



US00D610086S

(12) **United States Design Patent**
Heine et al.

(10) **Patent No.:** **US D610,086 S**
(45) **Date of Patent:** **** Feb. 16, 2010**

(54) **EQUIPMENT FOR DISTRIBUTION OF ELECTRIC POWER**

(75) Inventors: **Helmut Heine**, Diessen (DE); **Oliver Heine**, Herrsching (DE); **Dirk Schade**, Penzberg (DE); **Elsa Ploetz**, Andechs (DE); **Stefan Knesewitsch**, Herrsching (DE); **Norbert Merkt**, Breitbrunn (DE)

(73) Assignee: **Heine Optotechnik GmbH & Co. KG**, Herrsching (DE)

(**) Term: **14 Years**

(21) Appl. No.: **29/259,257**

(22) Filed: **May 5, 2006**

(30) **Foreign Application Priority Data**

Nov. 11, 2005 (EM) 000438593-0005

(51) **LOC (9) Cl.** **13-02**

(52) **U.S. Cl.** **D13/110**

(58) **Field of Classification Search** D13/110, D13/107, 108, 118, 119, 184, 199; D14/251, D14/434, 457; D24/137, 232; 307/150, 307/151; 320/114, 115

See application file for complete search history.

(56) **References Cited**

U.S. PATENT DOCUMENTS

3,056,893 A * 10/1962 Russ 307/150
D277,662 S * 2/1985 Huntington et al. D13/107

D349,682 S * 8/1994 Hunziker D13/110
D355,887 S * 2/1995 Rodeffer et al. D13/110
D396,033 S * 7/1998 Ahearn et al. D14/457
D474,280 S * 5/2003 Niedbala et al. D24/232
D483,725 S * 12/2003 Thompson et al. D13/184

OTHER PUBLICATIONS

Tischtransformator Heine EN 20-1, Heine Gesamtkatalog 2005, p. 109, printed in Germany in Nov. 2004.

Wandtransformator Heine EN 30, Heine Gesamtkatalog 2005, p. 109, printed in Germany in Nov. 2004.

* cited by examiner

Primary Examiner—Stella M Reid

Assistant Examiner—Derrick Holland

(74) *Attorney, Agent, or Firm*—Rothwell, Figg, Ernst & Manbeck, P.C.

(57) **CLAIM**

The ornamental design of equipment for distribution of electric power, as shown and described.

DESCRIPTION

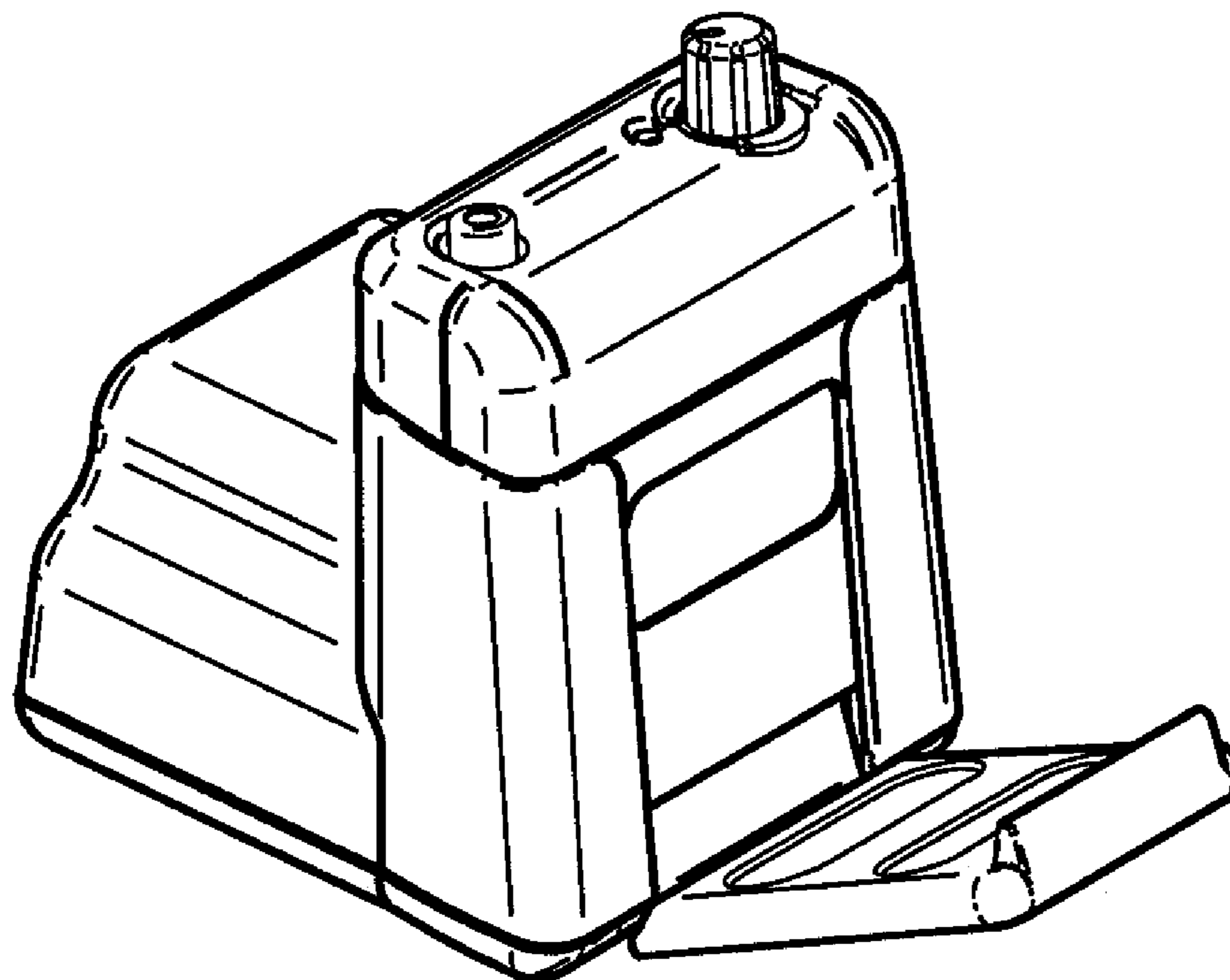
FIG. 1 is a perspective view of an equipment for distribution of electric power showing our new design;

FIG. 2 is a side elevation view thereof;

FIG. 3 is a rear elevation view thereof; and,

FIG. 4 is a top plan view thereof.

1 Claim, 1 Drawing Sheet



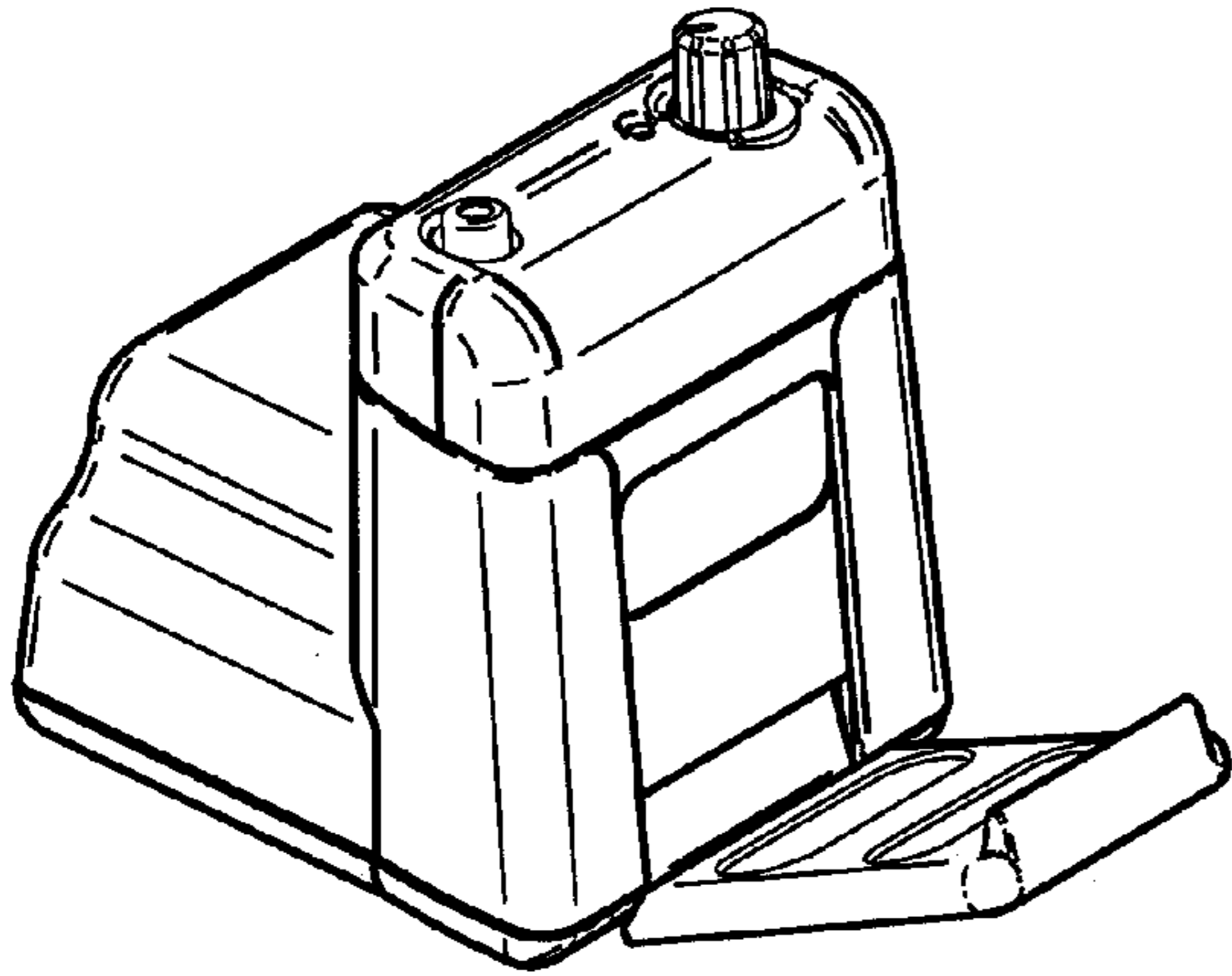


Fig. 1

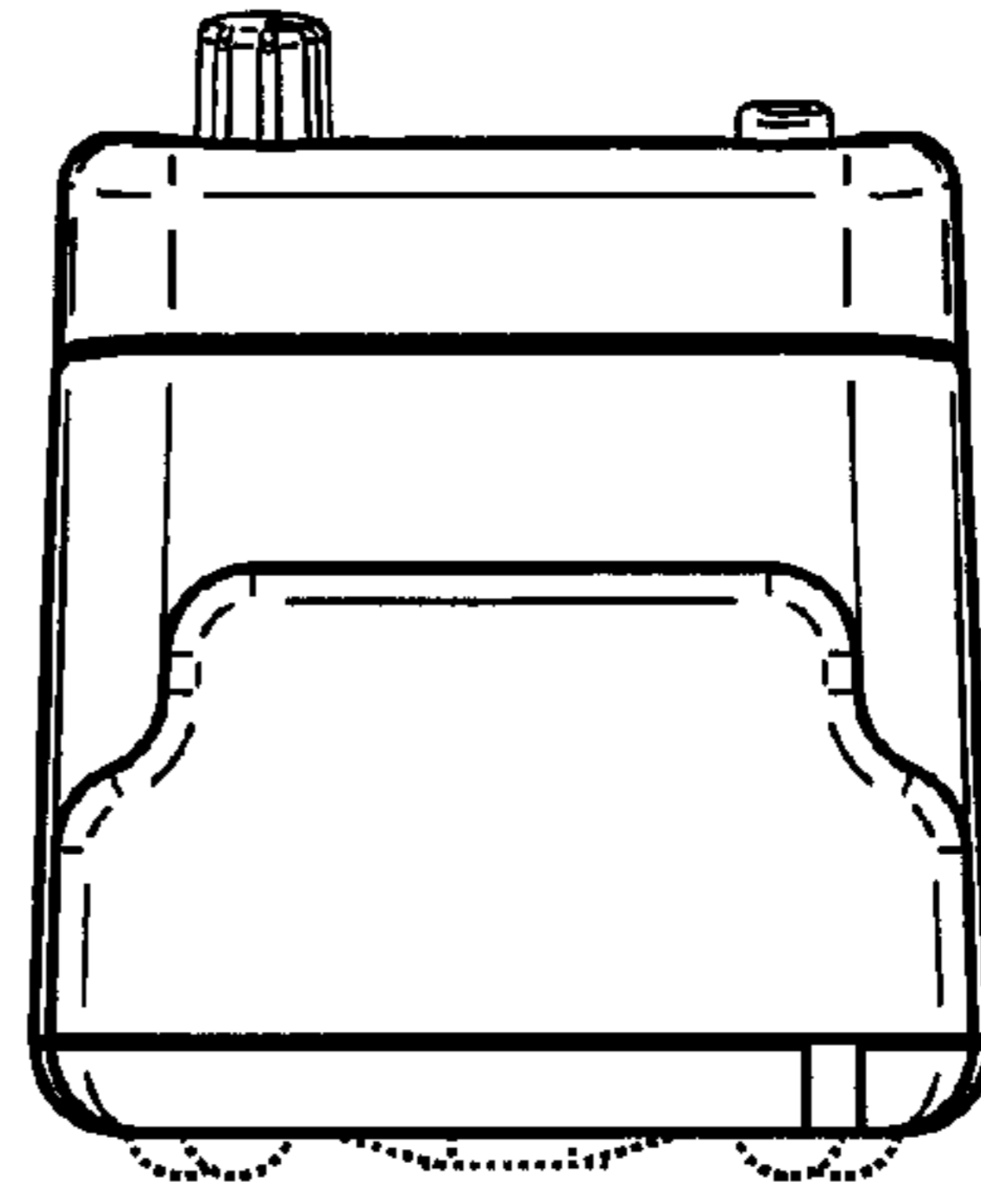


Fig. 3

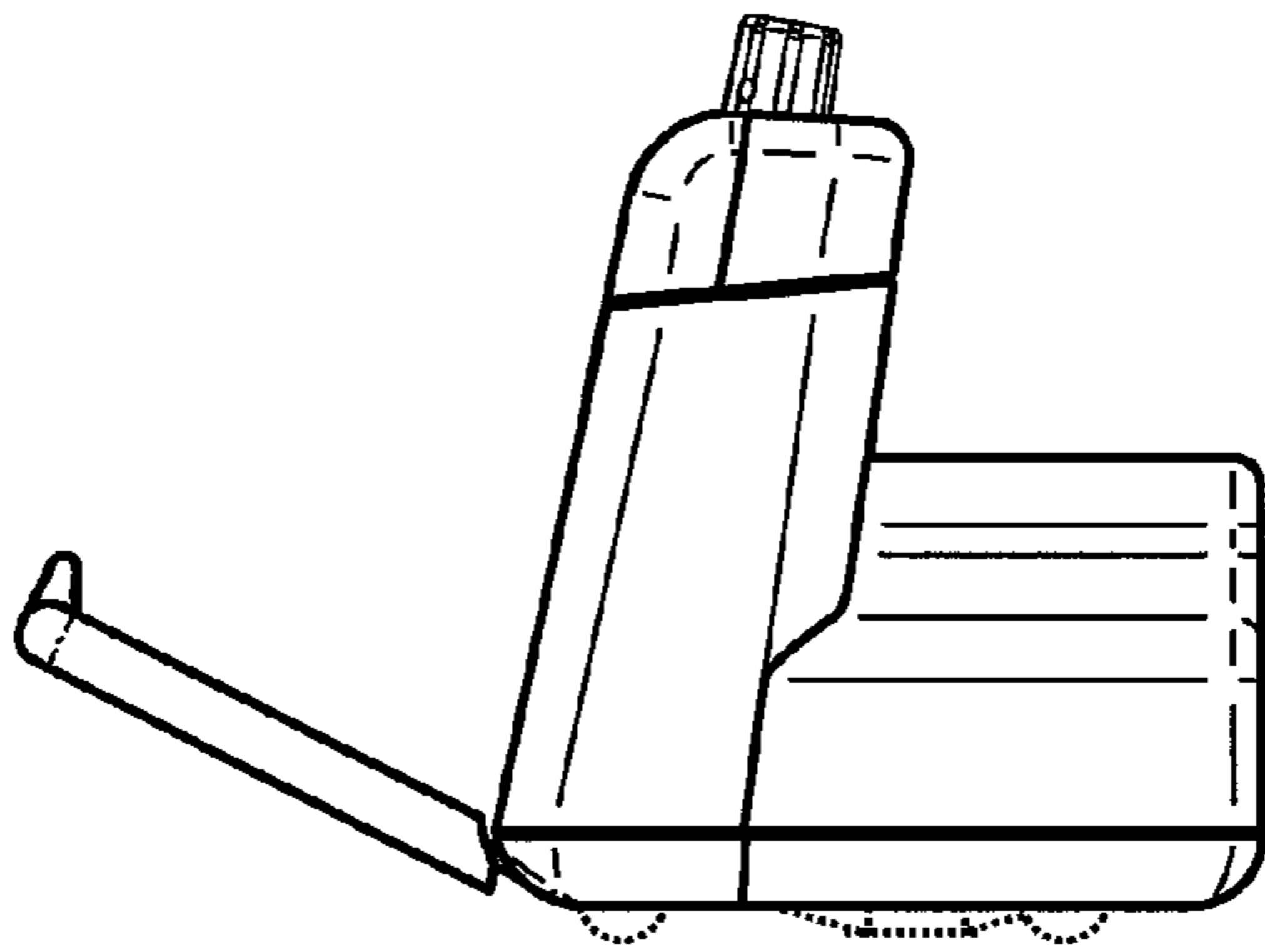


Fig. 2

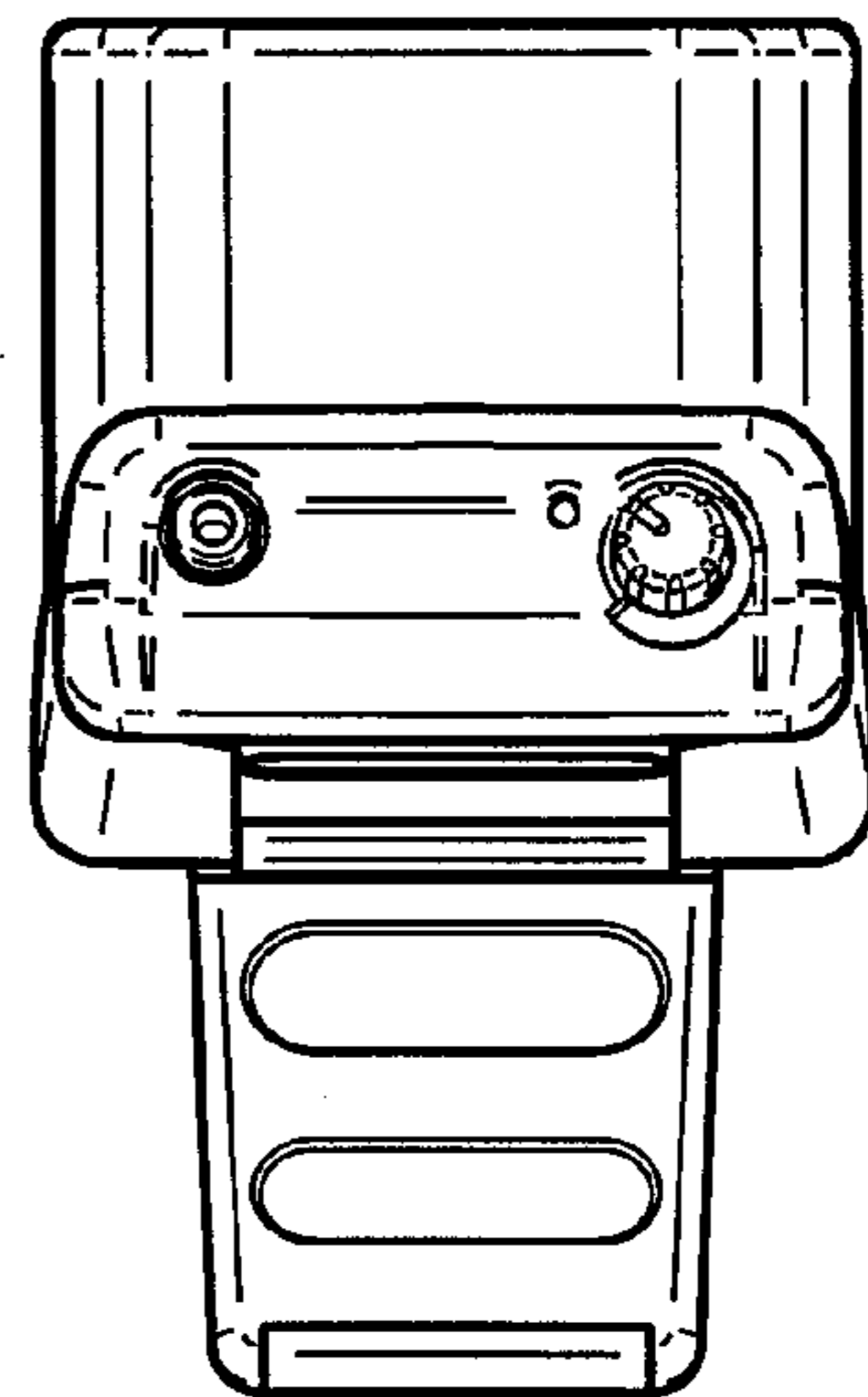


Fig. 4