



US00D610085S

(12) **United States Design Patent**
Sweeney

(10) **Patent No.:** **US D610,085 S**

(45) **Date of Patent:** **** Feb. 16, 2010**

(54) **BATTERY CHARGER**

(75) Inventor: **Sean Sweeney**, Durham (GB)

(73) Assignee: **Black & Decker Inc.**, Newark, DE (US)

(**) Term: **14 Years**

(21) Appl. No.: **29/337,000**

(22) Filed: **May 13, 2009**

(30) **Foreign Application Priority Data**

Nov. 14, 2008 (EM) 001039341-0001

(51) **LOC (9) Cl.** **13-02**

(52) **U.S. Cl.** **D13/107**

(58) **Field of Classification Search** D13/102-103,
D13/107-110, 118-119, 133, 144, 184; D14/251,
D14/253, 432, 434; 320/107-115
See application file for complete search history.

(56) **References Cited**

U.S. PATENT DOCUMENTS

5,742,149	A *	4/1998	Simpson	320/113
6,346,793	B1 *	2/2002	Shibata et al.	320/113
D541,214	S *	4/2007	Ino et al.	D13/107
D548,687	S *	8/2007	Okuda et al.	D13/107
7,535,197	B2 *	5/2009	Huang	320/115
2003/0178968	A1 *	9/2003	Sakakibara et al.	320/110
2008/0174269	A1 *	7/2008	DeRome et al.	320/110
2008/0290836	A1 *	11/2008	Tsai et al.	320/114

* cited by examiner

Primary Examiner—Rosemary K Tarca

(74) *Attorney, Agent, or Firm*—John Yun; Bruce S. Shapiro; Wesley Muller

(57) **CLAIM**

The ornamental design for a battery charger, as shown and described.

DESCRIPTION

FIG. 1 is a perspective view of a battery charger showing my new design.

FIG. 2 is a left side view of the battery charger according to FIG. 1.

FIG. 3 is a right side view of the battery charger according to FIG. 1.

FIG. 4 is a front view of the battery charger according to FIG. 1.

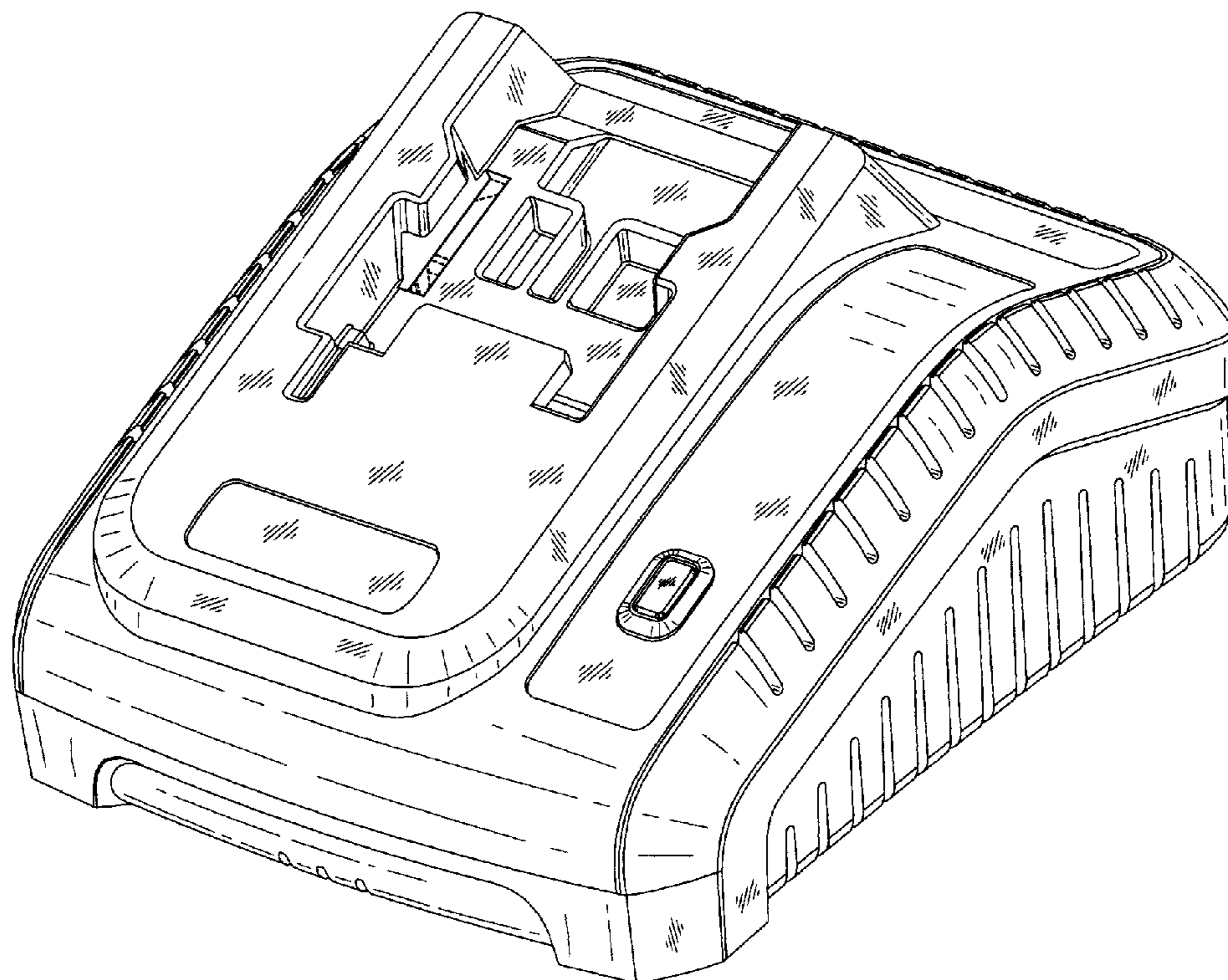
FIG. 5 is a rear view of the battery charger according to FIG. 1.

FIG. 6 is a top view of the battery charger according to FIG. 1; and,

FIG. 7 is a bottom view of the battery charger according to FIG. 1.

The broken lines shown in the drawings are included for the purpose of illustrating environmental structure and form no part of the claimed design.

1 Claim, 6 Drawing Sheets



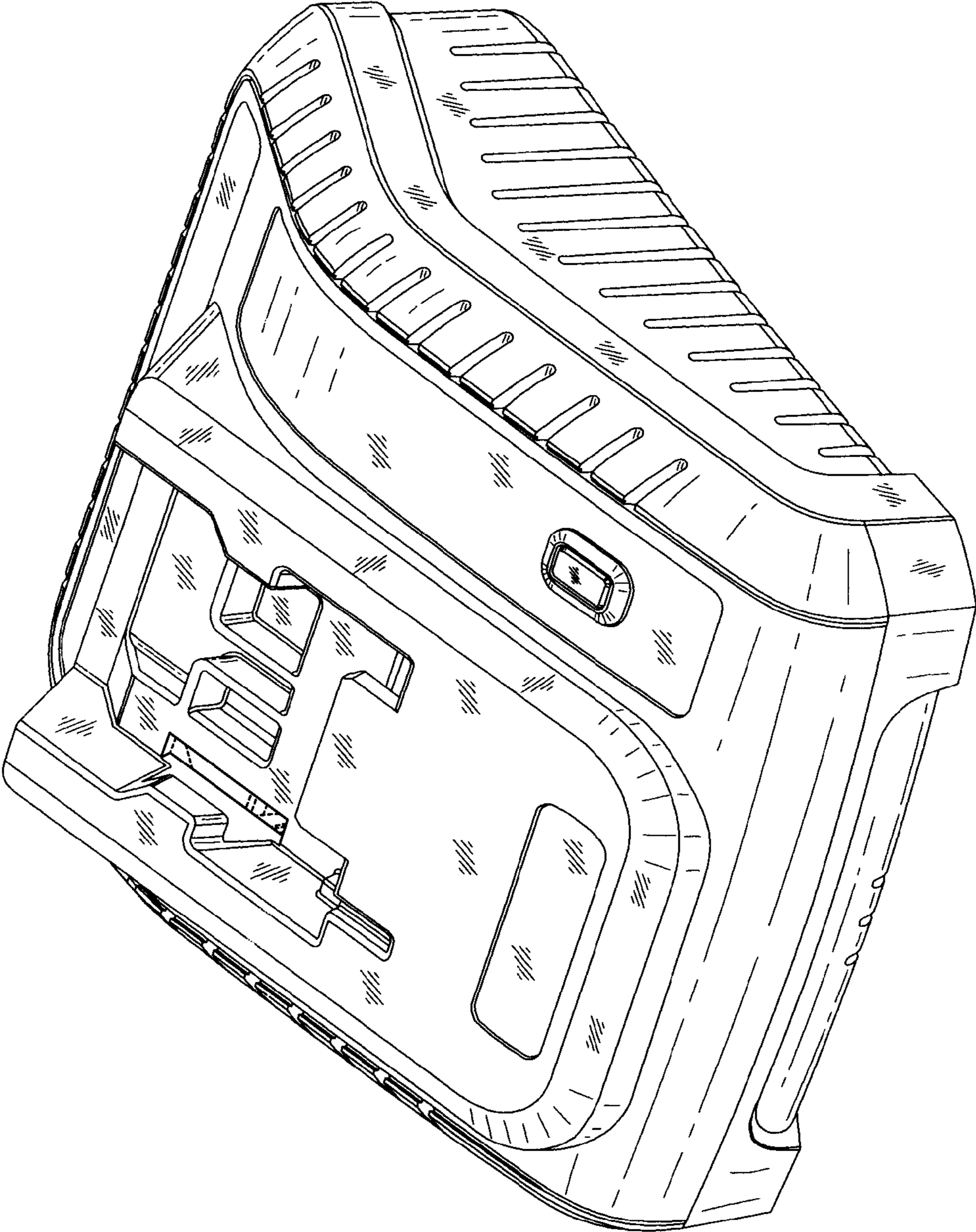


FIG.1

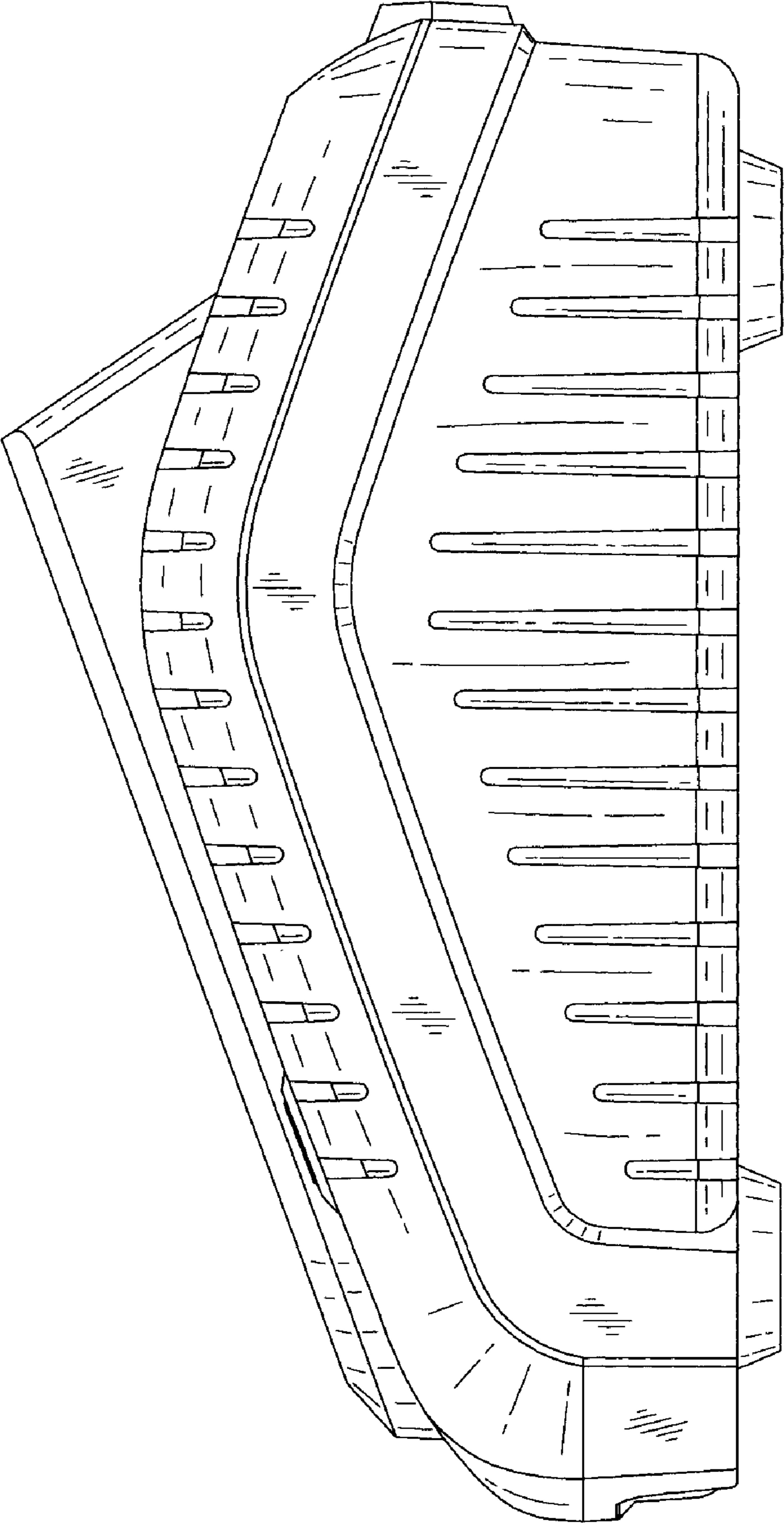


FIG.2

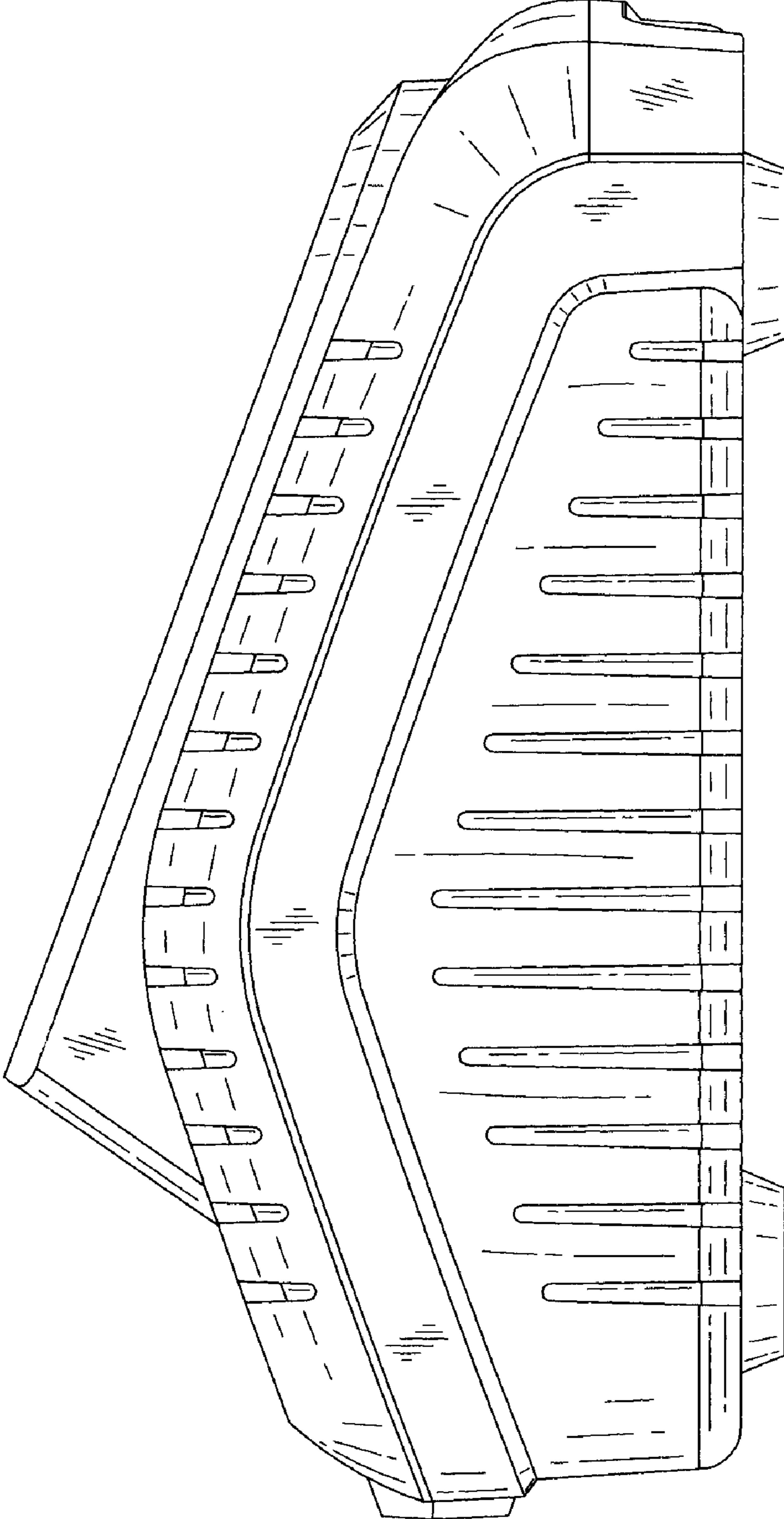


FIG.3

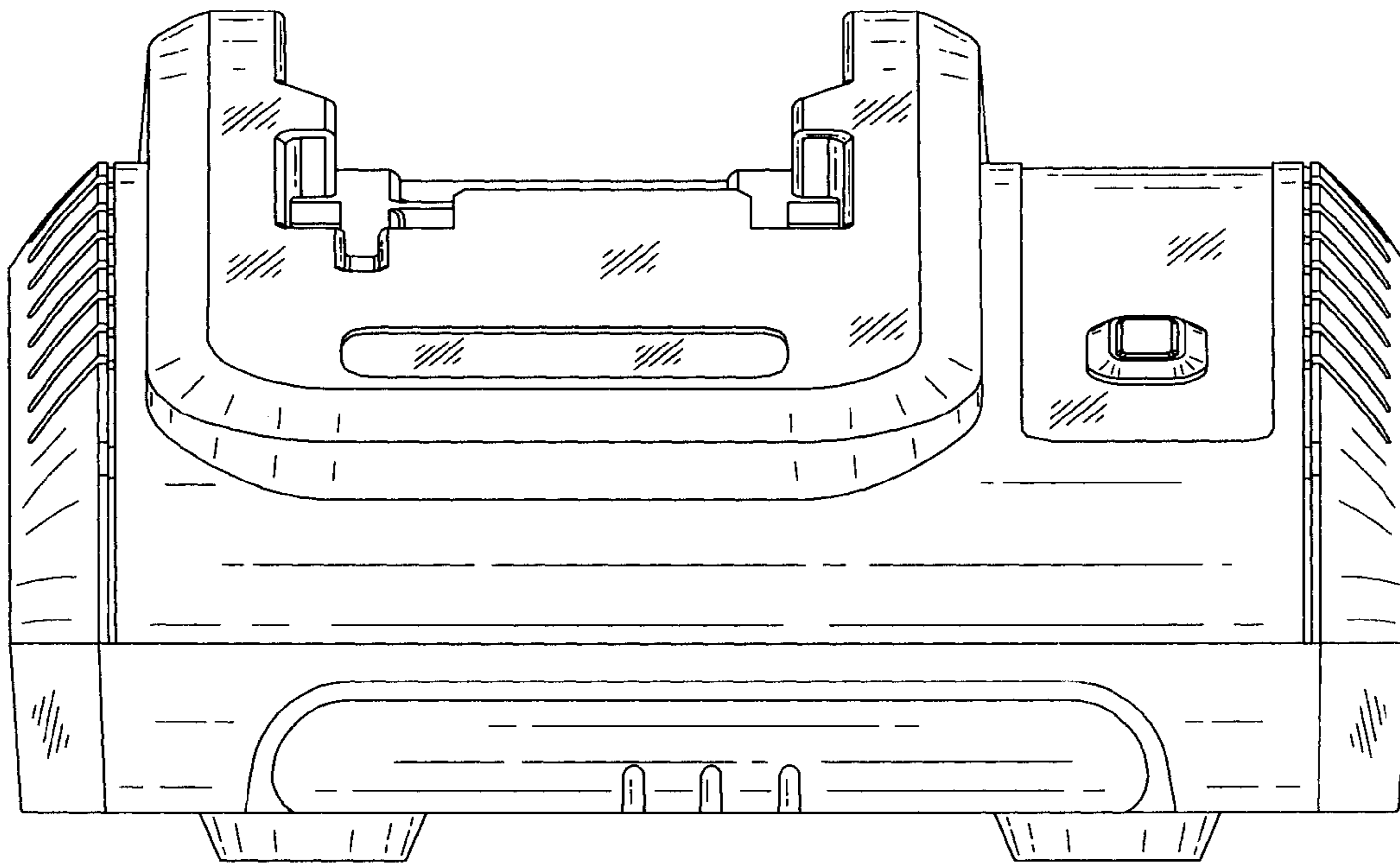


FIG. 4

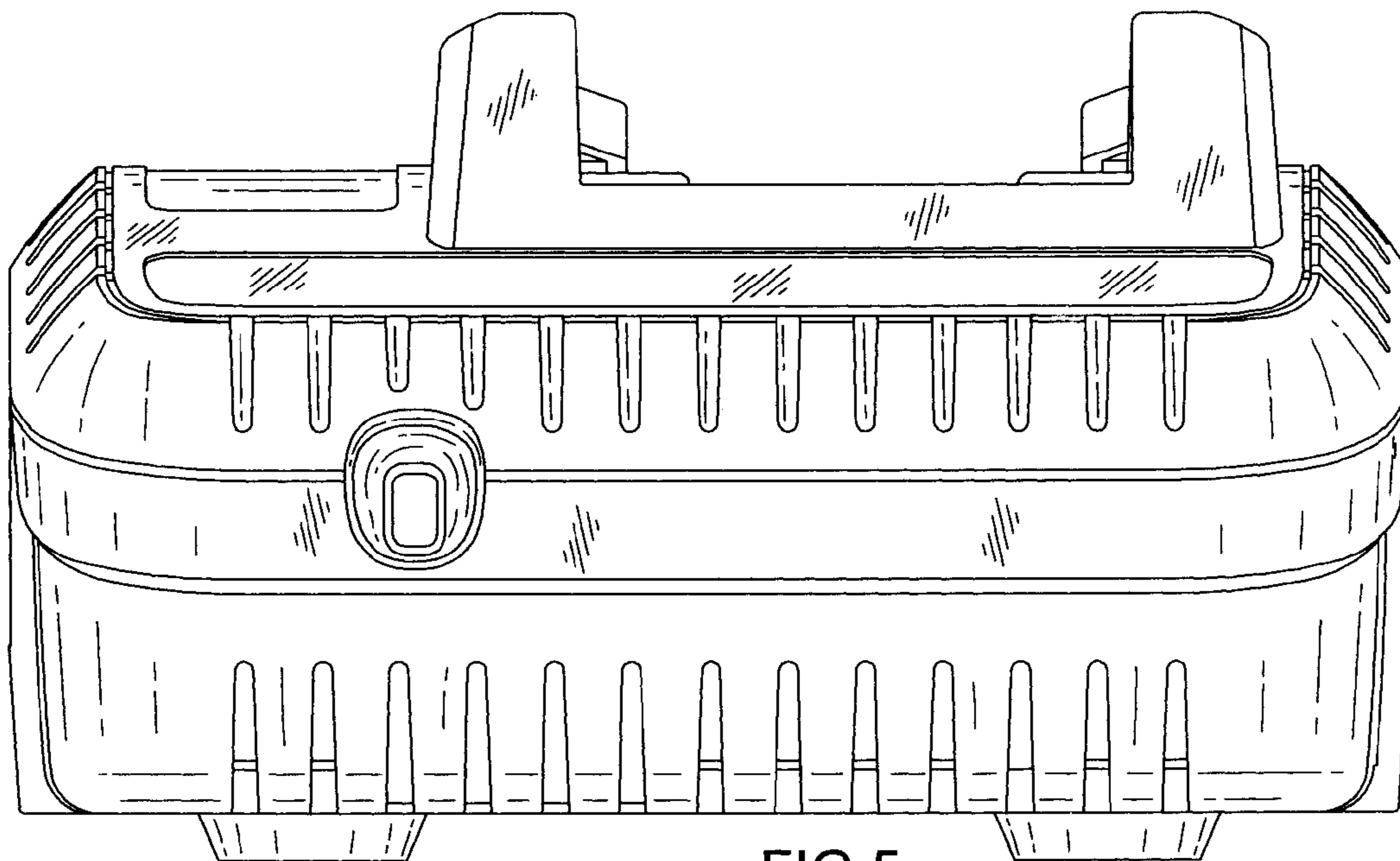


FIG. 5

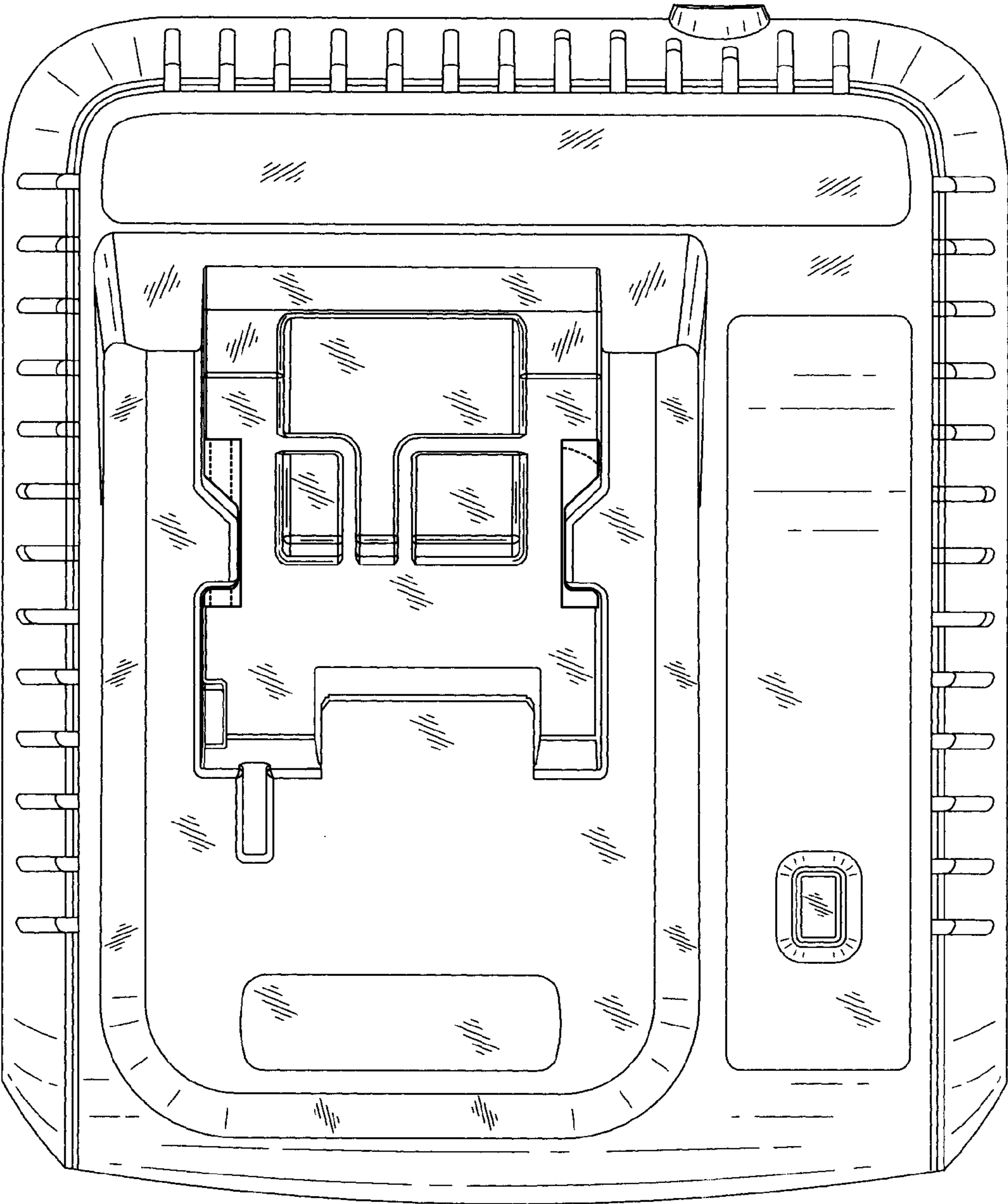


FIG.6

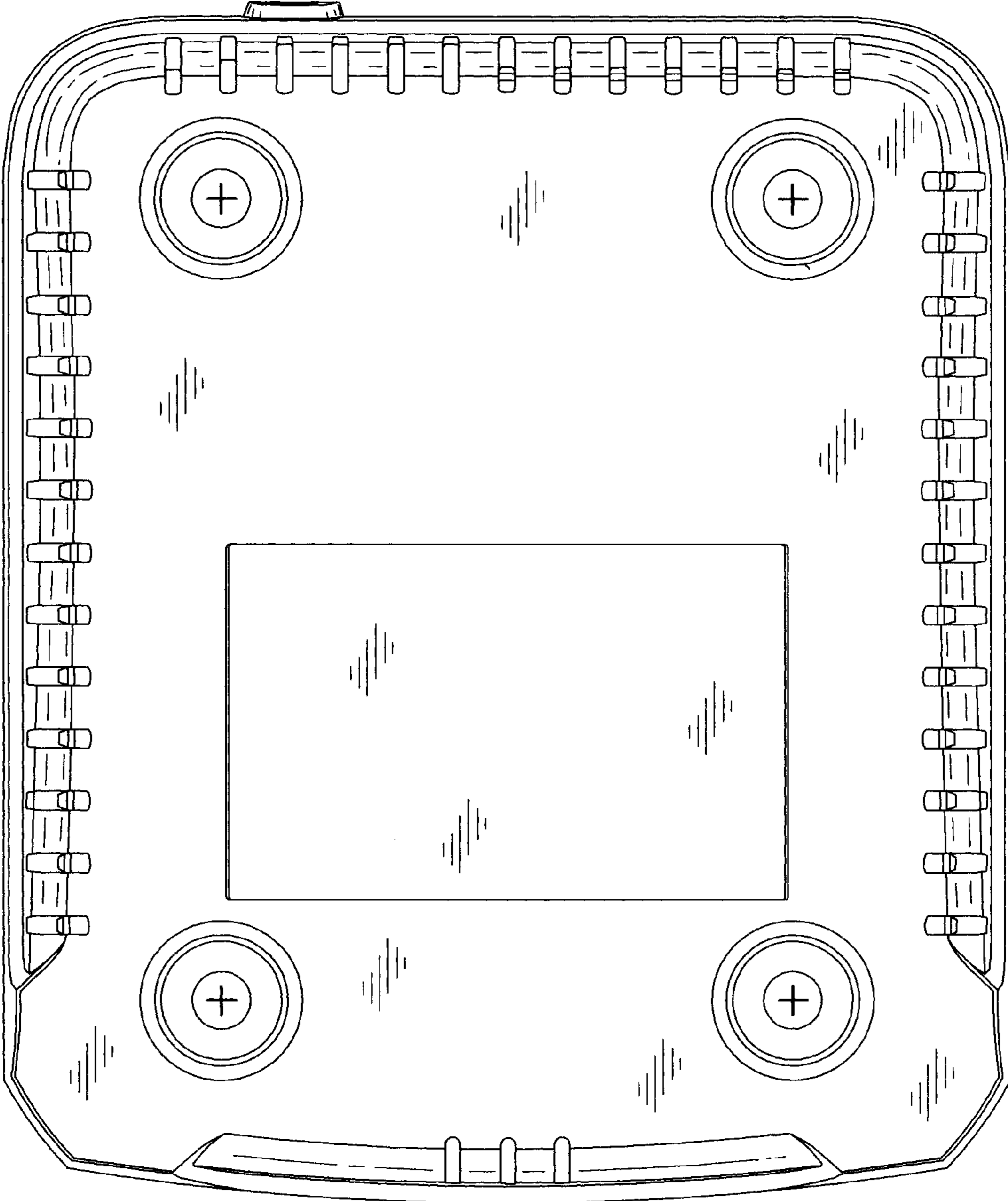


FIG.7