



US00D610084S

(12) **United States Design Patent**
Christopher

(10) **Patent No.:** **US D610,084 S**

(45) **Date of Patent:** **** Feb. 16, 2010**

(54) **CHARGING STAND**

(75) Inventor: **Stephen M. Christopher**, Chicago, IL (US)

(73) Assignee: **Motorola, Inc.**, Schaumburg, IL (US)

(**) Term: **14 Years**

(21) Appl. No.: **29/296,290**

(22) Filed: **Oct. 17, 2007**

(51) **LOC (9) Cl.** **13-02**

(52) **U.S. Cl.** **D13/107**

(58) **Field of Classification Search** D13/102,
D13/107-110, 118-119, 184; D14/251,
D14/253, 432, 434; 320/107-115

See application file for complete search history.

(56) **References Cited**

U.S. PATENT DOCUMENTS

D277,662 S *	2/1985	Huntington et al.	D13/107
D335,861 S *	5/1993	Tattari	D13/108
D453,155 S *	1/2002	Michel	D14/253
D458,600 S *	6/2002	Freitag et al.	D14/314
D465,532 S *	11/2002	Hussaini et al.	D21/333
D489,325 S *	5/2004	Nakamura	D13/110
D535,615 S *	1/2007	Iwai	D13/108

D551,617 S *	9/2007	Houghton	D13/108
D553,106 S *	10/2007	Griffin	D14/434

* cited by examiner

Primary Examiner—Rosemary K Tarca

(57) **CLAIM**

The ornamental design for a charging stand, as shown and described.

DESCRIPTION

FIG. 1 is a perspective view of an ornamental design for a charging stand.

FIG. 2 is a top view thereof.

FIG. 3 is a bottom view thereof.

FIG. 4 is a first side view thereof.

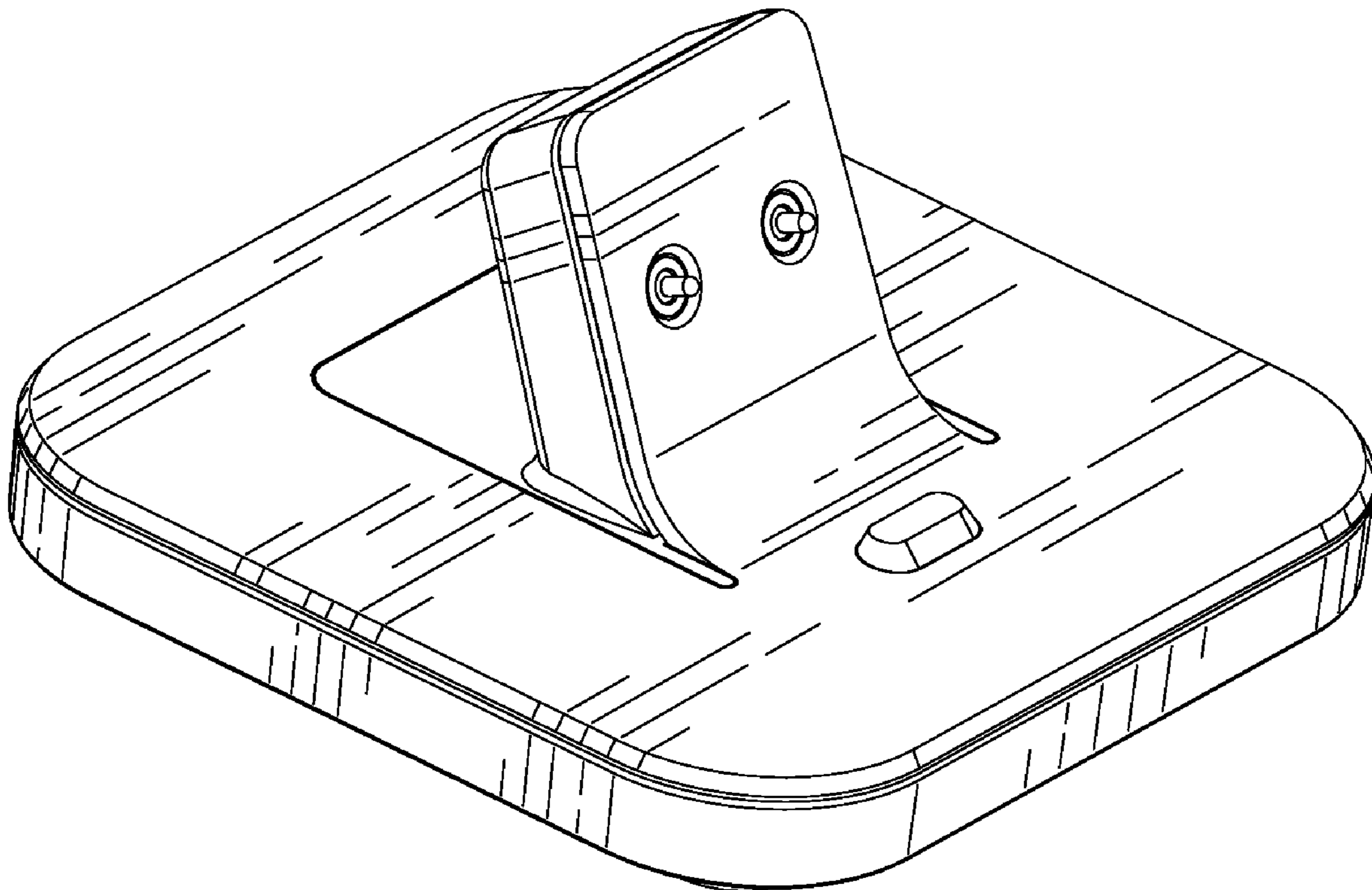
FIG. 5 is a second side view thereof.

FIG. 6 is a front view thereof; and,

FIG. 7 is a rear view thereof.

The broken lines shown in FIGS. 1-7 that are immediately adjacent to the shaded areas represent the bound of the claimed design, while all other broken lines are directed to environment and are for illustrative purposes only; the broken lines form no part of the claim design.

1 Claim, 4 Drawing Sheets



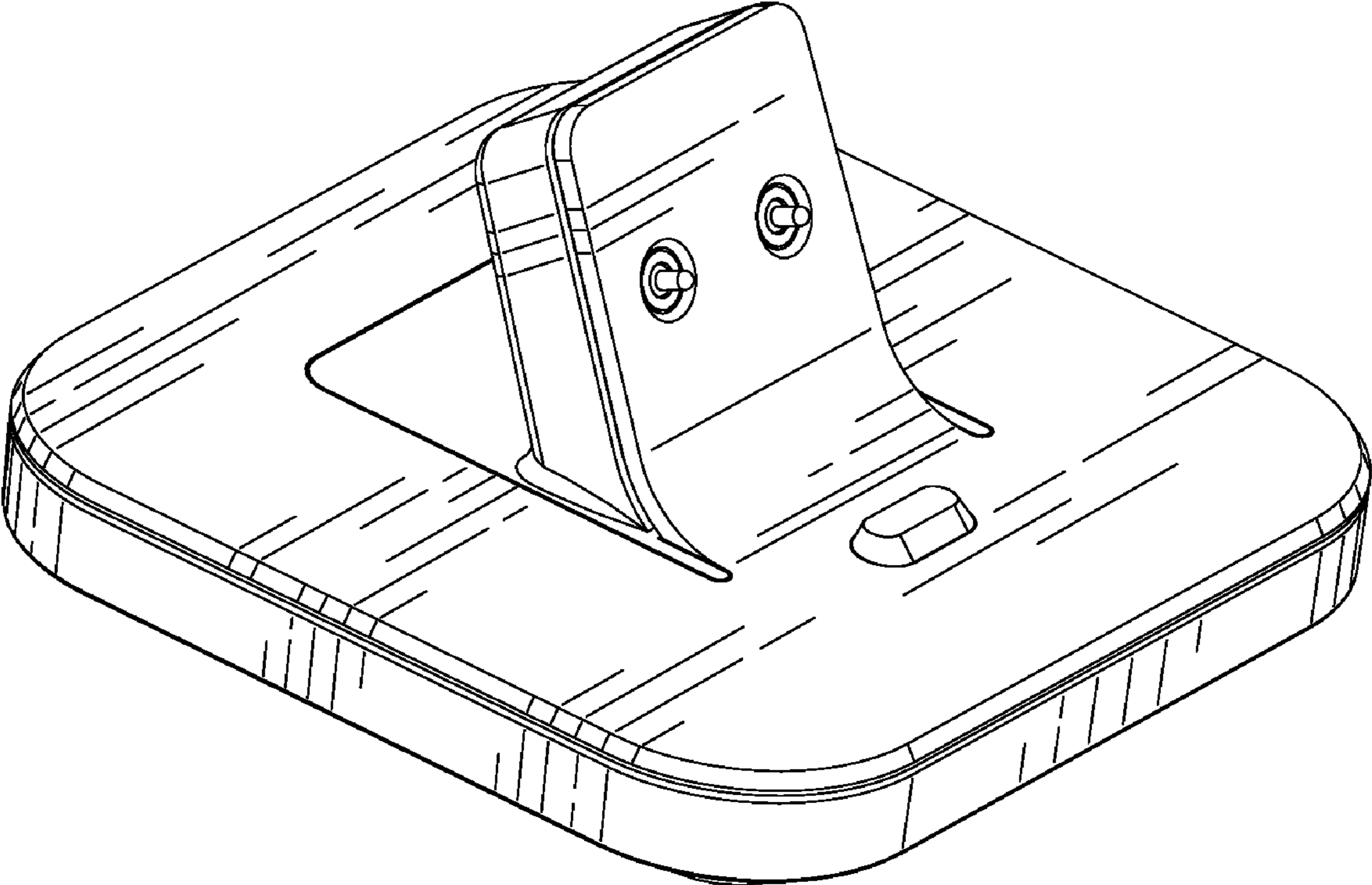


FIG. 1

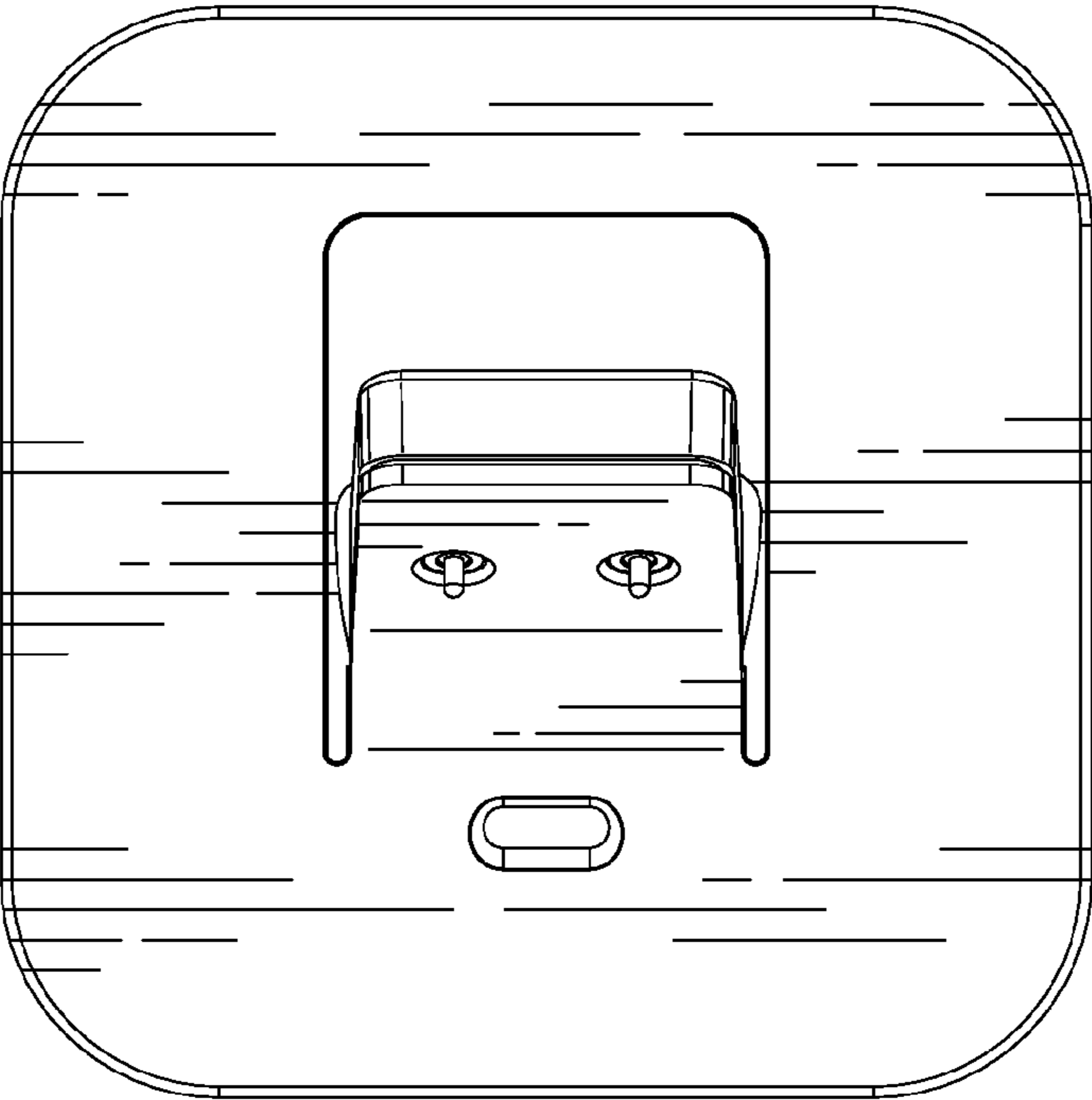


FIG. 2

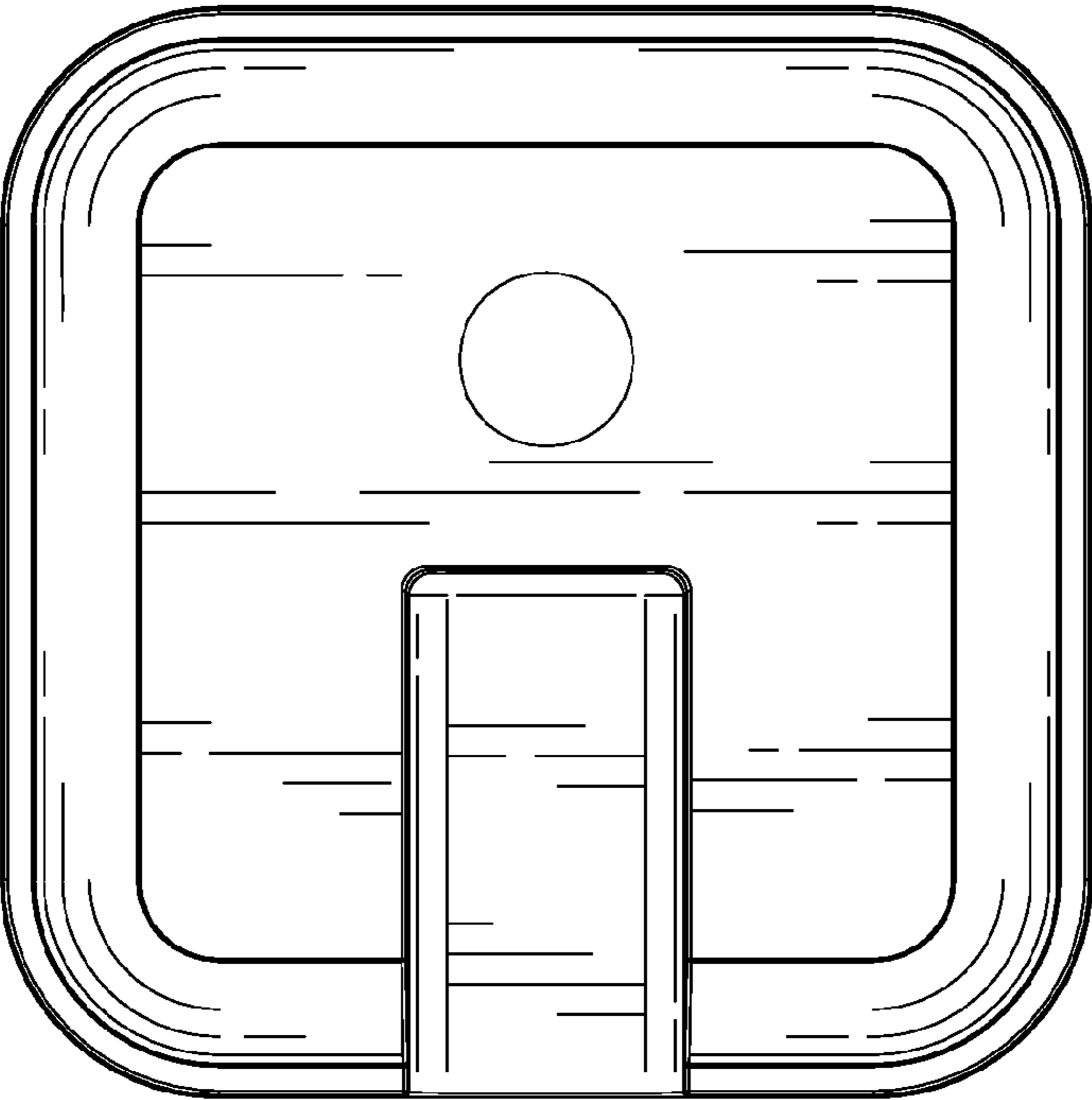


FIG. 3

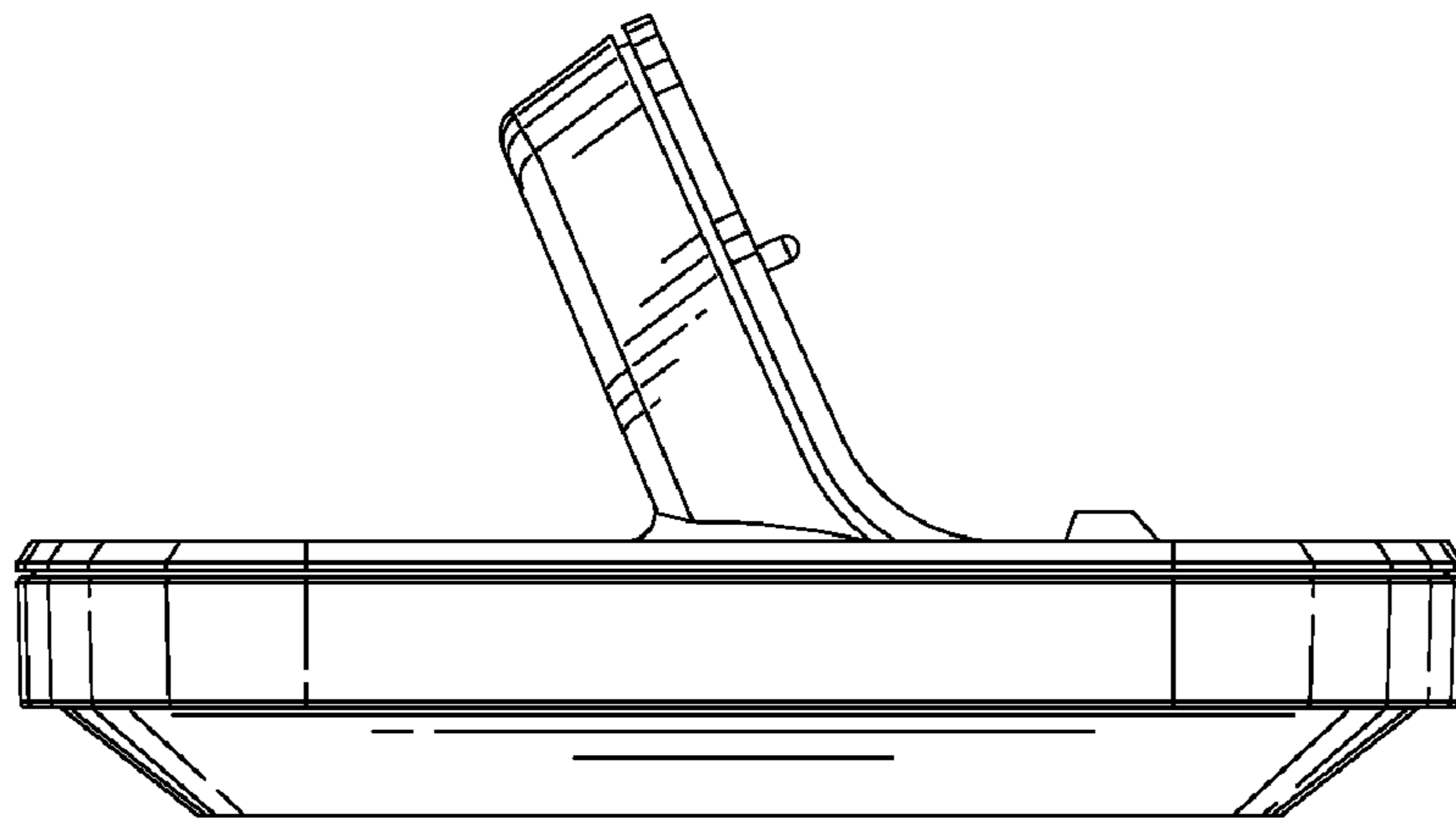


FIG. 4

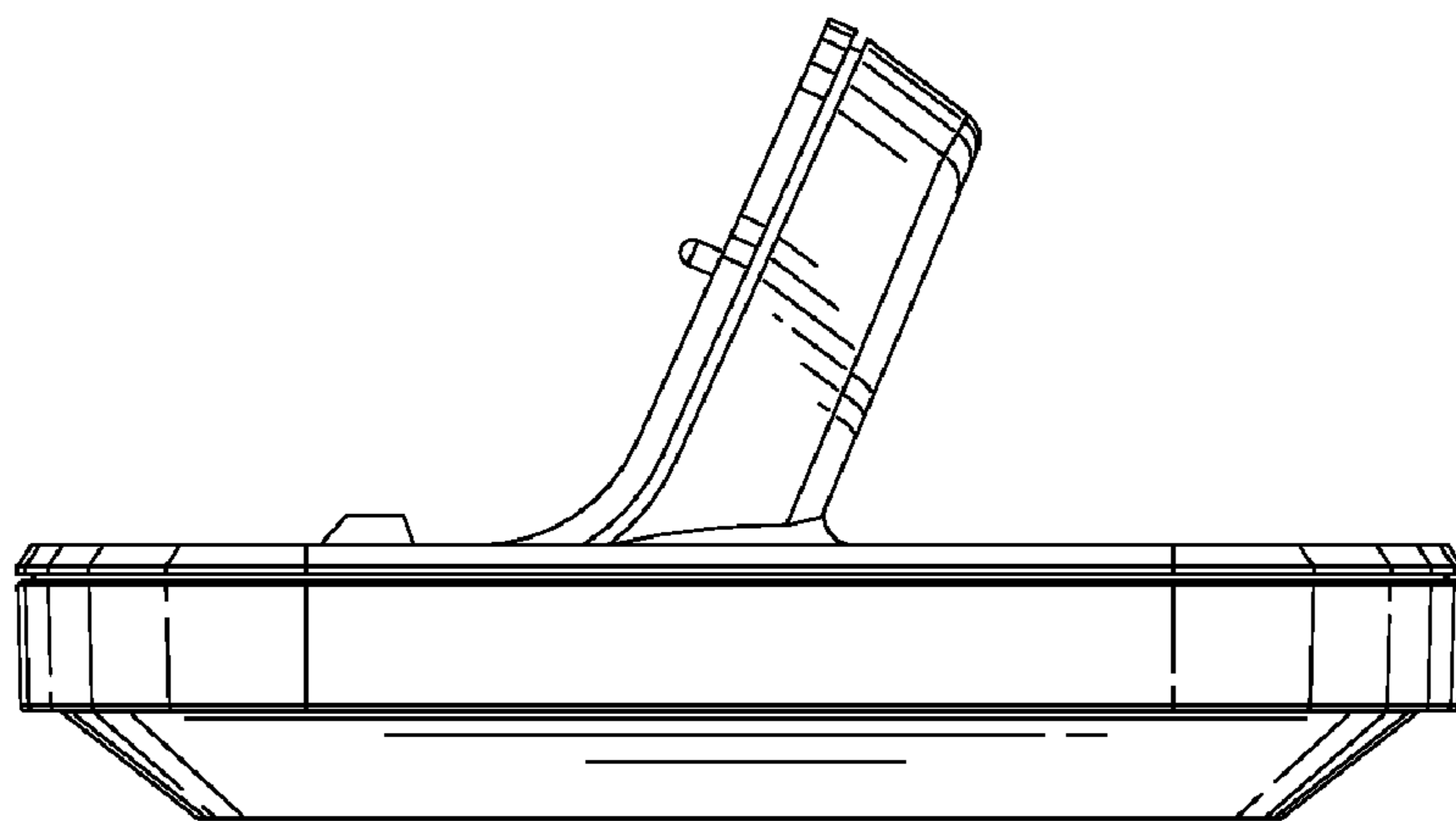


FIG. 5

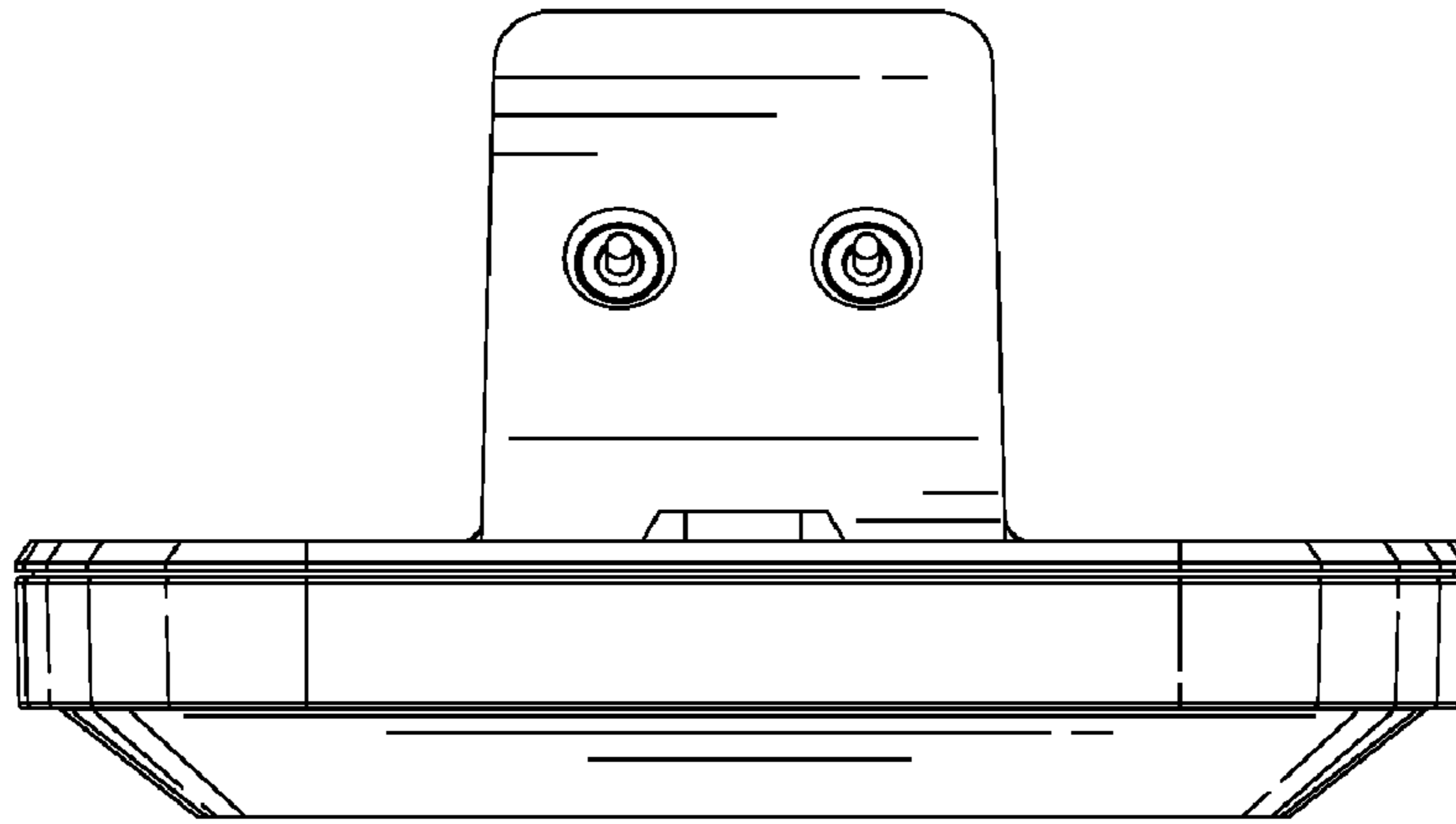


FIG. 6

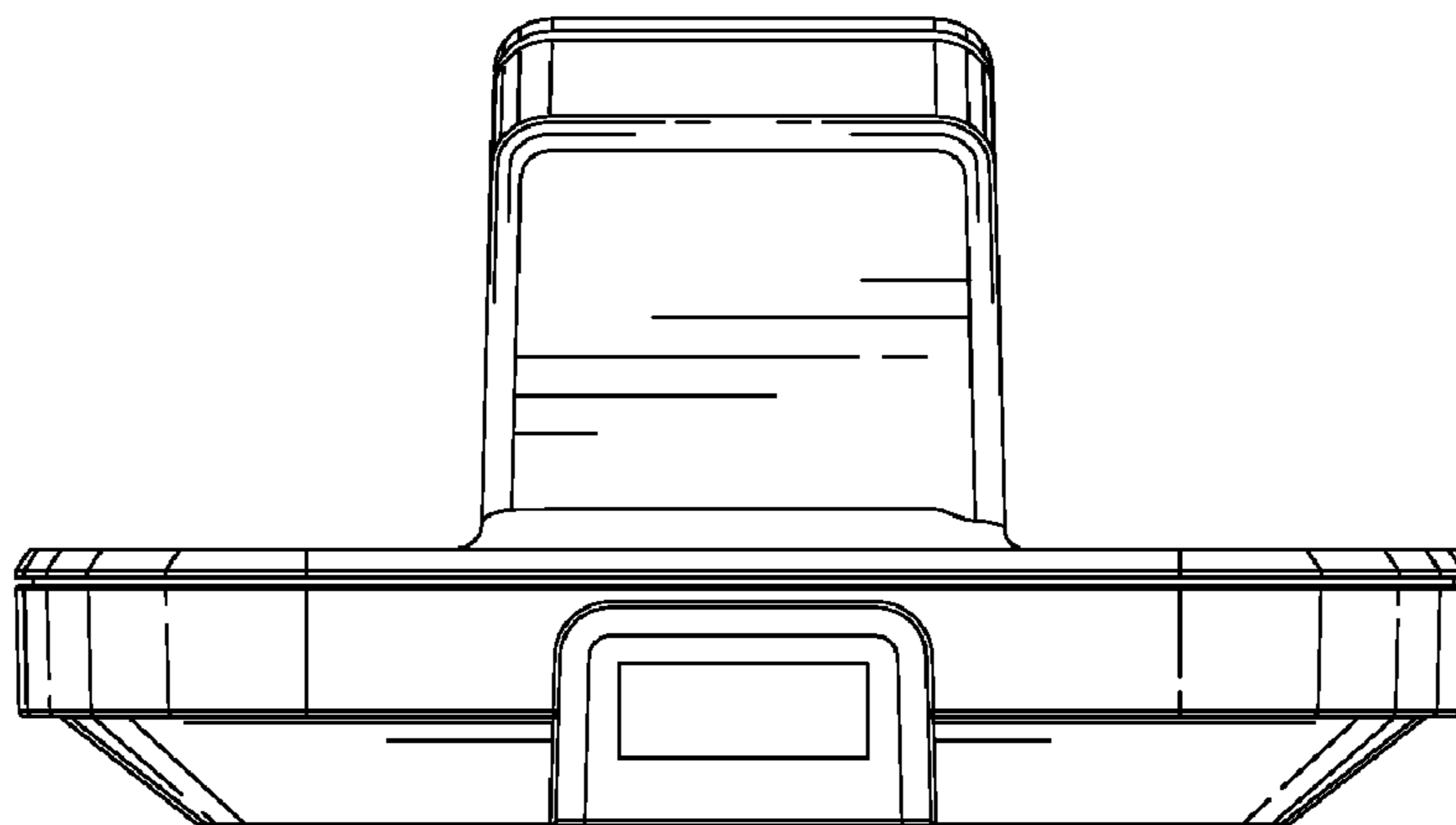


FIG. 7