



US00D610082S

(12) **United States Design Patent**
Sweeney

(10) **Patent No.:** **US D610,082 S**

(45) **Date of Patent:** **** Feb. 16, 2010**

(54) **BATTERY PACK**

(75) Inventor: **Sean Sweeney**, Durham (GB)

(73) Assignee: **Black & Decker Inc.**, Newark, DE (US)

(**) Term: **14 Years**

(21) Appl. No.: **29/336,993**

(22) Filed: **May 13, 2009**

(30) **Foreign Application Priority Data**

Nov. 14, 2008 (EM) 001039226-0001

(51) **LOC (9) Cl.** **13-02**

(52) **U.S. Cl.** **D13/103**

(58) **Field of Classification Search** D13/102-106,
D13/110, 118-119, 184; 429/96-100, 163,
429/176

See application file for complete search history.

(56) **References Cited**

U.S. PATENT DOCUMENTS

D477,811 S *	7/2003	Niwa et al.	D13/103
D481,672 S *	11/2003	Niwa et al.	D13/103
D511,744 S *	11/2005	Hsu et al.	D13/108
D512,373 S *	12/2005	Tsai et al.	D13/108
D516,020 S *	2/2006	Wong et al.	D13/103
D516,504 S *	3/2006	Okuda et al.	D13/103
D523,807 S *	6/2006	Murayama et al.	D13/103
D535,250 S *	1/2007	Watson	D13/103
D545,759 S *	7/2007	Ino et al.	D13/103
D550,152 S *	9/2007	Okuda et al.	D13/103
D555,086 S *	11/2007	Zhang	D13/103
D562,227 S *	2/2008	Yamada et al.	D13/103

D562,228 S *	2/2008	Okada et al.	D13/103
D568,239 S *	5/2008	Okada et al.	D13/103
D589,439 S *	3/2009	Van Wambeke	D13/103
D589,440 S *	3/2009	Van Wambeke	D13/103
D589,441 S *	3/2009	Van Wambeke	D13/103

* cited by examiner

Primary Examiner—Rosemary K Tarcza

(74) *Attorney, Agent, or Firm*—John Yun; Bruce S. Shapiro;
Wesley Muller

(57) **CLAIM**

The ornamental design for a battery pack, as shown and described.

DESCRIPTION

FIG. 1 is a perspective view of a battery pack showing my new design.

FIG. 2 is a left side view of the battery pack according to FIG. 1.

FIG. 3 is a right side view of the battery pack according to FIG. 1.

FIG. 4 is a front view of the battery pack according to FIG. 1.

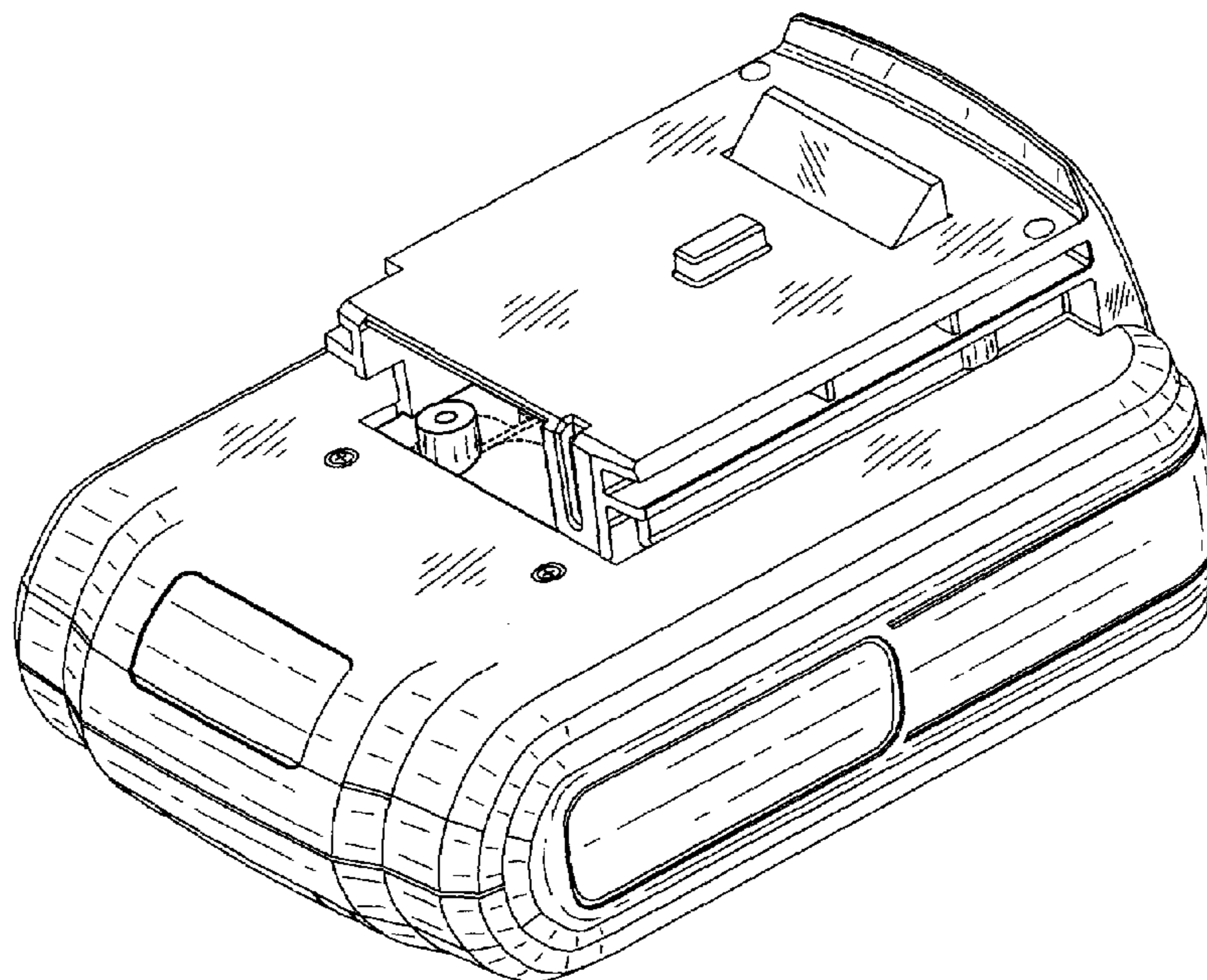
FIG. 5 is a rear view of the battery pack according to FIG. 1.

FIG. 6 is a top view of the battery pack according to FIG. 1; and,

FIG. 7 is a bottom view of the battery pack according to FIG. 1.

The broken lines shown in the drawings are included for the purpose of illustrating environmental structure and form no part of the claimed design.

1 Claim, 5 Drawing Sheets



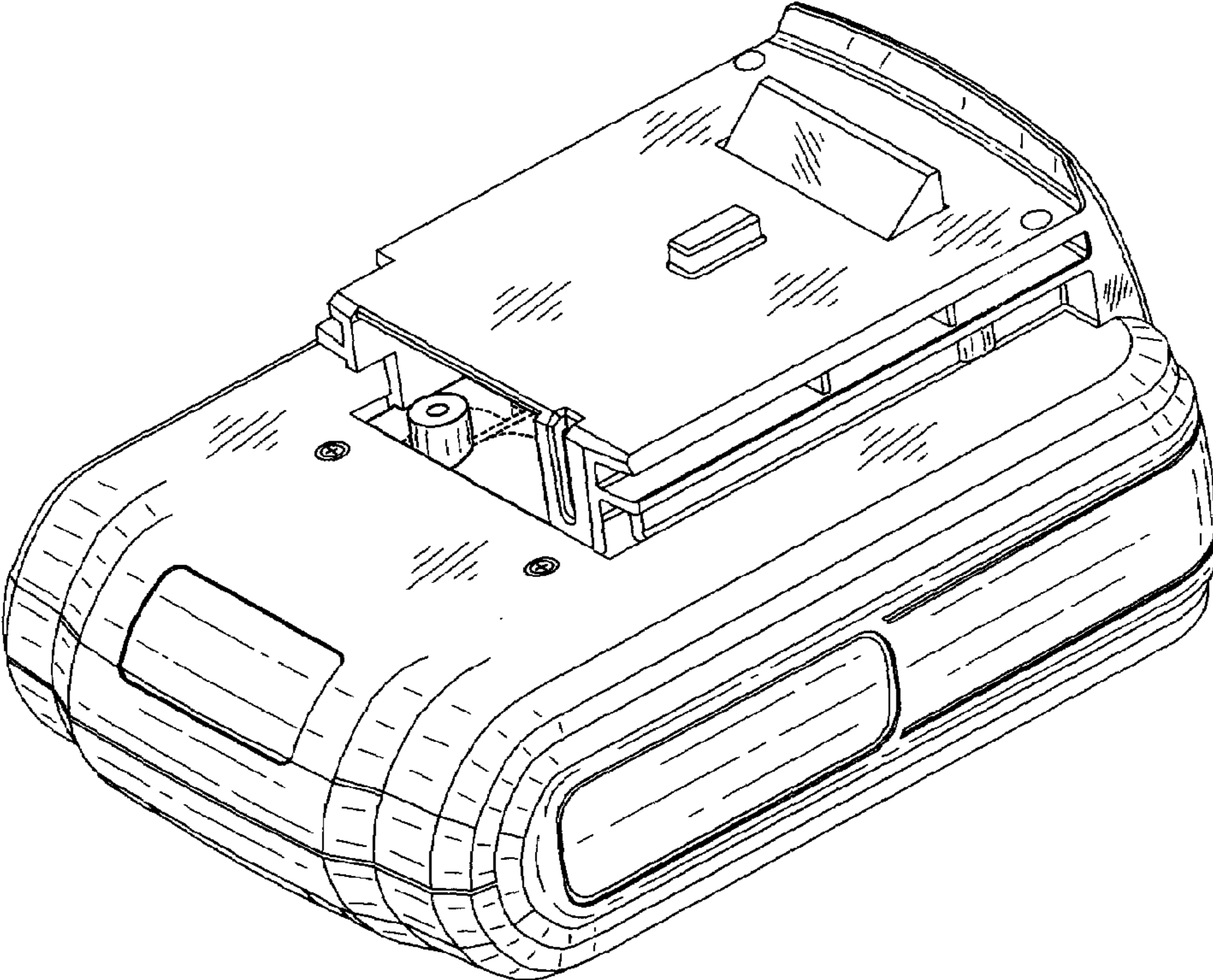


FIG.1

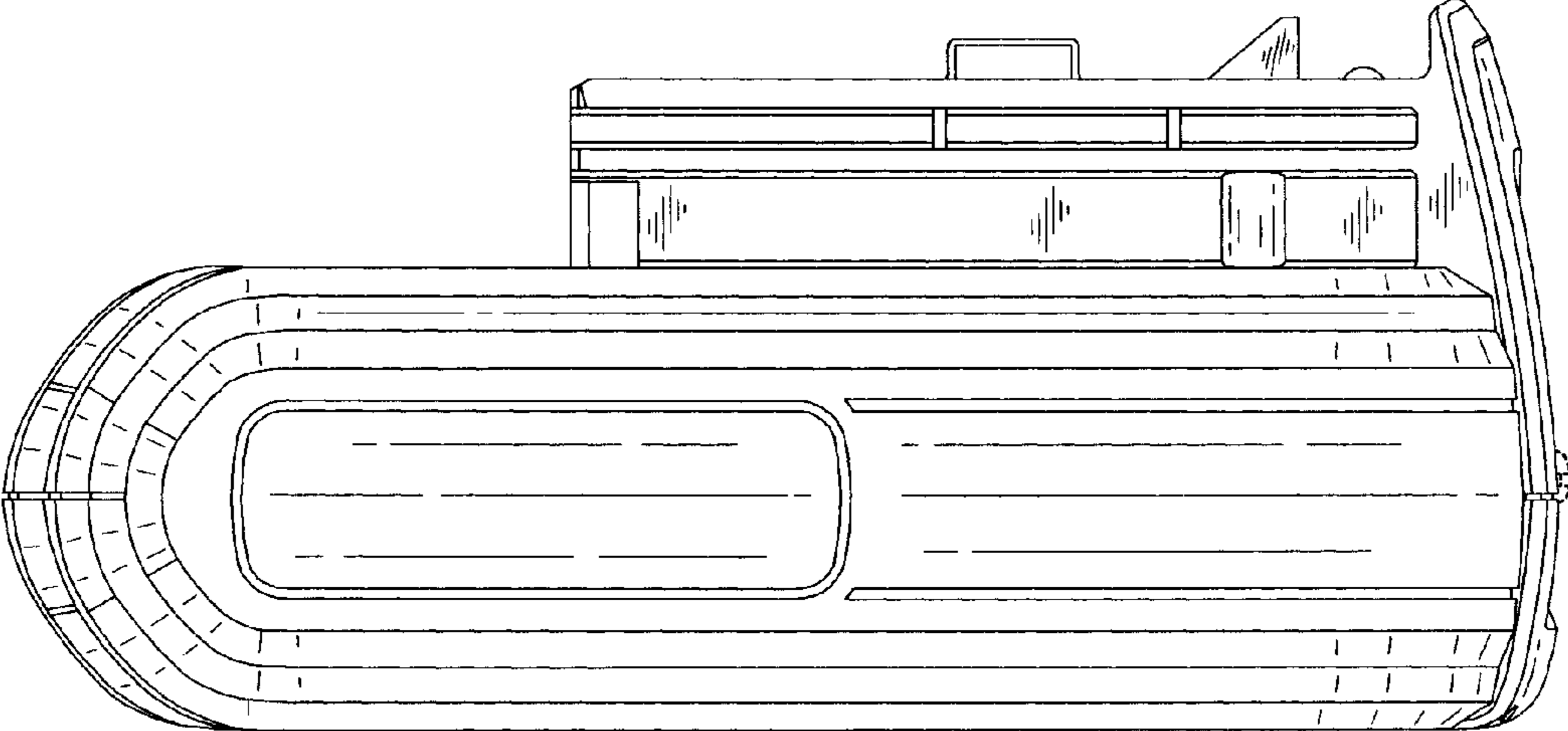


FIG.2

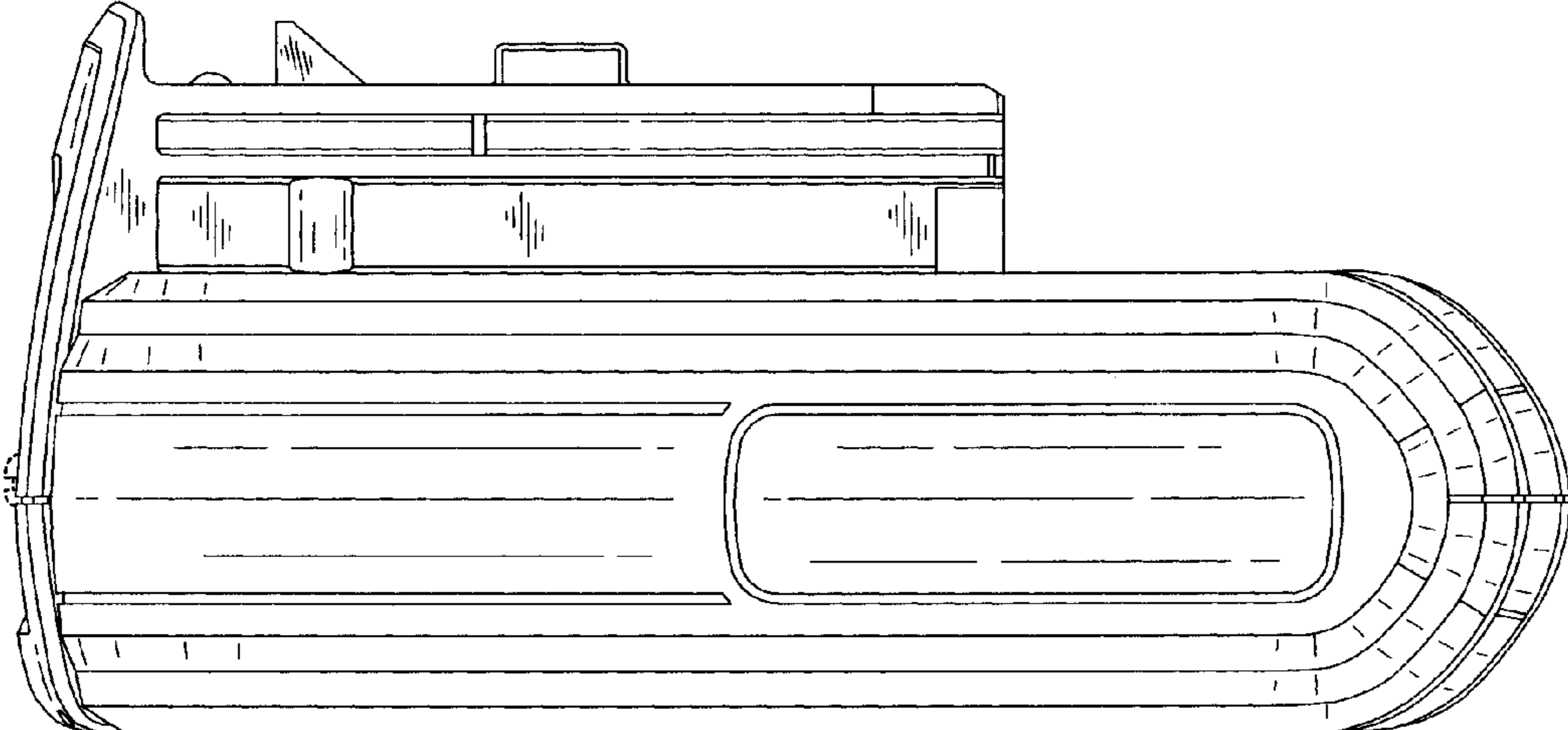


FIG.3

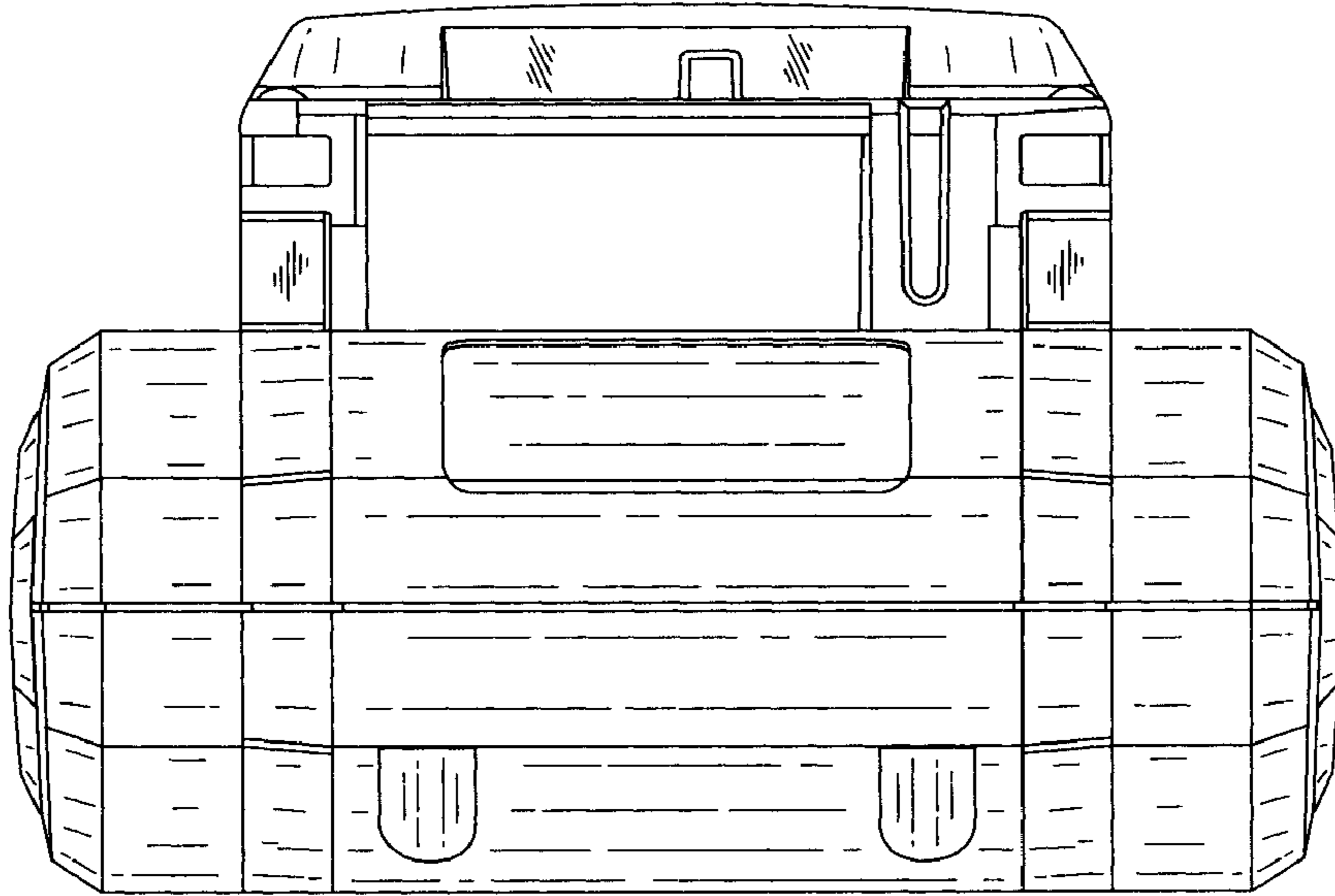


FIG. 4

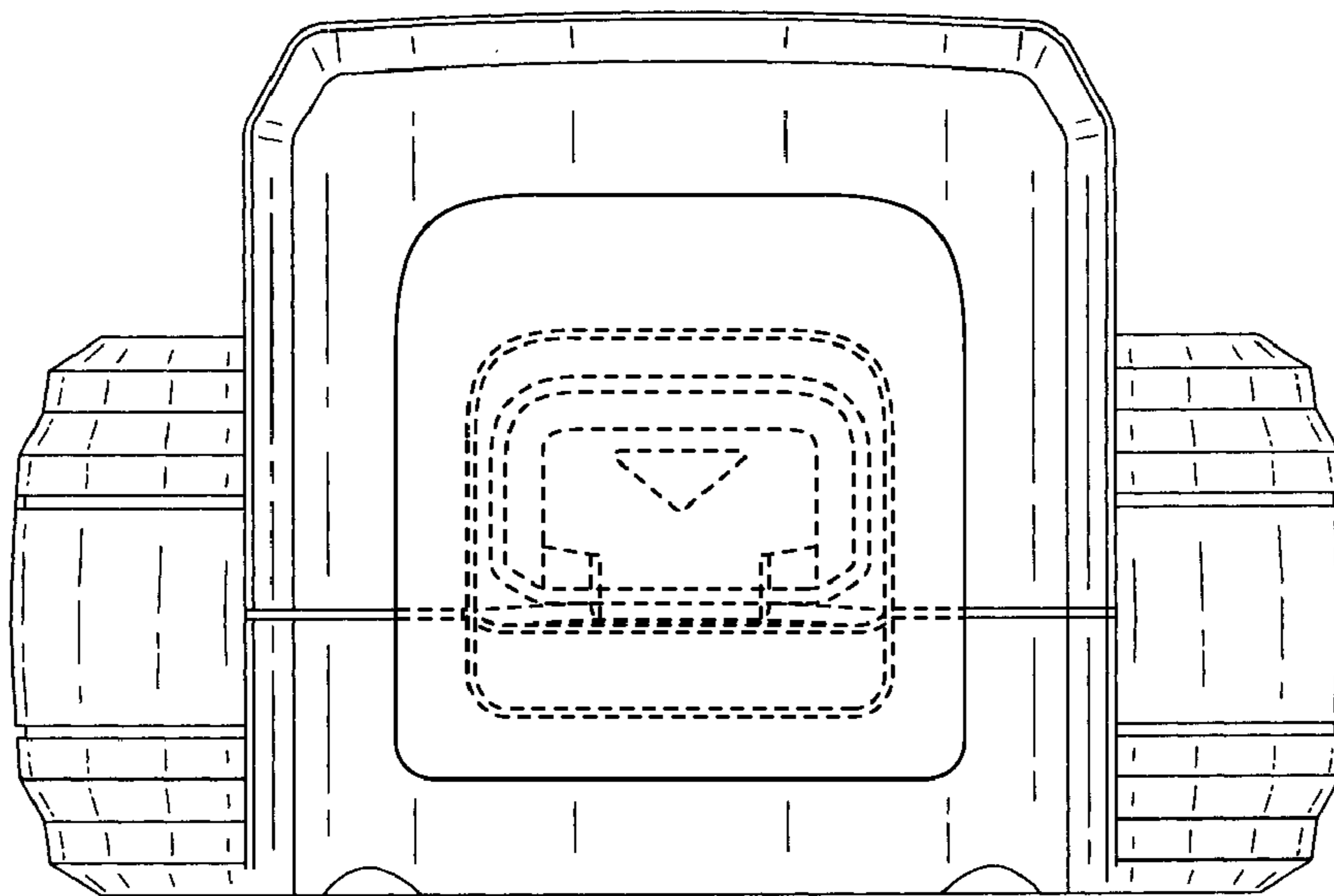


FIG. 5

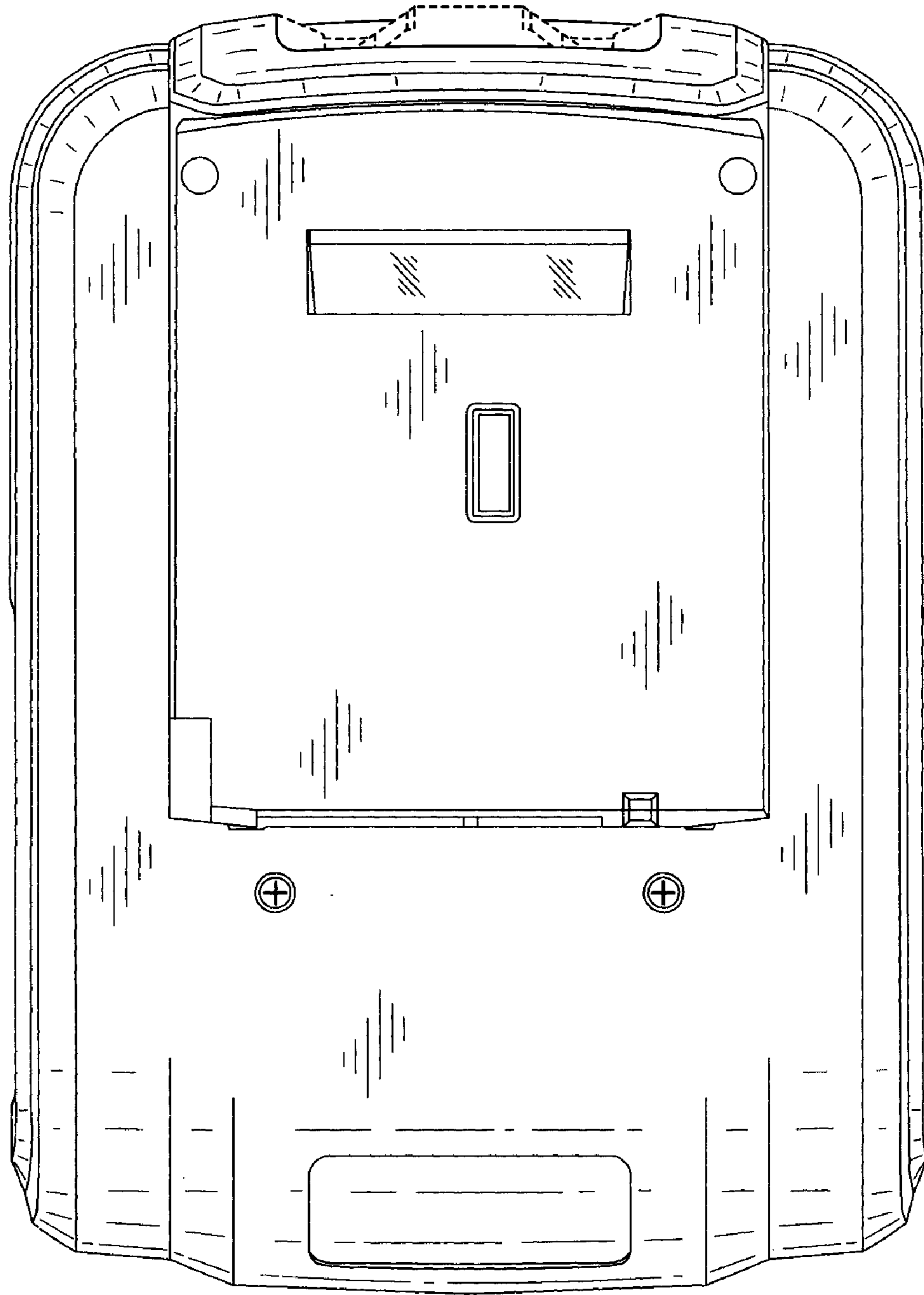


FIG.6

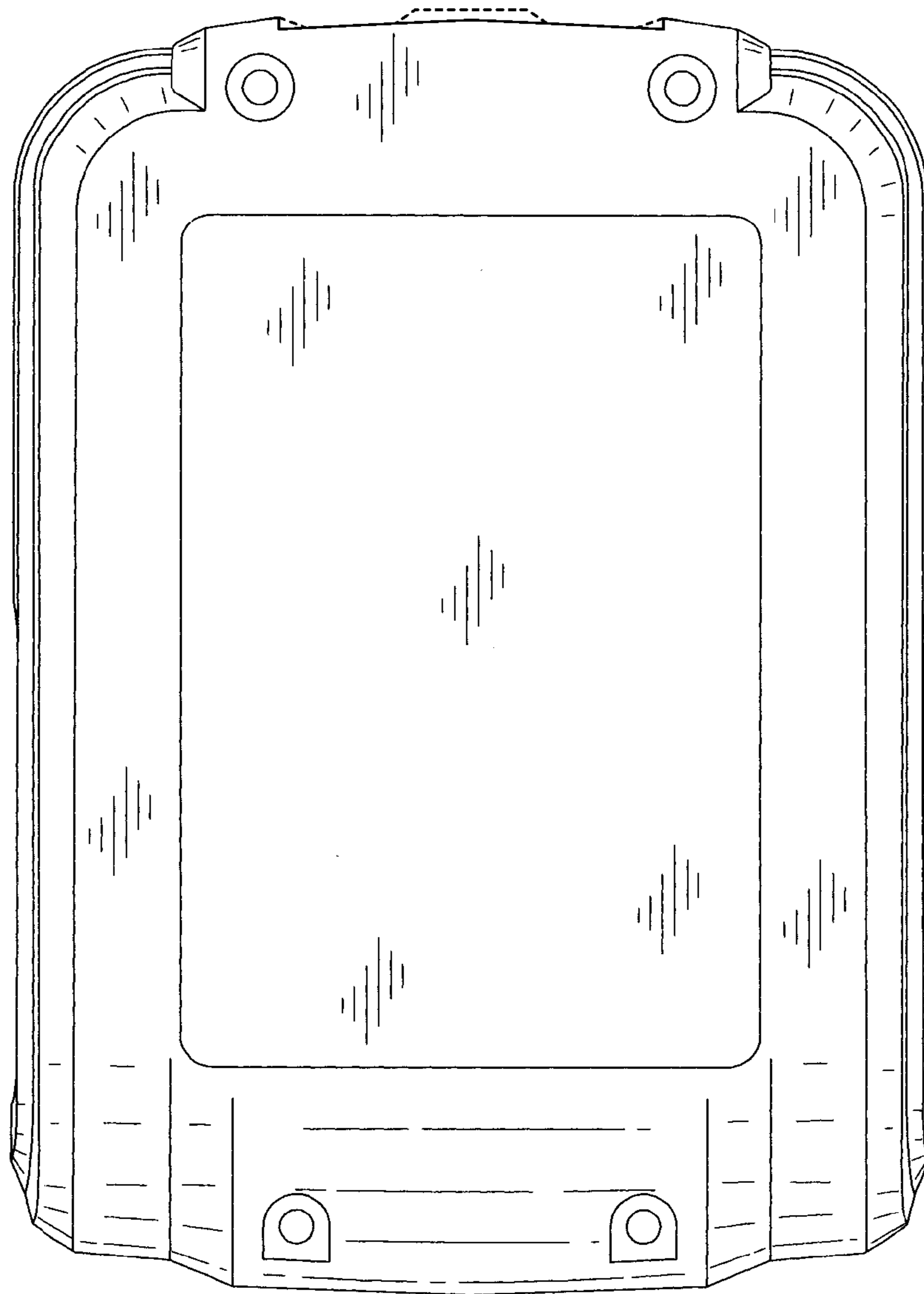


FIG.7