



US00D610081S

(12) **United States Design Patent**
DeSorbo

(10) **Patent No.:** **US D610,081 S**

(45) **Date of Patent:** **** Feb. 16, 2010**

(54) **POWER CELL ASSEMBLY**

(75) Inventor: **Alexander P. DeSorbo**, Woodbury, CT (US)

(73) Assignee: **Anton/Bauer, Inc.**, Shelton, CT (US)

(**) Term: **14 Years**

(21) Appl. No.: **29/258,412**

(22) Filed: **Apr. 21, 2006**

(51) **LOC (9) Cl.** **13-02**

(52) **U.S. Cl.** **D13/103**

(58) **Field of Classification Search** D13/102–106,
D13/110, 118–121, 184; 429/96–100, 163,
429/176

See application file for complete search history.

(56) **References Cited**

U.S. PATENT DOCUMENTS

D331,566 S *	12/1992	Seymour	D13/103
D392,939 S *	3/1998	Finke-Anlauff	D13/103
D413,566 S *	9/1999	McCombs	D13/103
D415,098 S *	10/1999	Zimmer	D13/103
D446,766 S *	8/2001	Han et al.	D13/103

D460,411 S *	7/2002	Wang	D13/103
D506,065 S *	6/2005	Sugino et al.	D3/294
D538,226 S *	3/2007	Lyman et al.	D13/119
D545,759 S *	7/2007	Ino et al.	D13/103

* cited by examiner

Primary Examiner—Rosemary K Tarcza

(74) *Attorney, Agent, or Firm*—McCormick, Paulding & Huber LLP

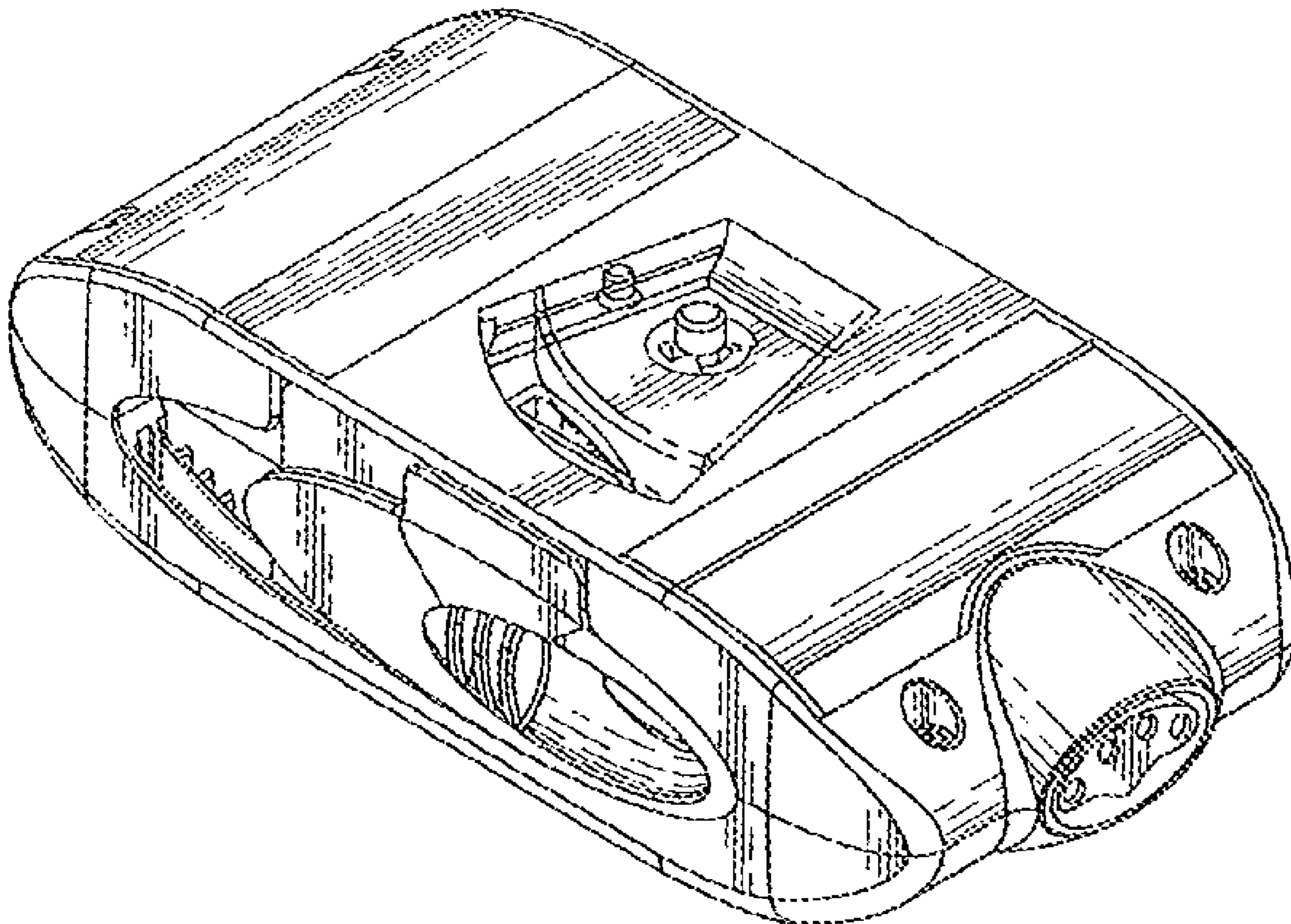
(57) **CLAIM**

The ornamental design for a power cell assembly, as shown and described.

DESCRIPTION

FIG. 1 is a perspective view of the power cell assembly;
FIG. 2 is a top view thereof;
FIG. 3 is a bottom view thereof;
FIG. 4 is a side view thereof;
FIG. 5 is an opposite side view thereof;
FIG. 6 is an end view thereof; and,
FIG. 7 is an opposite end view thereof.

1 Claim, 2 Drawing Sheets



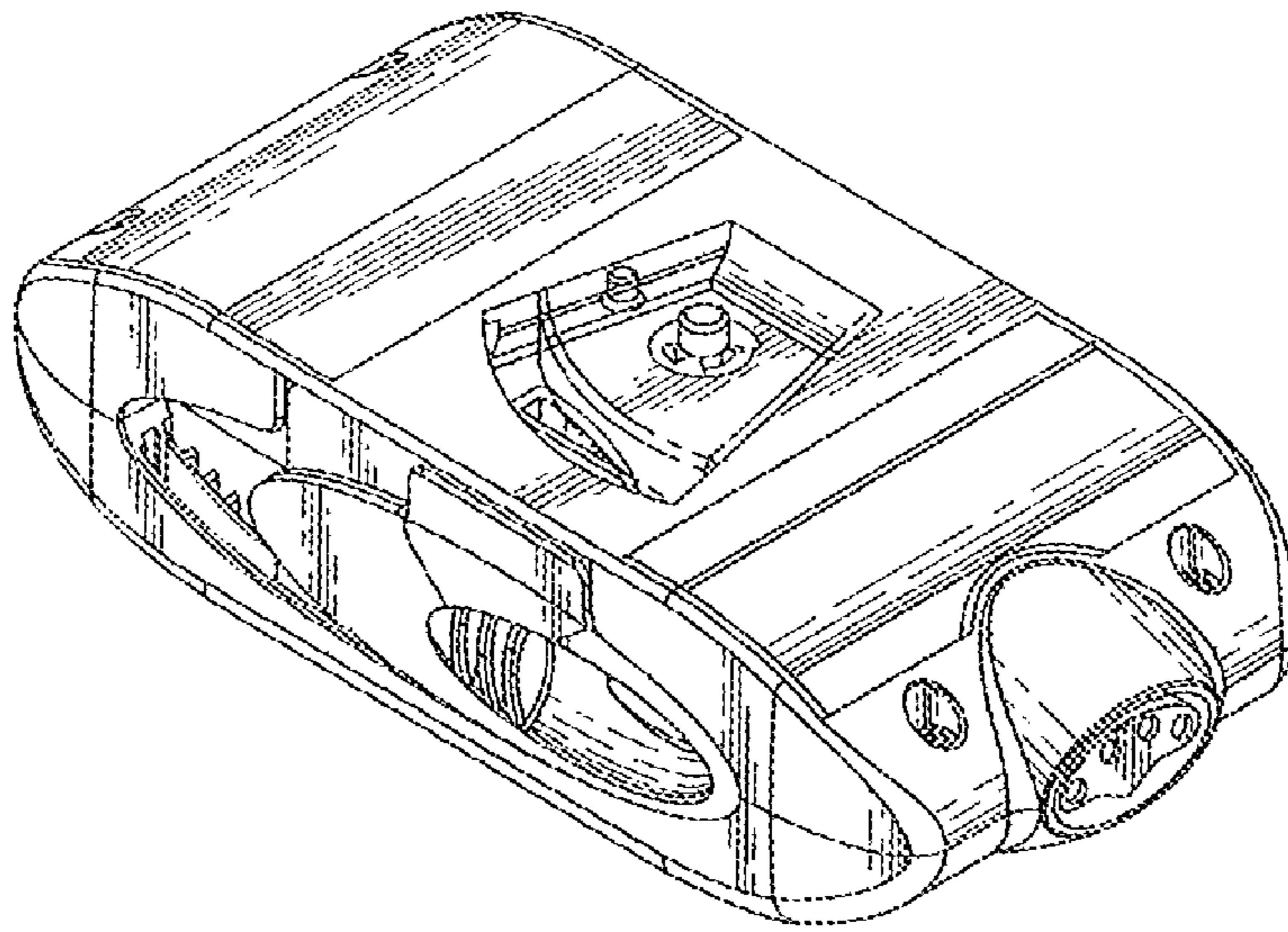


FIG. 1

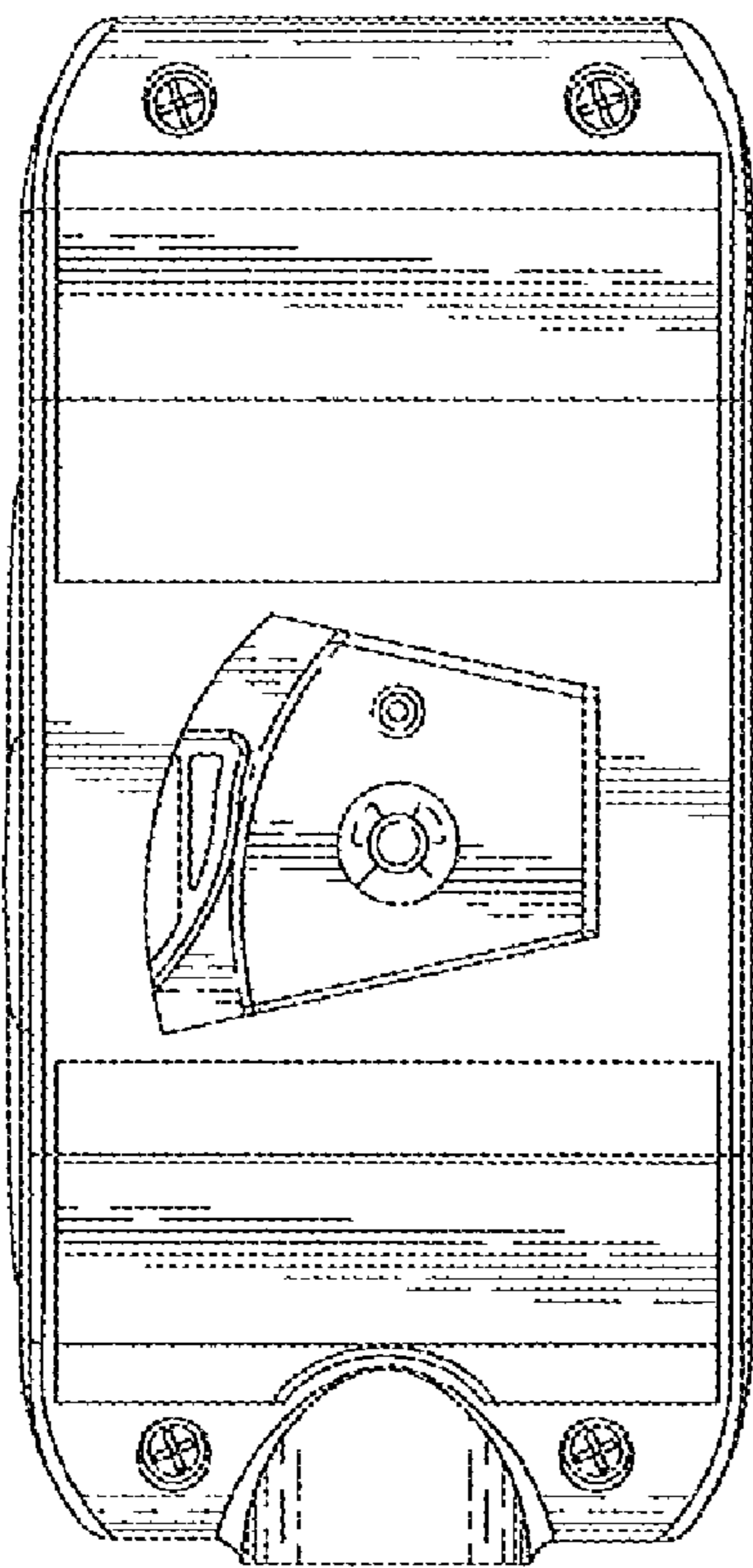


FIG. 2

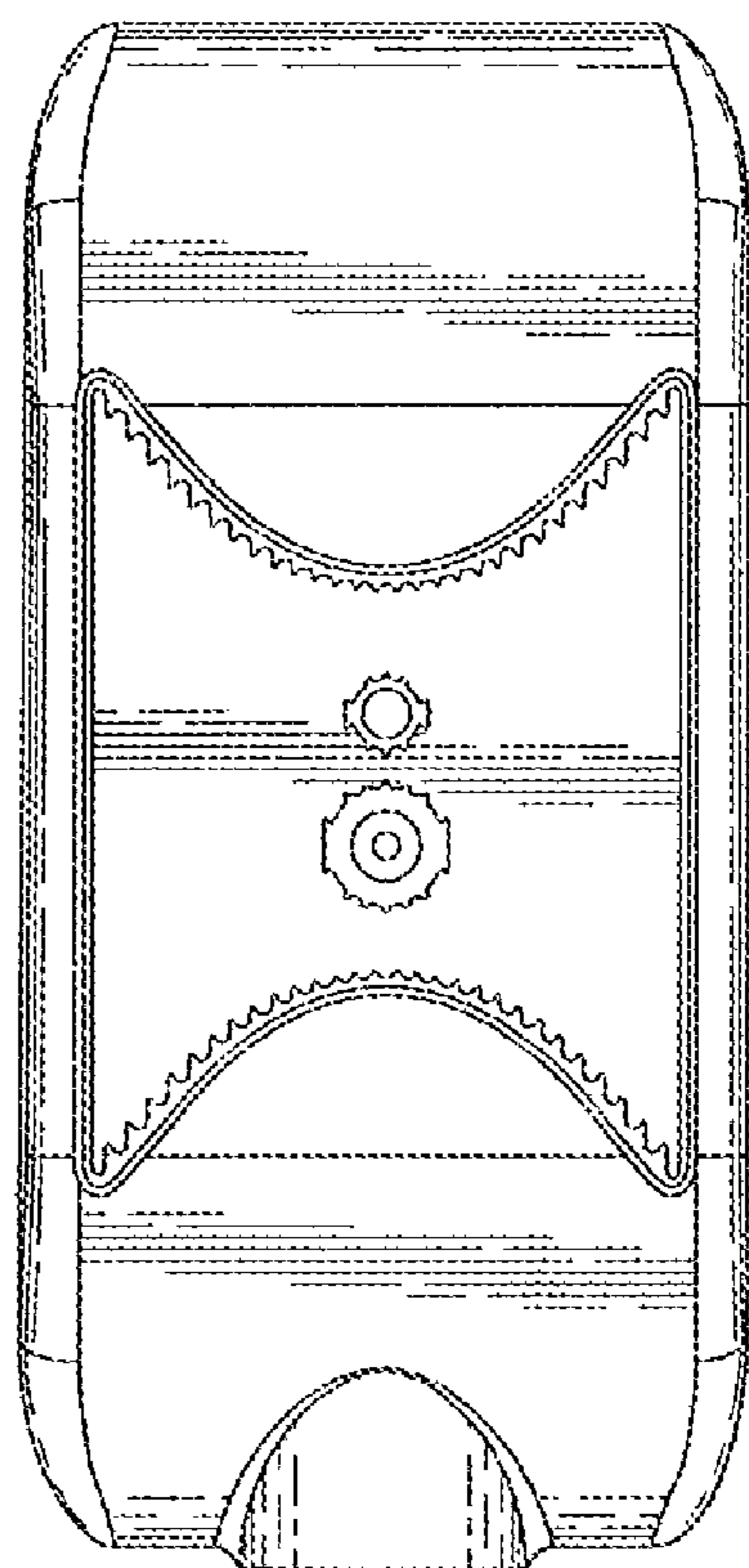


FIG. 3

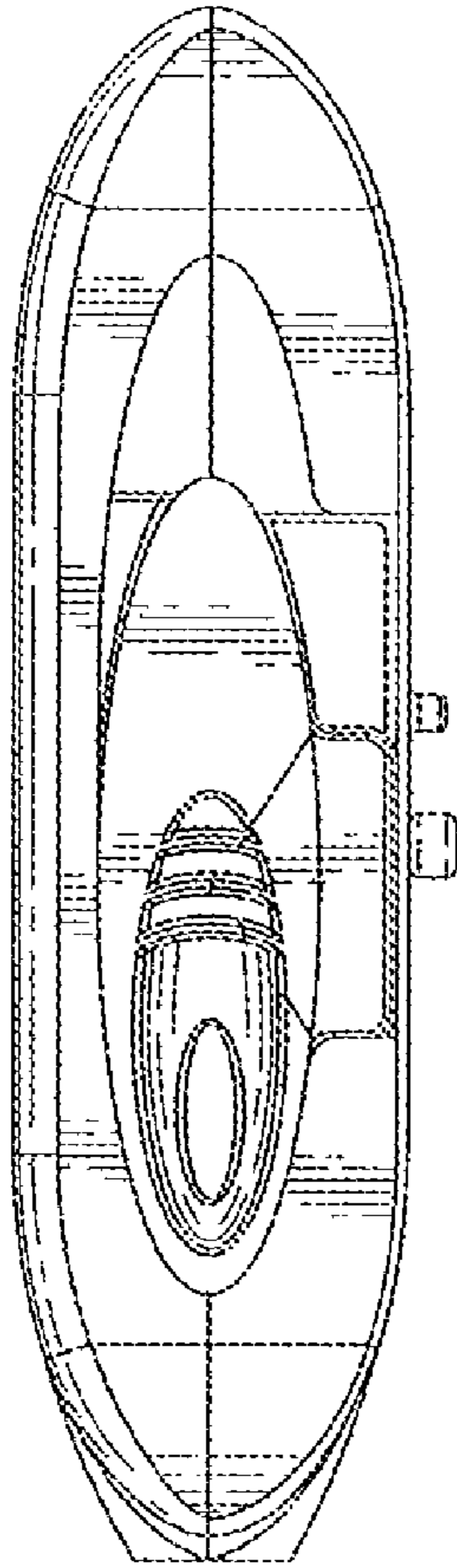


FIG. 4

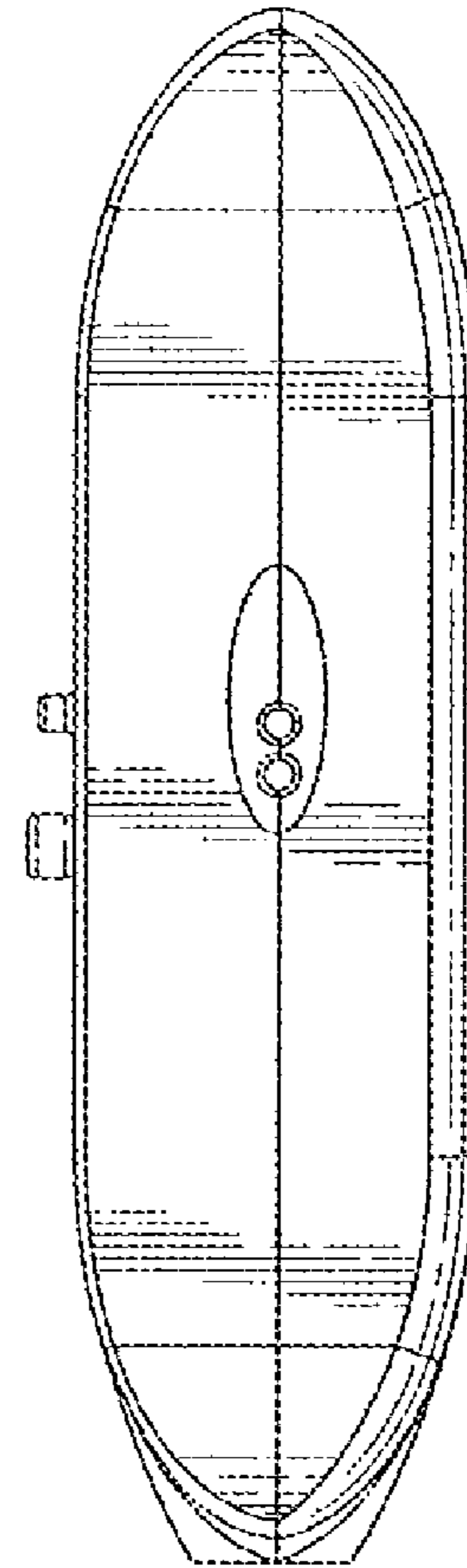


FIG. 5

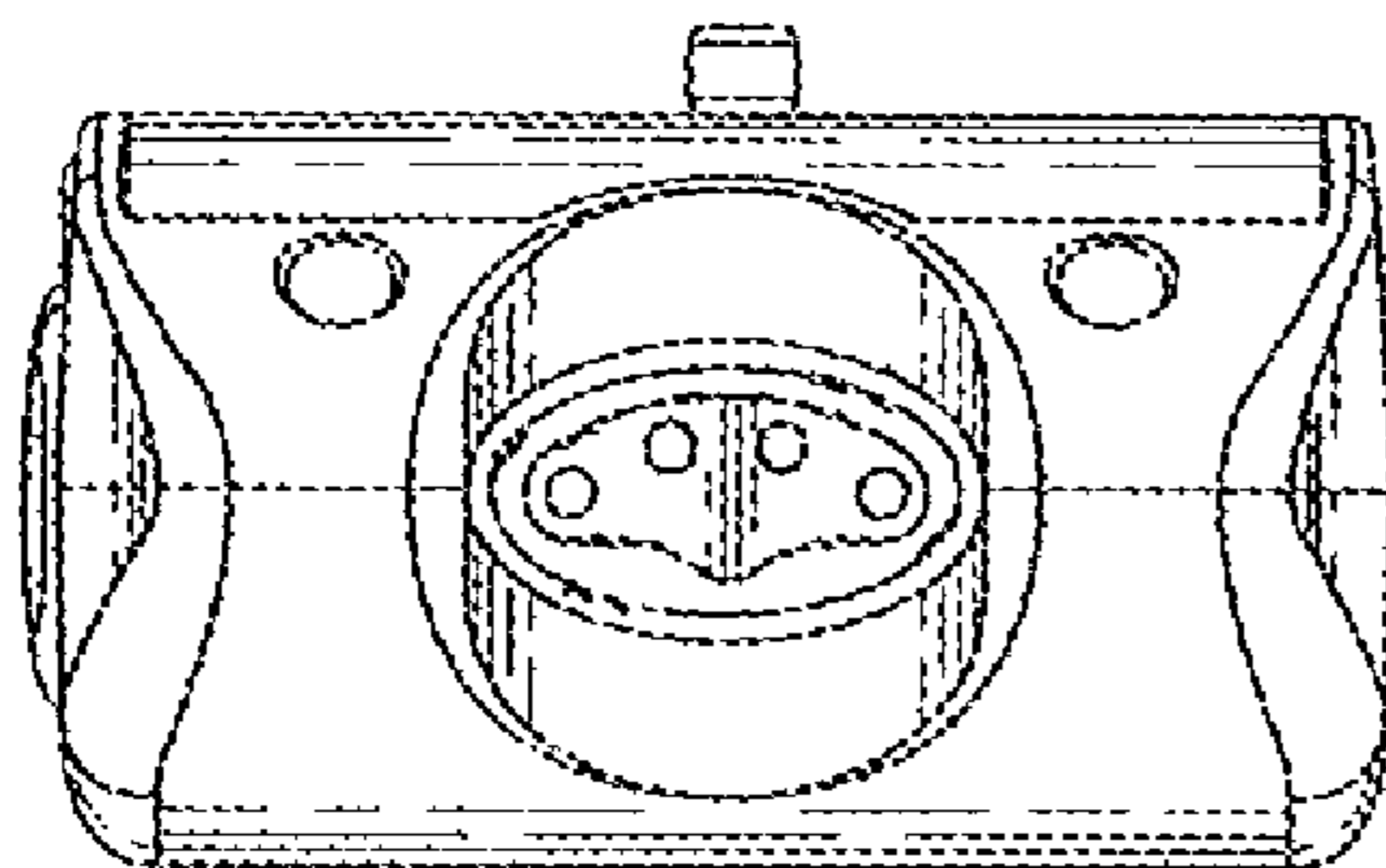


FIG. 6

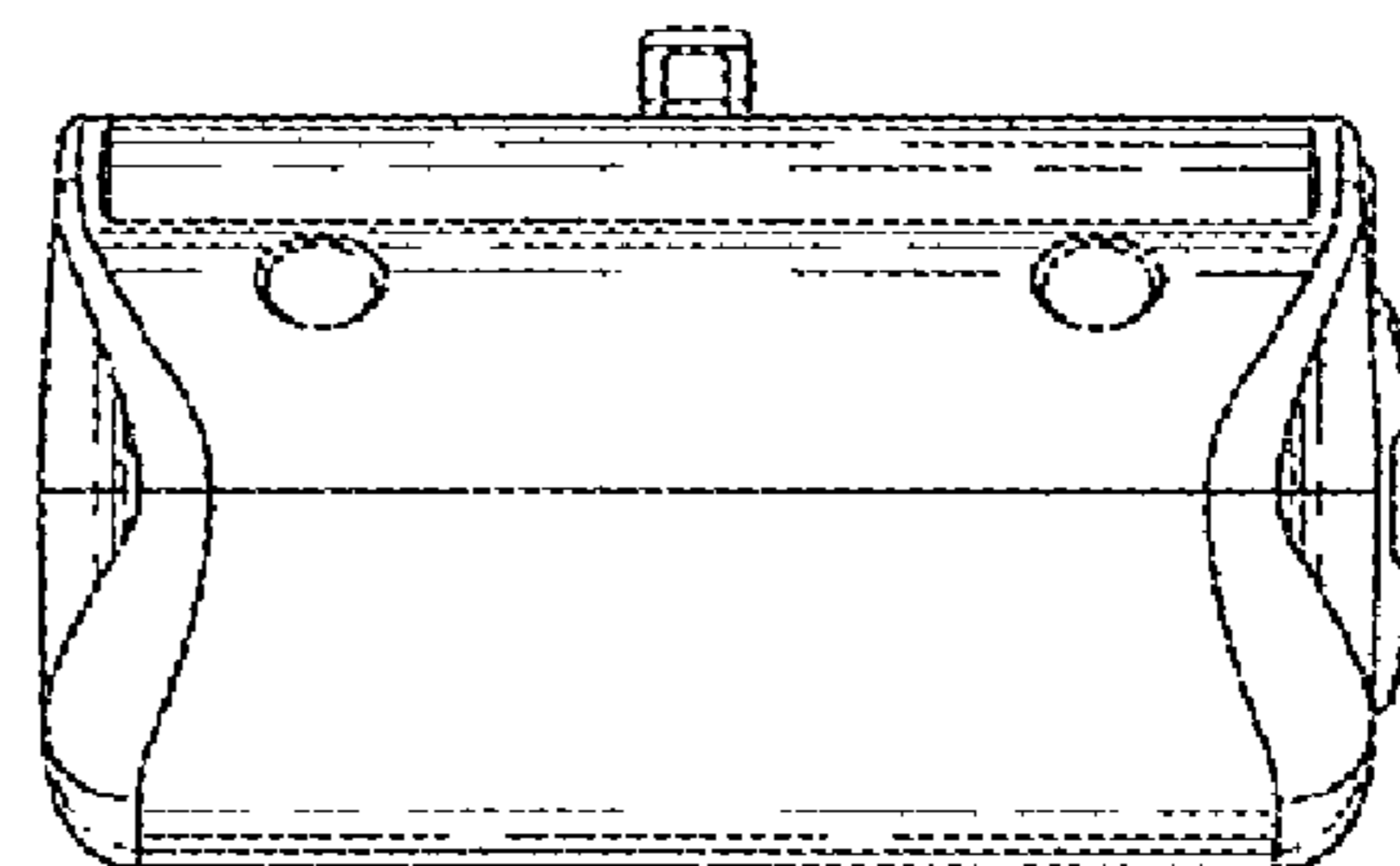


FIG. 7