



US00D610080S

(12) **United States Design Patent**
Kawakami et al.

(10) **Patent No.:** **US D610,080 S**

(45) **Date of Patent:** **** Feb. 16, 2010**

(54) **SOLAR-CELL**

(75) Inventors: **Seiichi Kawakami**, Osaka (JP); **Shinji Oda**, Osaka (JP)

(73) Assignee: **Sanyo Electric Co., Ltd.**, Osaka (JP)

(**) Term: **14 Years**

(21) Appl. No.: **29/311,826**

(22) Filed: **Jul. 6, 2009**

(30) **Foreign Application Priority Data**

Jan. 7, 2009 (JP) 2009-000146

(51) **LOC (9) Cl.** **13-02**

(52) **U.S. Cl.** **D13/102**

(58) **Field of Classification Search** D13/102,
D13/101, 107-110, 119, 184, 199; 136/243-245,
136/247, 250-252; 307/149, 150; 320/101,
320/102, 107-115; 323/906; 429/96-100
See application file for complete search history.

(56) **References Cited**

U.S. PATENT DOCUMENTS

D240,630 S *	7/1976	Matsutani	D13/102
D280,234 S *	8/1985	Takeuchi et al.	D13/102
5,522,943 A *	6/1996	Spencer et al.	136/245
D391,921 S *	3/1998	Zimmer et al.	D13/102
D400,162 S *	10/1998	Lam	D13/107
D479,191 S *	9/2003	Peress et al.	D13/102
6,650,085 B2 *	11/2003	Lau et al.	320/101
D489,680 S *	5/2004	Stobart	D13/107

* cited by examiner

Primary Examiner—Prabhakar Deshmukh

Assistant Examiner—Derrick Holland

(74) *Attorney, Agent, or Firm*—Rabin & Berdo, PC

(57) **CLAIM**

The ornamental design for a solar-cell, as shown and described.

DESCRIPTION

FIG. 1 is a perspective view of a solar-cell showing our new design;

FIG. 2 is a front elevation view thereof;

FIG. 3 is a rear elevation view thereof;

FIG. 4 is a top plan view thereof;

FIG. 5 is a bottom plan view thereof;

FIG. 6 is a right side view thereof;

FIG. 7 is a left side view thereof;

FIG. 8 is a sectional view taken on line 8—8 of FIG. 4 showing no illustration of inside mechanism, cables are shown in broken lines forming no part of the claimed design;

FIG. 9 is a second perspective view thereof, shown in an open condition;

FIG. 10 is a third perspective view thereof, shown in an alternate open condition in environmental use; and,

FIG. 11 is a fourth perspective view thereof, shown in another environmental use.

The broken lines showing of cable and outer equipment are for illustrative purpose only and form no part of the claimed design.

1 Claim, 6 Drawing Sheets

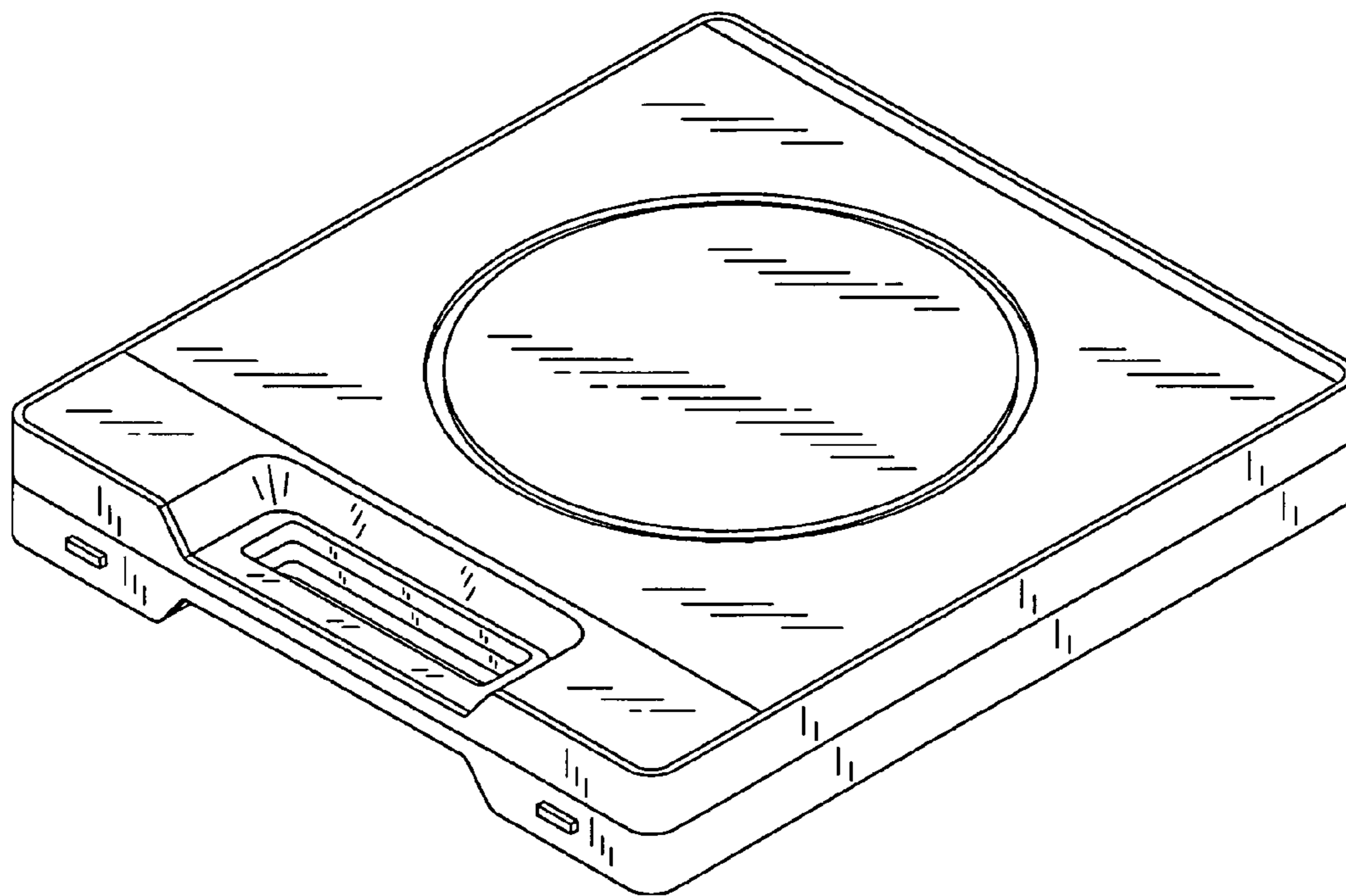


FIG. 1

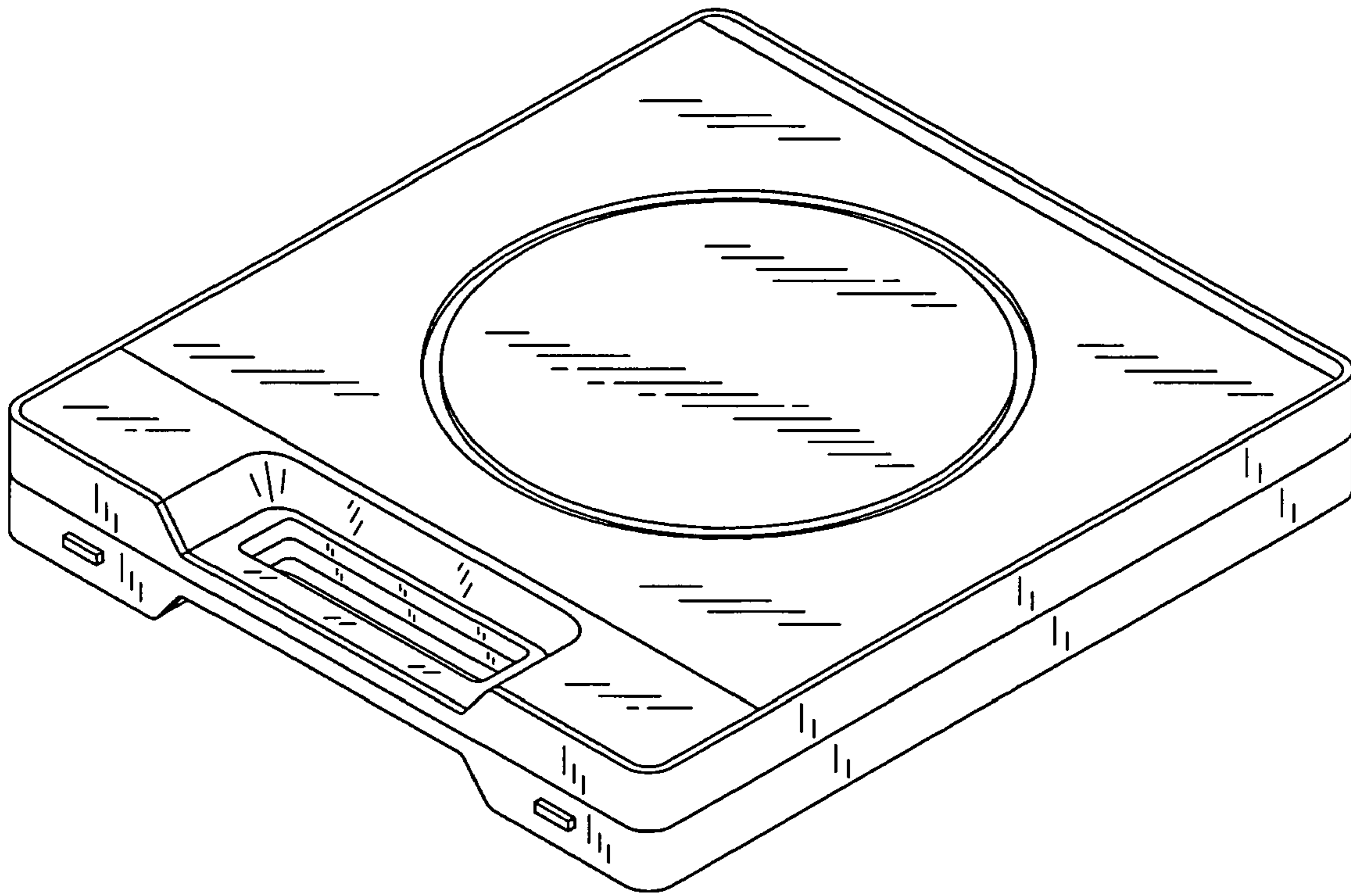


FIG. 2

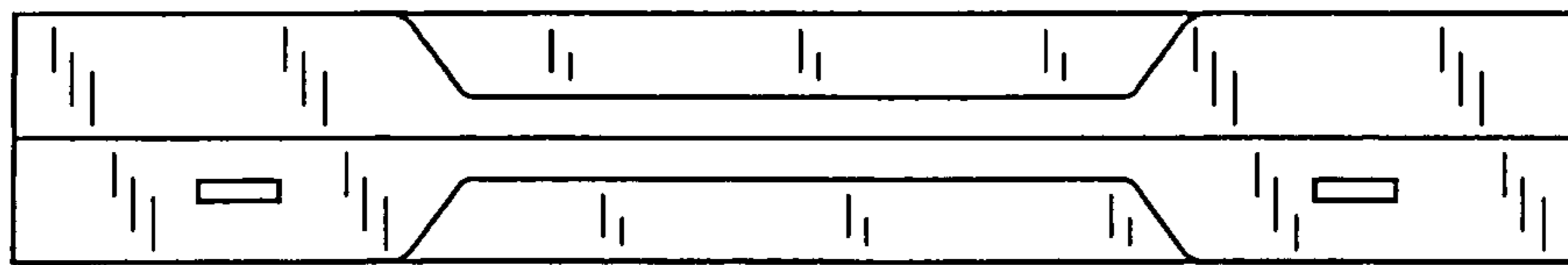


FIG. 3

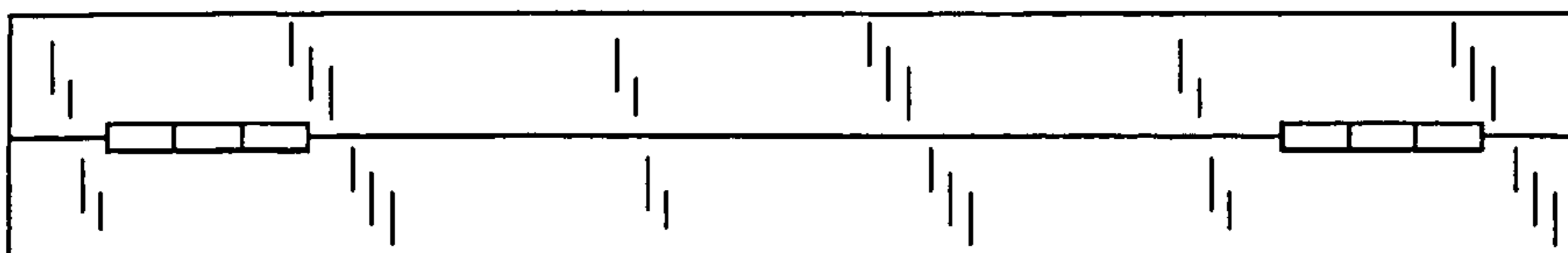


FIG. 4

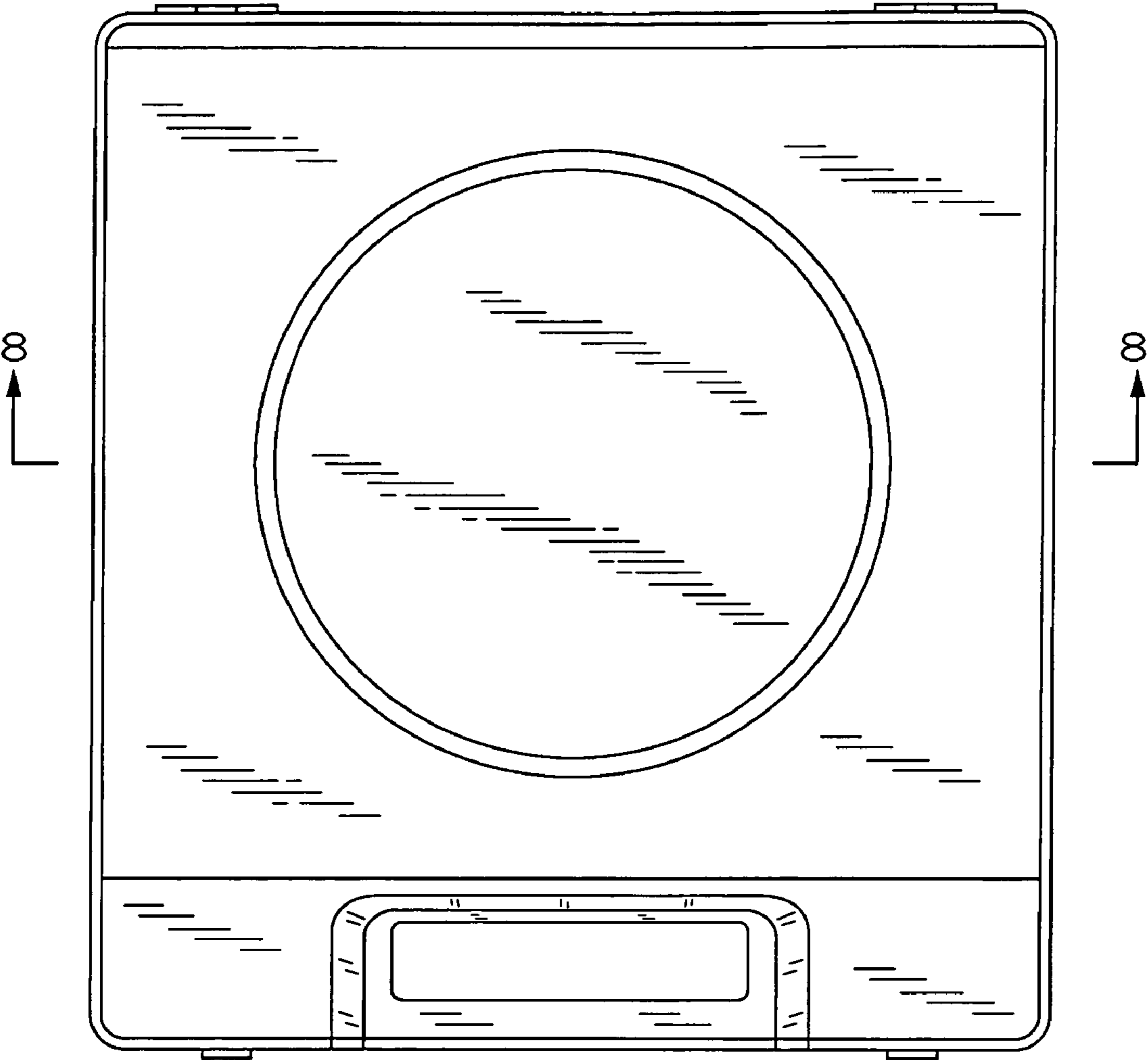


FIG. 5

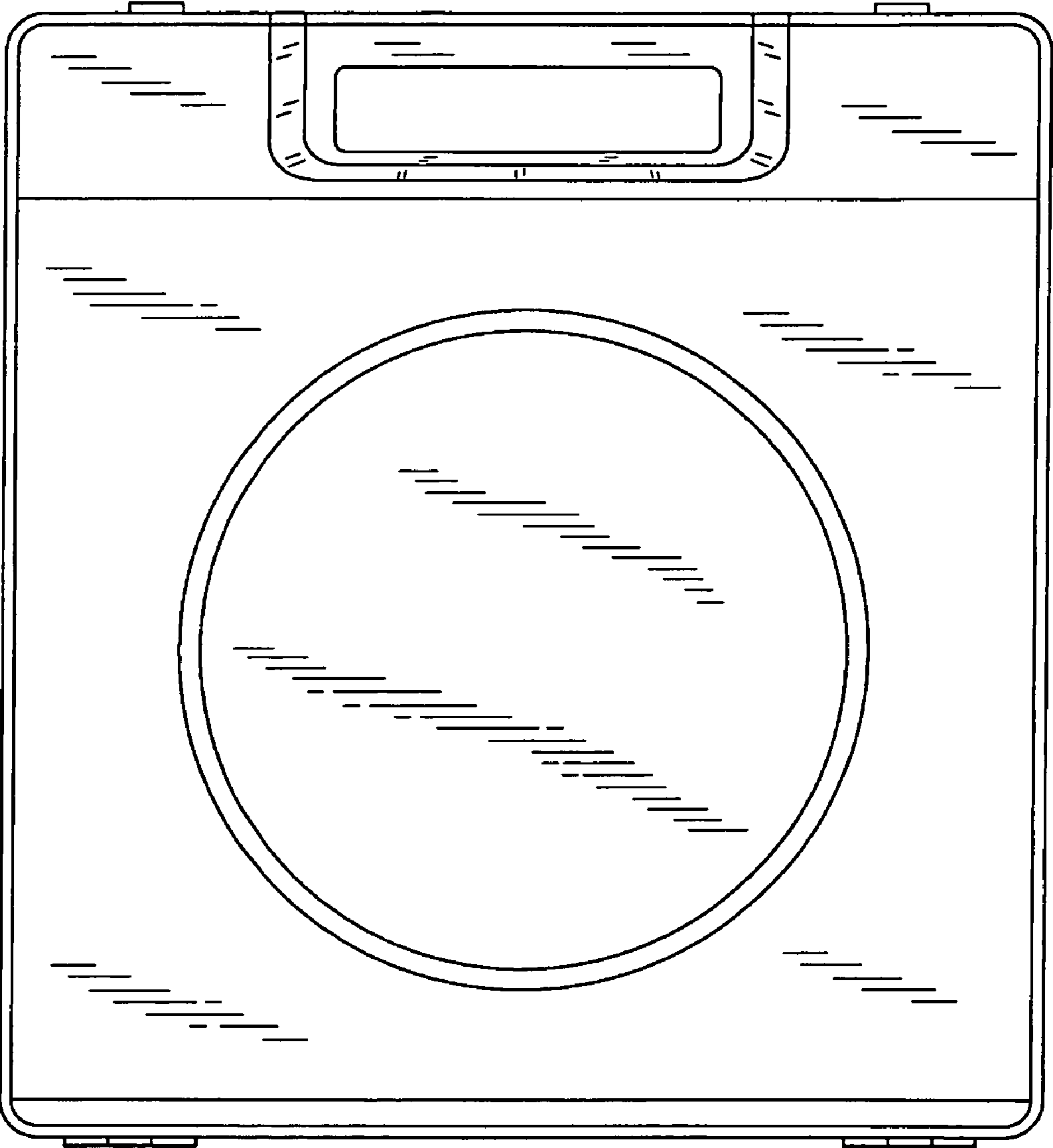


FIG. 6



FIG. 7

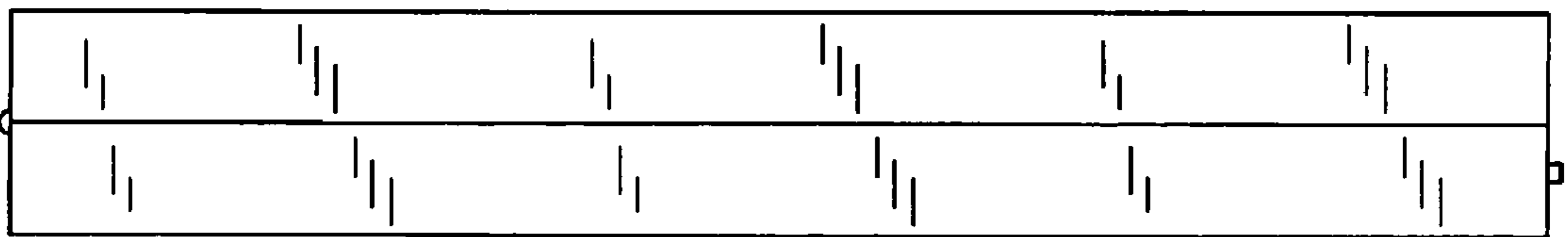


FIG. 8

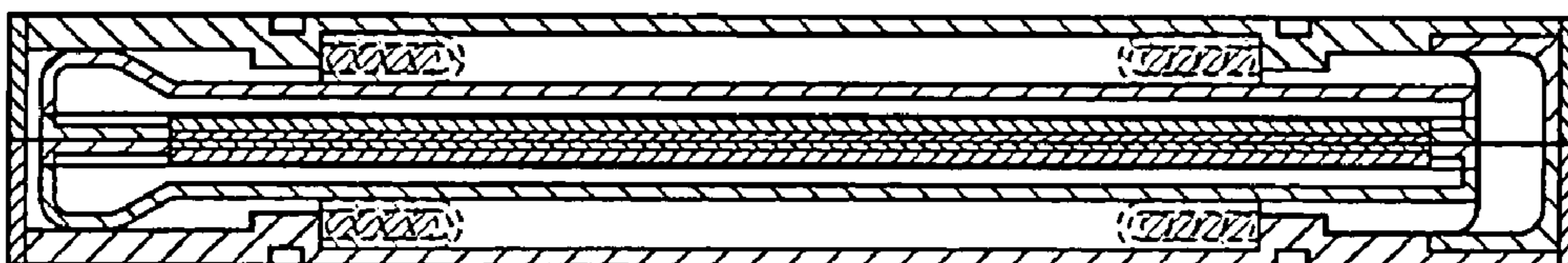


FIG. 9

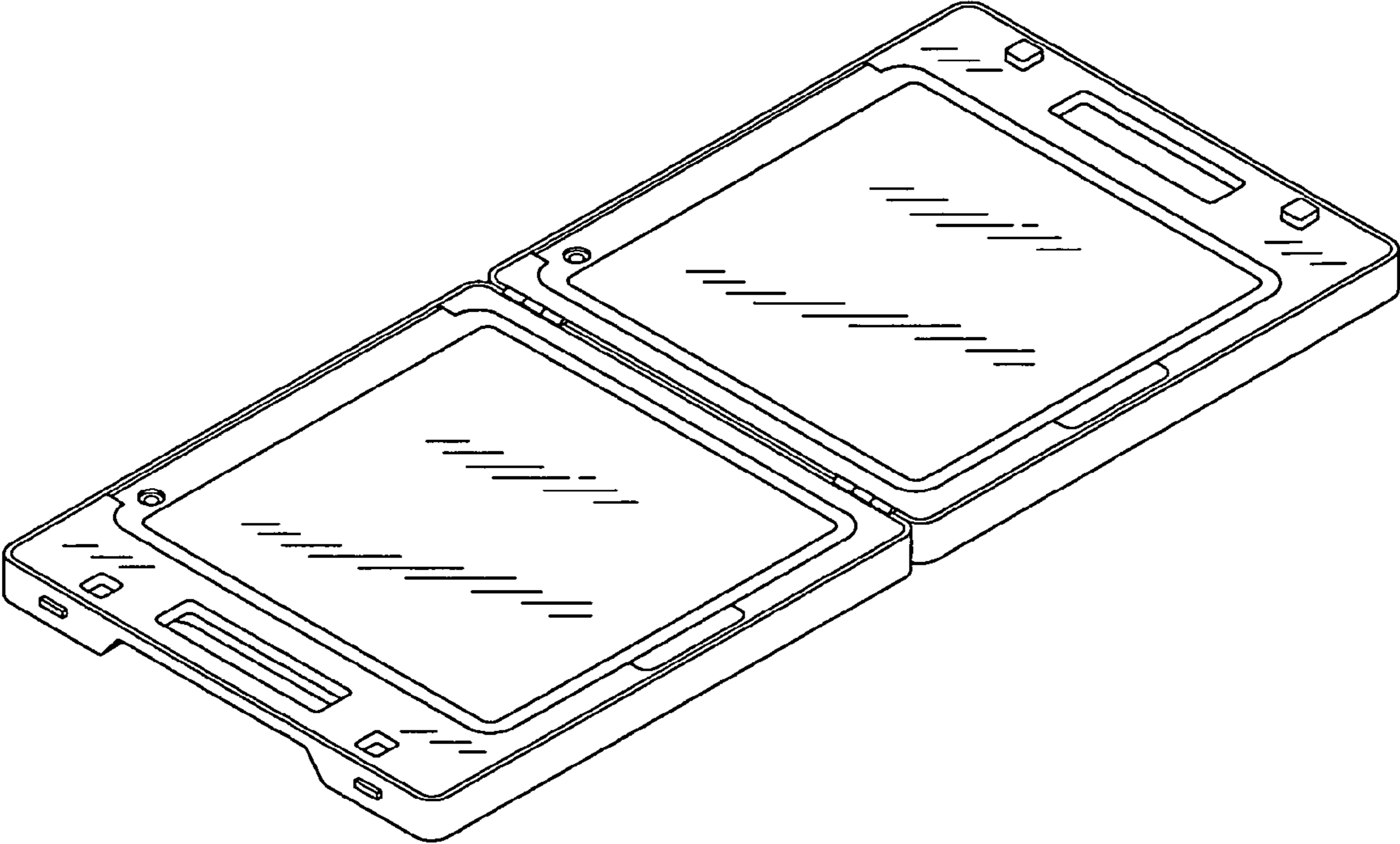


FIG. 10

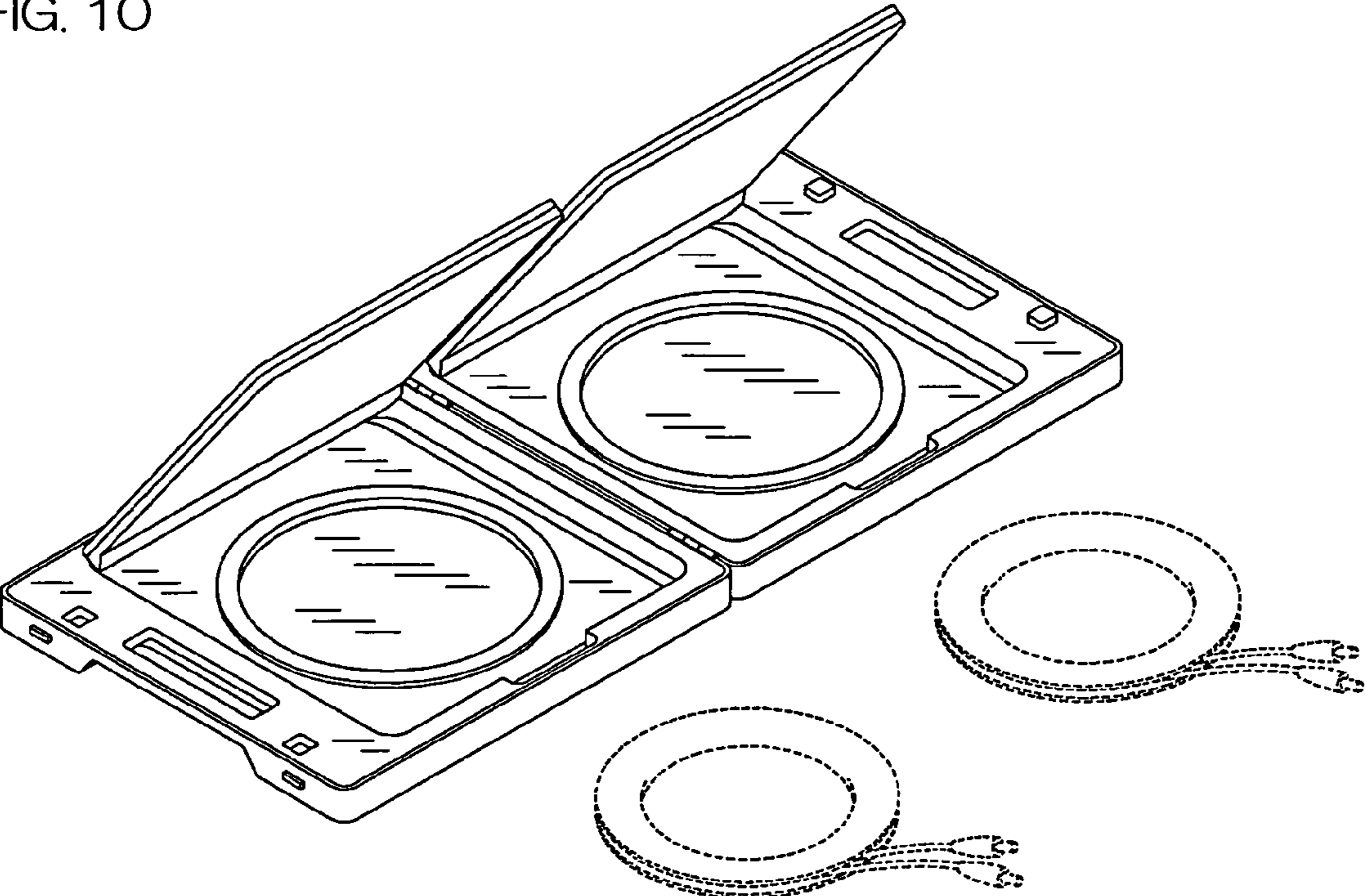


FIG. 11

