



US00D610077S

(12) **United States Design Patent**
Tobino

(10) **Patent No.:** **US D610,077 S**
(45) **Date of Patent:** **** Feb. 16, 2010**

(54) **TIRE FOR AUTOMOBILE**

(75) Inventor: **Yoshiyuki Tobino**, Kobe (JP)
(73) Assignee: **Sumitomo Rubber Industries, Ltd.**,
Kobe (JP)
(**) Term: **14 Years**
(21) Appl. No.: **29/300,946**
(22) Filed: **Jun. 4, 2008**

(30) **Foreign Application Priority Data**
Dec. 6, 2007 (JP) 2007-033486

(51) **LOC (9) Cl.** **12-15**
(52) **U.S. Cl.** **D12/601**
(58) **Field of Classification Search** D12/568–603;
152/209.1, 209.8, 209.9, 209.12, 209.18,
152/209.25

See application file for complete search history.

(56) **References Cited**

U.S. PATENT DOCUMENTS

D380,995 S * 7/1997 Grosskopf D12/588
D388,370 S 12/1997 Young et al.
D390,510 S 2/1998 Stone et al.
D397,647 S * 9/1998 Young D12/595
D424,986 S * 5/2000 Yoshioka D12/601
D433,356 S 11/2000 Loeffler et al.
D451,438 S 12/2001 Galante et al.
D451,860 S 12/2001 Schuster et al.
D455,709 S 4/2002 Dixon et al.

FOREIGN PATENT DOCUMENTS

JP 740876 S 8/1988
JP 904773 S 8/1994
JP 904774 S 8/1994
JP 953719 S 5/1996
JP 966526 S 10/1996
JP 1003480 A 2/1998
JP 1178687 S 7/2003
JP 1179117 S 7/2003

* cited by examiner

Primary Examiner—Robert M Spear
Assistant Examiner—George D Kirschbaum
(74) *Attorney, Agent, or Firm*—Birch, Stewart, Kolasch &
Birch, LLP

(57) **CLAIM**

The ornamental design for a tire for automobile, as shown and described.

DESCRIPTION

FIG. 1 is a front, left perspective view of a tire for automobile showing my new design;

FIG. 2 is a front view thereof;

FIG. 3 is a left side view thereof;

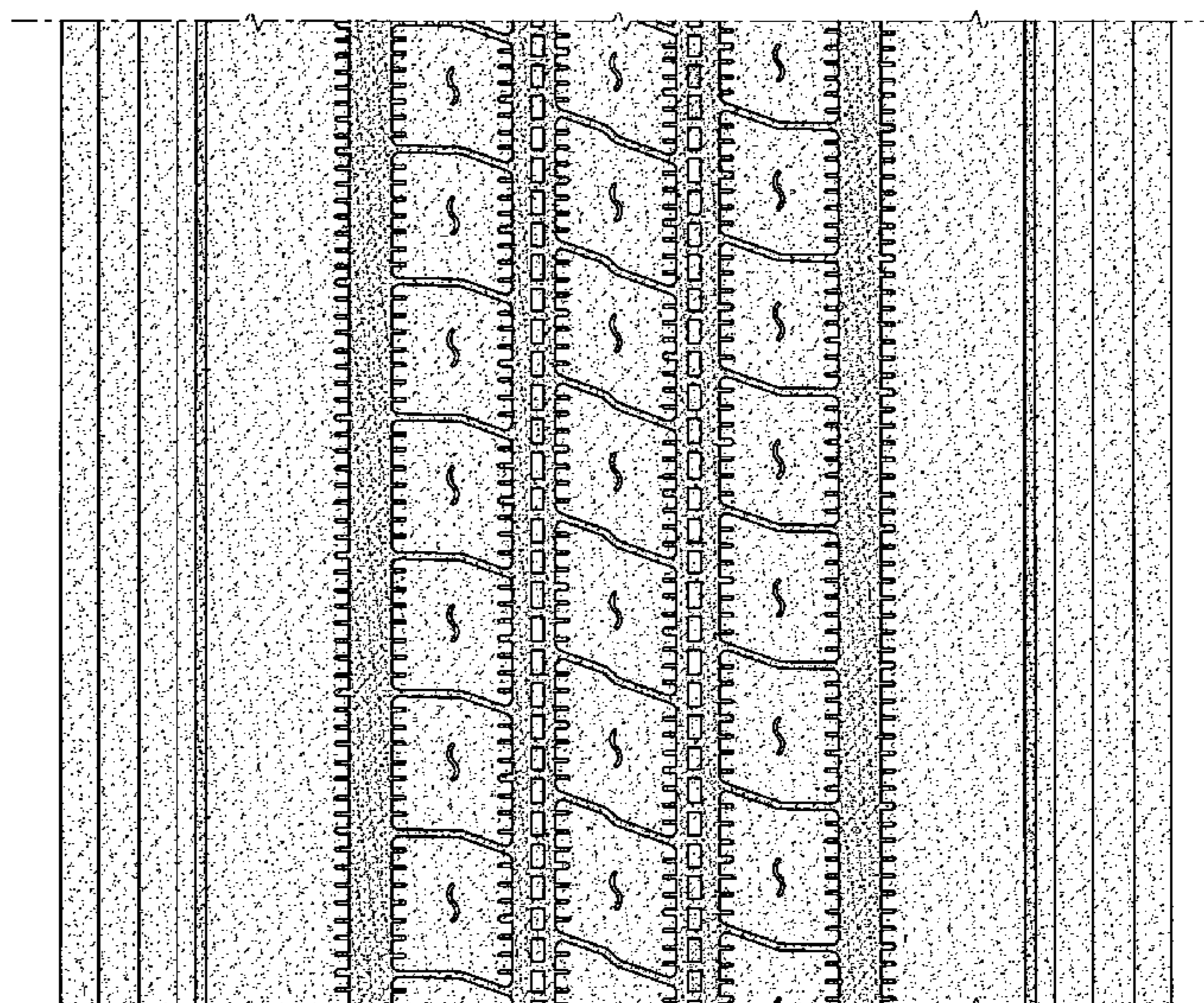
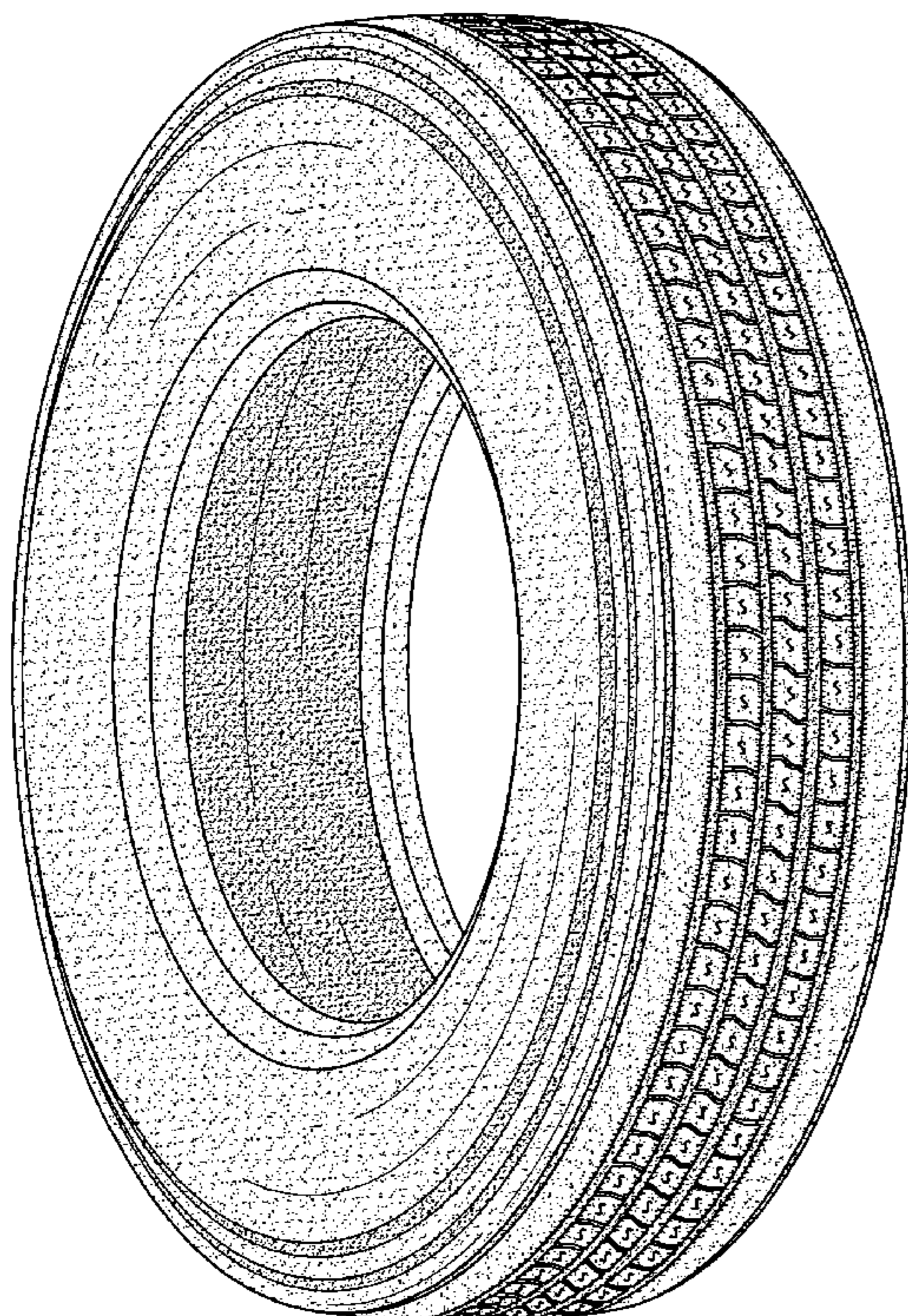
FIG. 4 is a right side view thereof;

FIG. 5 is a rear view thereof; and,

FIG. 6 is a partial enlarged view of FIG. 2.

The top view and the bottom view are the same as the front view.

1 Claim, 6 Drawing Sheets



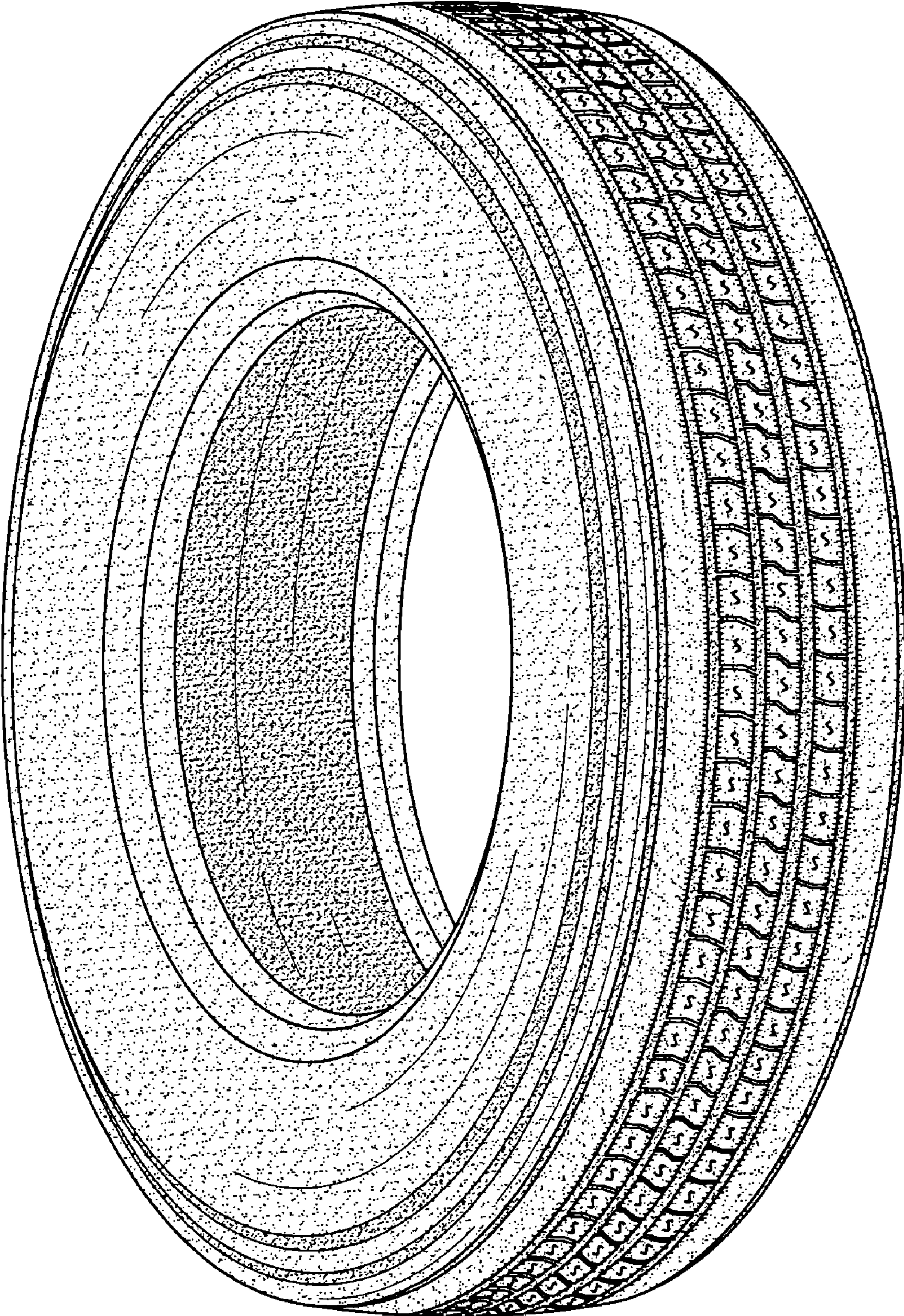


FIG.1

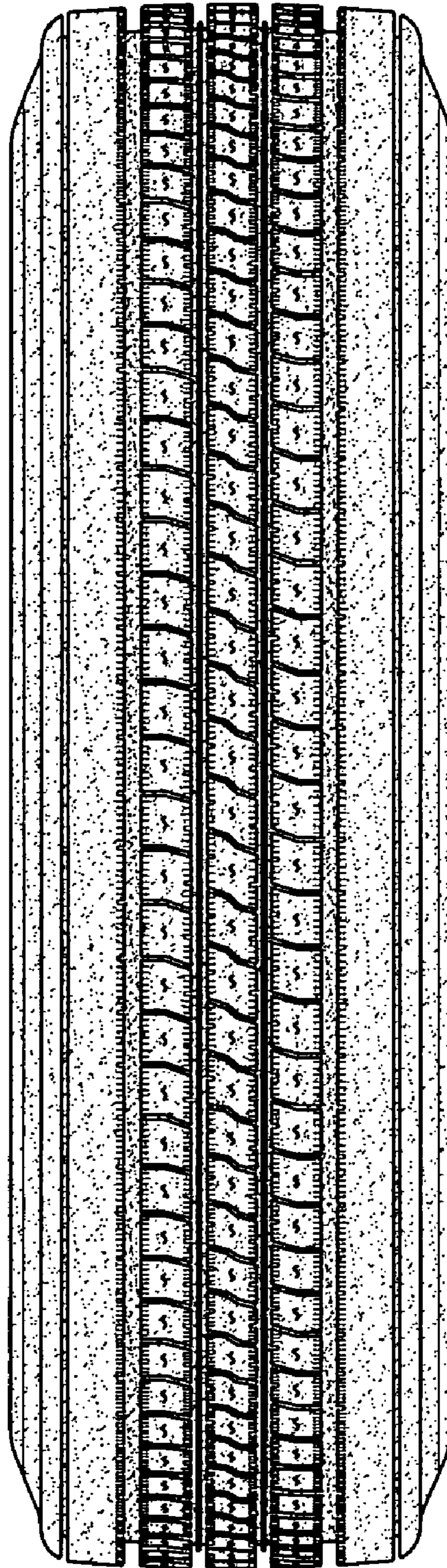


FIG.2

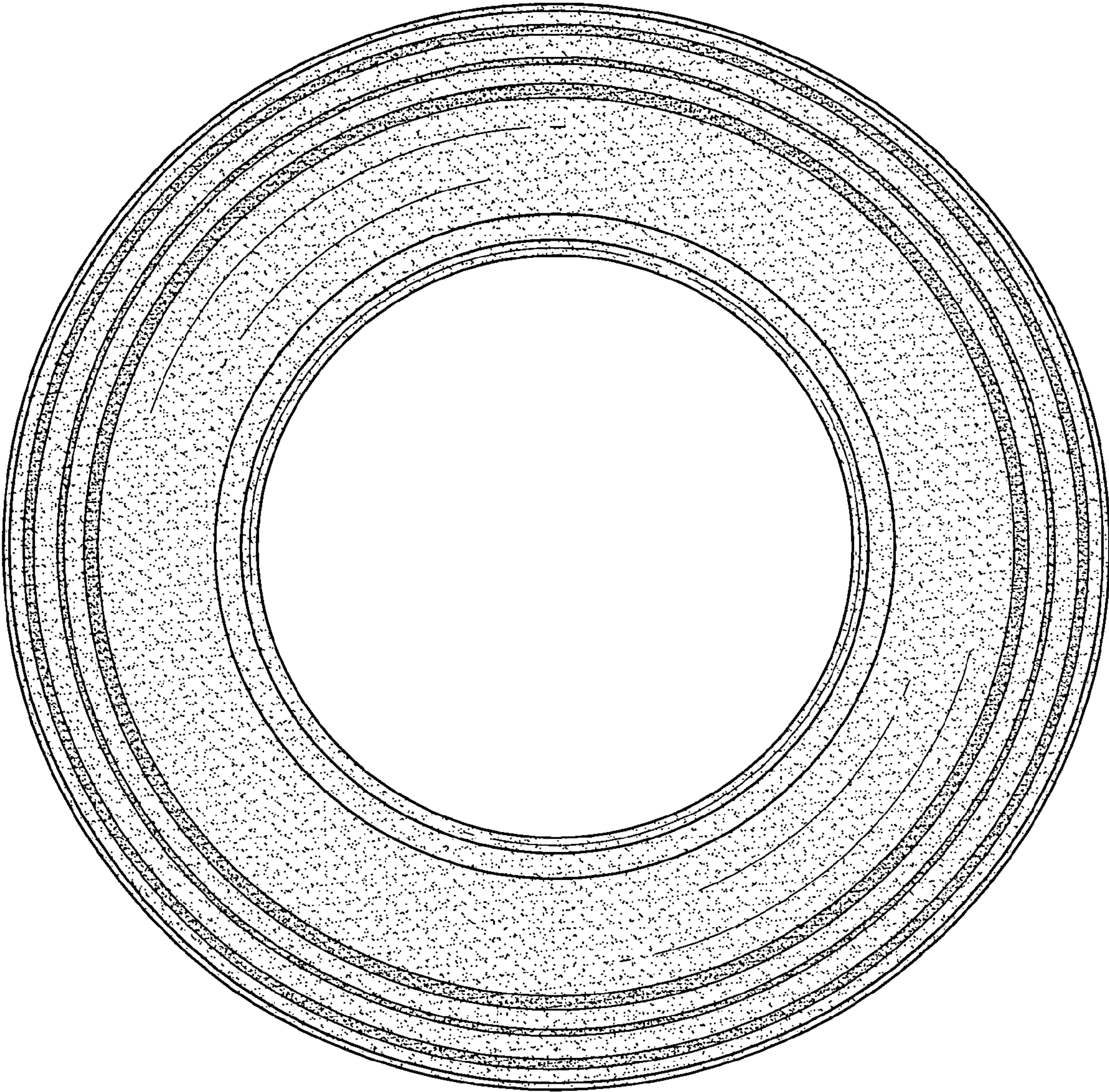


FIG.3

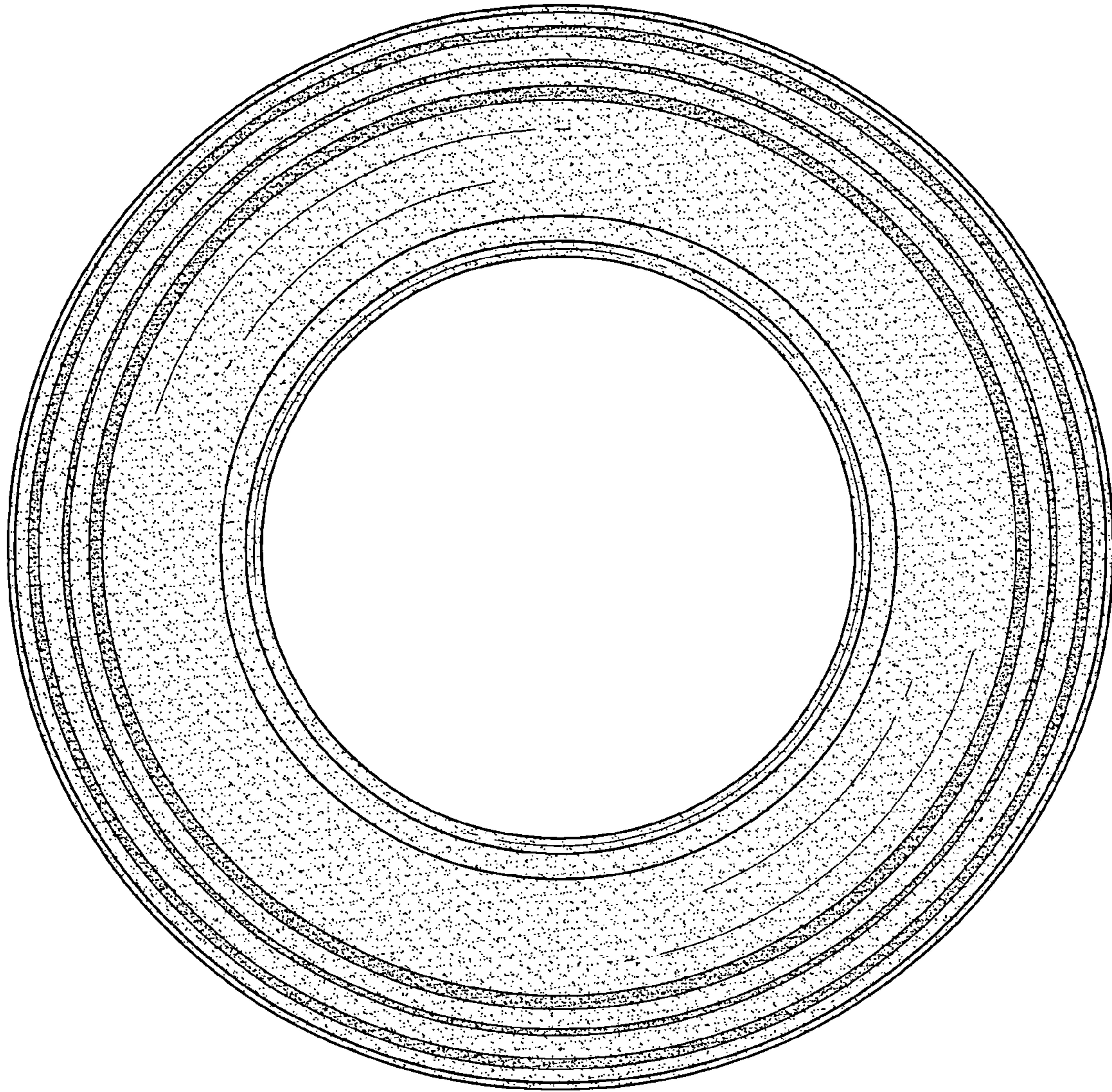


FIG.4

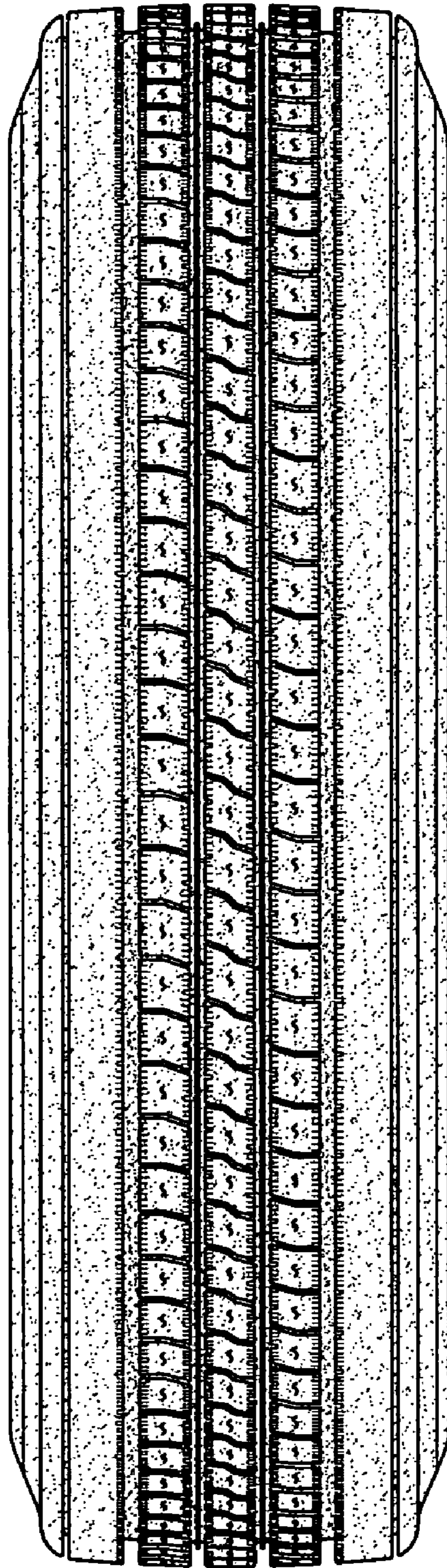


FIG.5

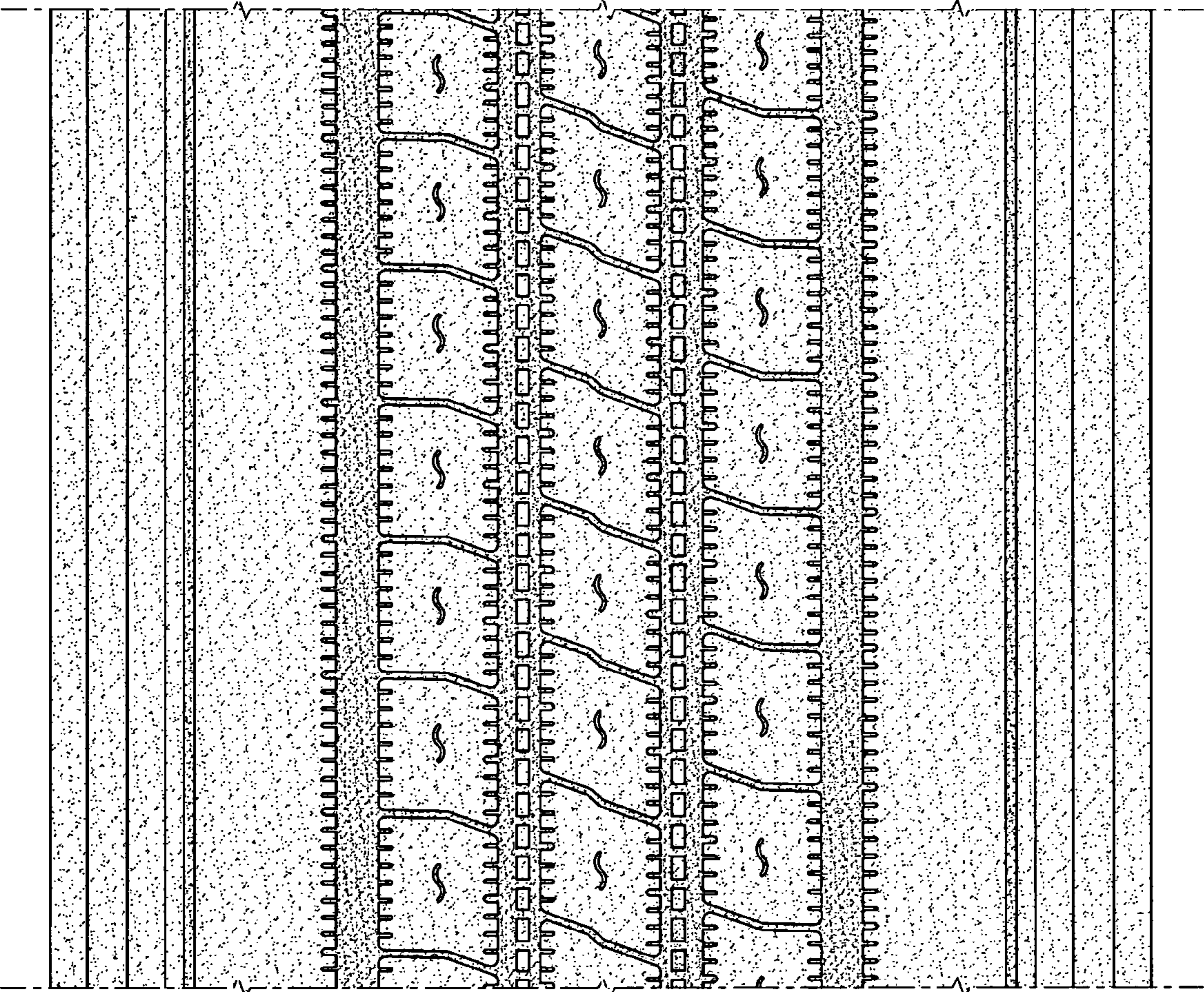


FIG.6