



US00D610059S

(12) **United States Design Patent**
Azimonti

(10) **Patent No.:** **US D610,059 S**

(45) **Date of Patent:** **** Feb. 16, 2010**

(54) **CALIPER FOR DISC BRAKE**

(75) Inventor: **Domizia Azimonti**, Bergamo (IT)

(73) Assignee: **Freni Brembo S.p.A.**, Curno, Bergamo (IT)

(**) Term: **14 Years**

(21) Appl. No.: **29/330,229**

(22) Filed: **Dec. 31, 2008**

(30) **Foreign Application Priority Data**

Jul. 8, 2008 (EM) 000966965

(51) **LOC (9) Cl.** **12-16**

(52) **U.S. Cl.** **D12/180**

(58) **Field of Classification Search** D12/86,
D12/163, 171, 177, 180, 196; 188/1.11 W,
188/71.1, 71.5, 72.2, 72.4, 73.3, 73.31-73.39,
188/73.41-73.46, 218 XL, 370; 192/70.17,
192/70.2

See application file for complete search history.

(56) **References Cited**

U.S. PATENT DOCUMENTS

6,247,561 B1 * 6/2001 Doi et al. 188/73.39
D522,420 S * 6/2006 Crippa et al. D12/180
D522,421 S * 6/2006 Crippa et al. D12/180
7,331,430 B2 * 2/2008 Valvano et al. 188/71.5

D588,513 S * 3/2009 Crippa et al. D12/180

* cited by examiner

Primary Examiner—Robert M Spear

Assistant Examiner—Barbara B Lohr

(74) *Attorney, Agent, or Firm*—Shoemaker and Mattare

(57) **CLAIM**

The ornamental design for a caliper for disc brake, as shown and described.

DESCRIPTION

FIG. 1 is a perspective view of a caliper for disc brake, showing my new design from the top, rear, and left side;

FIG. 2 is a perspective view thereof, from the bottom, front and right side;

FIG. 3 is a perspective view thereof, from the top, rear and left side;

FIG. 4 is a perspective view thereof, from the bottom, front and left side;

FIG. 5 is a bottom plan view thereof;

FIG. 6 is a right side elevational view thereof;

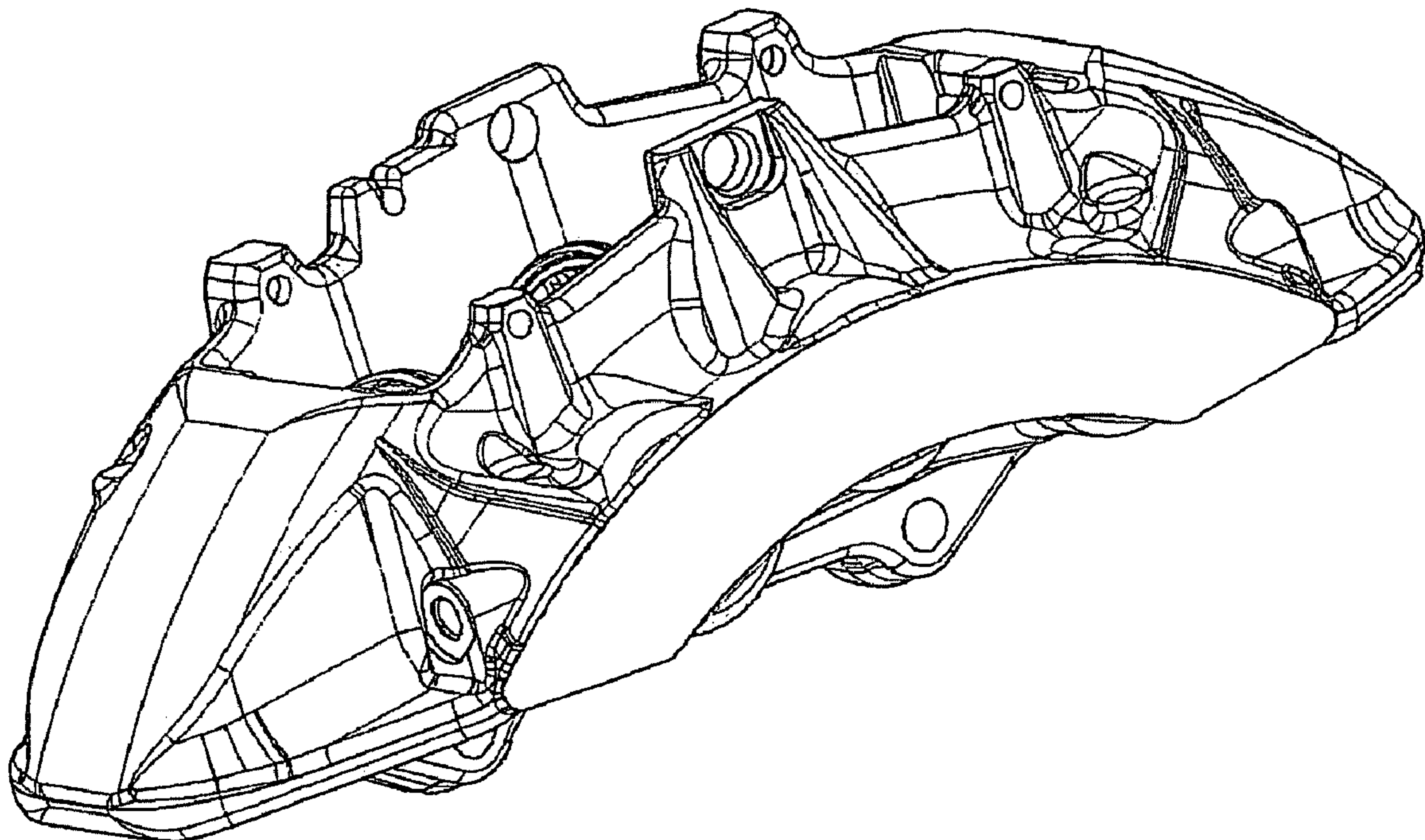
FIG. 7 is a top plan view thereof;

FIG. 8 is a front elevational view thereof;

FIG. 9 is a rear elevational view thereof; and,

FIG. 10 is a left side elevational view thereof.

1 Claim, 10 Drawing Sheets



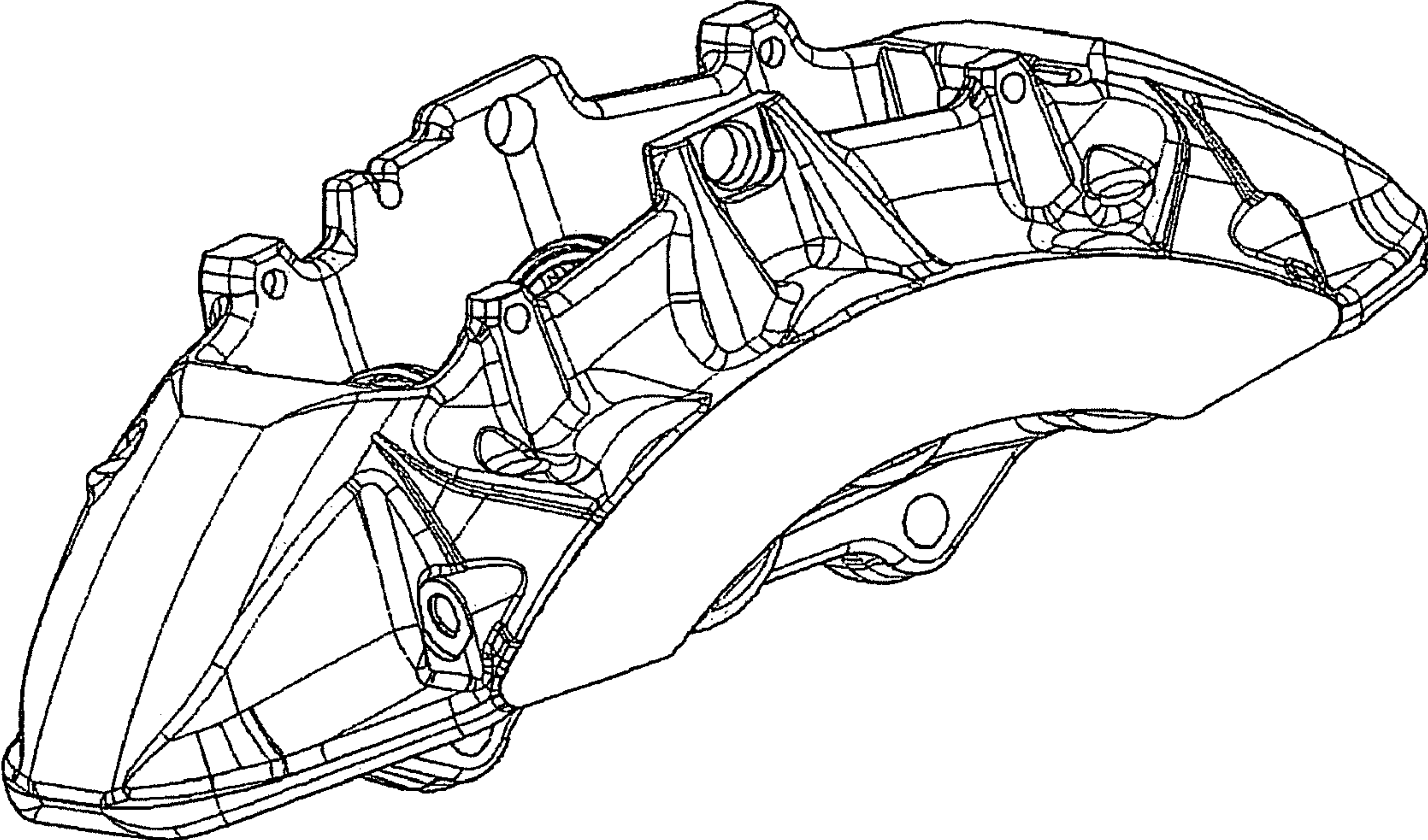


FIG. 1

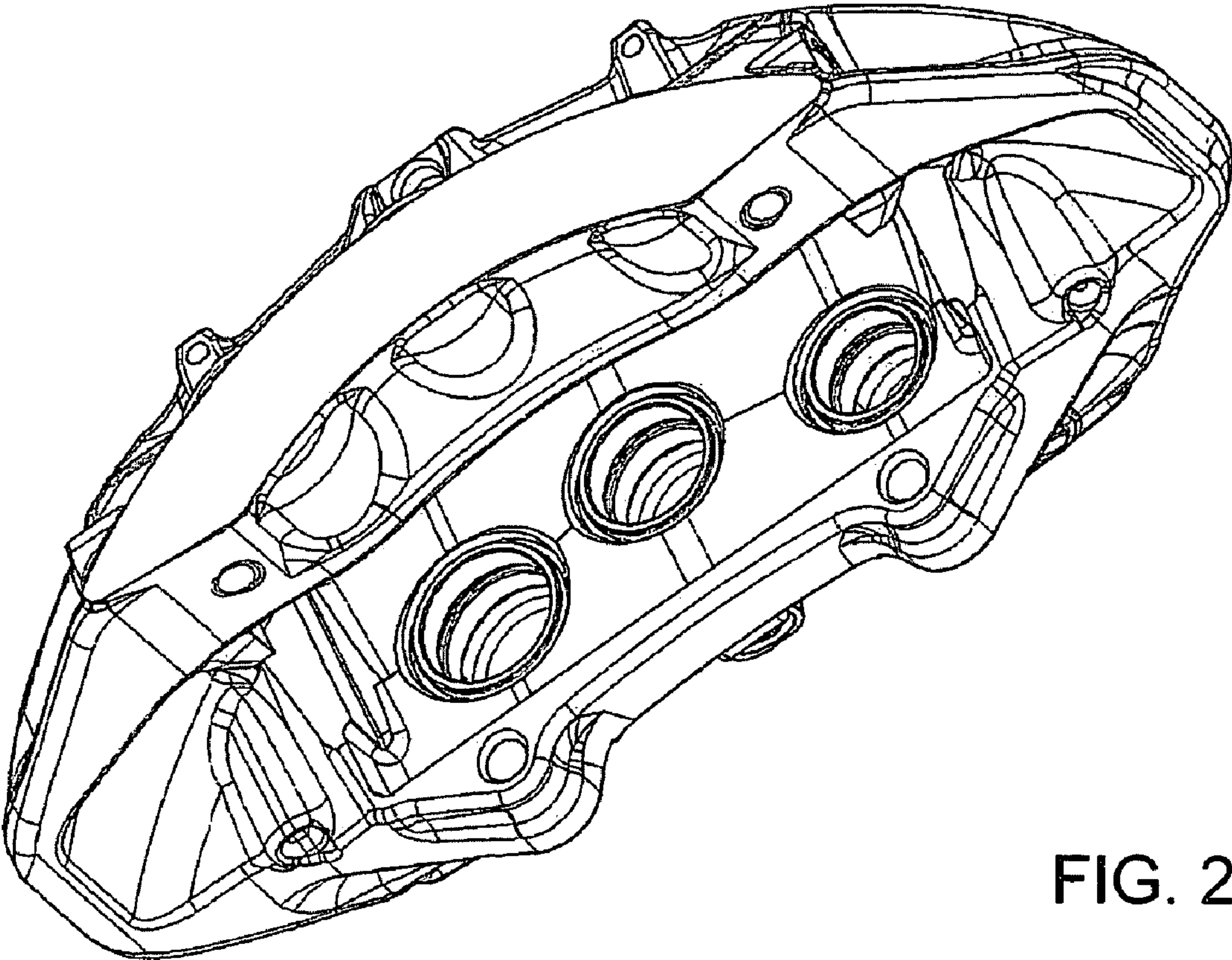


FIG. 2

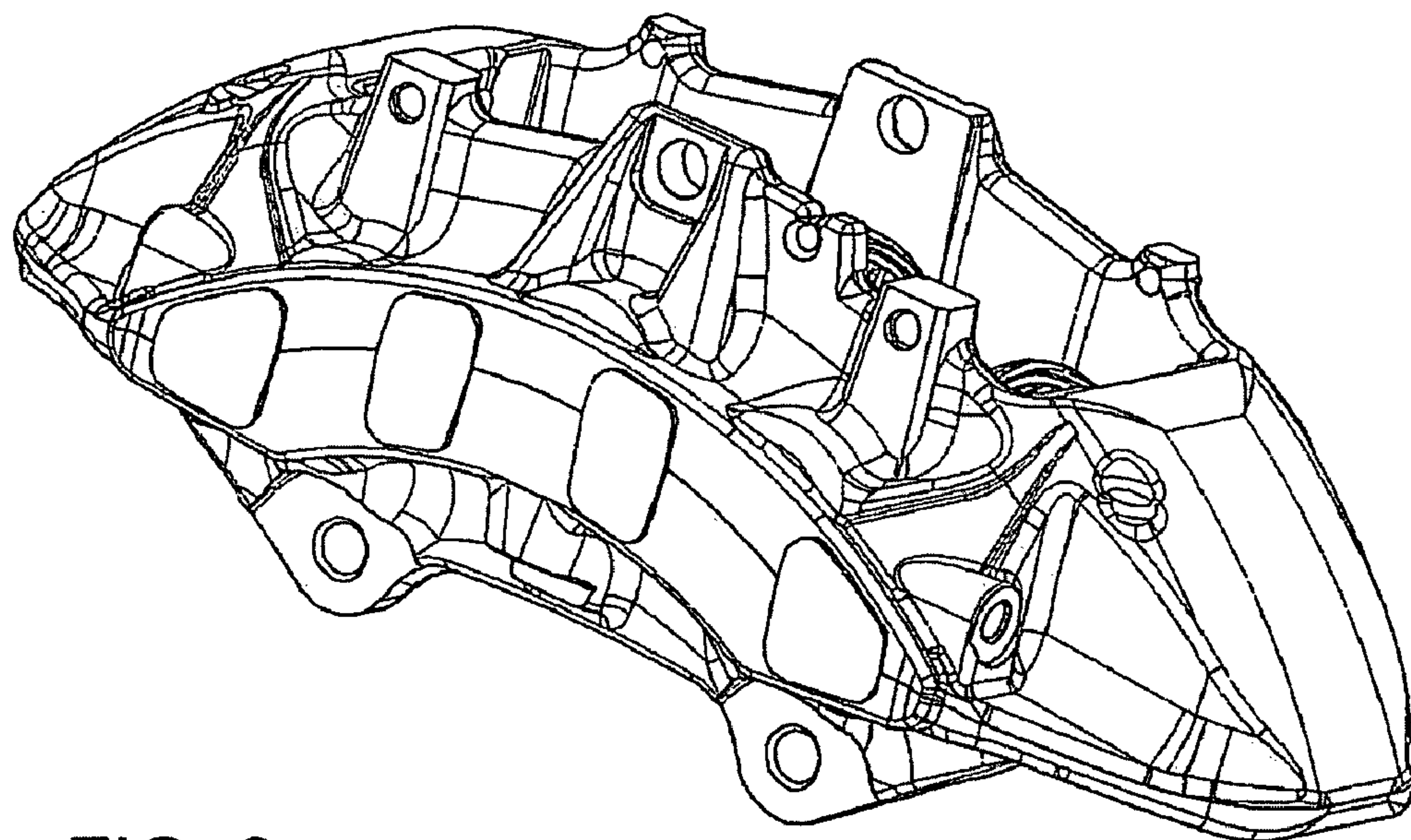


FIG. 3

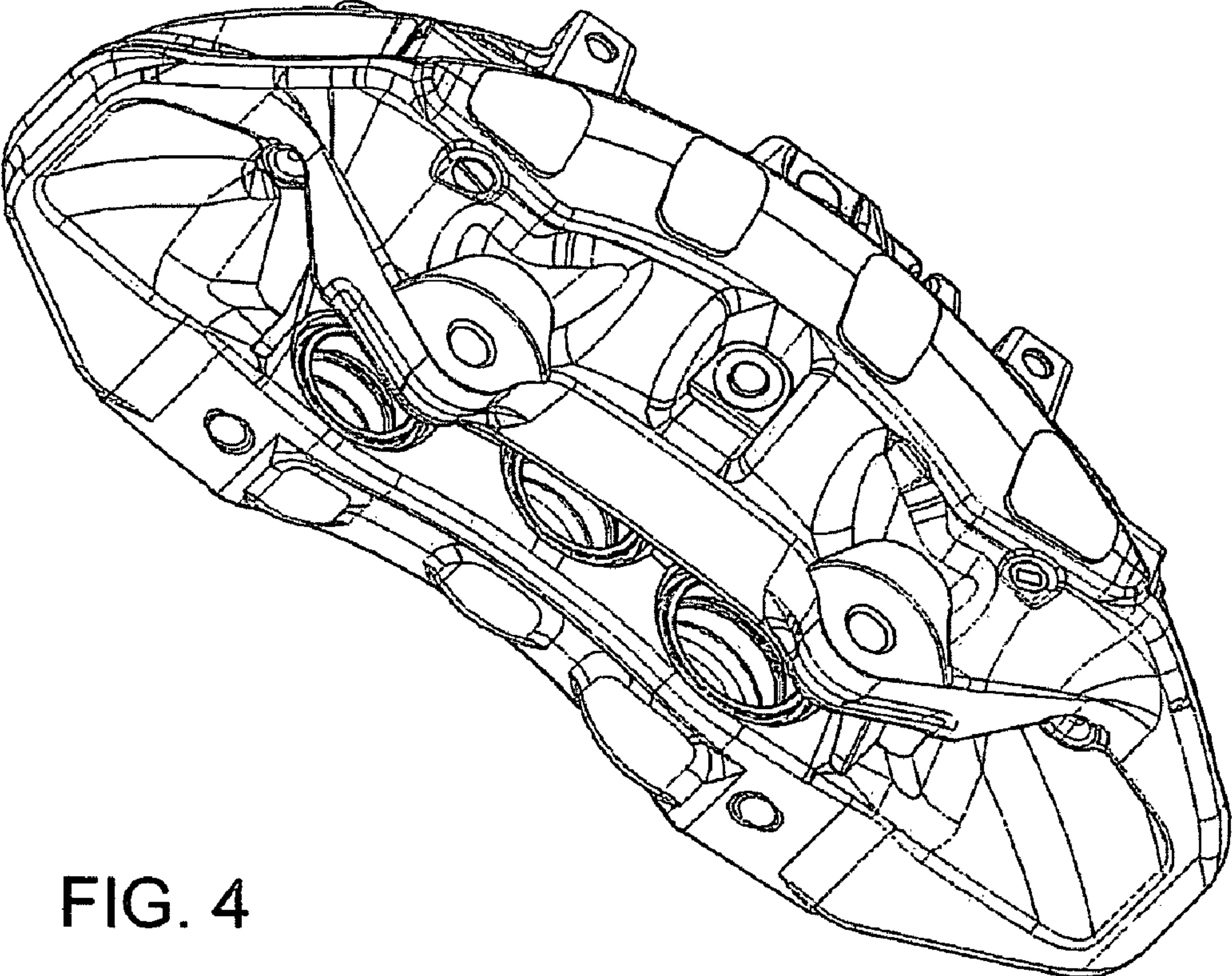


FIG. 4

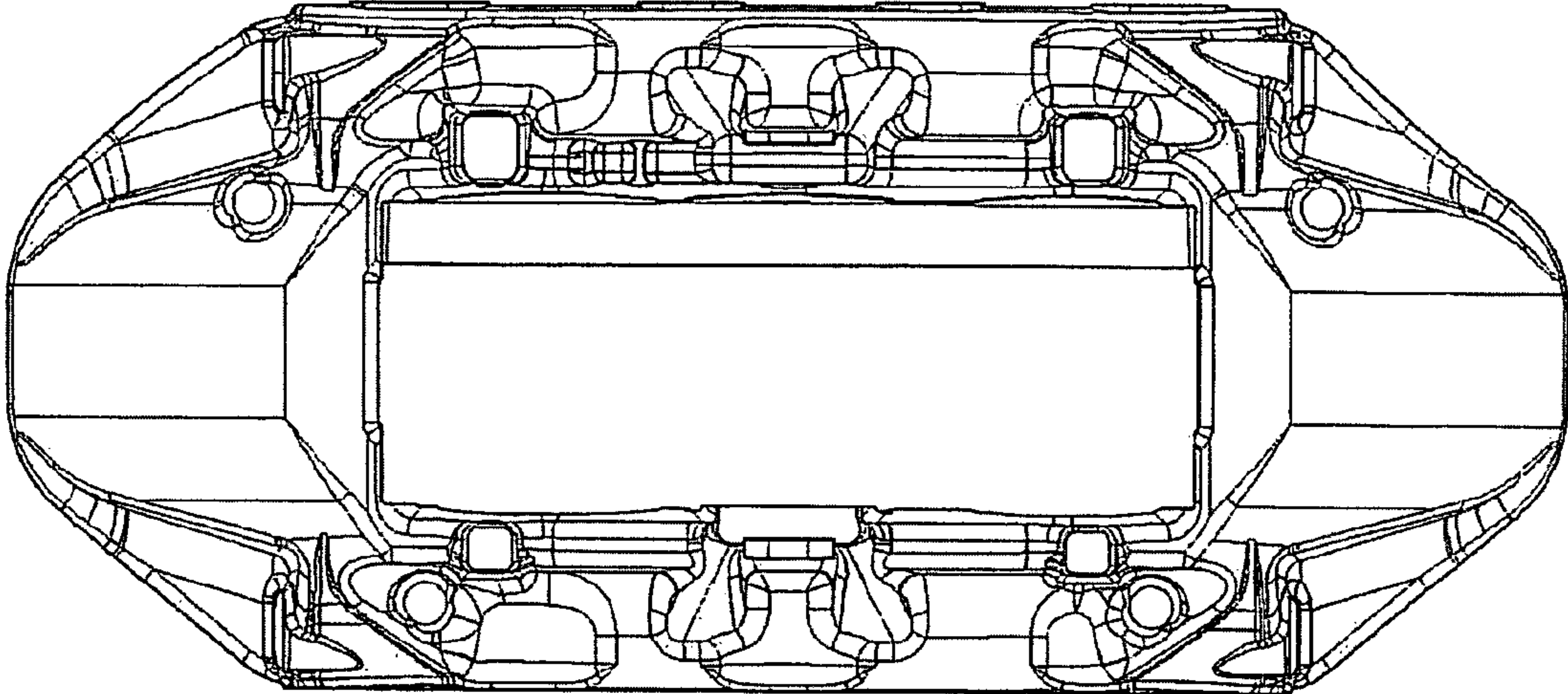


FIG. 5

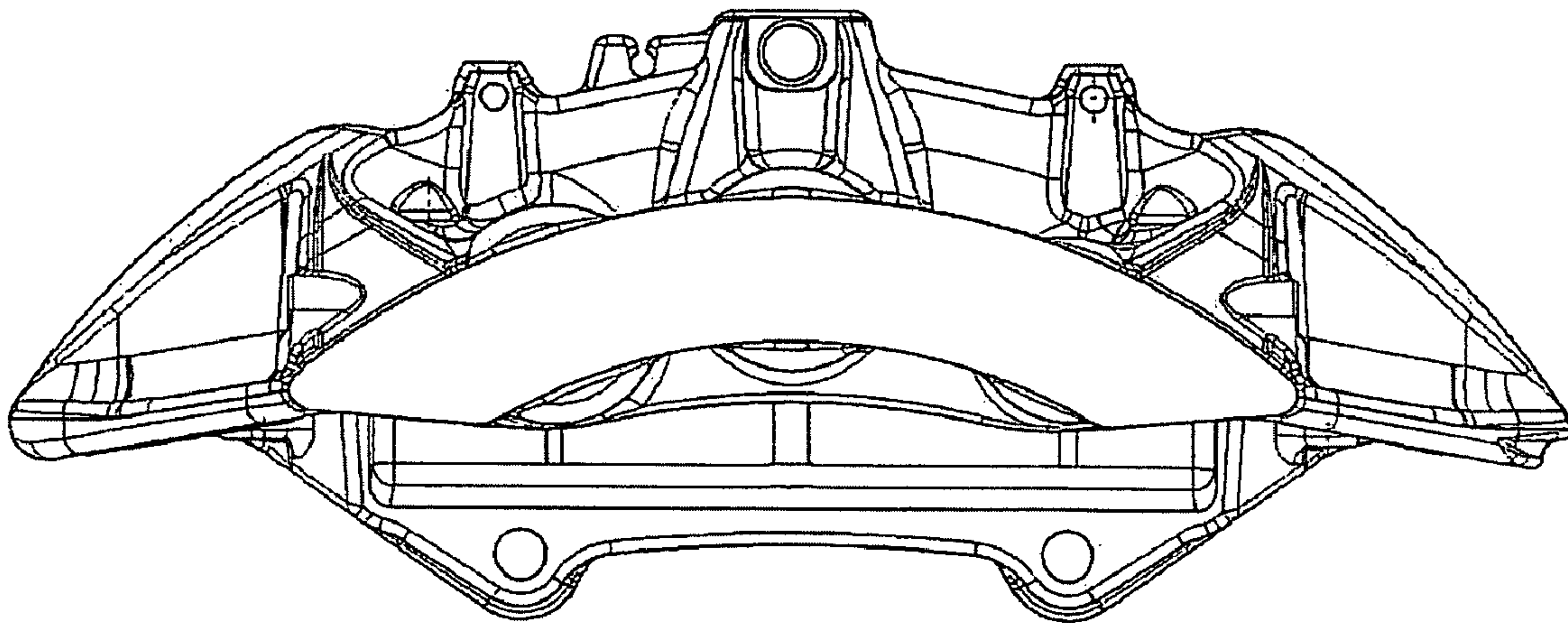


FIG. 6

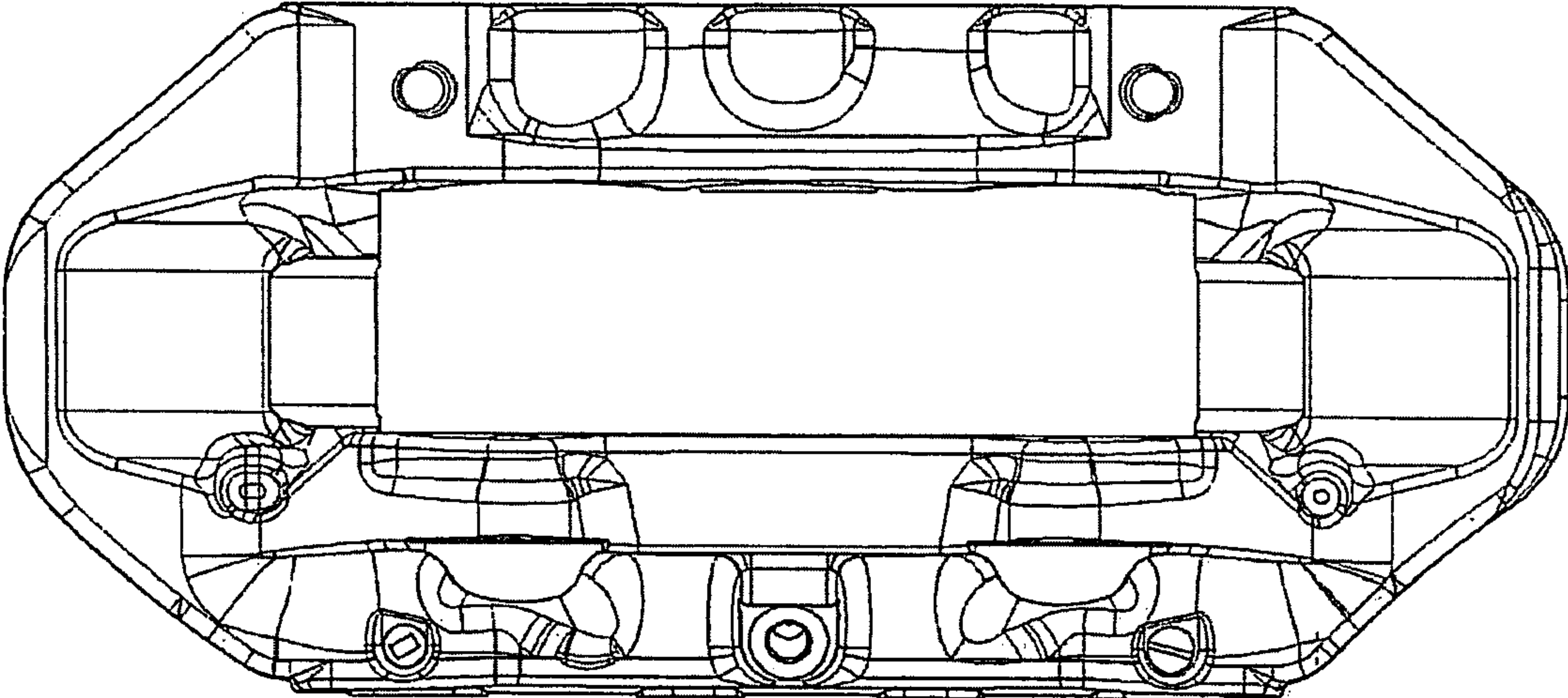


FIG.7

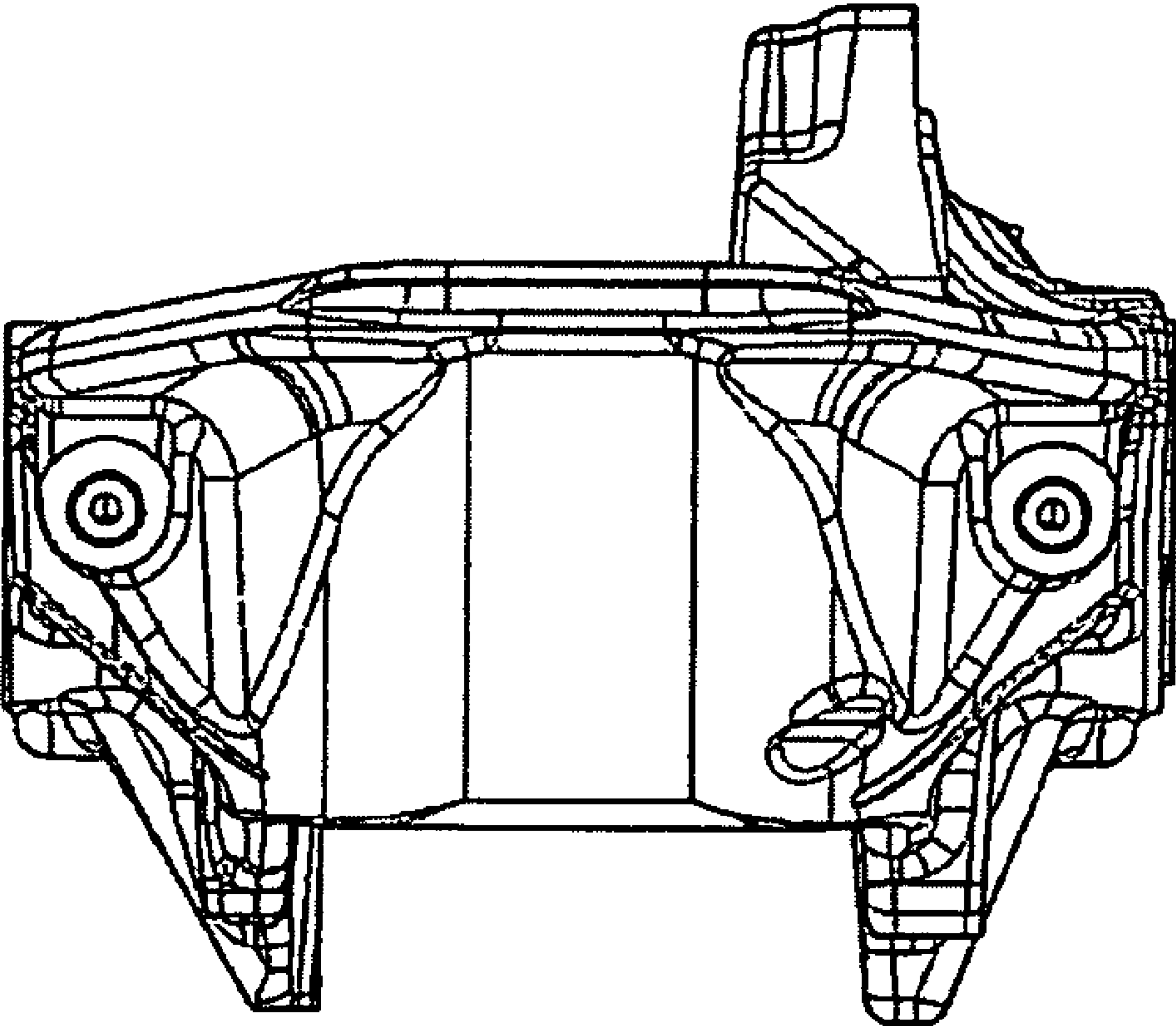


FIG. 8

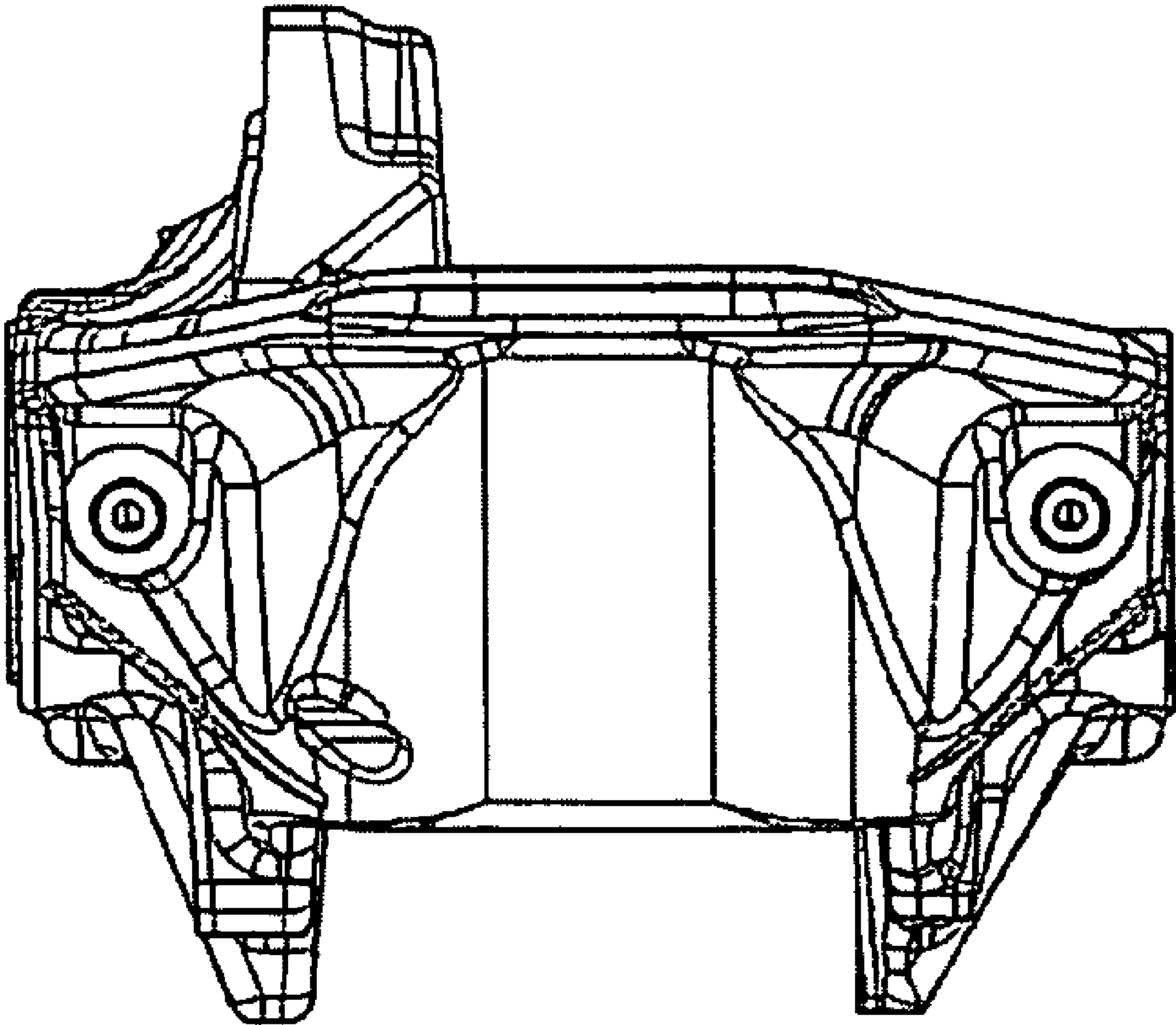


FIG. 9

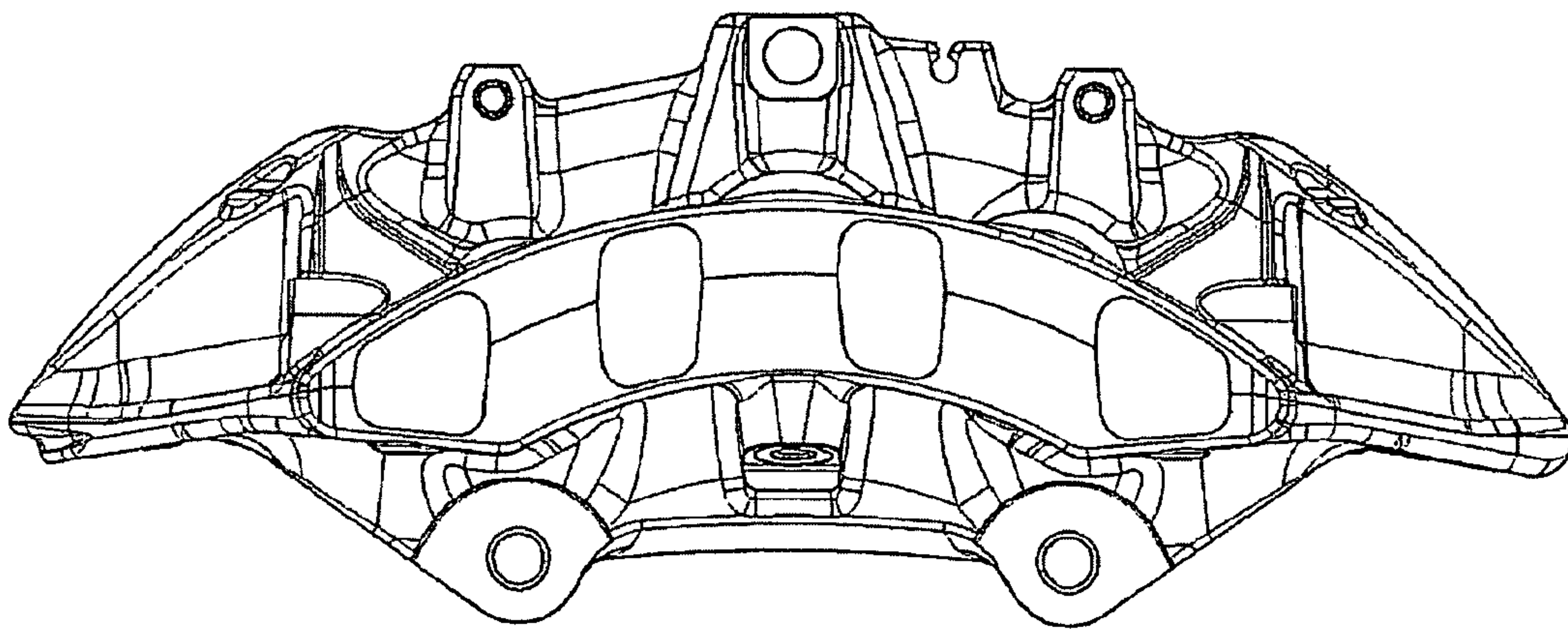


FIG.10