



US00D610054S

(12) **United States Design Patent**
Bauer et al.

(10) **Patent No.:** **US D610,054 S**
(45) **Date of Patent:** **** Feb. 16, 2010**

(54) **REAR PORTION OF A VEHICLE, TOY REPLICA AND/OR OTHER REPLICAS**

Primary Examiner—Melody N Brown
(74) *Attorney, Agent, or Firm*—Crowell & Moring LLP

(75) Inventors: **Karlheinz Bauer**, Esslingen (DE);
Mark Fetherston, Stuttgart (DE);
Hans-Dieter Futschik, Gechingen (DE);
Holger Hutzenlaub, Boeblingen (DE);
Steffen Koehl, Stuttgart (DE); **Frank Pfisterer**, Weil der Stadt (DE); **Marco Schulz**, Holzgerlingen (DE)

(57) **CLAIM**

The ornamental design for a rear portion of a vehicle, toy replica and/or other replicas, as shown and described.

(73) Assignee: **Daimler AG**, Stuttgart (DE)

(**) Term: **14 Years**

(21) Appl. No.: **29/309,075**

(22) Filed: **Jun. 18, 2008**

(30) **Foreign Application Priority Data**

Dec. 21, 2007 (EM) 000849450-0003

(51) **LOC (9) Cl.** **12-16**

(52) **U.S. Cl.** **D12/164**

(58) **Field of Classification Search** D12/164,
D12/196, 90-92, 86; 296/181.1, 181.5
See application file for complete search history.

(56) **References Cited**

U.S. PATENT DOCUMENTS

D548,157 S * 8/2007 Frye et al. D12/196
D588,499 S * 3/2009 Pfeiffer D12/92
D599,708 S * 9/2009 Li et al. D12/92

* cited by examiner

DESCRIPTION

This application is related to the following co-pending applications:

Application Ser. No. 29/309,077, entitled Vehicle, Toy, or Likeness Thereof;

Application Ser. No. 29/309,072, entitled Rear Portion of a Vehicle, Toy, or Likeness Thereof; and

Application Ser. No. 29/309,074, entitled Vehicle, Toy, or Likeness Thereof.

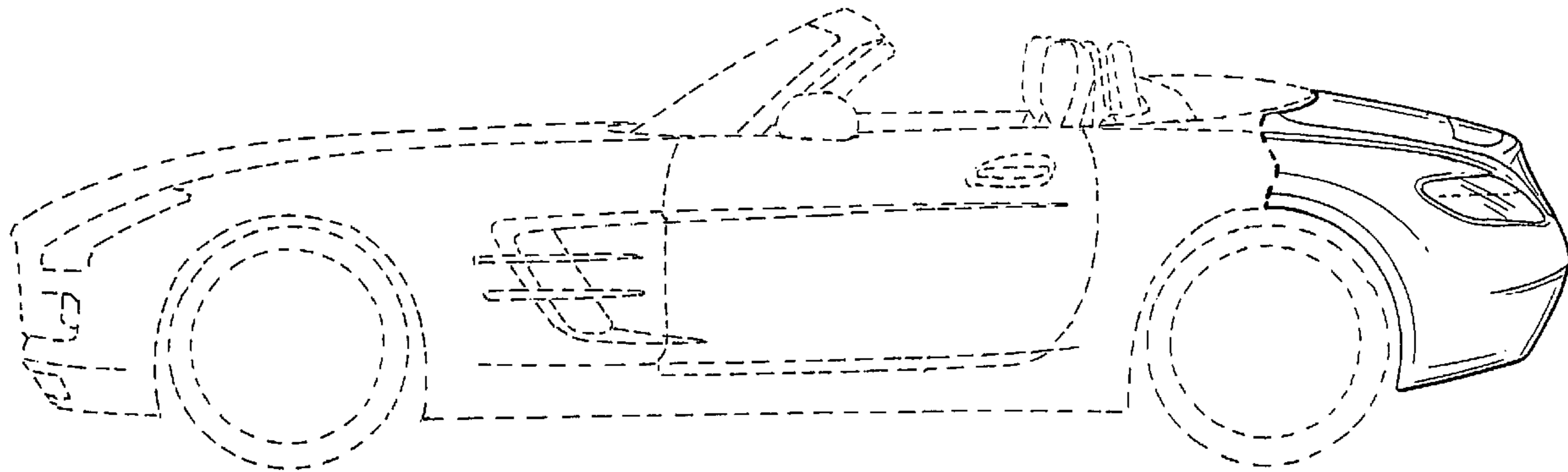
FIG. 1 is a left perspective view of a rear portion of a vehicle, toy replica and/or other replicas according to our novel design, the right perspective view being mirror symmetrical; FIG. 2 is a left side view thereof, the right side view being mirror symmetrical;

FIG. 3 is a front view thereof; and,

FIG. 4 is a top view thereof.

The broken lines are for illustrative purposes only and form no part of the claimed design.

1 Claim, 3 Drawing Sheets



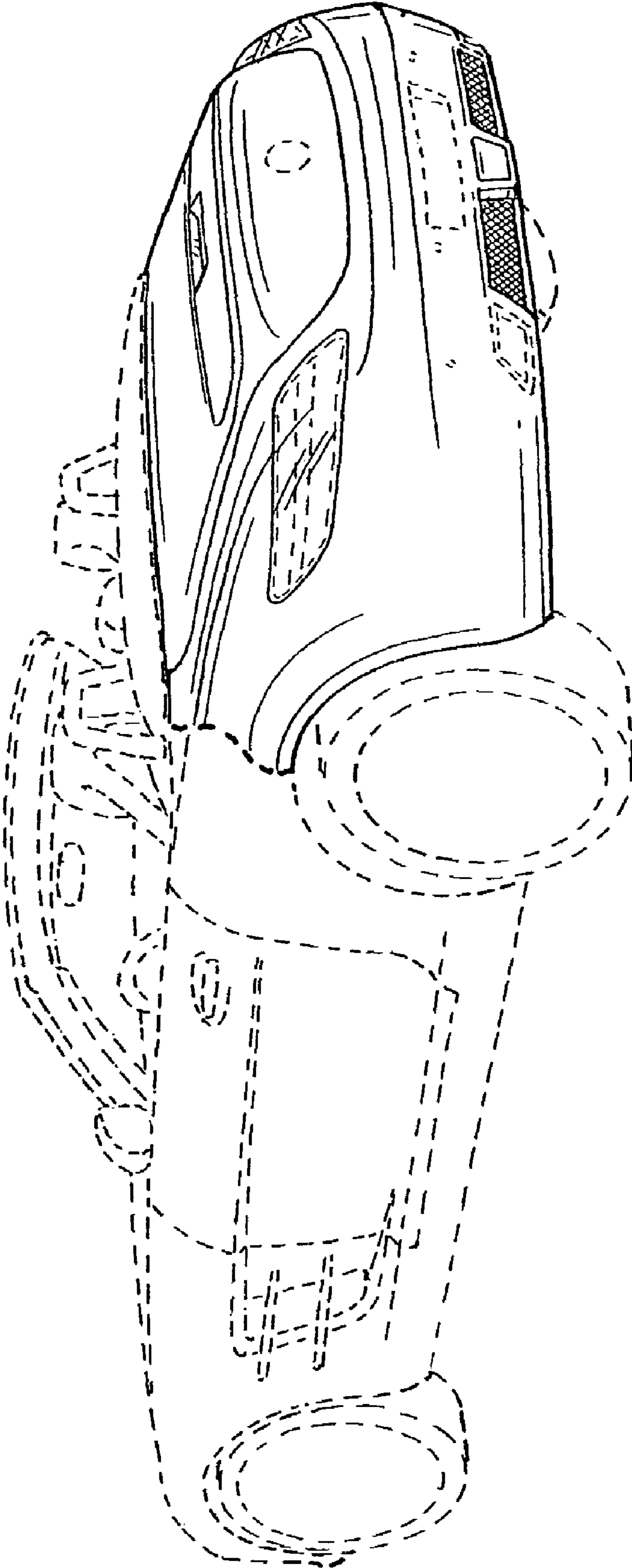
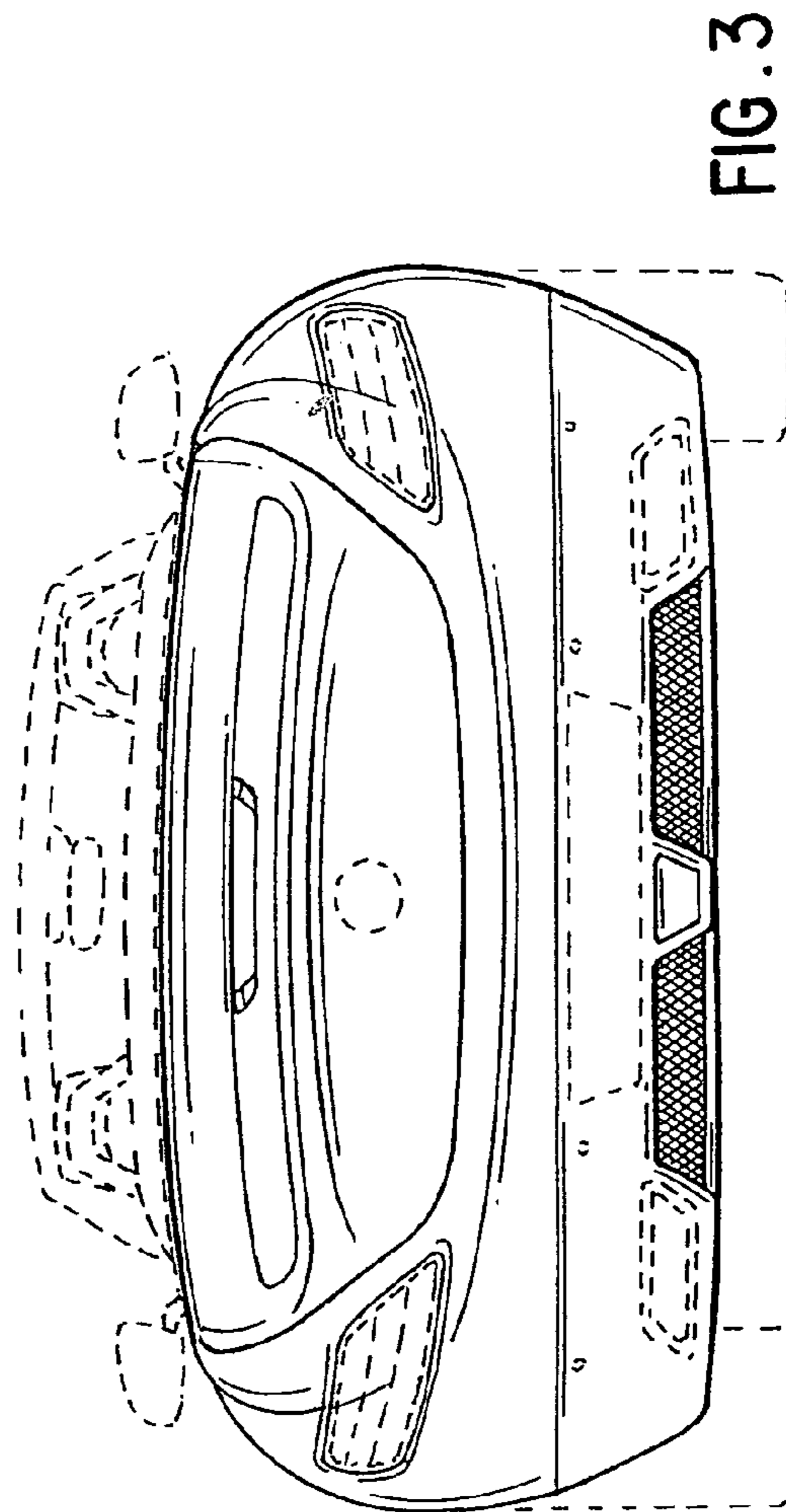
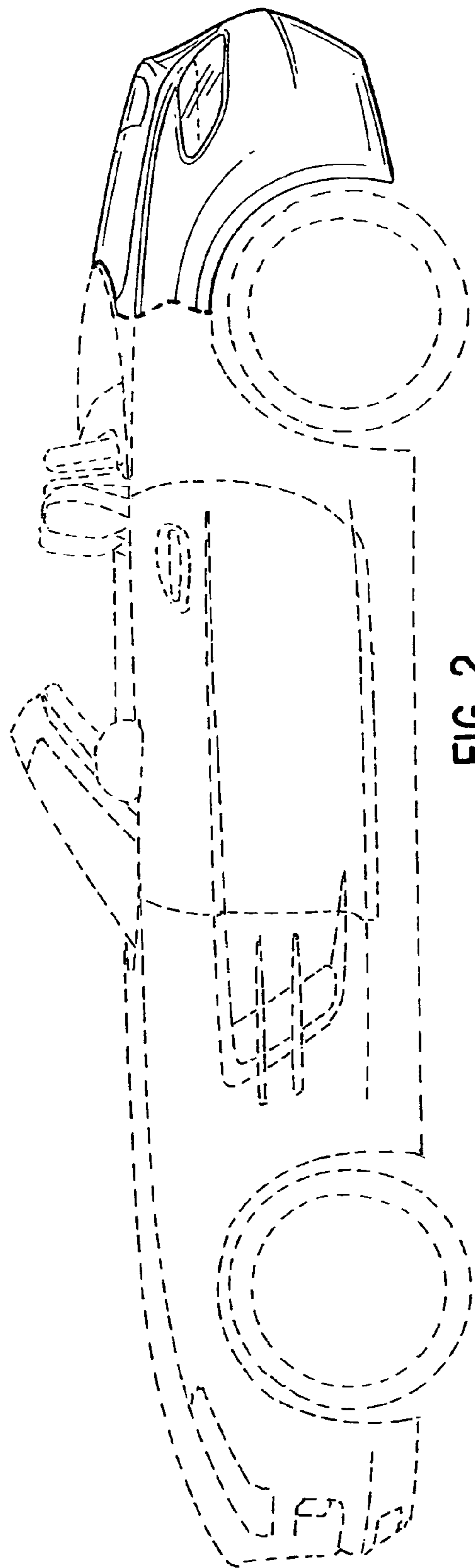


FIG. 1



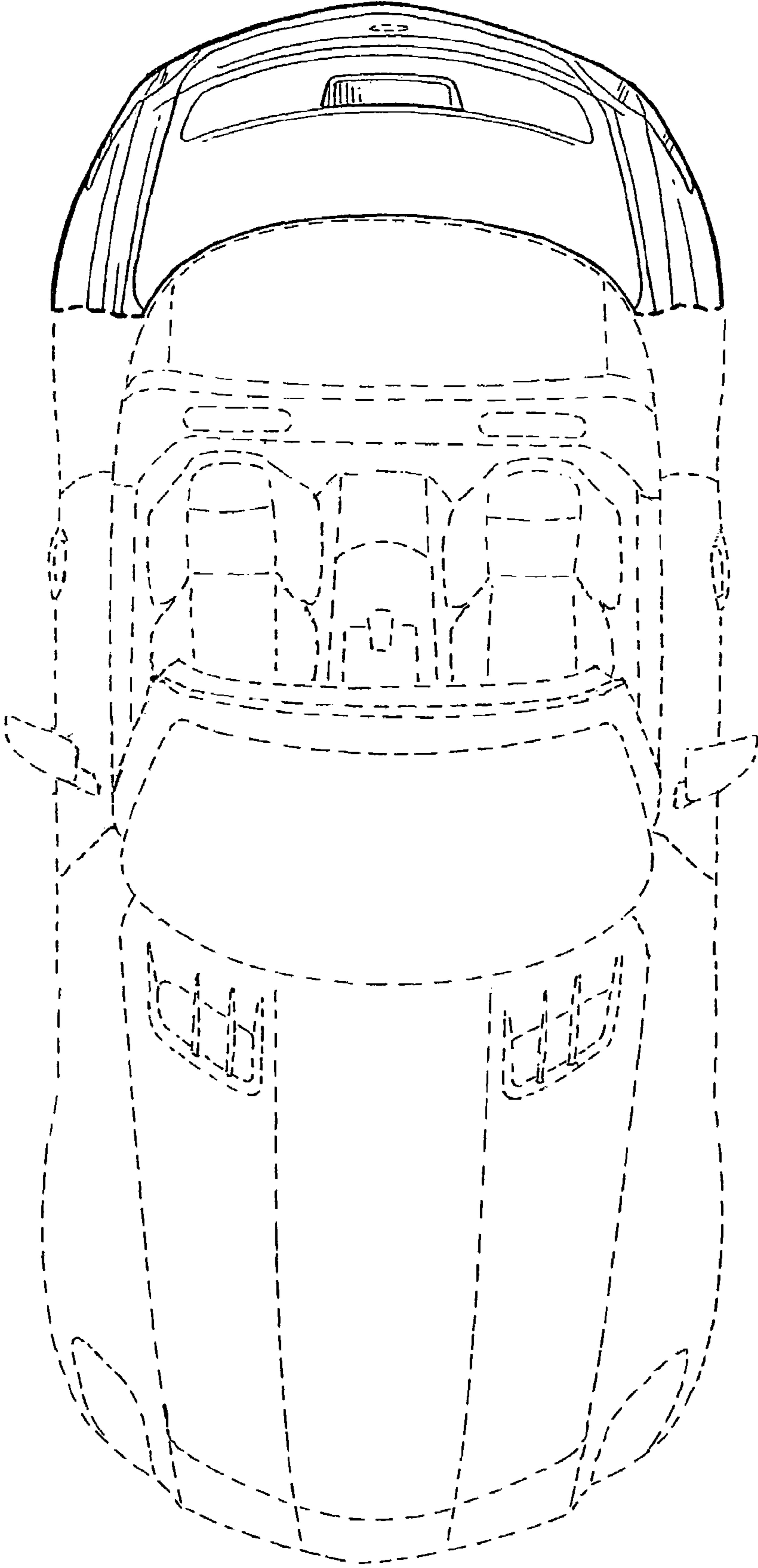


FIG. 4