



US00D610052S

(12) **United States Design Patent**  
**Watanabe**

(10) **Patent No.:** **US D610,052 S**  
(45) **Date of Patent:** **\*\* Feb. 16, 2010**

(54) **GRILL FOR AUTOMOBILE**  
(75) Inventor: **Takayuki Watanabe**, Wako (JP)  
(73) Assignee: **Honda Motor Co., Ltd.**, Tokyo (JP)  
(\*\*) Term: **14 Years**  
(21) Appl. No.: **29/338,243**  
(22) Filed: **Jun. 8, 2009**  
(30) **Foreign Application Priority Data**  
Dec. 12, 2008 (JP) ..... 2008-031605

D573,924 S \* 7/2008 Tachibana ..... D12/163  
D575,688 S \* 8/2008 Miyata et al. .... D12/163  
D584,198 S \* 1/2009 Tamura ..... D12/163  
D592,564 S \* 5/2009 Kusamoto et al. .... D12/163

\* cited by examiner

*Primary Examiner*—Melody N Brown

(74) *Attorney, Agent, or Firm*—Westerman, Hattori, Daniels & Adrian, LLP

(57) **CLAIM**

The ornamental design for a grill for automobile, as shown and described.

**DESCRIPTION**

FIG. 1 is a perspective view from the front side of a grill for automobile.

FIG. 2 is a front elevation view thereof.

FIG. 3 is a top plan view thereof; and,

FIG. 4 is a right side elevation view thereof.

The portion of the grill shown in broken lines is for the purpose of showing background structure only and forms no part of the claimed design.

(51) **LOC (9) Cl.** ..... **12-16**  
(52) **U.S. Cl.** ..... **D12/163**  
(58) **Field of Classification Search** ..... D12/163,  
D12/196, 171, 169, 216, 90-92, 86; 180/68.1,  
180/68.6; 296/193.11  
See application file for complete search history.

(56) **References Cited**

**U.S. PATENT DOCUMENTS**

D475,662 S \* 6/2003 Koizumi et al. .... D12/163  
D557,641 S \* 12/2007 Davidson ..... D12/163

**1 Claim, 4 Drawing Sheets**

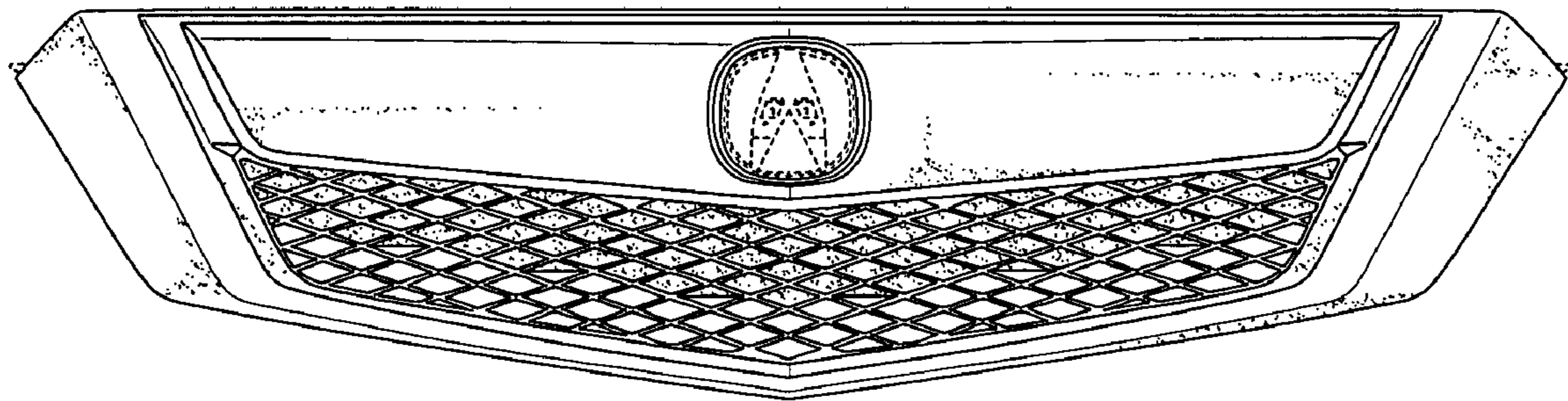


FIG. 1

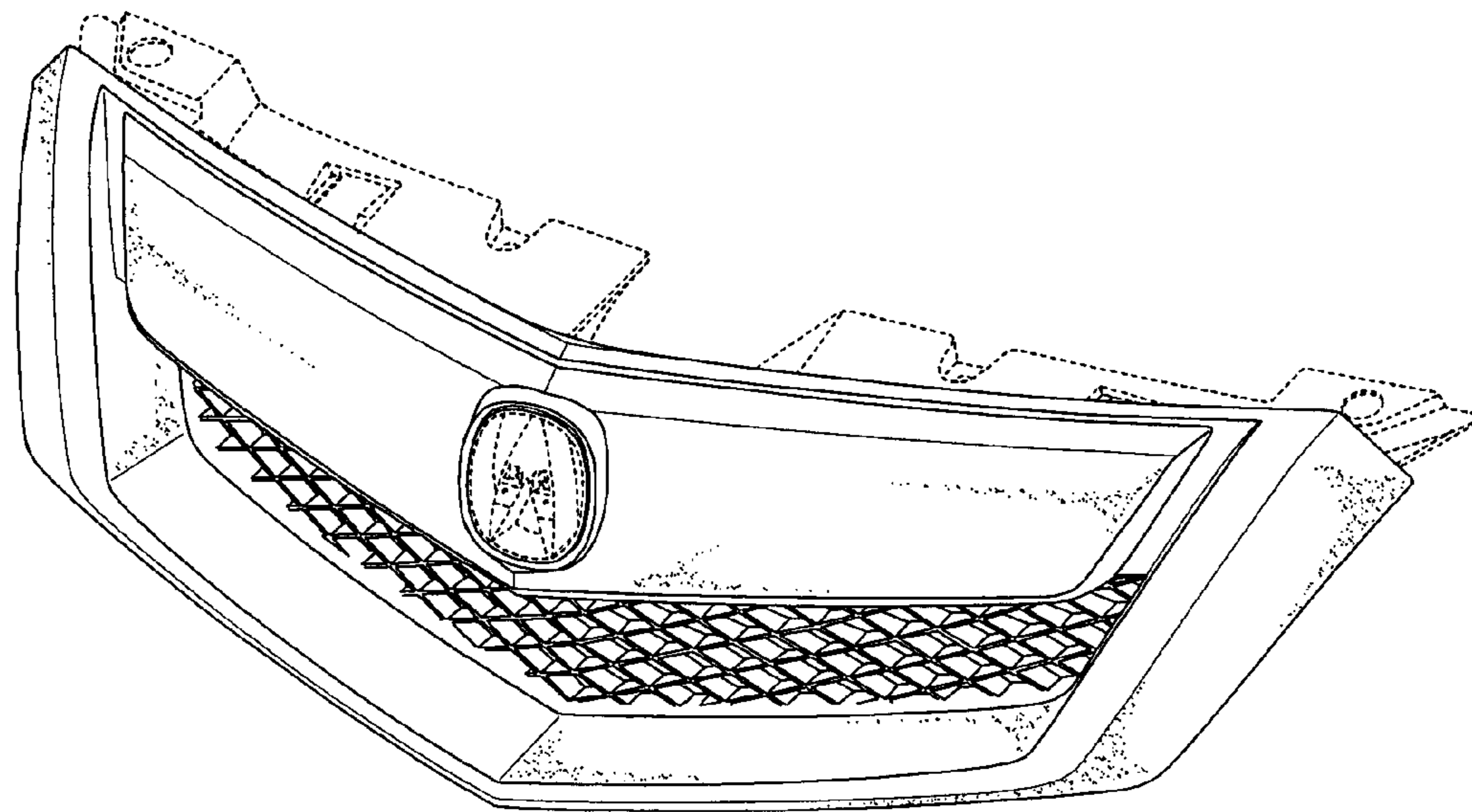


FIG. 2

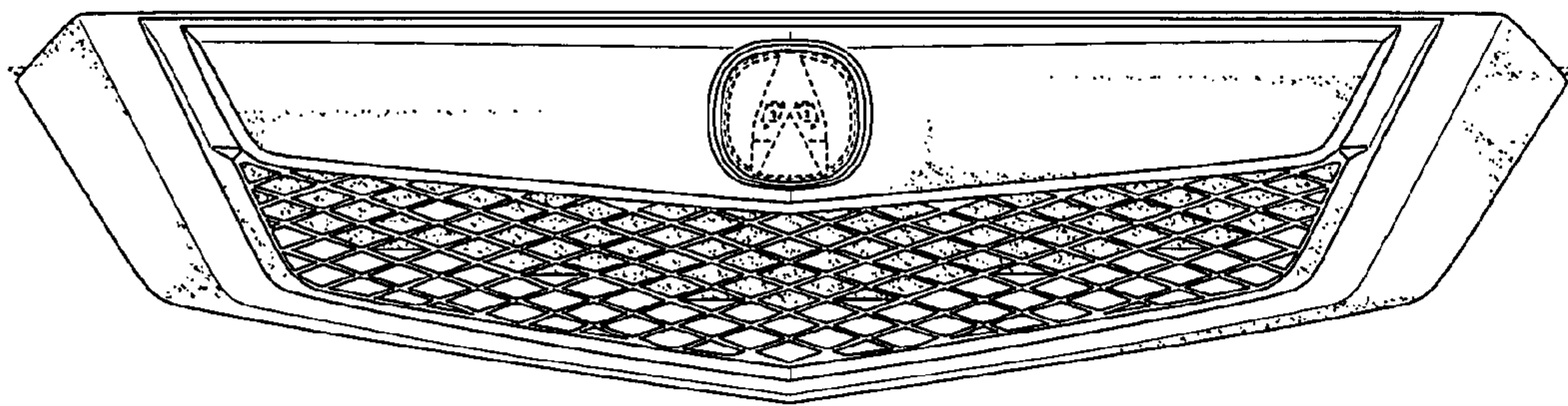


FIG. 3

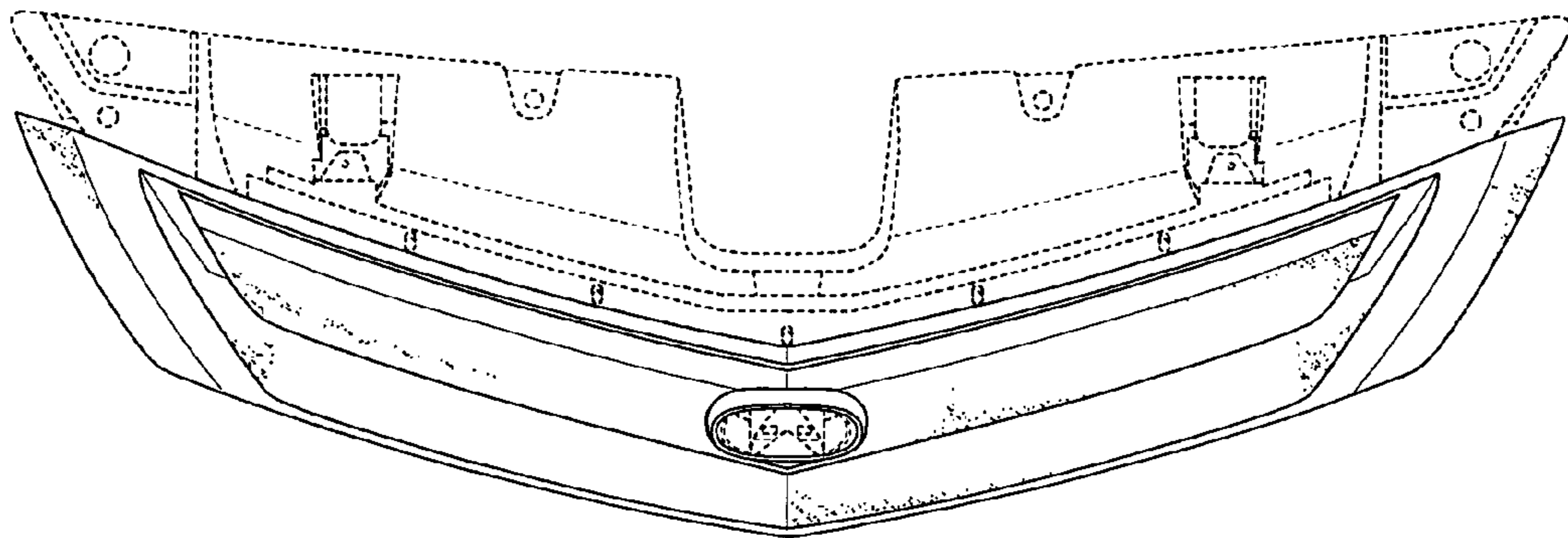


FIG. 4

