



US00D610050S

(12) **United States Design Patent**  
**Madden**

(10) **Patent No.:** **US D610,050 S**

(45) **Date of Patent:** **\*\* Feb. 16, 2010**

(54) **MOTORCYCLE STARTER COVER**

D596,537 S \* 7/2009 Madden ..... D12/126

(75) Inventor: **Kenneth E. Madden**, Andover, MN  
(US)

(73) Assignee: **Kuryakyn Holdings, Inc.**, Somerset, WI  
(US)

(\*\*) Term: **14 Years**

(21) Appl. No.: **29/315,338**

(22) Filed: **Jun. 16, 2009**

(51) **LOC (9) Cl.** ..... **12-11**

(52) **U.S. Cl.** ..... **D12/126**

(58) **Field of Classification Search** ..... D12/126,  
D12/127, 110, 114; D15/1-5; 123/179.1,  
123/179.28, 179.25, 185.14, 195 C, 198 E;  
290/36 R, 38 R, 48, 50; 180/219, 220; 74/6,  
74/7 A, 606 R; 310/89; D13/112, 113, 122,  
D13/184; 280/288.4

See application file for complete search history.

(56) **References Cited**

**U.S. PATENT DOCUMENTS**

D138,774 S *	9/1944	Hodges et al.	.....	D13/113
2,441,990 A *	5/1948	Calhoun	.....	74/606 R
D346,773 S *	5/1994	Sarver et al.	.....	D12/126
D429,216 S *	8/2000	Hemphill	.....	D13/113
6,424,065 B1 *	7/2002	Vlemmings et al.	.....	310/89
D595,191 S *	6/2009	Madden	.....	D12/126

**OTHER PUBLICATIONS**

J & P Cycles © 2007 Keeping the World on 2 Wheels® Metric Cruiser Catalog, Starter Cover for 2004-07 RoadStar on p. 99.\*

\* cited by examiner

*Primary Examiner*—Adir Aronovich

*Assistant Examiner*—Linda G. Brooks

(74) *Attorney, Agent, or Firm*—Dicke, Billig & Czaja, PLLC

(57) **CLAIM**

The ornamental design for a motorcycle starter cover, as shown and described.

**DESCRIPTION**

FIG. 1 is a front perspective view of the motorcycle starter cover of the present invention.

FIG. 2 is a front elevation view thereof.

FIG. 3 is a rear elevation view thereof.

FIG. 4 is a top view thereof.

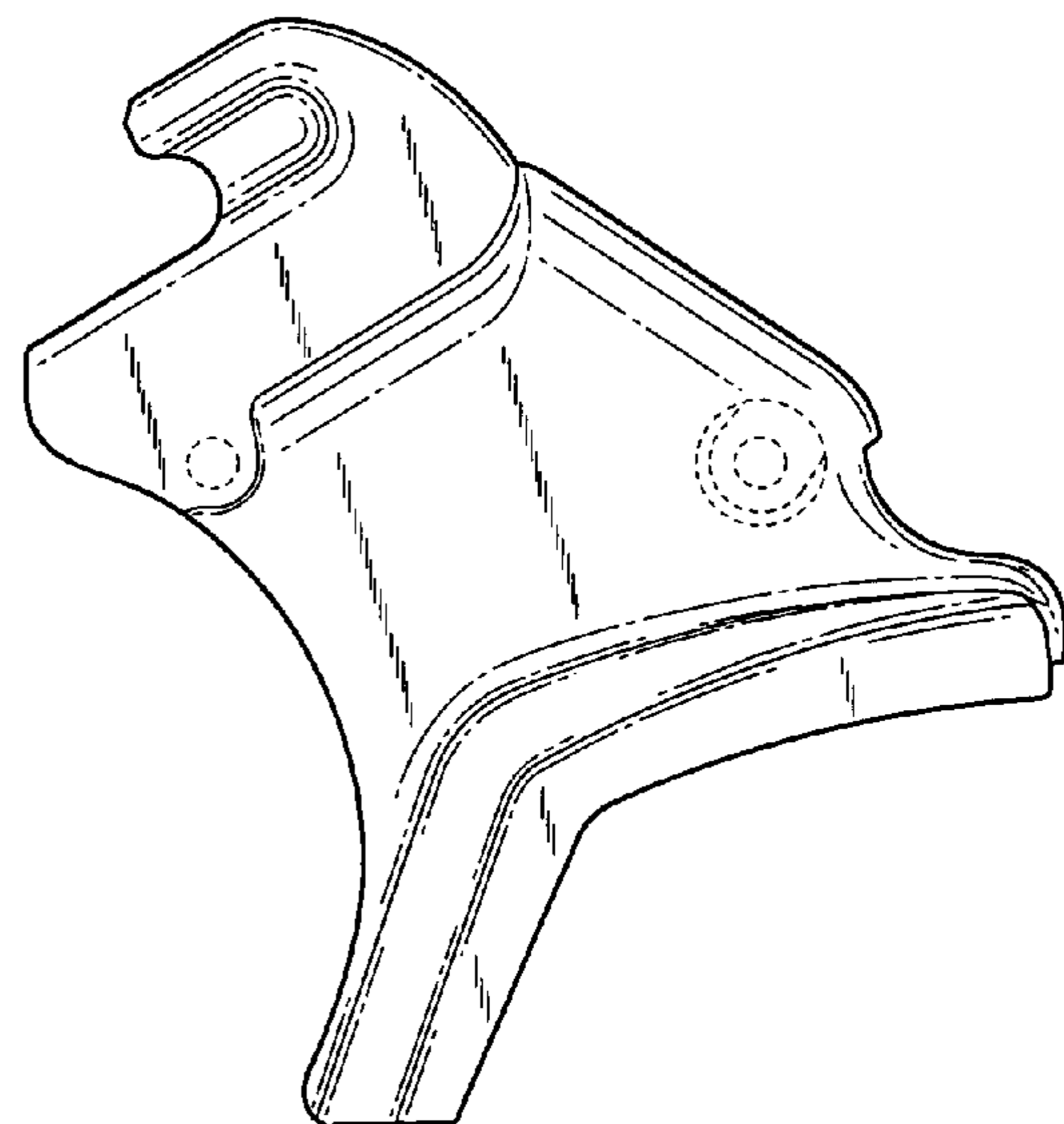
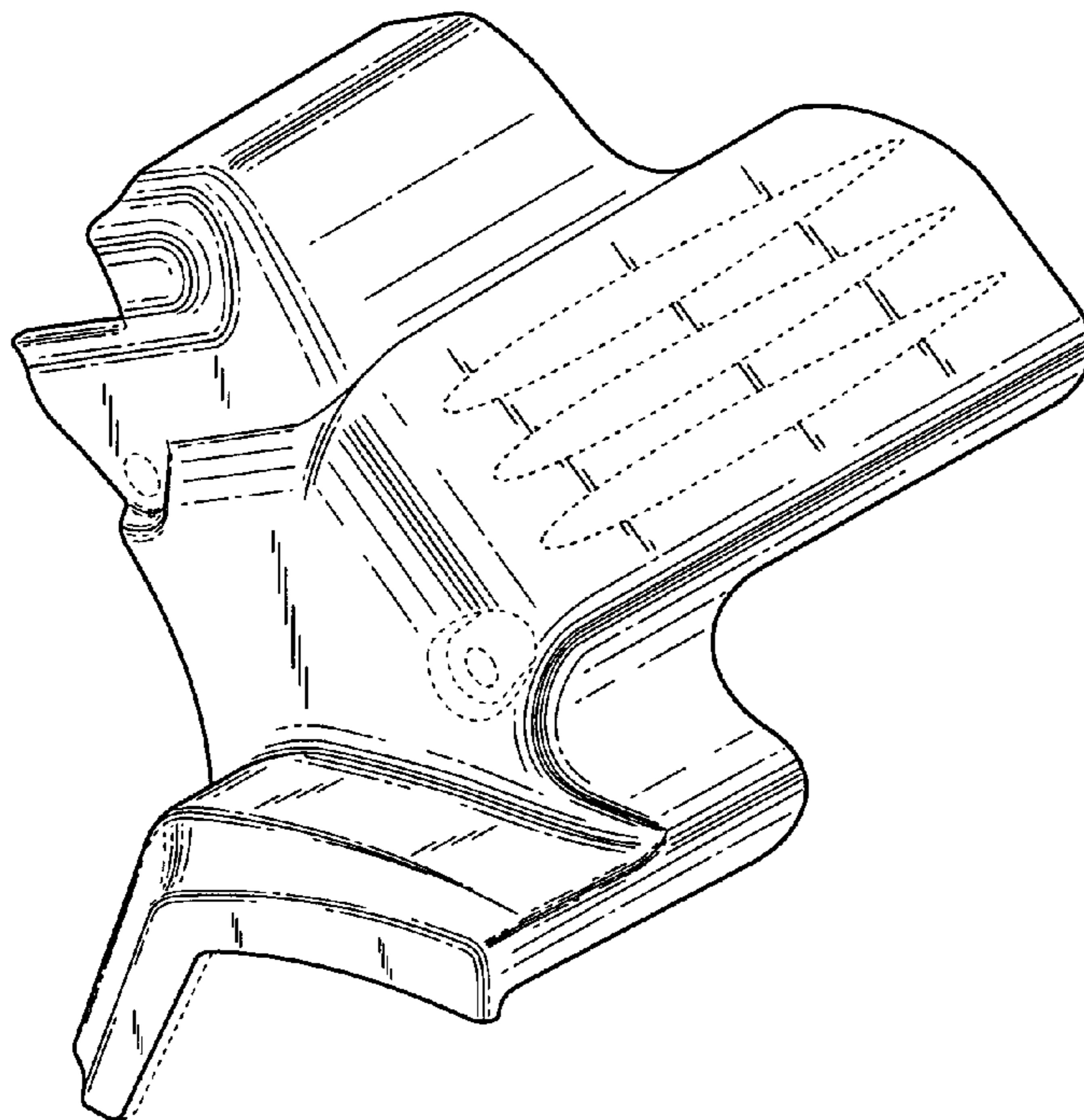
FIG. 5 is a bottom view thereof.

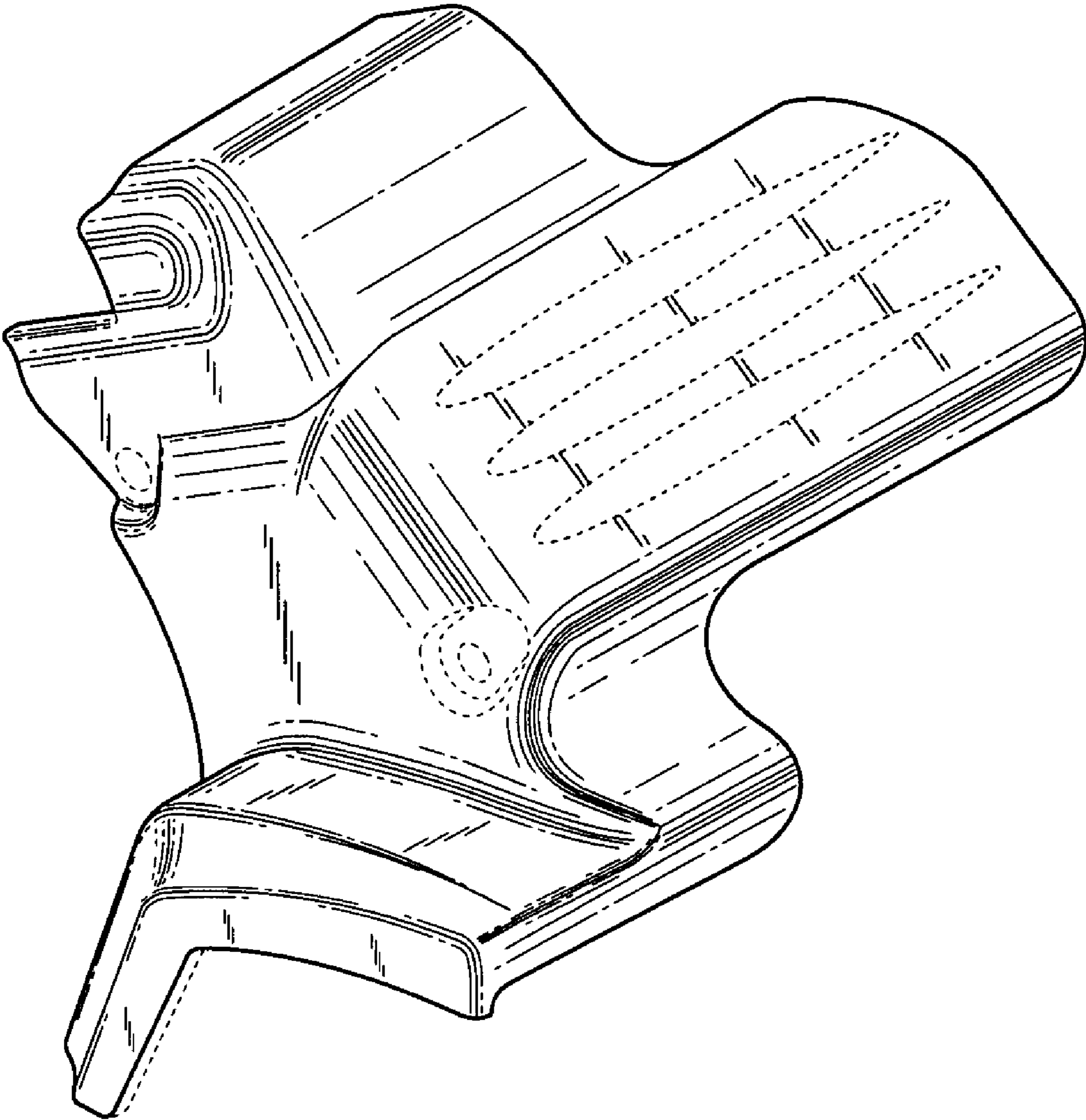
FIG. 6 is a right side view thereof; and,

FIG. 7 is a left side view thereof.

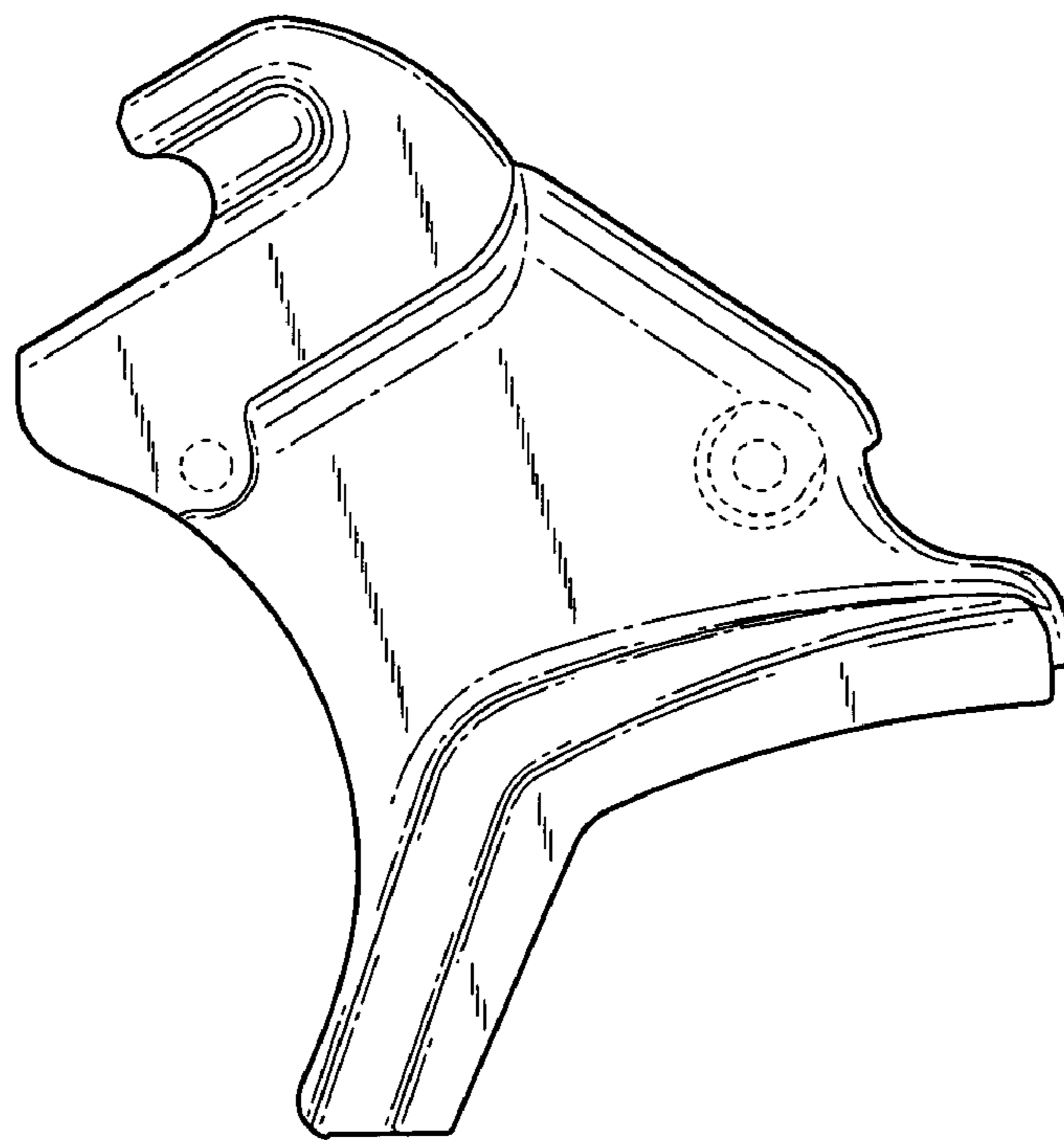
The rear surface, front surface portions and connectors of the motorcycle starter cover disclosed in broken lines are shown for illustrative purposes only and form no part of the claimed design.

**1 Claim, 4 Drawing Sheets**

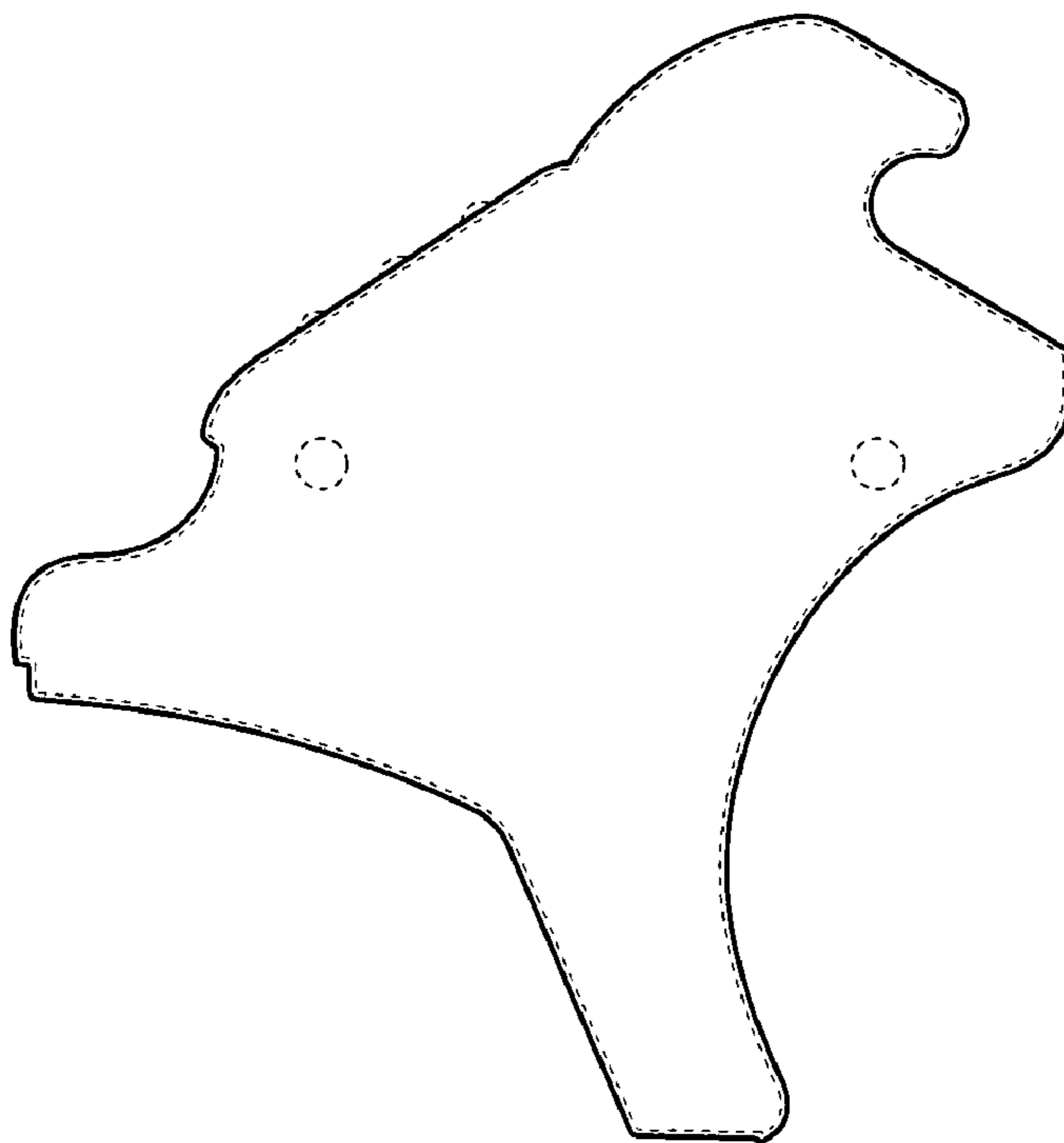




**Fig. 1**



**Fig. 2**



**Fig. 3**

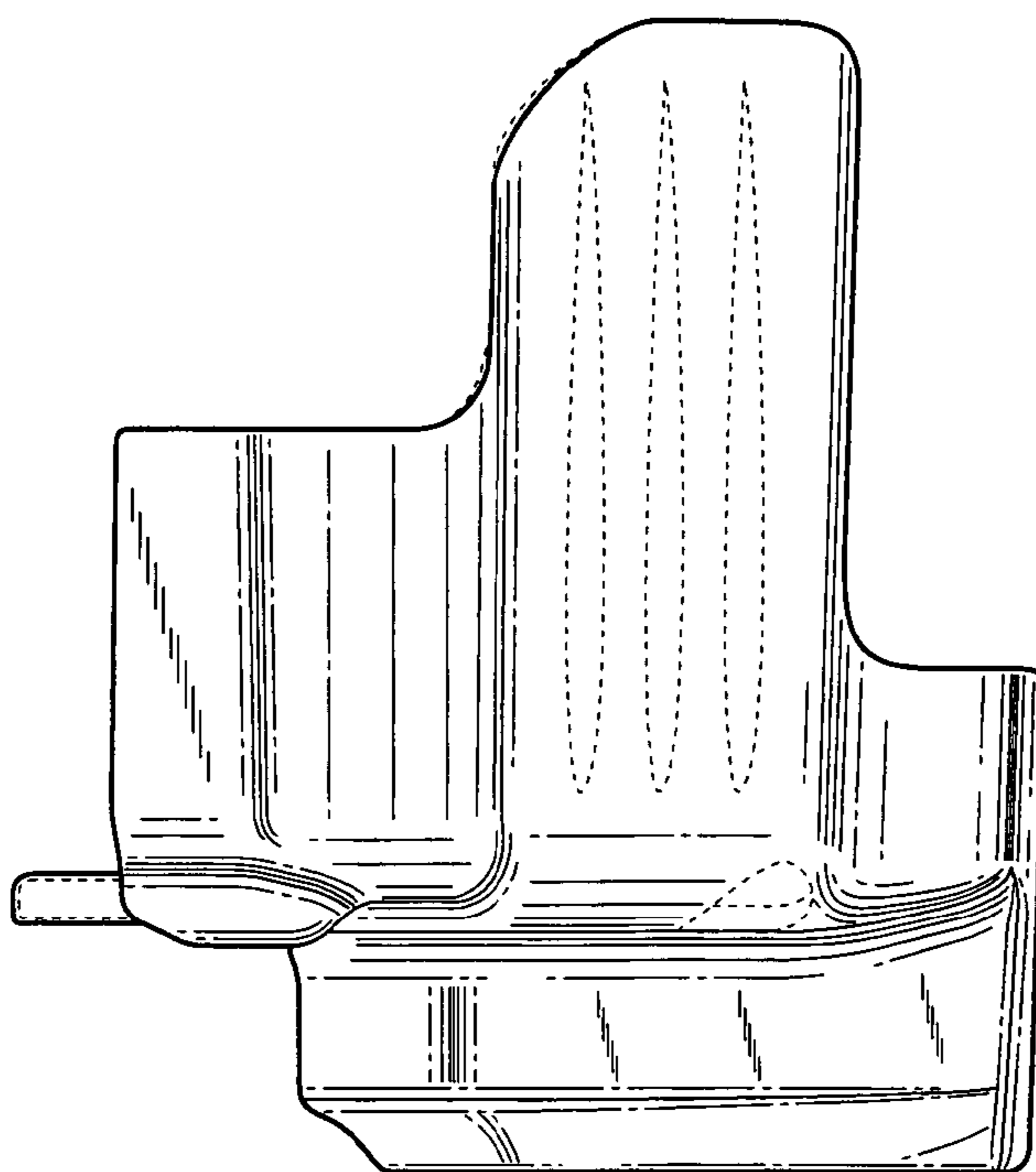


Fig. 4

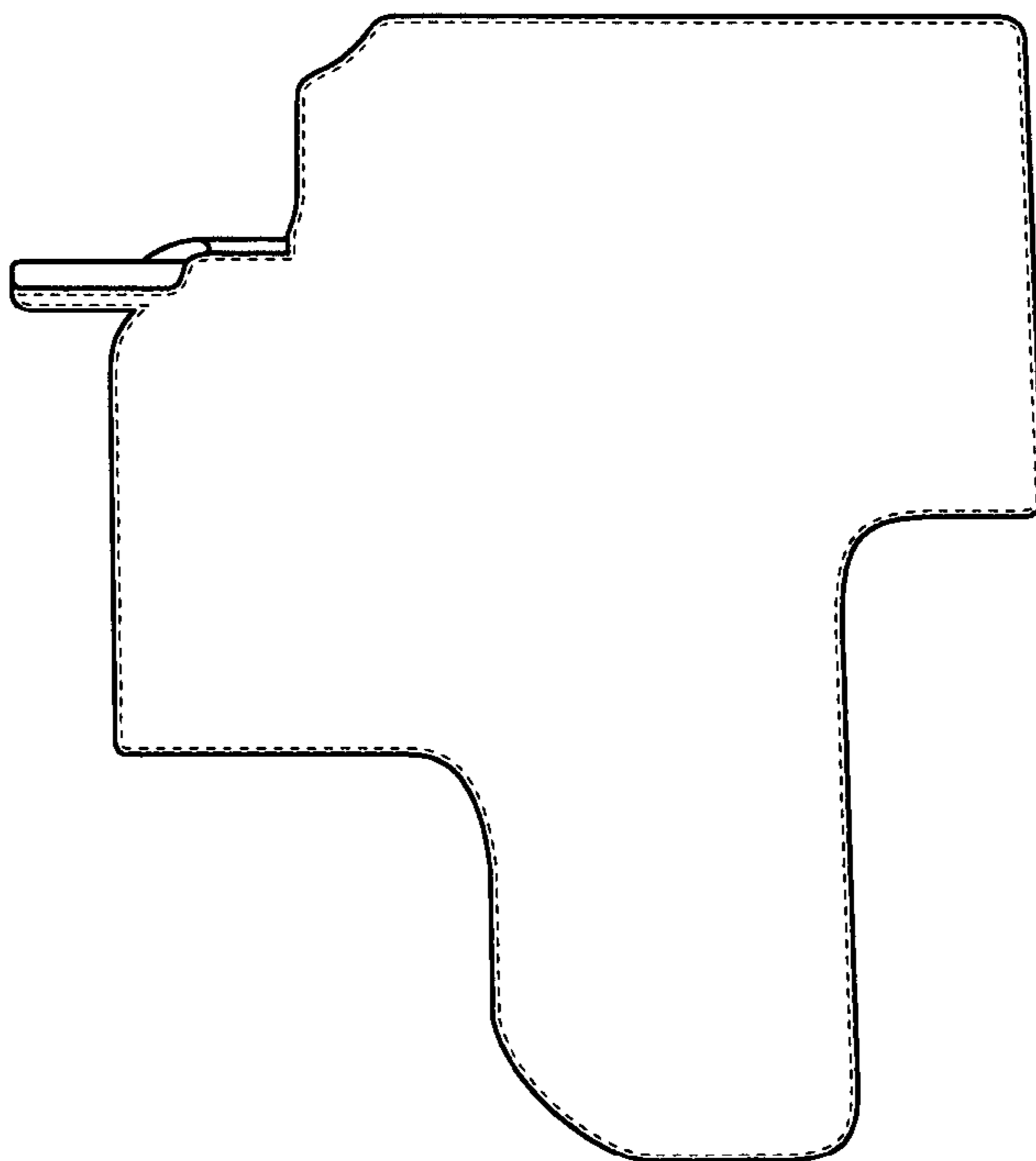
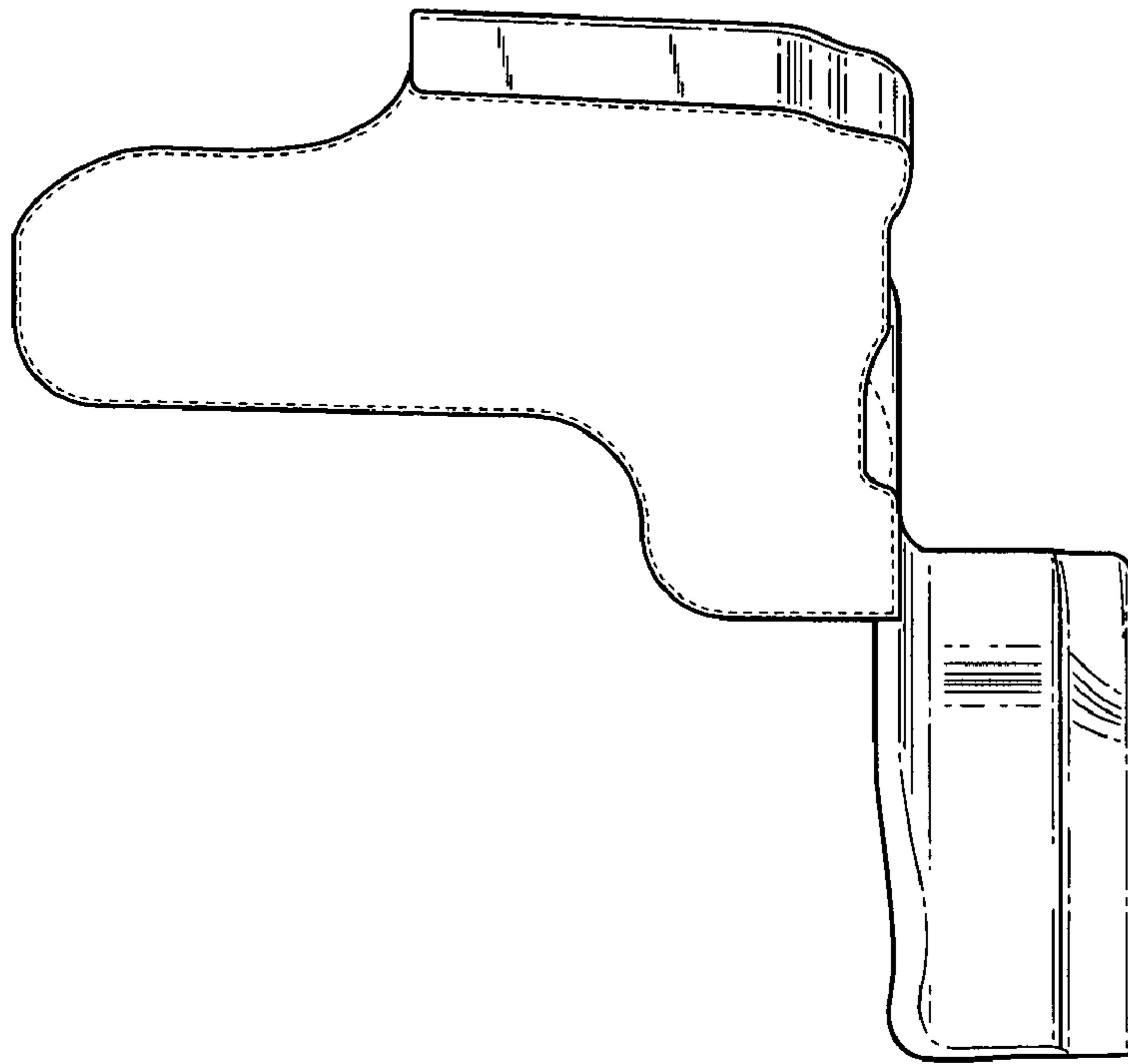
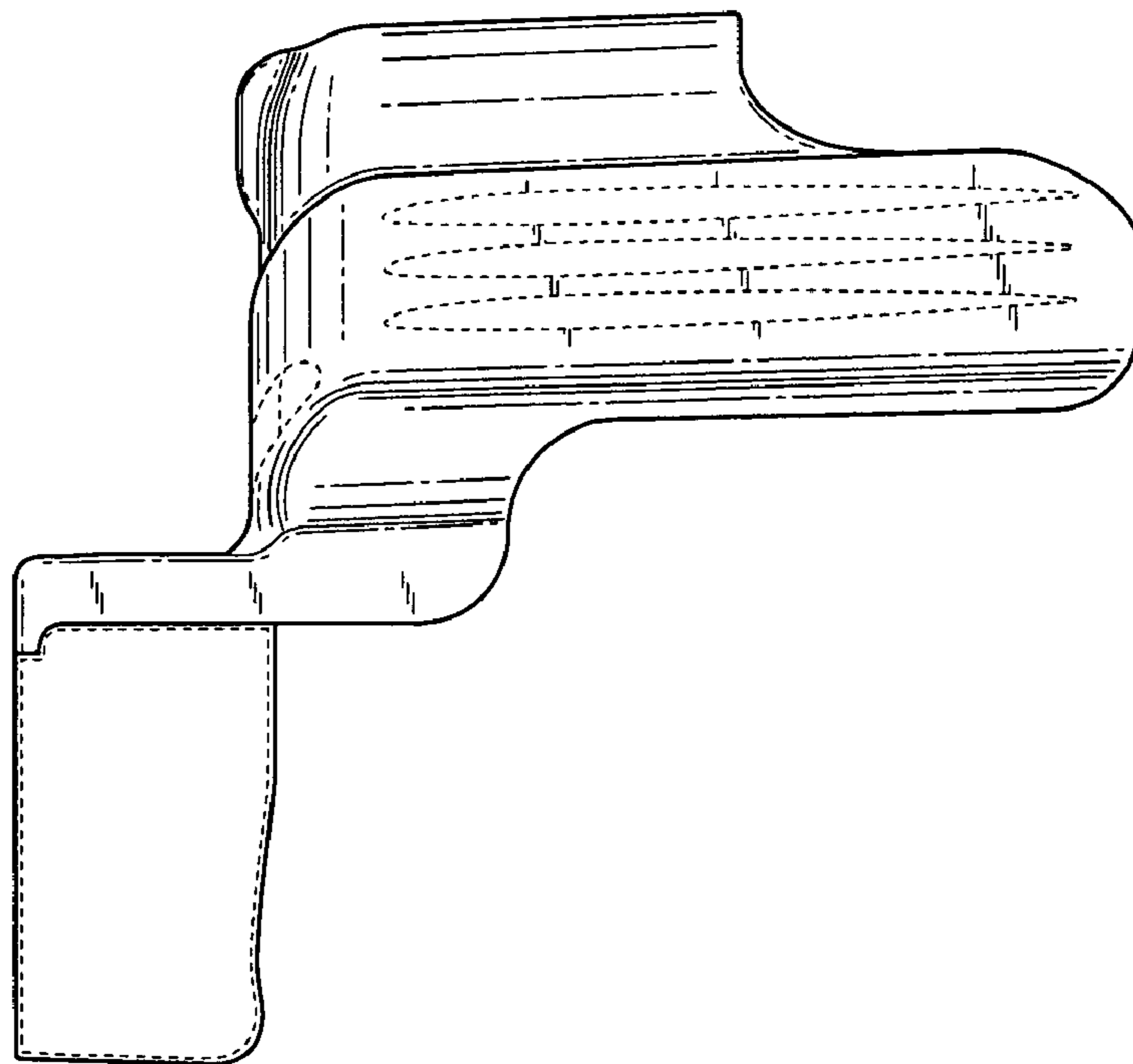


Fig. 5



**Fig. 6**



**Fig. 7**