



US00D610048S

(12) **United States Design Patent**
Sladick et al.

(10) **Patent No.:** **US D610,048 S**

(45) **Date of Patent:** **** Feb. 16, 2010**

(54) **BICYCLE SUPPORT STAND**

D466,842 S * 12/2002 Lems D12/115

(76) Inventors: **Bruce L. Sladick**, 538 Durham Dr.,
Homewood, AL (US) 35209; **Anthony**
M. Parrottino, 3870 Burning Bush,
Bloomfield Village, MI (US) 46301

* cited by examiner

Primary Examiner—Philip S Hyder
Assistant Examiner—Linda G. Brooks
(74) *Attorney, Agent, or Firm*—Kenneth M. Bush; Bush
Intellectual Property Law

(**) Term: **14 Years**

(21) Appl. No.: **29/342,634**

(57) **CLAIM**

(22) Filed: **Aug. 28, 2009**

We claim the ornamental design for a bicycle support stand,
as shown and described.

(51) **LOC (9) Cl.** **12-11**

(52) **U.S. Cl.** **D12/115**

(58) **Field of Classification Search** D12/115,
D12/120; 211/5, 17-22; 248/176.1, 551,
248/309.1; 224/533-537; 280/293
See application file for complete search history.

DESCRIPTION

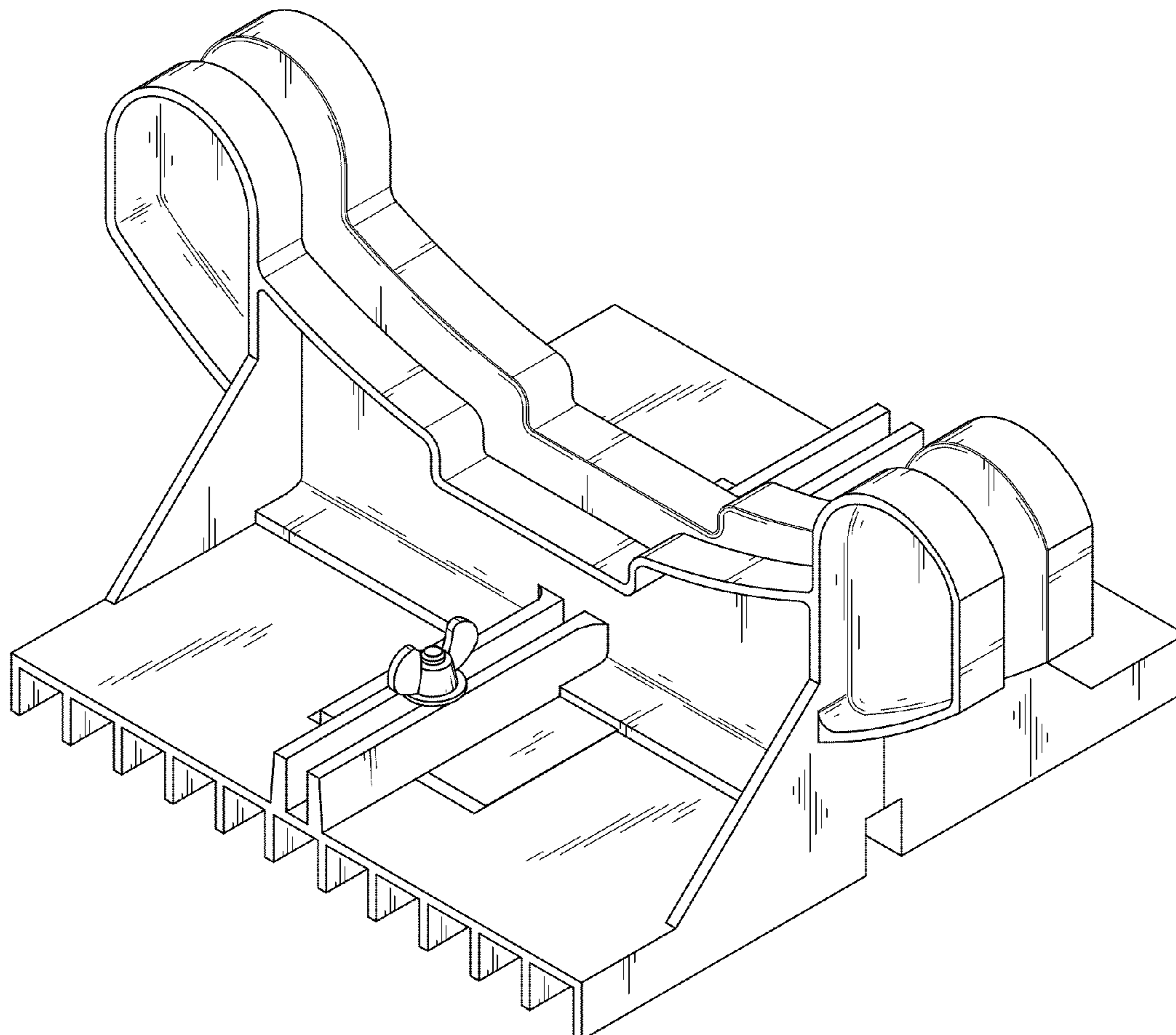
FIG. 1 is a front right perspective view of a bicycle support stand showing our new design;
FIG. 2 is a top plan view thereof;
FIG. 3 is a bottom plan view thereof;
FIG. 4 is a front elevational view thereof;
FIG. 5 is a rear elevational view thereof;
FIG. 6 is a right side elevational view thereof; and,
FIG. 7 is a left side elevational view thereof.

(56) **References Cited**

U.S. PATENT DOCUMENTS

576,351 A	2/1897	Penfield	
612,663 A	10/1898	Haubs	
4,802,594 A	2/1989	Graber	
D327,666 S	7/1992	Carlson	
D359,466 S *	6/1995	Eggers et al. D12/115

1 Claim, 4 Drawing Sheets



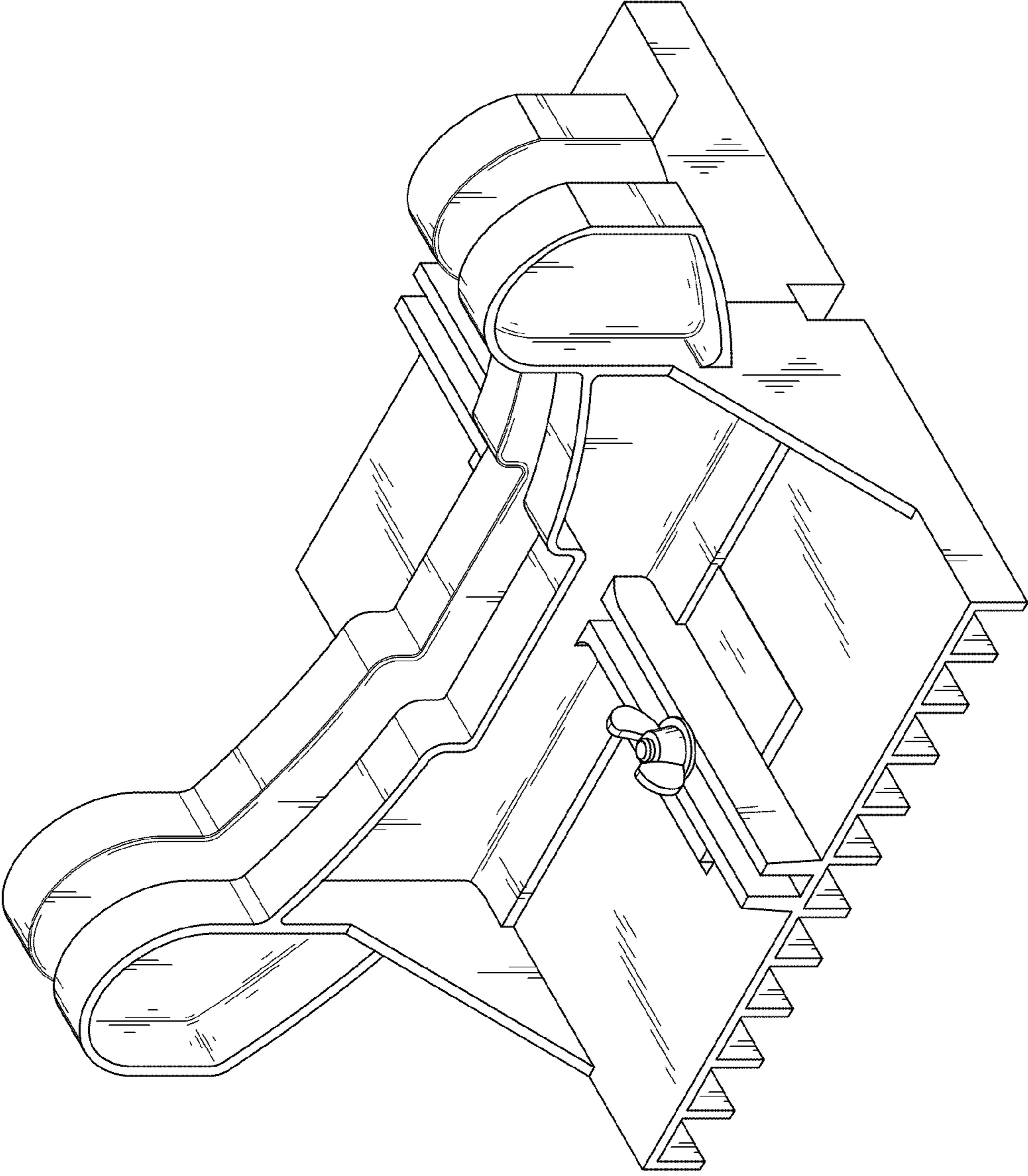


FIG. 1

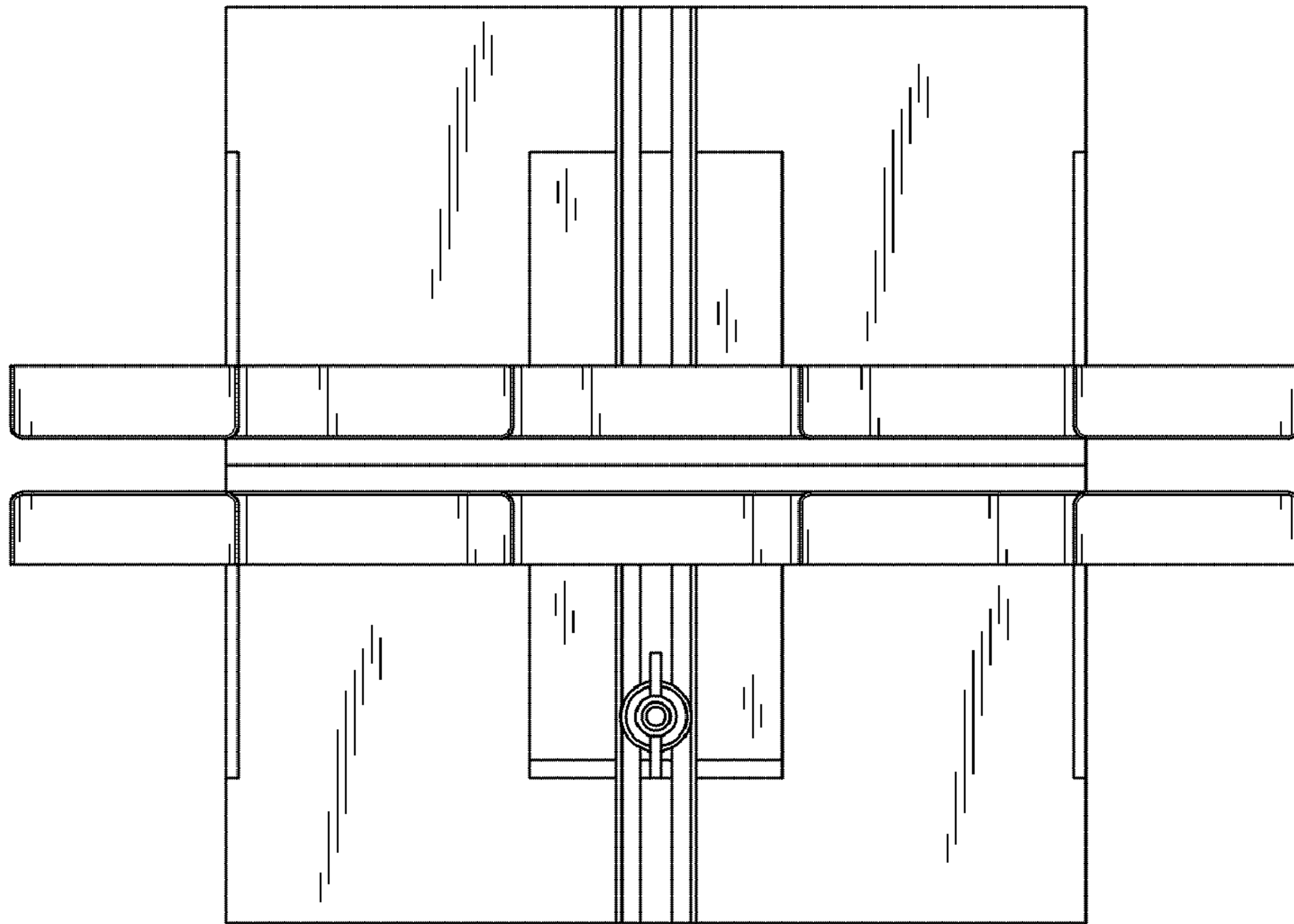


FIG. 2

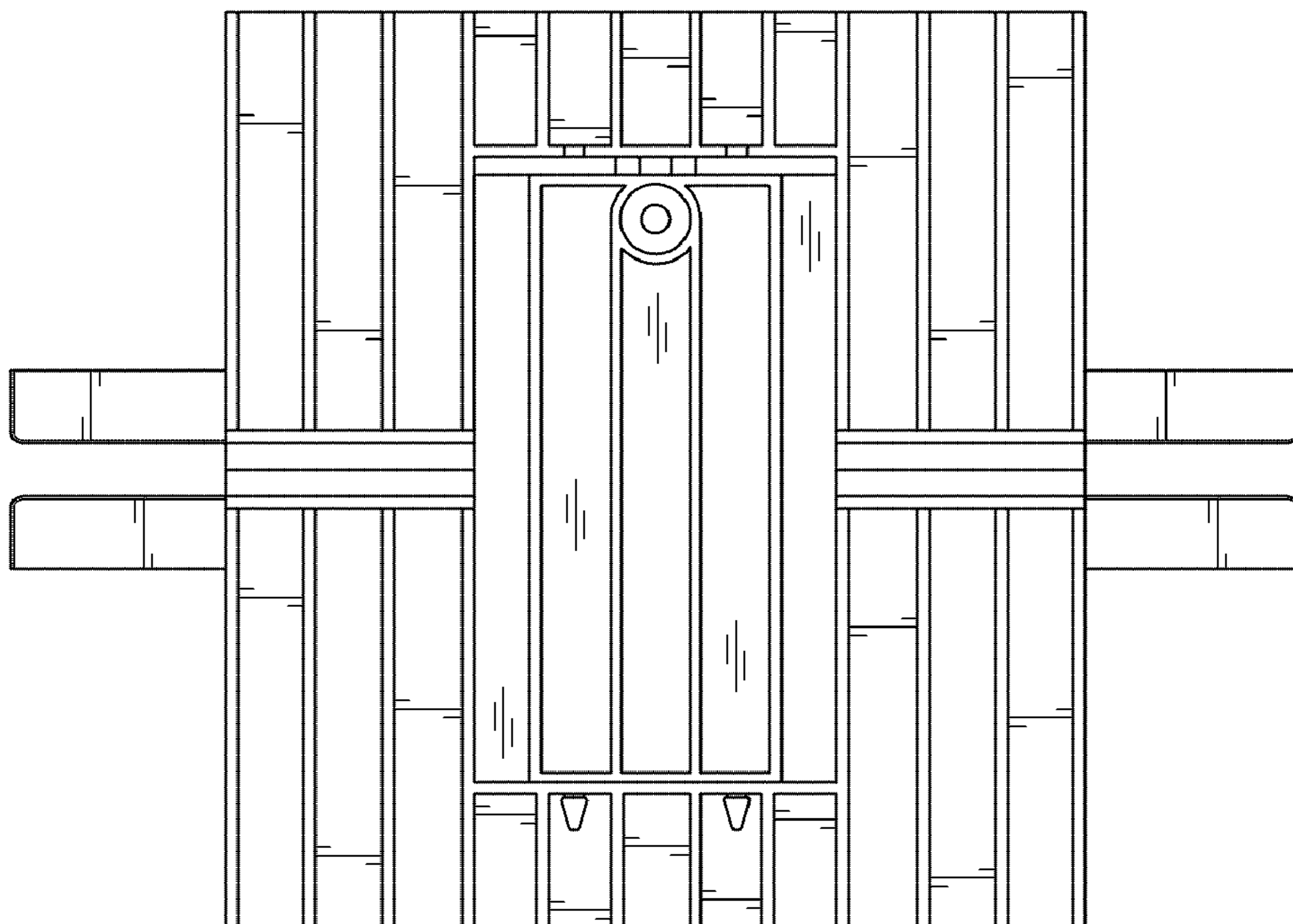


FIG. 3

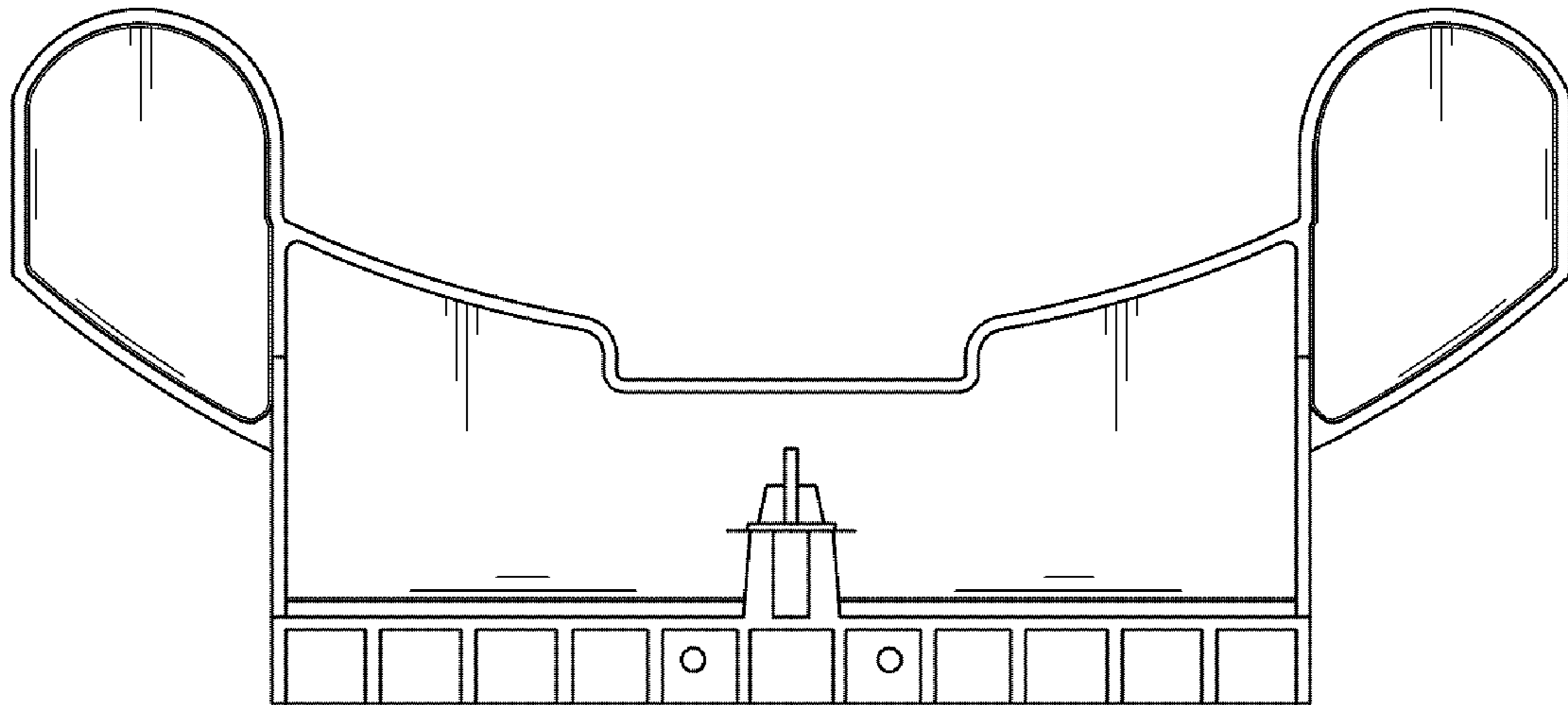


FIG. 4

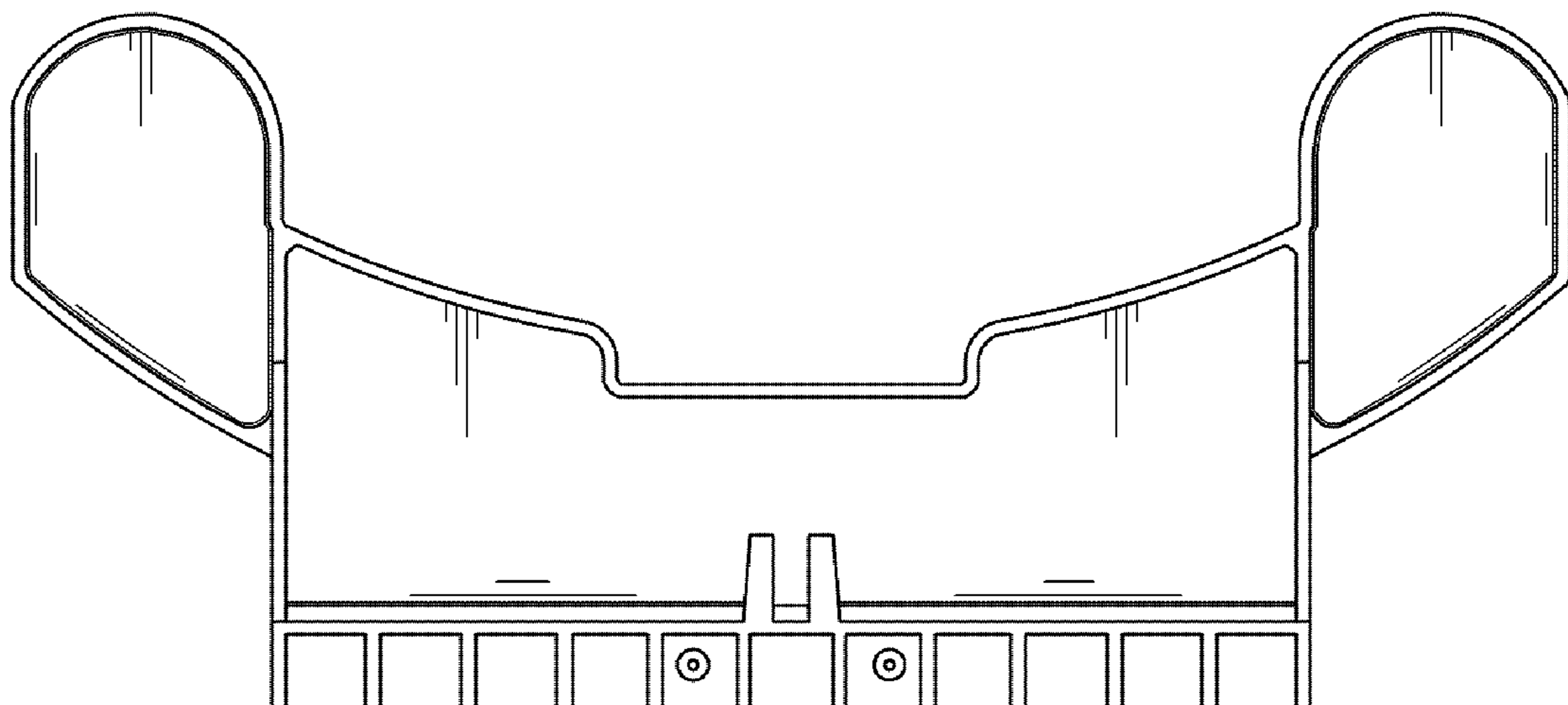


FIG. 5

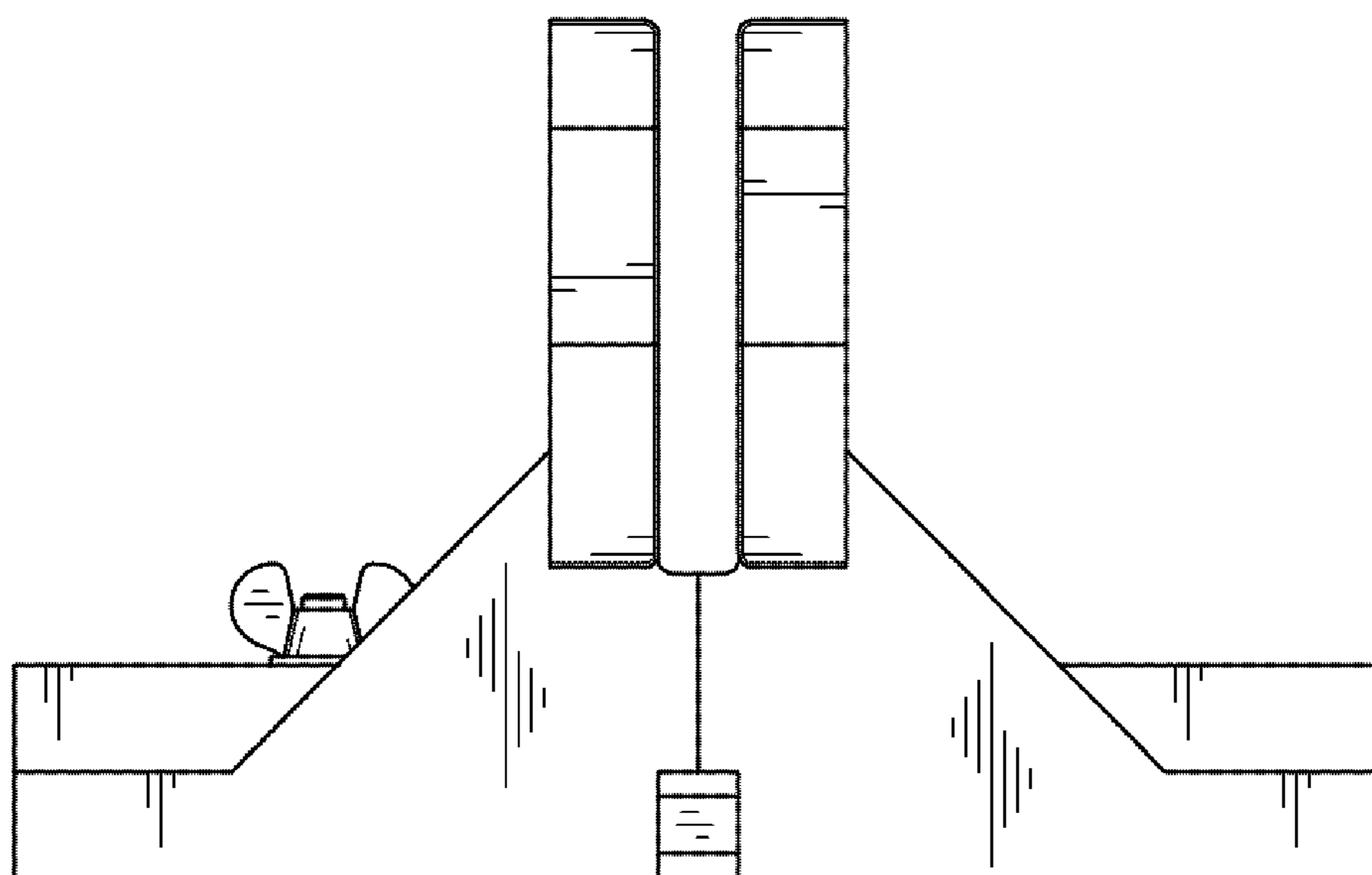


FIG. 6

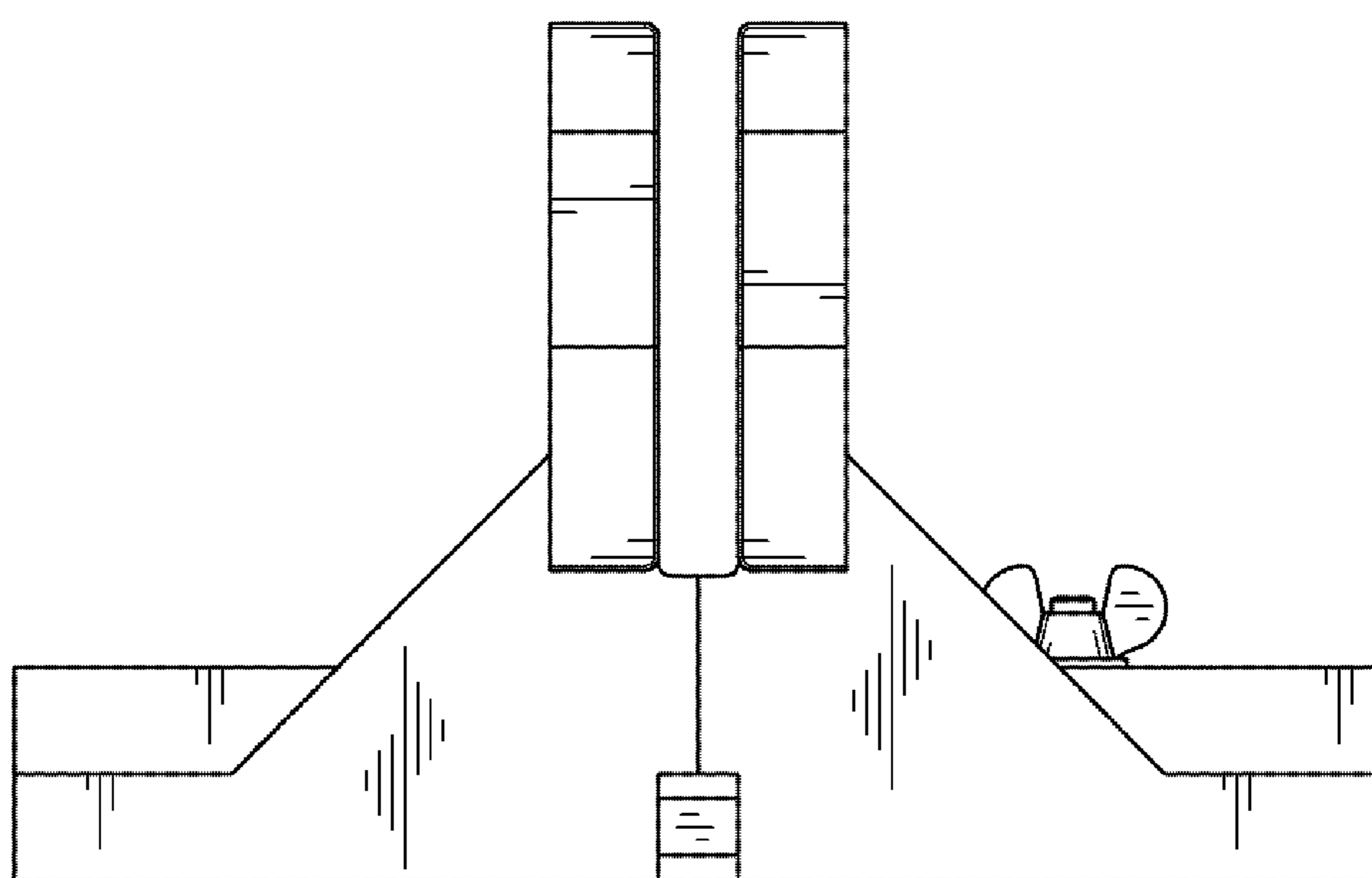


FIG. 7