

US00D610047S

(12) **United States Design Patent**  
**Uimonen**

(10) **Patent No.:** **US D610,047 S**

(45) **Date of Patent:** **\*\* Feb. 16, 2010**

(54) **FOLDING BICYCLE FRAME**

(75) Inventor: **Joakim Uimonen**, Taipei County (TW)

(73) Assignee: **Dahon and Hon Industrial Labs., Ltd.**,  
Sanchong, Taipei County (TW)

(\*\*) Term: **14 Years**

(21) Appl. No.: **29/311,982**

(22) Filed: **Aug. 12, 2009**

(51) **LOC (9) Cl.** ..... **12-11**

(52) **U.S. Cl.** ..... **D12/111**

(58) **Field of Classification Search** ..... D12/111,  
D12/117; 280/274-278, 281.1, 283-288,  
280/288.1-288.3

See application file for complete search history.

(56) **References Cited**

**U.S. PATENT DOCUMENTS**

D34,381 S *	4/1901	Manson	.....	D12/111
D235,249 S *	6/1975	Kitsuda	.....	D12/111
D243,165 S *	1/1977	Wheeler	.....	D12/111
D586,702 S *	2/2009	Morris	.....	D12/111

\* cited by examiner

*Primary Examiner*—Philip S Hyder  
*Assistant Examiner*—Linda G. Brooks

(74) *Attorney, Agent, or Firm*—Bacon & Thomas, PLLC

(57) **CLAIM**

The ornamental design for a folding bicycle frame, as shown and described.

**DESCRIPTION**

FIG. 1 is a perspective view of a folding bicycle frame in accordance with my design;

FIG. 2 is a front view thereof;

FIG. 3 is a rear view thereof;

FIG. 4 is a left view thereof;

FIG. 5 is a right view thereof;

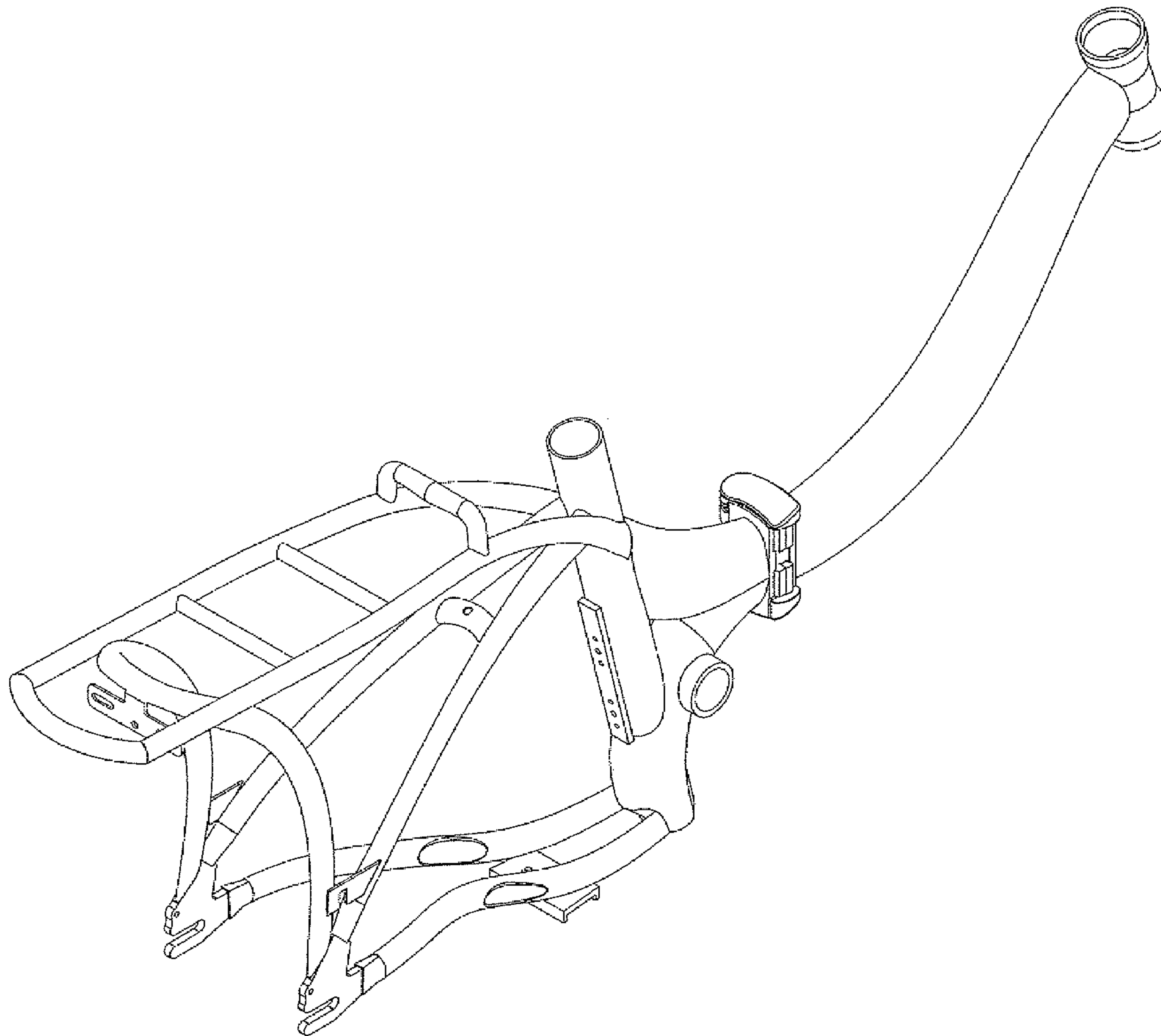
FIG. 6 is a top view thereof;

FIG. 7 is a bottom view thereof; and,

FIG. 8 is a reference view of a folding bicycle frame thereof.

The broken lines are shown for illustrative purposes only and form no part of the claimed design.

**1 Claim, 6 Drawing Sheets**



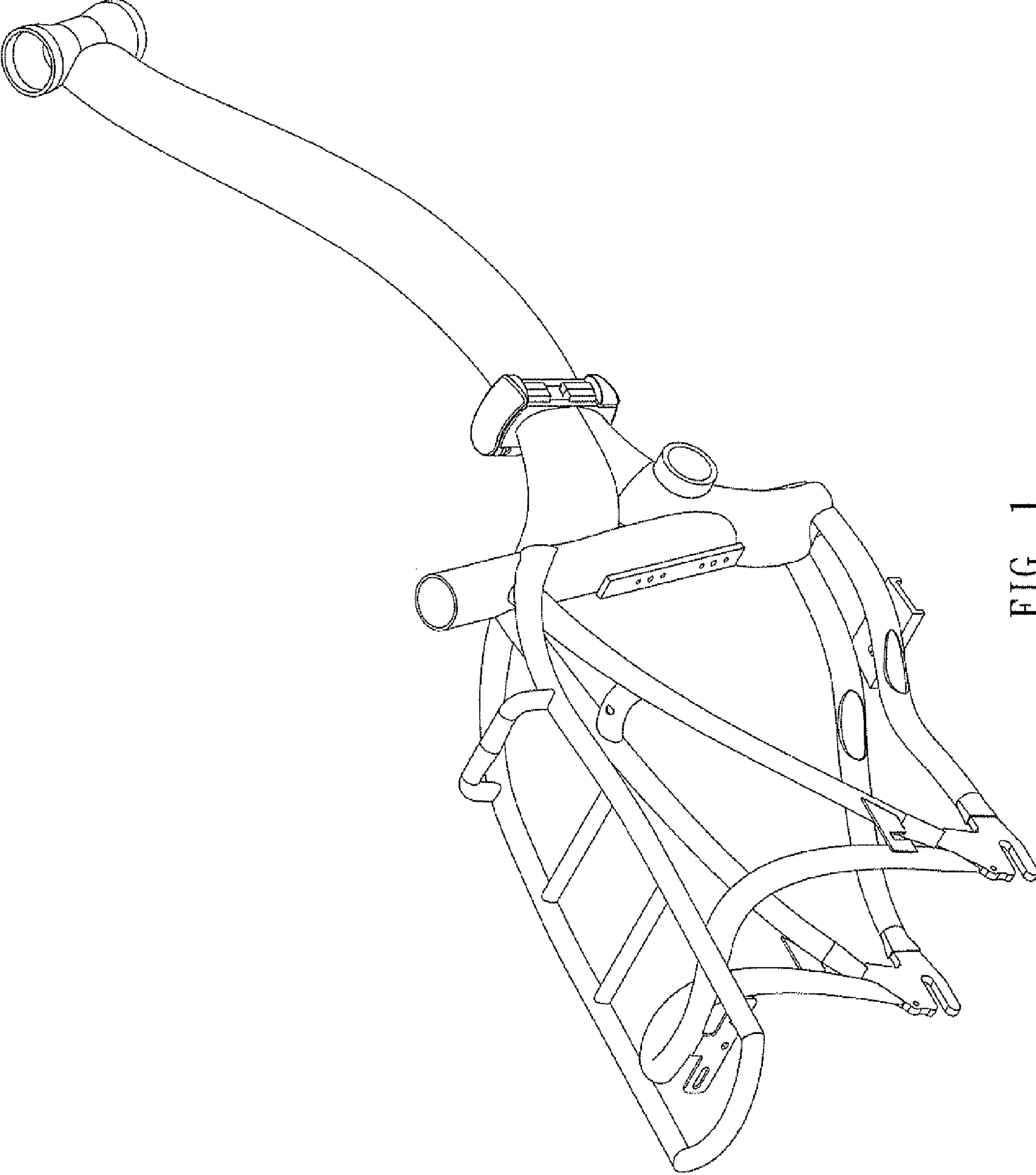


FIG. 1

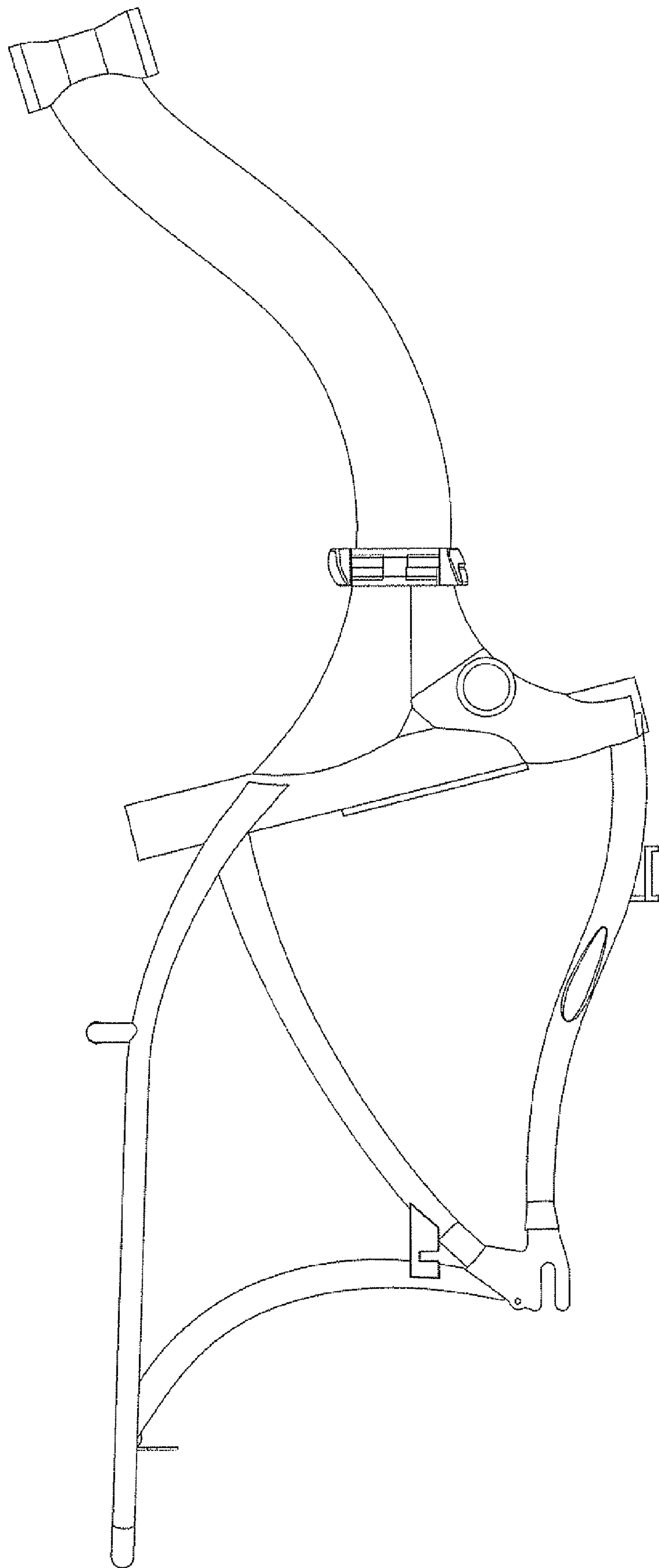


FIG. 2

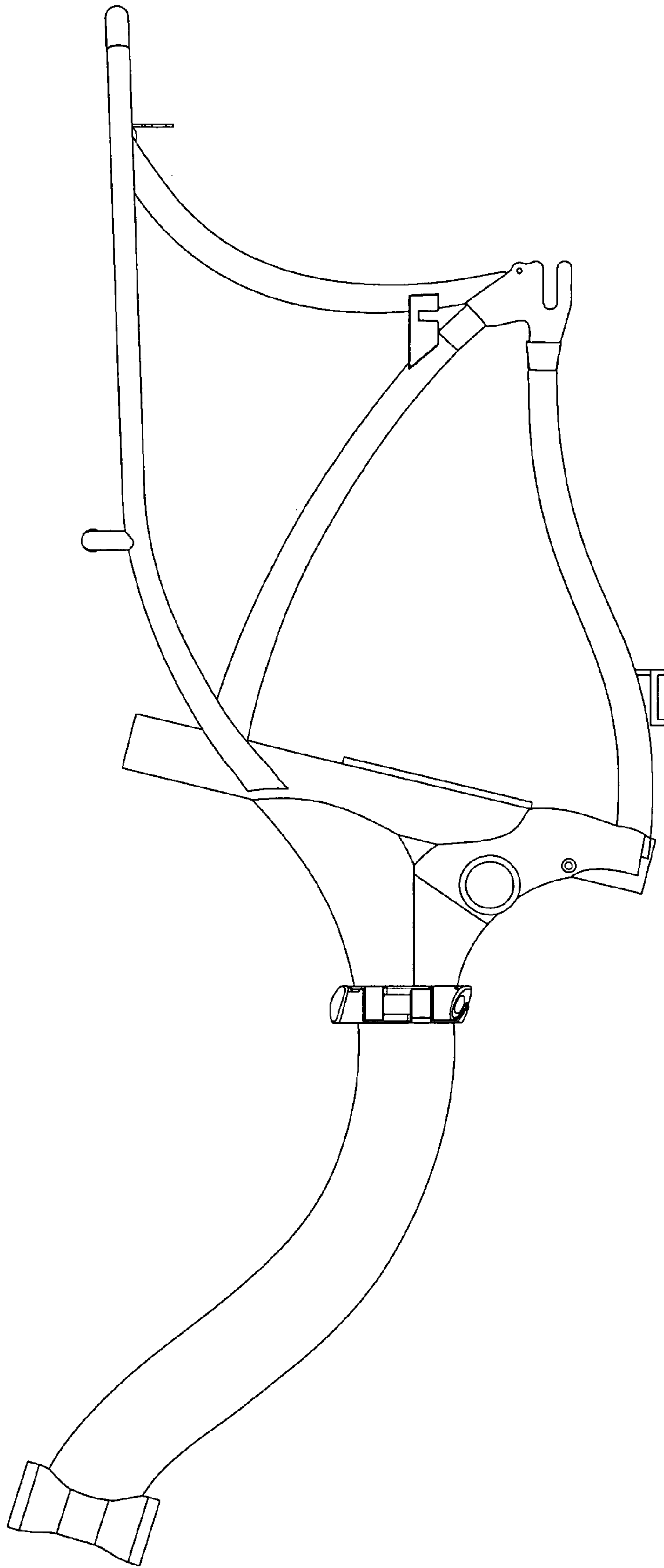


FIG. 3

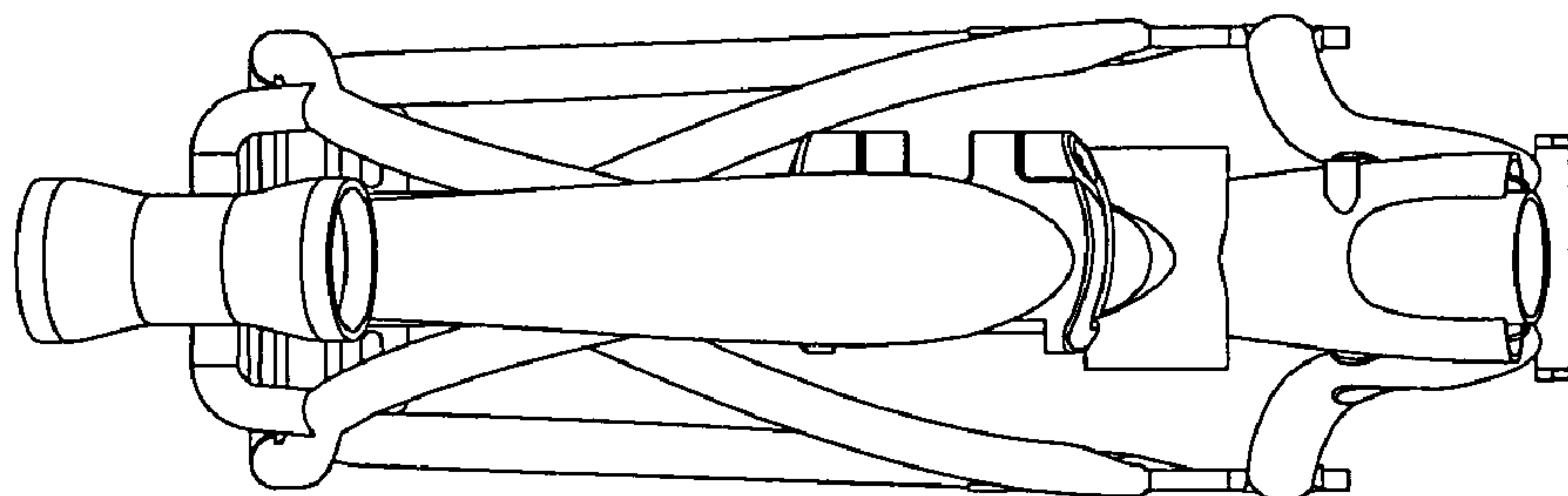


FIG. 5

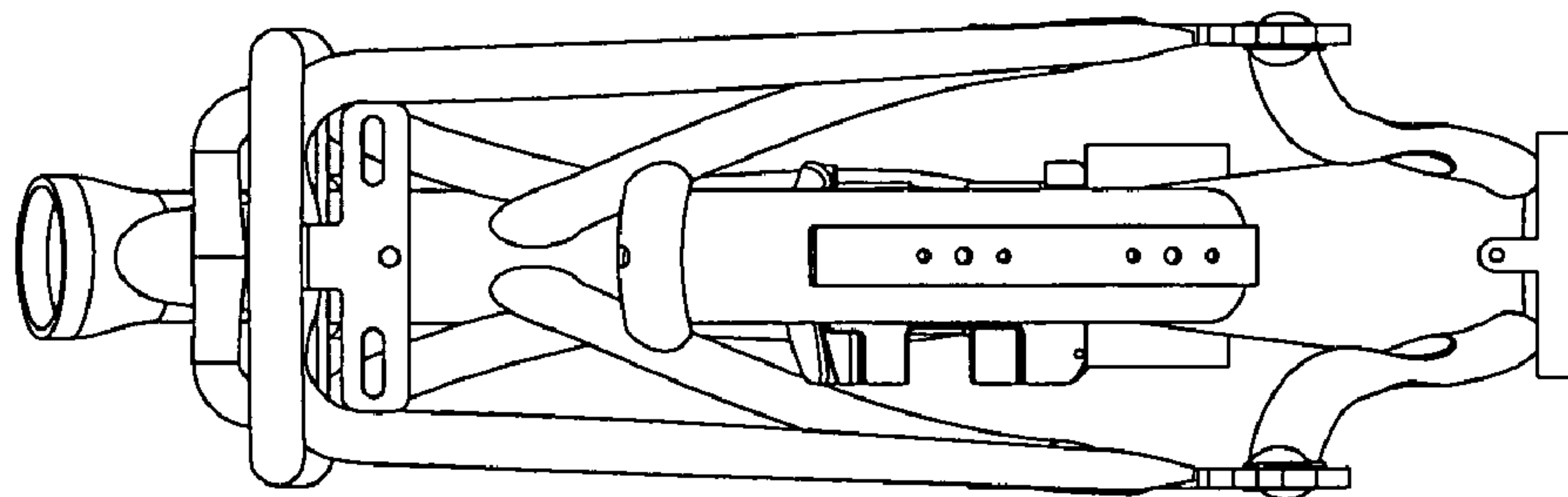


FIG. 4

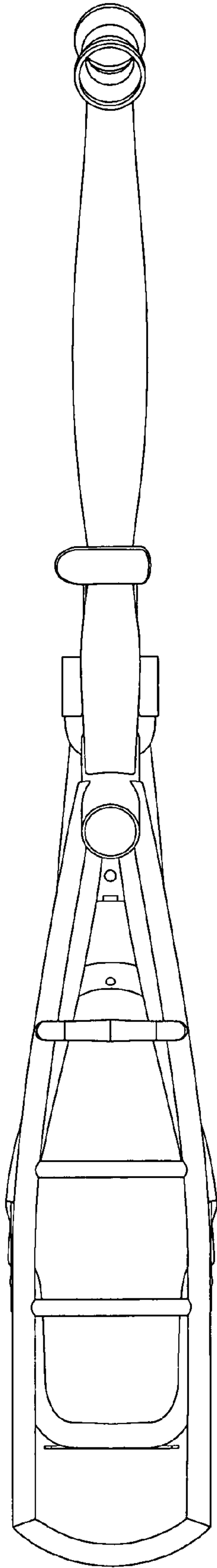


FIG. 6

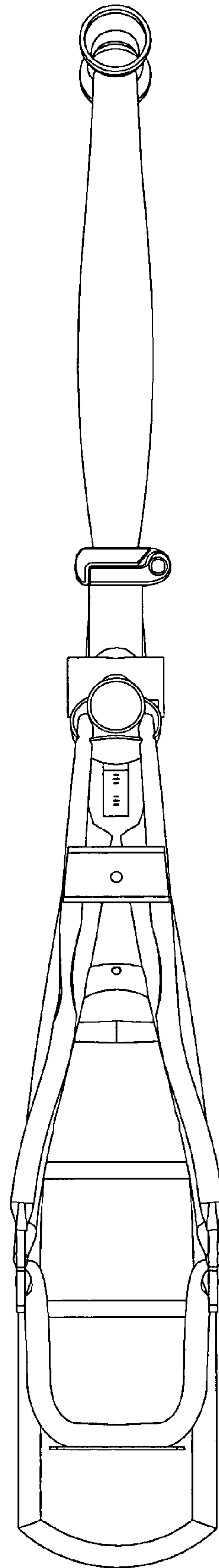


FIG. 7



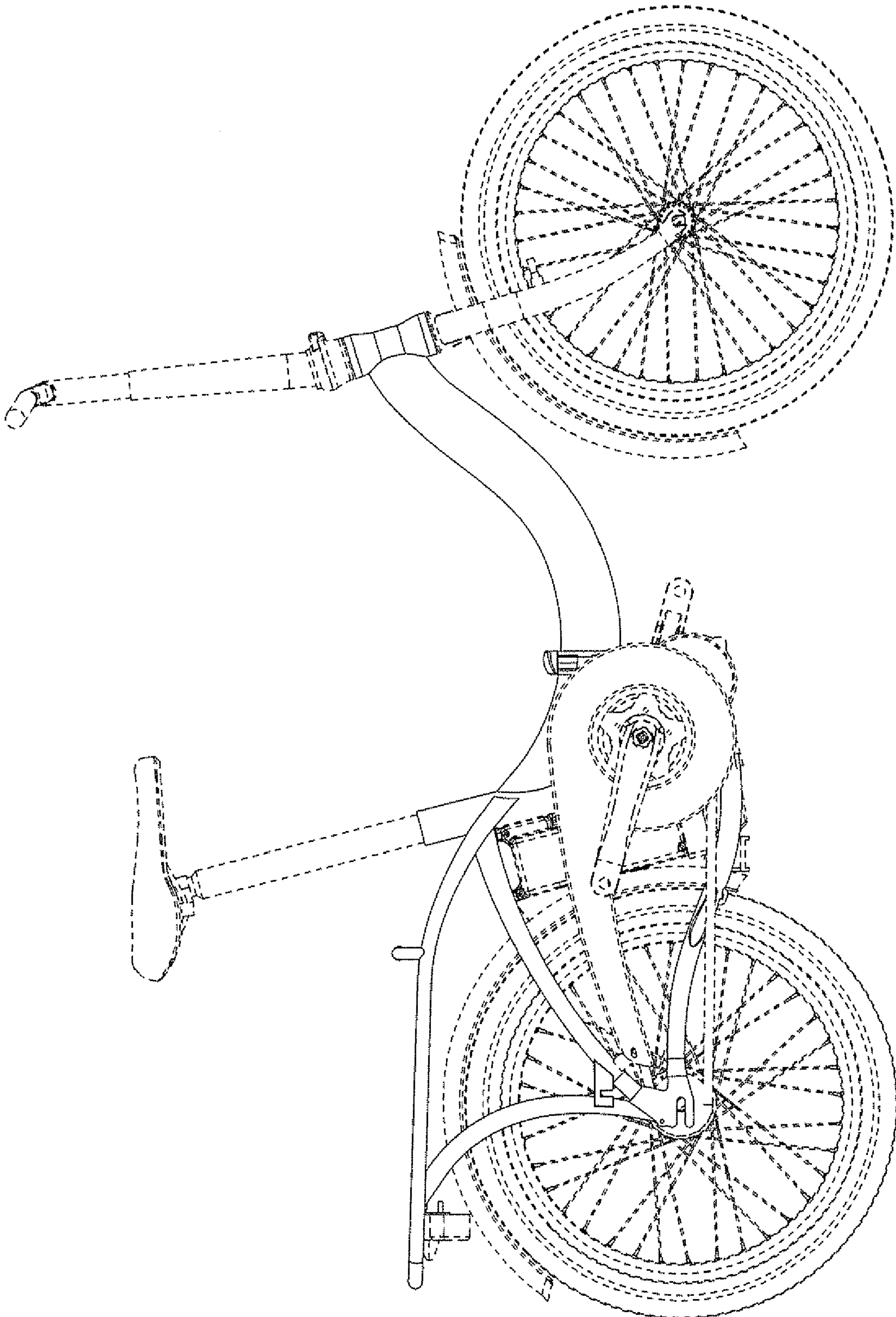


FIG. 8