



US00D610045S

(12) **United States Design Patent**
Lambri

(10) **Patent No.:** **US D610,045 S**
(45) **Date of Patent:** **** Feb. 16, 2010**

(54) **MOTORCYCLE**

(75) Inventor: **Marco Lambri**, Pontedera (IT)

(73) Assignee: **Piaggio & C. S.p.A.**, Pontedera (Pisa)
(IT)

(**) Term: **14 Years**

(21) Appl. No.: **29/307,498**

(22) Filed: **Apr. 23, 2008**

(30) **Foreign Application Priority Data**

Oct. 31, 2007 (EM) 000818299-0001

(51) **LOC (9) Cl.** **12-11**

(52) **U.S. Cl.** **D12/110**

(58) **Field of Classification Search** D12/110,
D12/219, 220, 225, 229
See application file for complete search history.

(56) **References Cited**

U.S. PATENT DOCUMENTS

D399,174 S * 10/1998 Takeshita et al. D12/110

D488,102 S * 4/2004 Shimokawa et al. D12/110

OTHER PUBLICATIONS

2006 Piaggio X9. [Retrieved on Dec. 10, 2008]. Retrieved from the Internet <URL: <http://www.productwiki.com/2006-piaggio-x9/>>.*

* cited by examiner

Primary Examiner—Philip S Hyder

Assistant Examiner—Linda G. Brooks

(74) *Attorney, Agent, or Firm*—James V. Costigan; Hedman & Costigan, P.C.

(57) **CLAIM**

The ornamental design for a motorcycle, as shown and described.

DESCRIPTION

FIG. 1 is a rear side perspective view of the invention;

FIG. 2 is a rear view of the invention;

FIG. 3 is a front view of the invention;

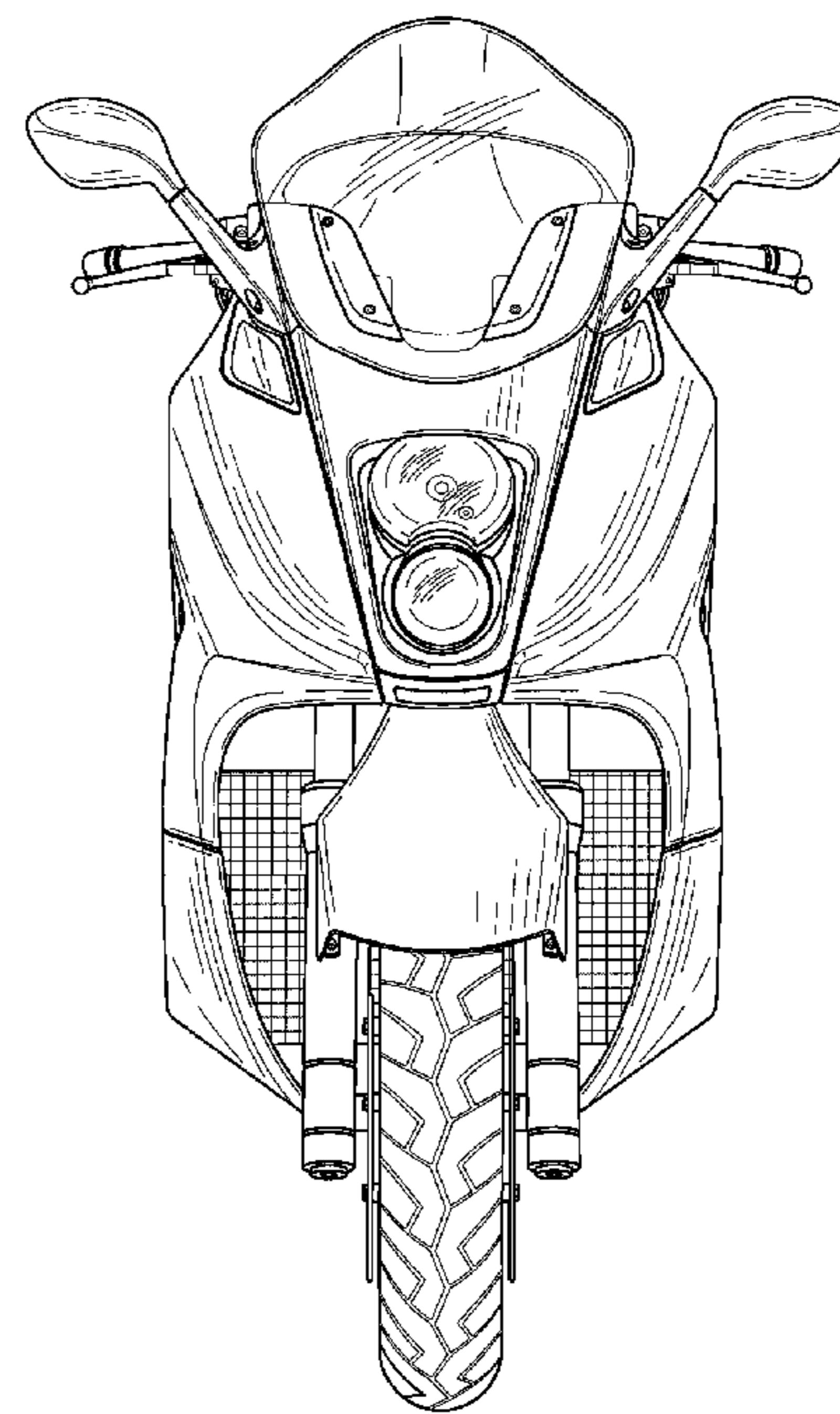
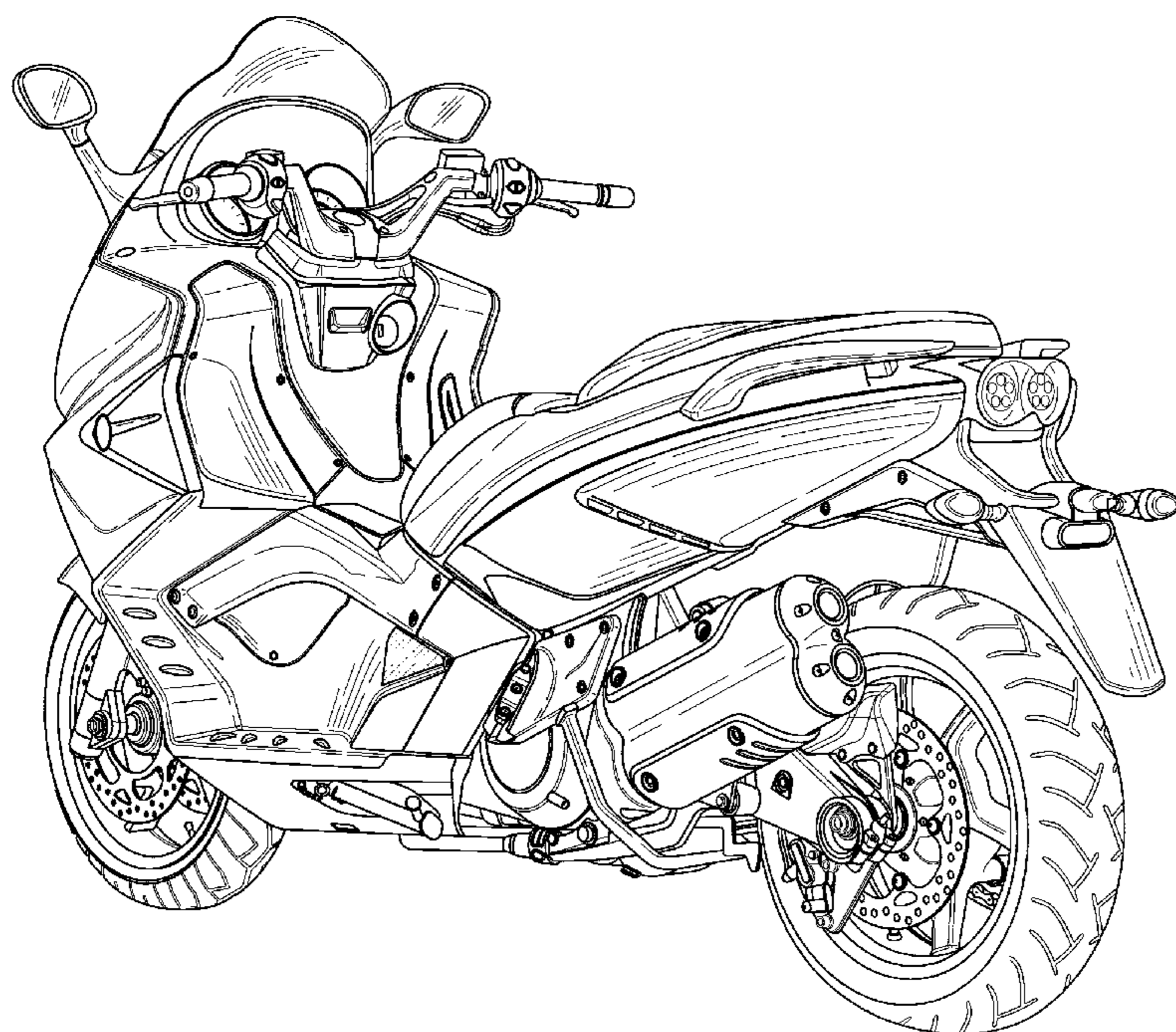
FIG. 4 is a left side view of the invention;

FIG. 5 is a right side view of the invention; and

FIG. 6 is a top view of the invention; and,

FIG. 7 is a bottom view of the invention.

1 Claim, 7 Drawing Sheets



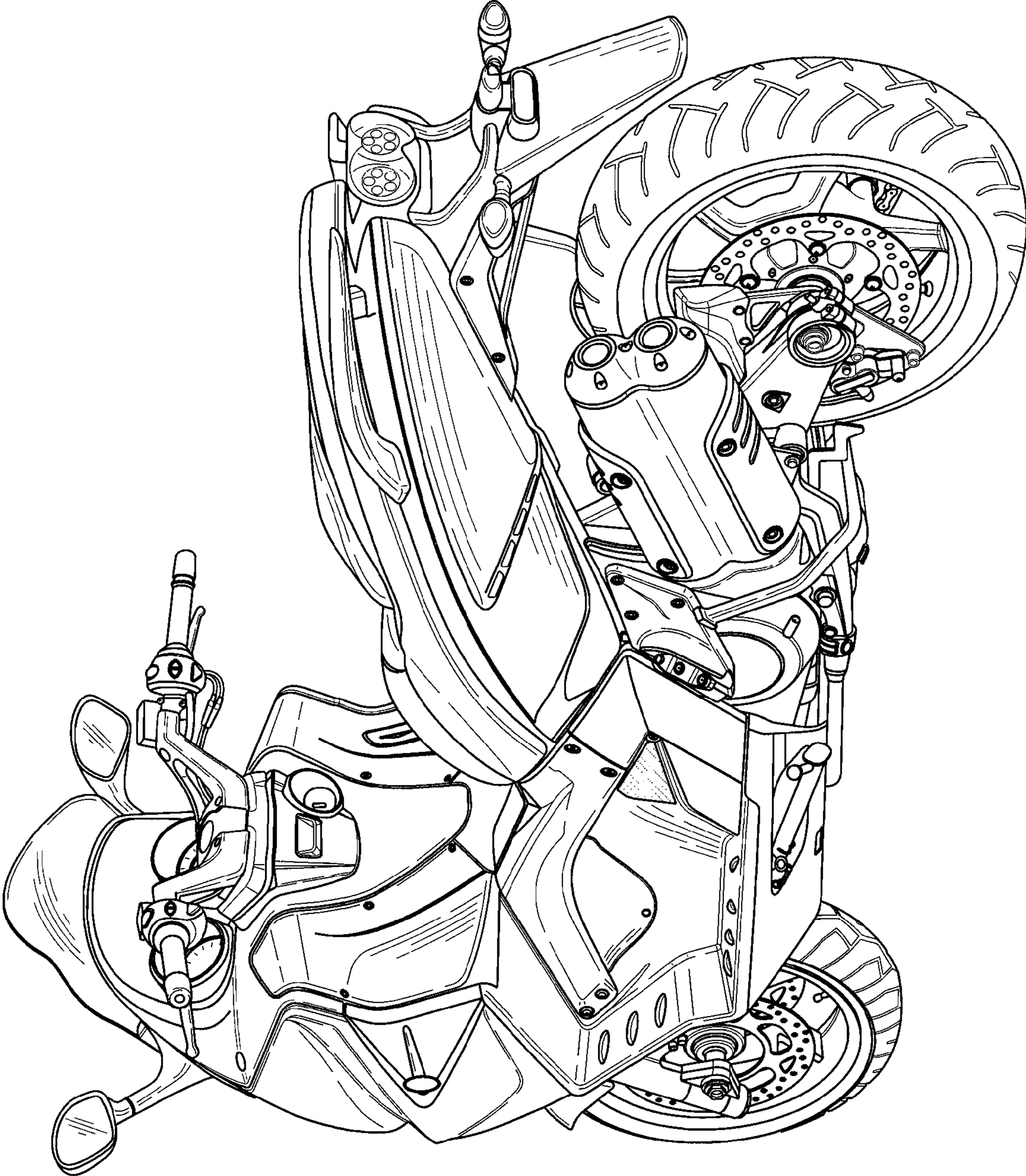


FIG. 1

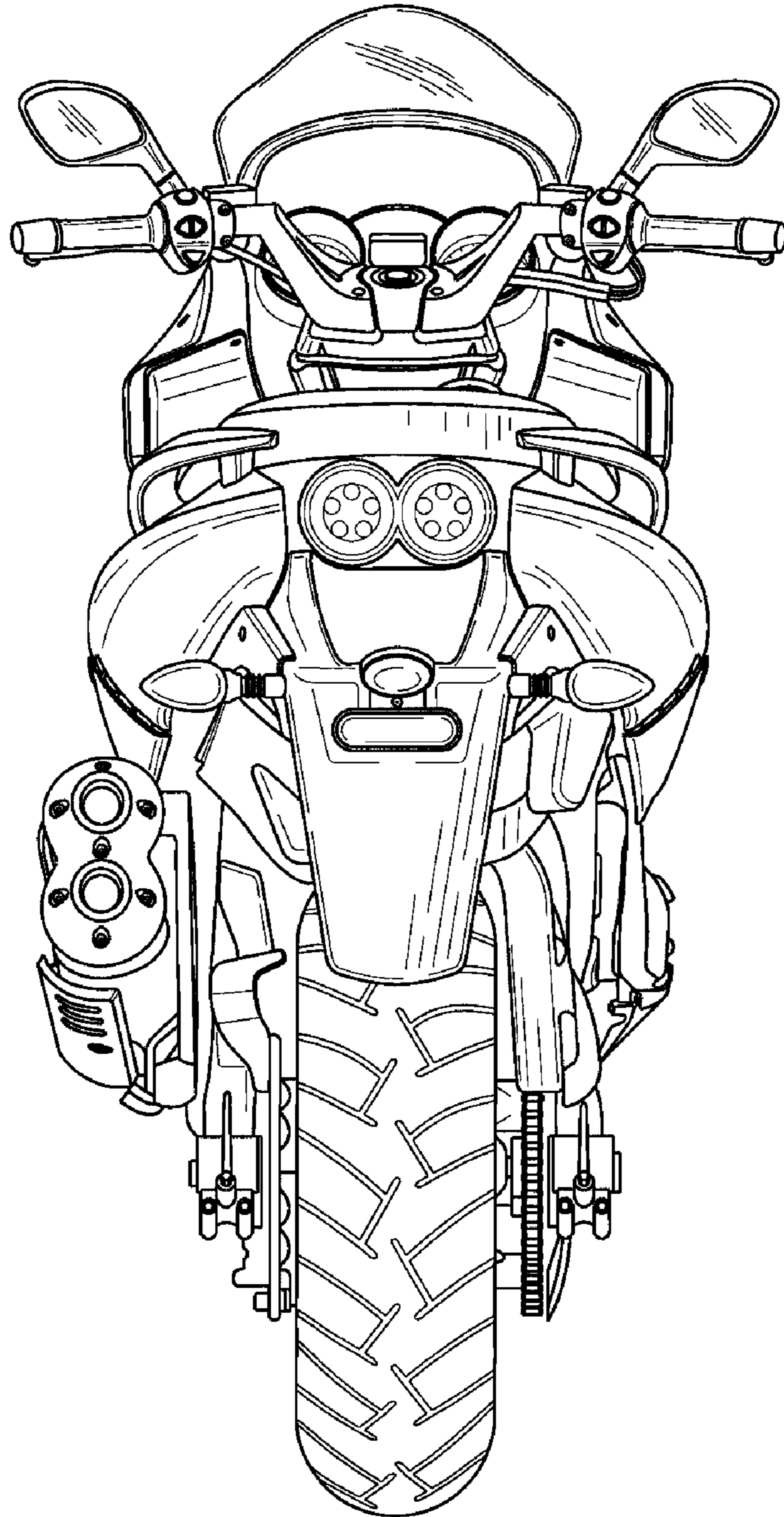


FIG. 2

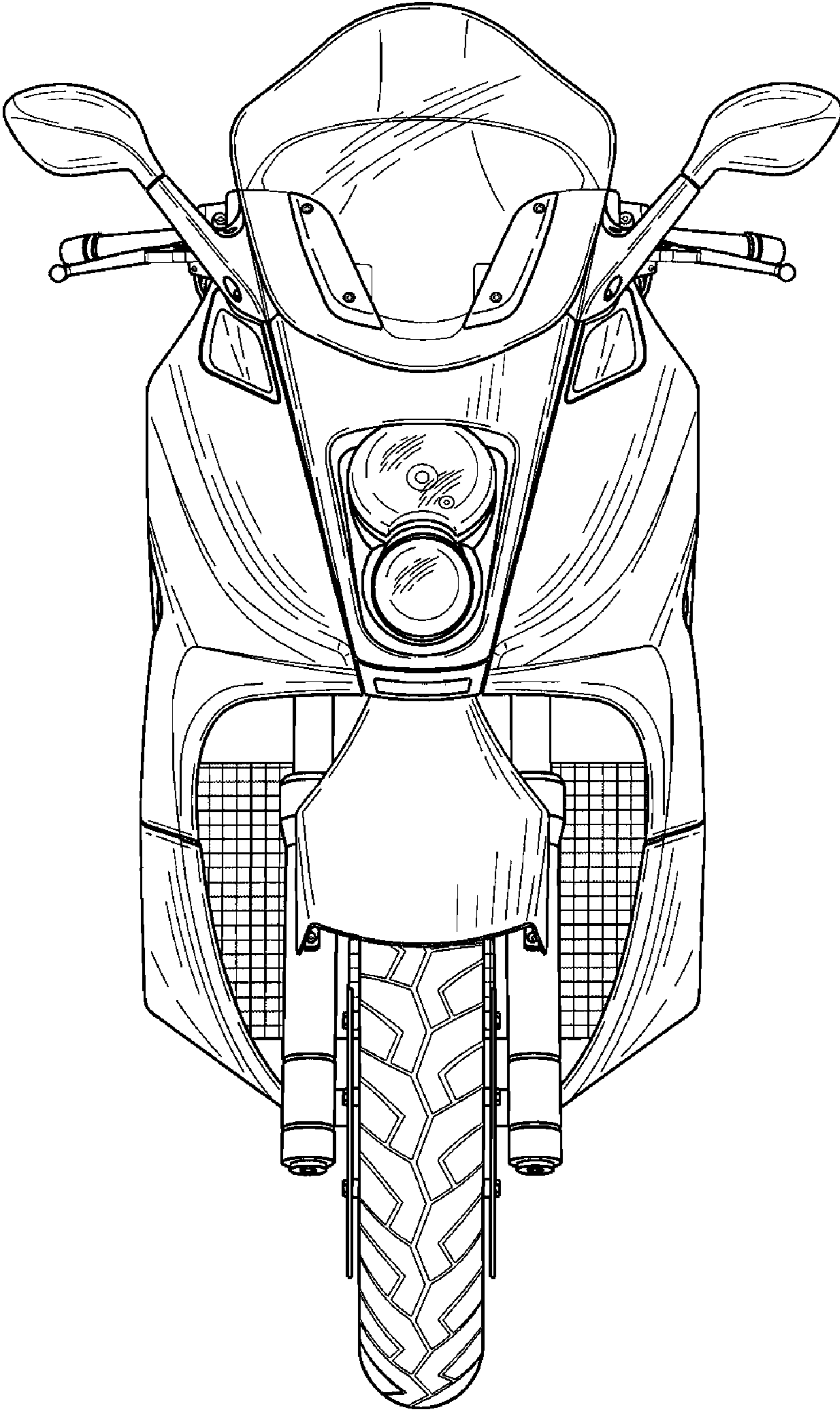


FIG. 3

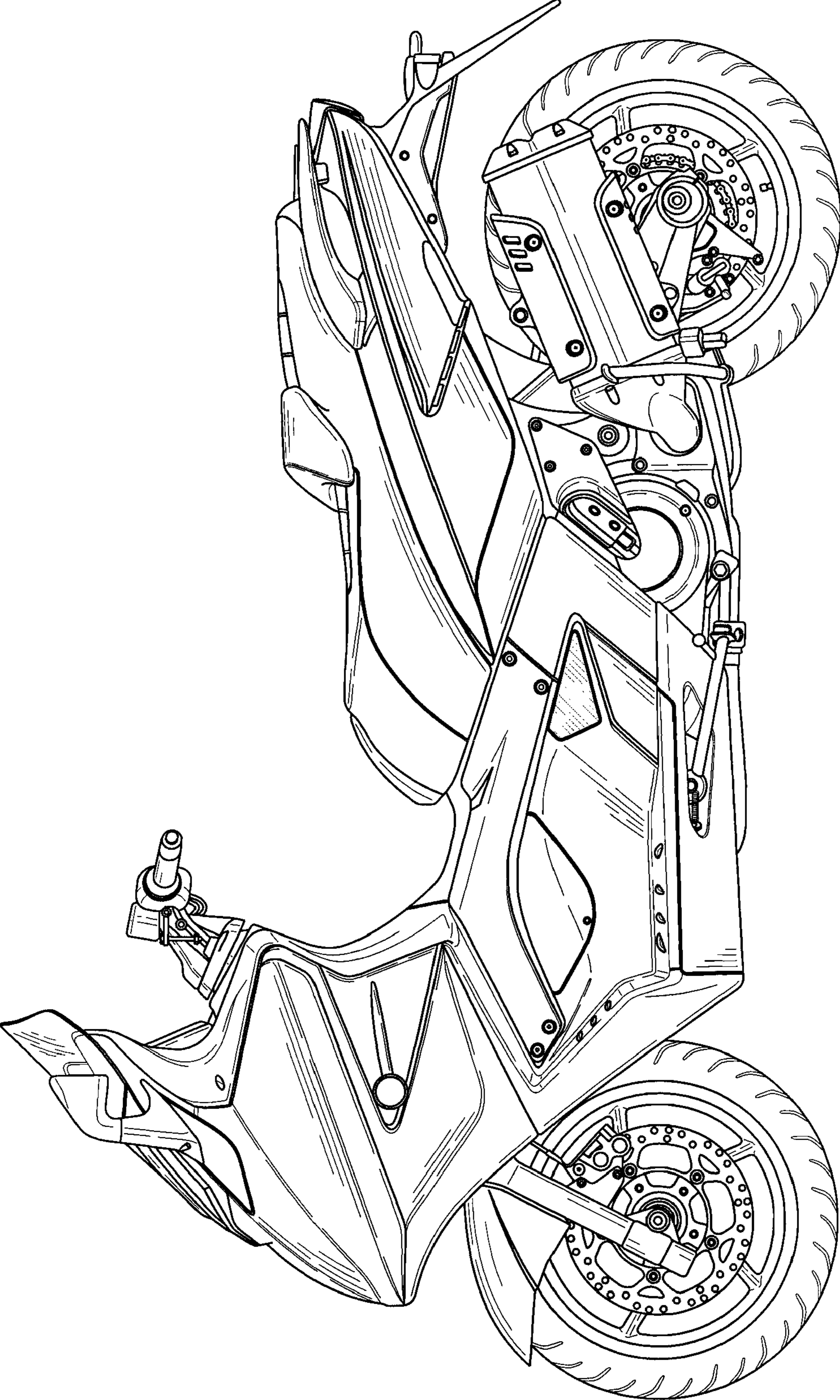


FIG. 4

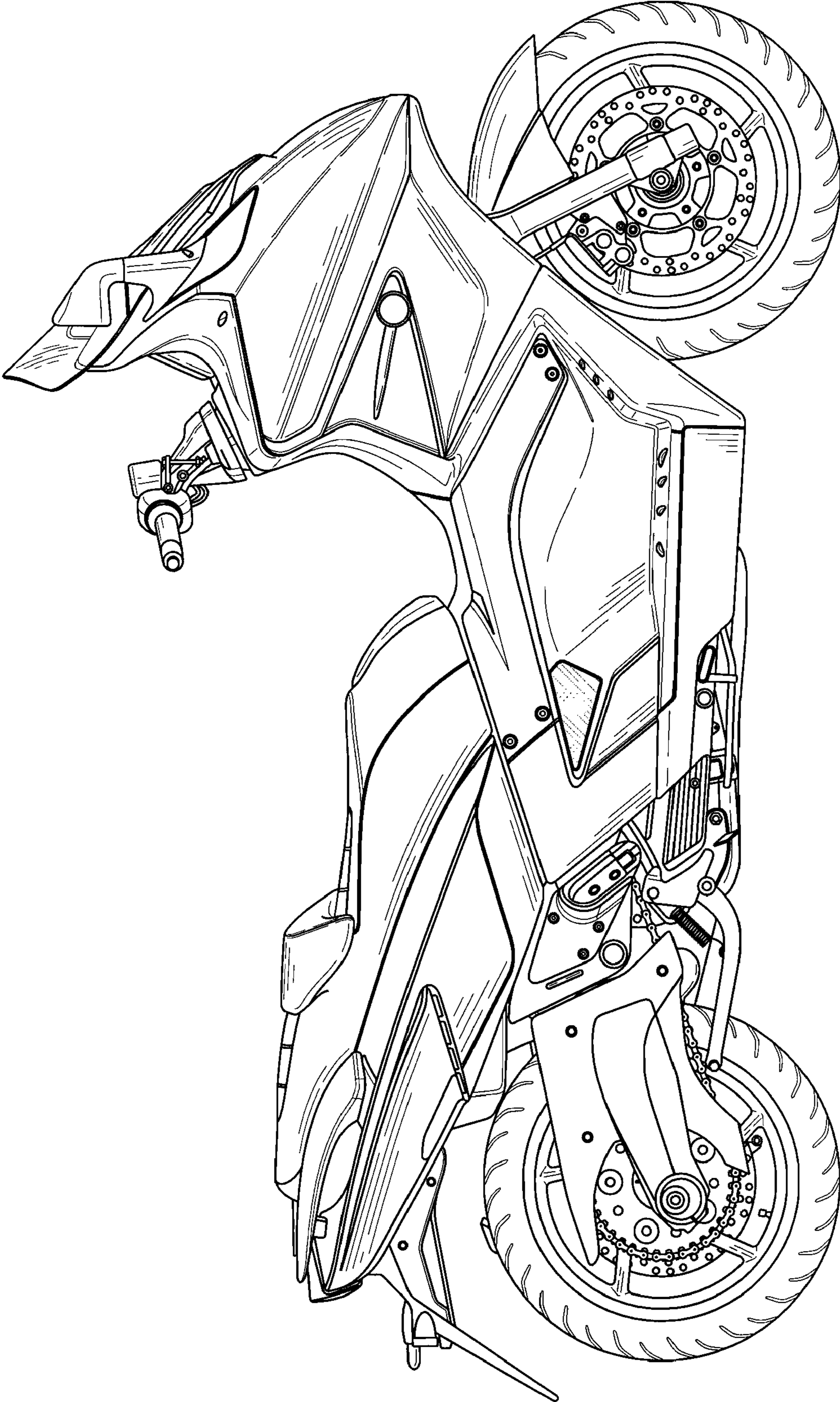


FIG. 5

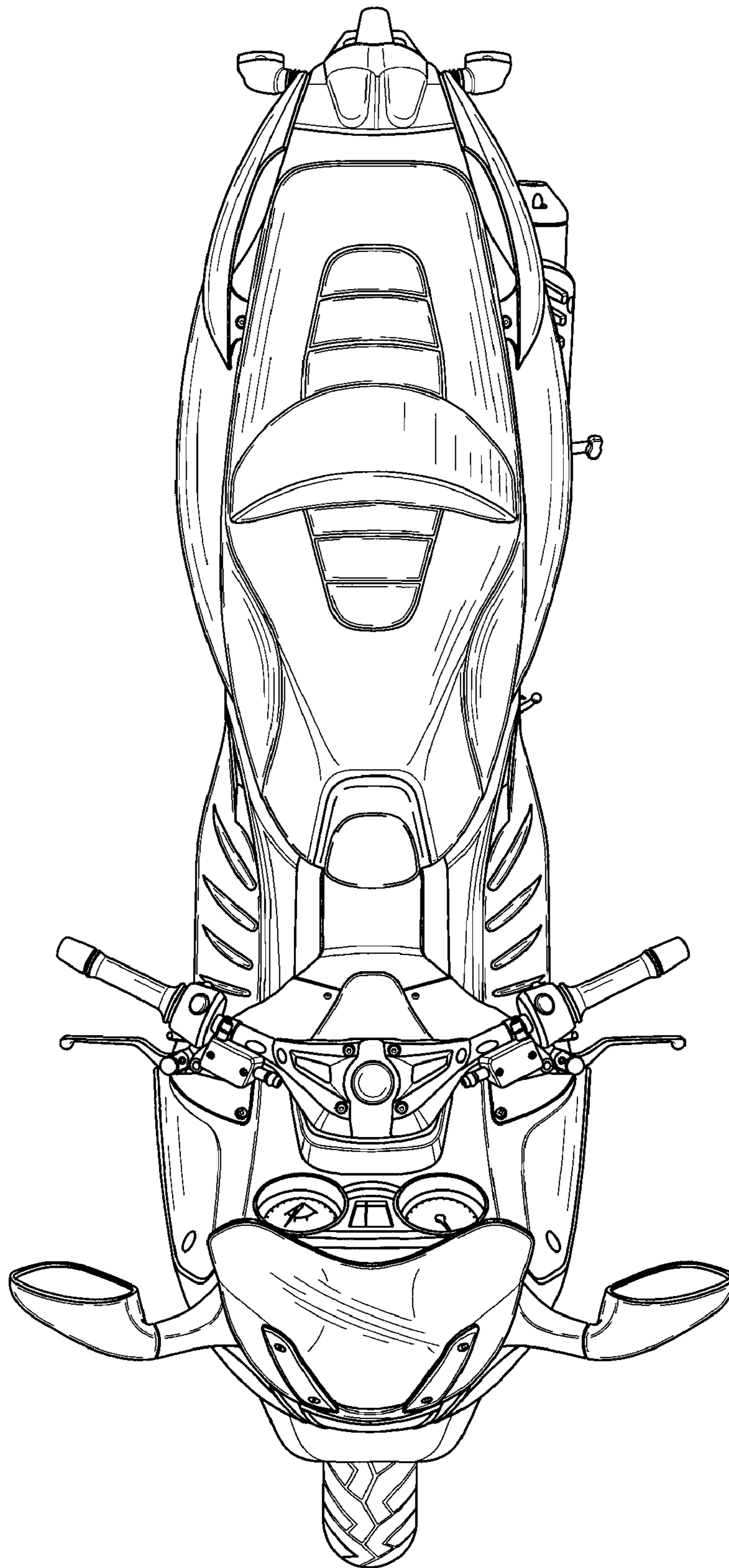


FIG. 6

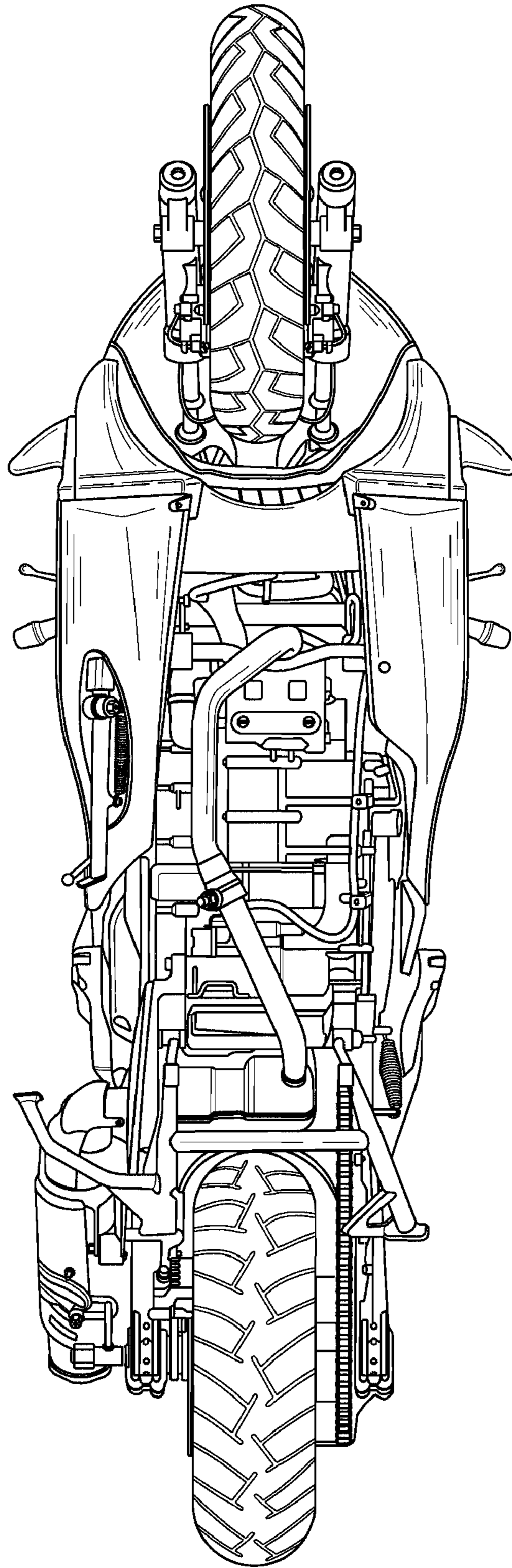


FIG. 7