



US00D610040S

(12) **United States Design Patent**
Thompson et al.

(10) **Patent No.:** **US D610,040 S**
(45) **Date of Patent:** **** Feb. 16, 2010**

(54) **AUTOMOBILE**

(75) Inventors: **Bryan Thompson**, San Diego, CA (US);
David Wong, San Diego, CA (US)

(73) Assignee: **Nissan Jidosha Kabushiki Kaisha**,
Kanagawa-ku, Yokohama-shi (JP)

(**) Term: **14 Years**

(21) Appl. No.: **29/314,820**

(22) Filed: **Apr. 30, 2009**

(30) **Foreign Application Priority Data**

Nov. 4, 2008 (JP) 2008-028283

(51) **LOC (9) Cl.** **12-08**

(52) **U.S. Cl.** **D12/91**

(58) **Field of Classification Search** D12/86,
D12/90–92, 93, 99, 1; D21/424, 433, 434,
D21/552; 296/181.1, 181.5

See application file for complete search history.

(56) **References Cited**

U.S. PATENT DOCUMENTS

D436,058 S * 1/2001 Demers et al. D12/1
D459,411 S * 6/2002 Berger D21/552
D491,844 S * 6/2004 Poulin D12/93
D499,987 S 12/2004 Yanase et al.
D501,428 S 2/2005 Takahashi et al.
D505,095 S * 5/2005 Frye D12/91
D511,716 S * 11/2005 Pfeiffer D12/91

D539,190 S * 3/2007 Brown et al. D12/91
D555,539 S * 11/2007 Pfeiffer D12/91
D599,703 S * 9/2009 Tamiya et al. D12/91

FOREIGN PATENT DOCUMENTS

JP 1146815 7/2002
JP 1209185 6/2004

* cited by examiner

Primary Examiner—Melody N Brown

(74) *Attorney, Agent, or Firm*—Fross Zelnick Lehrman &
Zissu, P.C.; Lawrence E. Apolzon, Esq.

(57) **CLAIM**

The ornamental design for an automobile, as shown and described.

DESCRIPTION

FIG. 1 is a front perspective view of an automobile showing our new design;

FIG. 2 is a rear perspective view of the automobile shown in FIG. 1;

FIG. 3 is a front view of the automobile shown in FIG. 1;

FIG. 4 is a rear view of the automobile shown in FIG. 1;

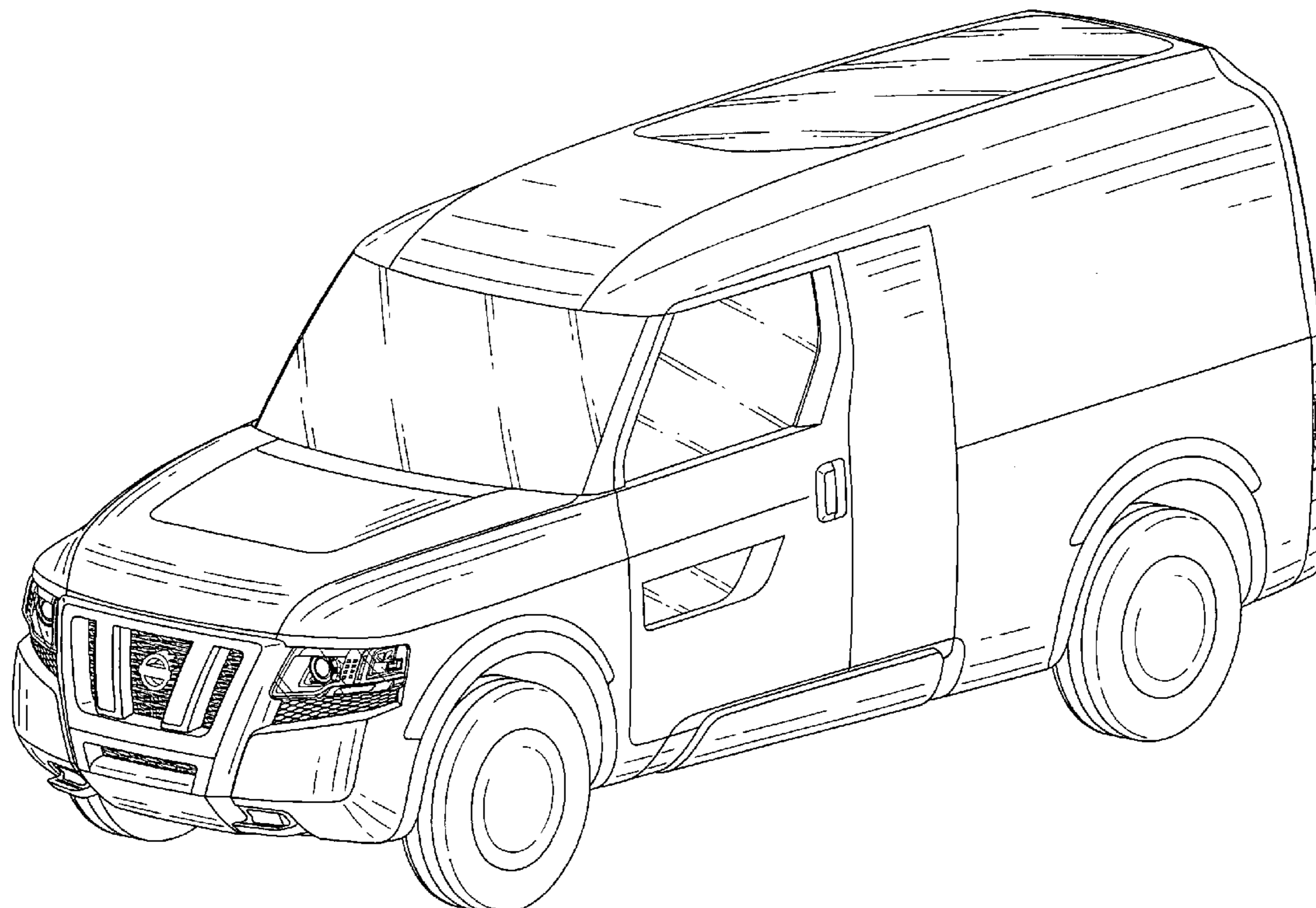
FIG. 5 is a left side view of the automobile shown in FIG. 1;

FIG. 6 is a right side view of the automobile shown in FIG. 1;

FIG. 7 is a top view of the automobile shown in FIG. 1; and,

FIG. 8 is a bottom view of the automobile shown in FIG. 1.

1 Claim, 7 Drawing Sheets



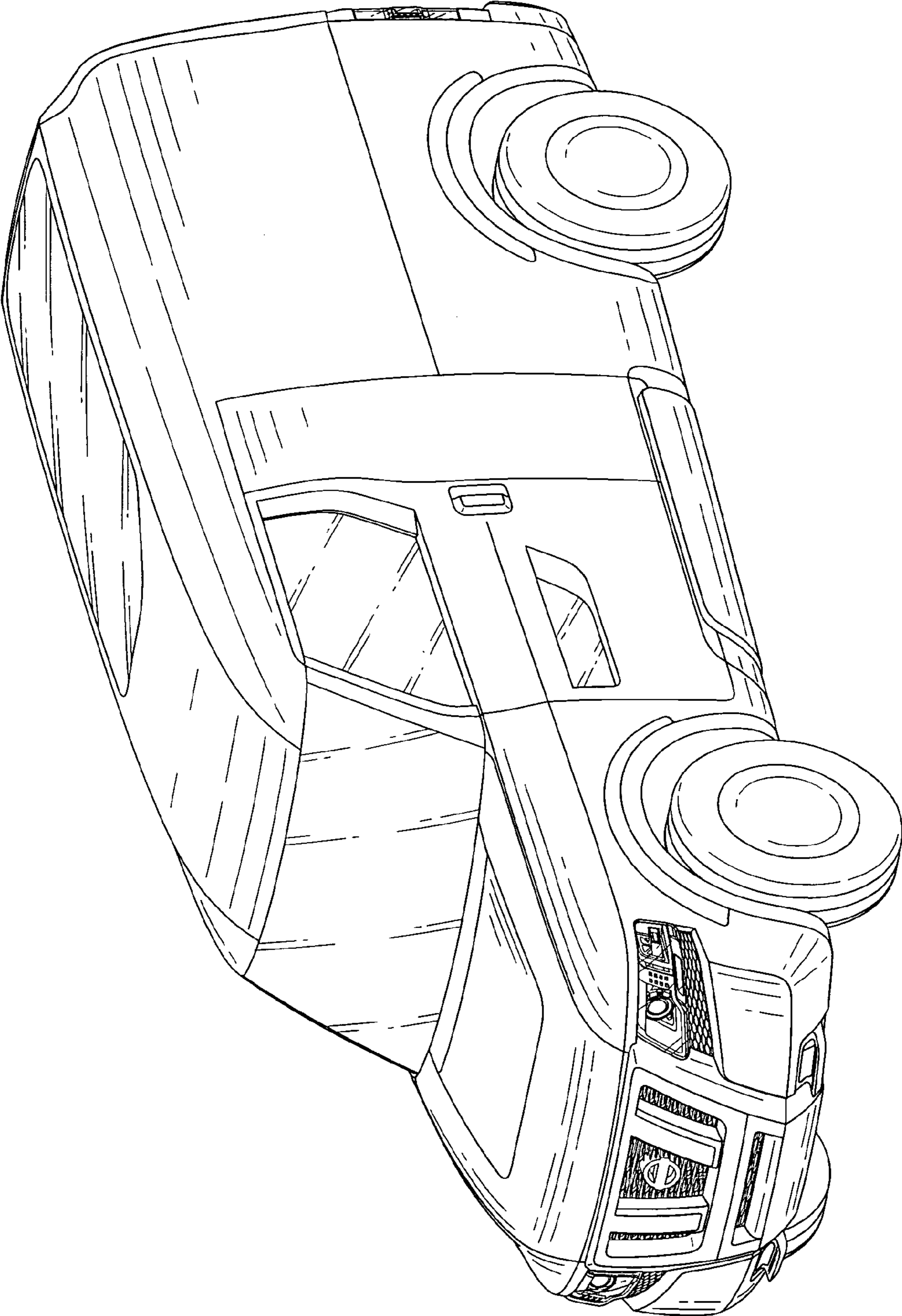


FIG. 1

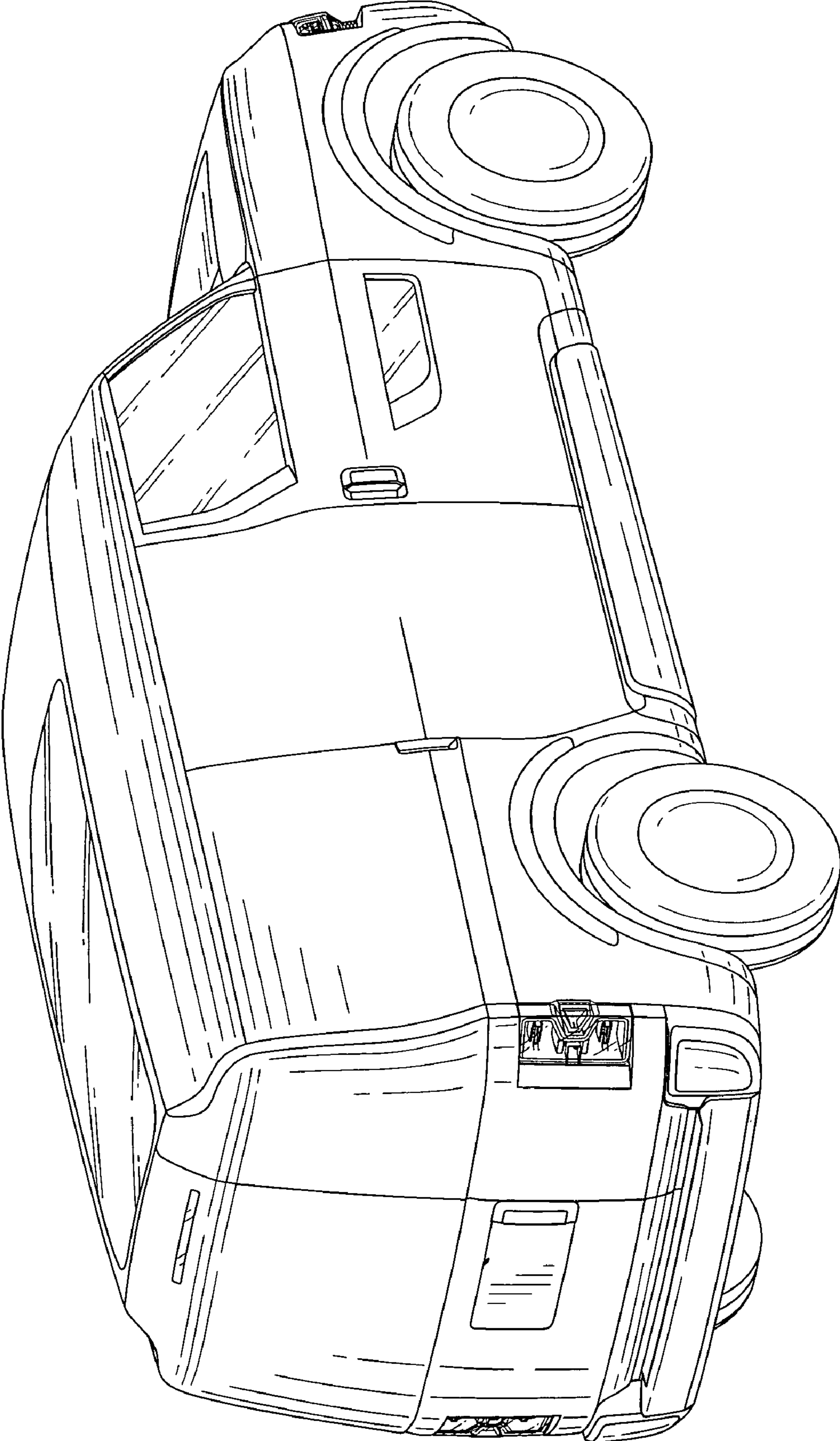


FIG. 2

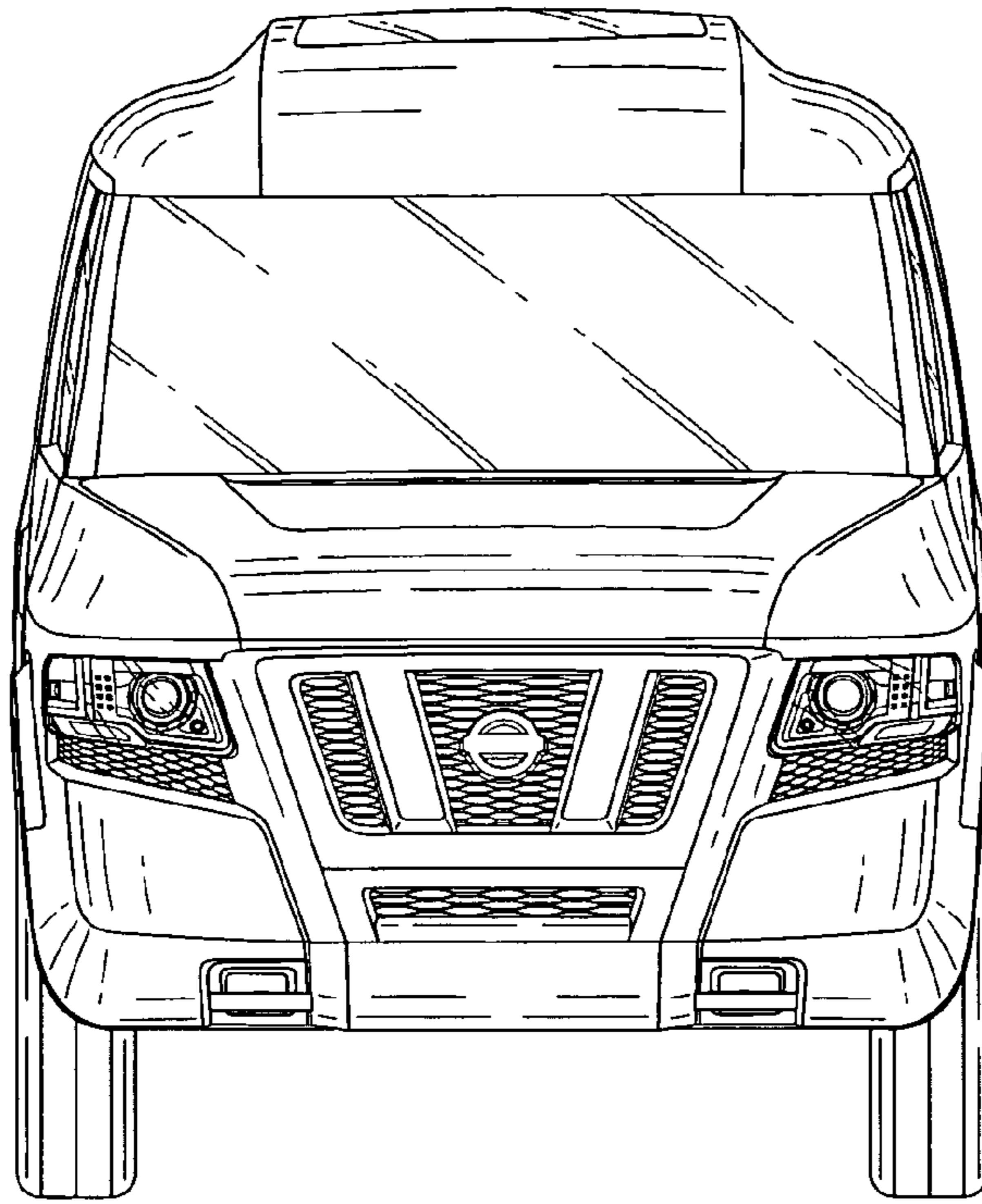


FIG. 3

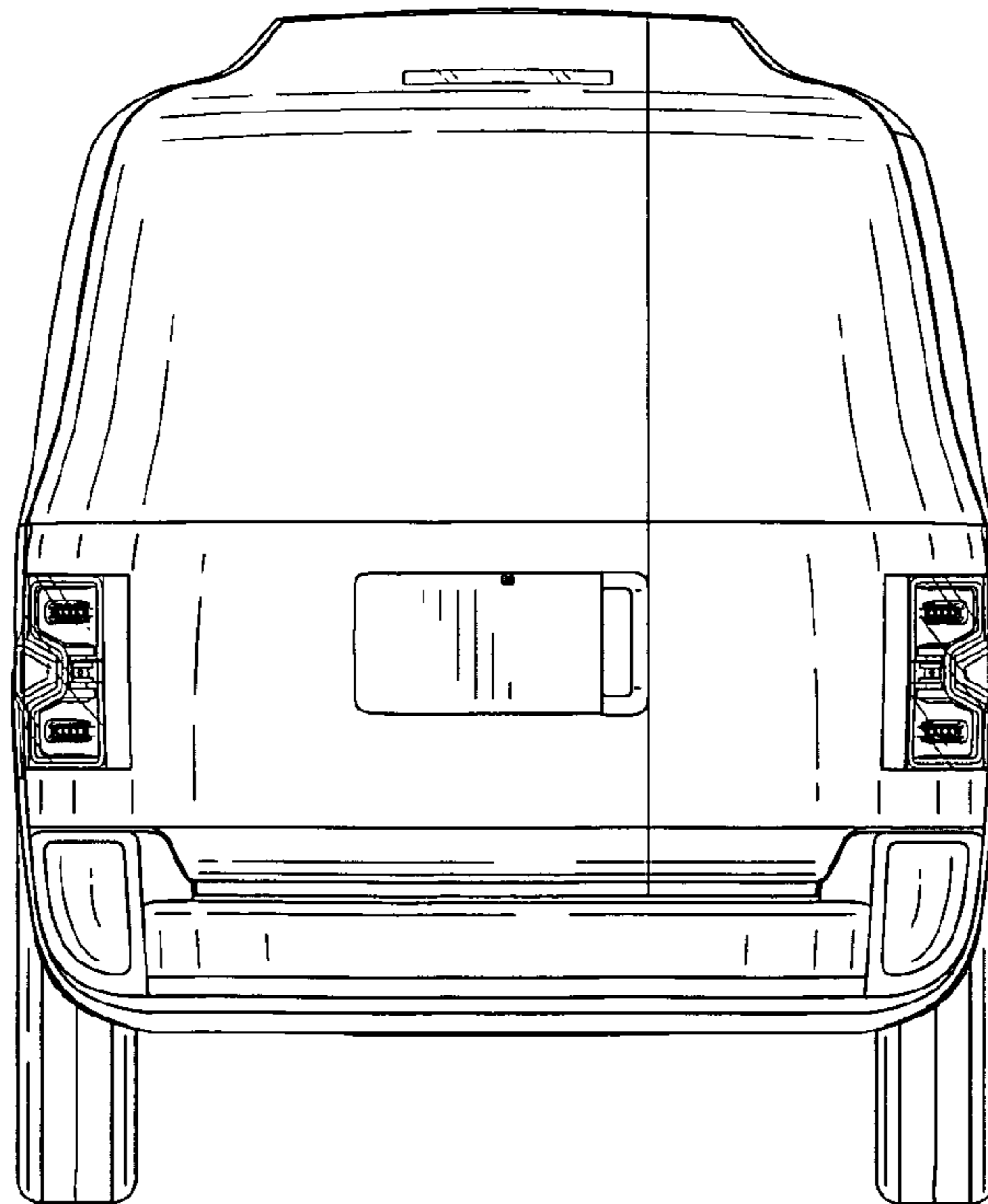


FIG. 4

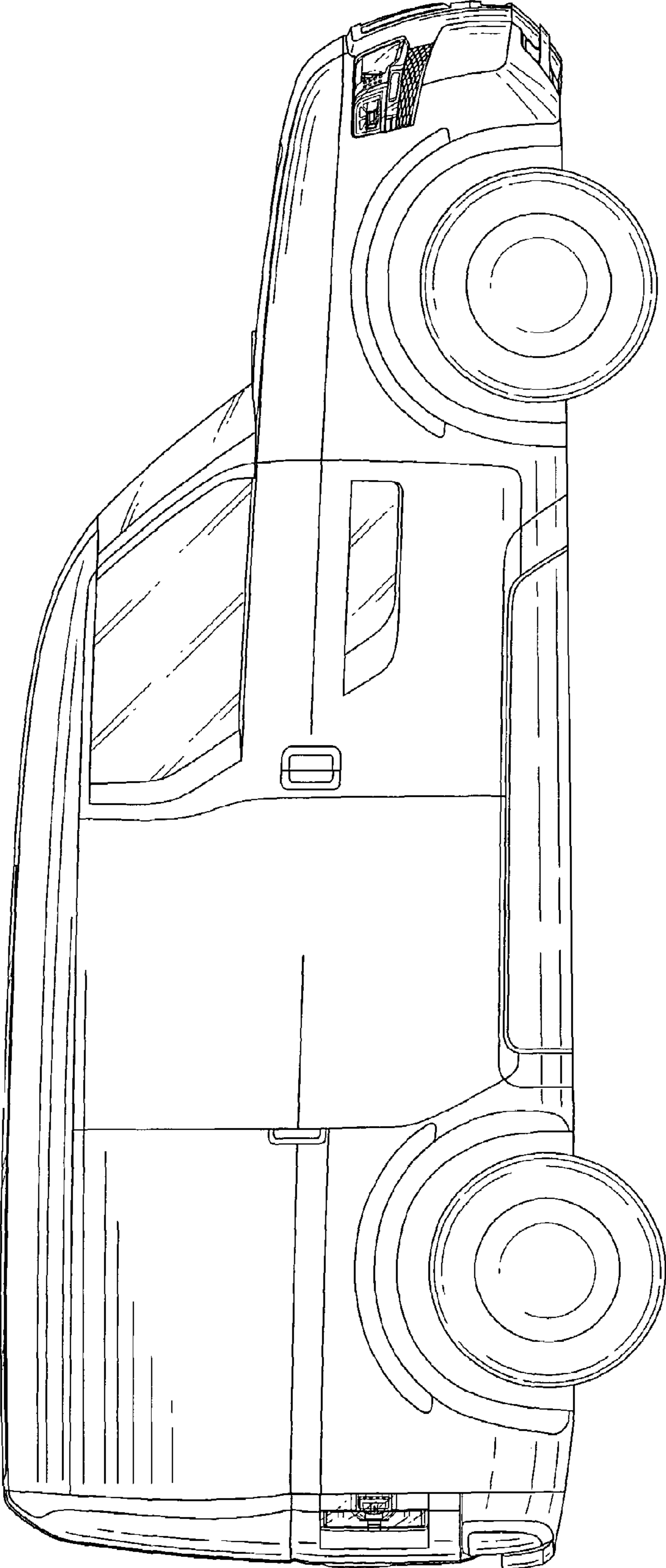


FIG. 5

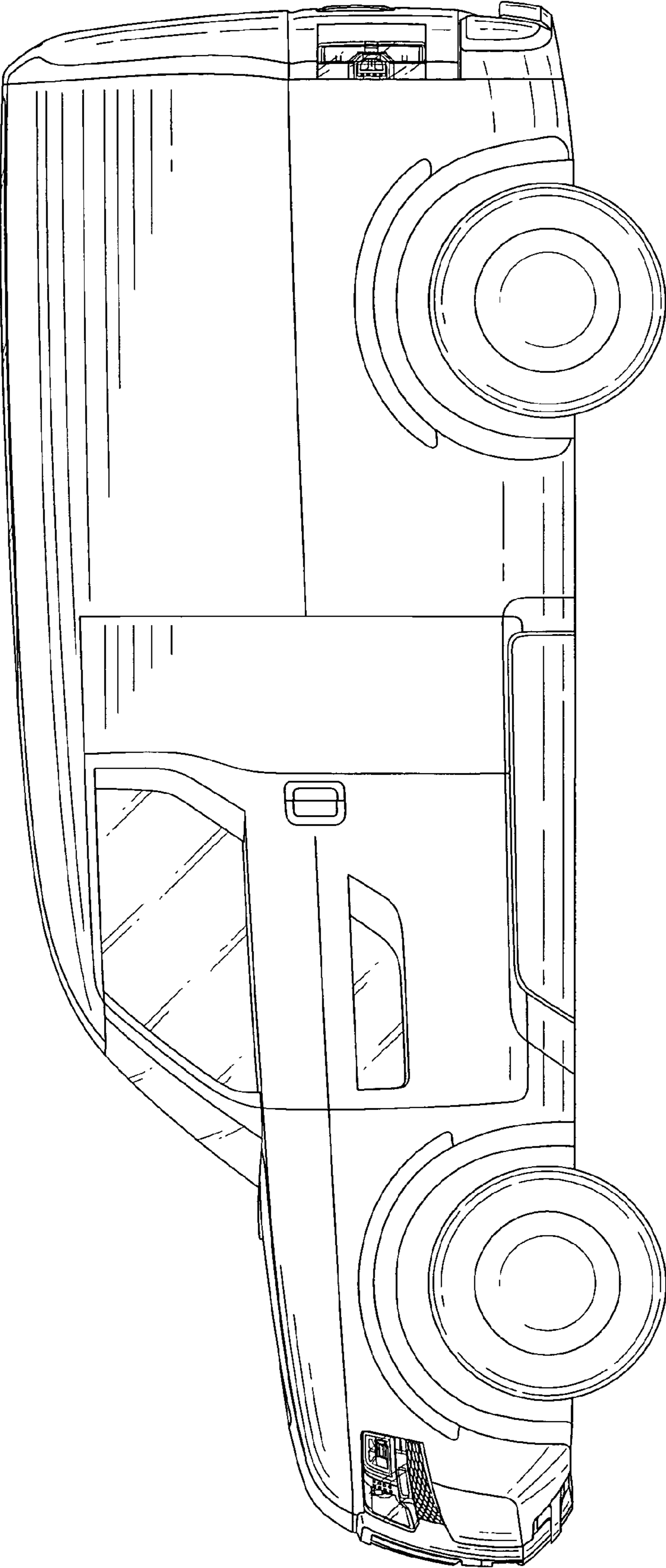


FIG. 6

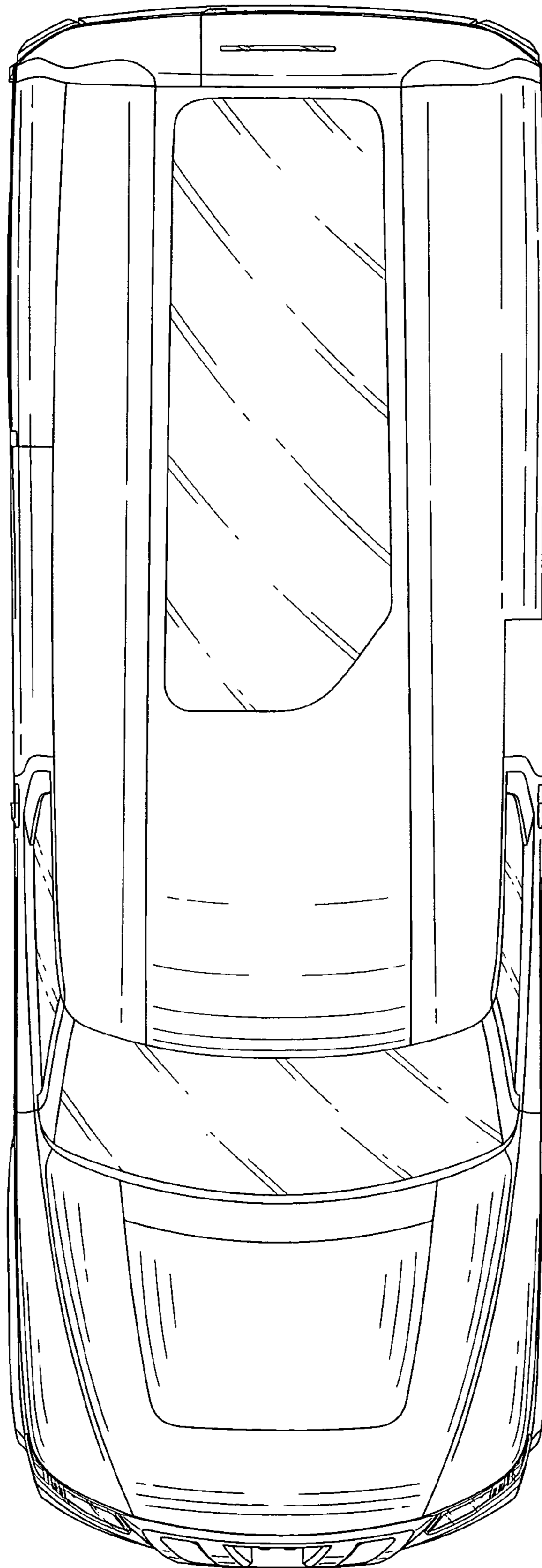


FIG. 7

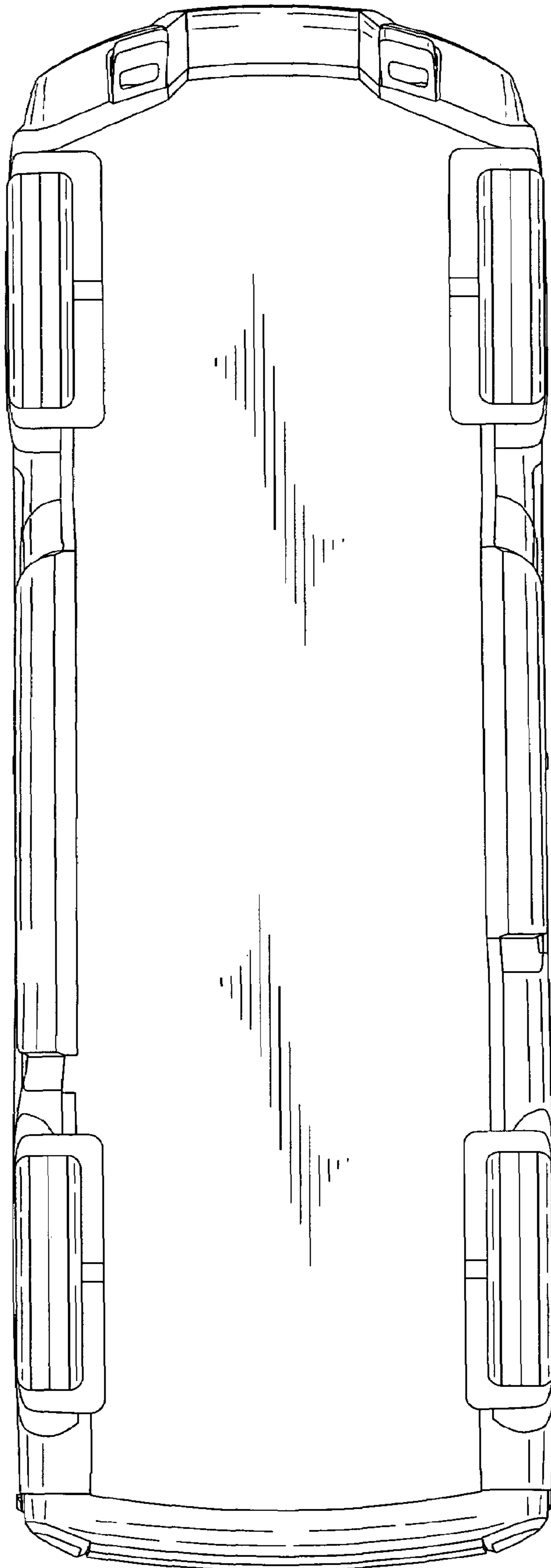


FIG. 8