



US00D610037S

(12) **United States Design Patent**  
**Zhang et al.**

(10) **Patent No.:** **US D610,037 S**

(45) **Date of Patent:** **\*\* Feb. 16, 2010**

(54) **ELECTRIC VEHICLE**

(75) Inventors: **Xueqing Zhang**, Suzhou (CN); **Anding Zhu**, Suzhou (CN)

(73) Assignee: **Suzhou Eagle Electric Vehicle Manufacturing Co., Ltd.**, Suzhou (CN)

(\*\*) Term: **14 Years**

(21) Appl. No.: **29/336,323**

(22) Filed: **Apr. 30, 2009**

(51) **LOC (9) Cl.** ..... **12-14**

(52) **U.S. Cl.** ..... **D12/1; D12/16; D12/14**

(58) **Field of Classification Search** ..... D12/87,  
D12/86, 1, 433, 15, 16, 107, 82, 88, 89, 90,  
D12/91, 92, 93, 84, 100; D15/30; D21/803;  
180/233, 908; 280/DIG. 5, 183, 184, 185,  
280/186, 28, 37.7

See application file for complete search history.

(56) **References Cited**

**U.S. PATENT DOCUMENTS**

- D217,810 S \* 6/1970 McGinnis ..... D12/84
- D320,960 S \* 10/1991 Shea, Sr. .... D12/100
- D419,107 S \* 1/2000 Hofer et al. .... D12/86
- D419,485 S \* 1/2000 Sturges ..... D12/86
- D419,490 S \* 1/2000 Hofer et al. .... D12/98
- D421,411 S \* 3/2000 Molzon et al. .... D12/82
- D425,445 S \* 5/2000 Molzon et al. .... D12/1
- D442,118 S \* 5/2001 Molzon et al. .... D12/1
- 6,293,616 B1 \* 9/2001 Williams et al. .... 296/203.01
- D465,177 S \* 11/2002 Daurelle et al. .... D12/84

- D483,695 S \* 12/2003 Bellington ..... D12/16
- D502,892 S \* 3/2005 Miernik ..... D12/100
- D503,126 S \* 3/2005 Papke et al. .... D12/84
- D537,755 S \* 3/2007 Toth ..... D12/84
- D552,509 S \* 10/2007 Walkup et al. .... D12/16
- 7,287,779 B2 \* 10/2007 Miller ..... 280/781
- D563,831 S \* 3/2008 Suge et al. .... D12/84

\* cited by examiner

*Primary Examiner*—T. Chase Nelson

*Assistant Examiner*—Ania K Dworzecka

(74) *Attorney, Agent, or Firm*—Kenneth H. Ohriner; Perkins Coie LLP

(57) **CLAIM**

The ornamental design for an electric vehicle, as shown and described.

**DESCRIPTION**

FIG. 1 is a front perspective view of an electric vehicle showing my new design.

FIG. 2 is a front elevation view thereof.

FIG. 3 is a rear elevation view thereof.

FIG. 4 is a left side elevation view thereof.

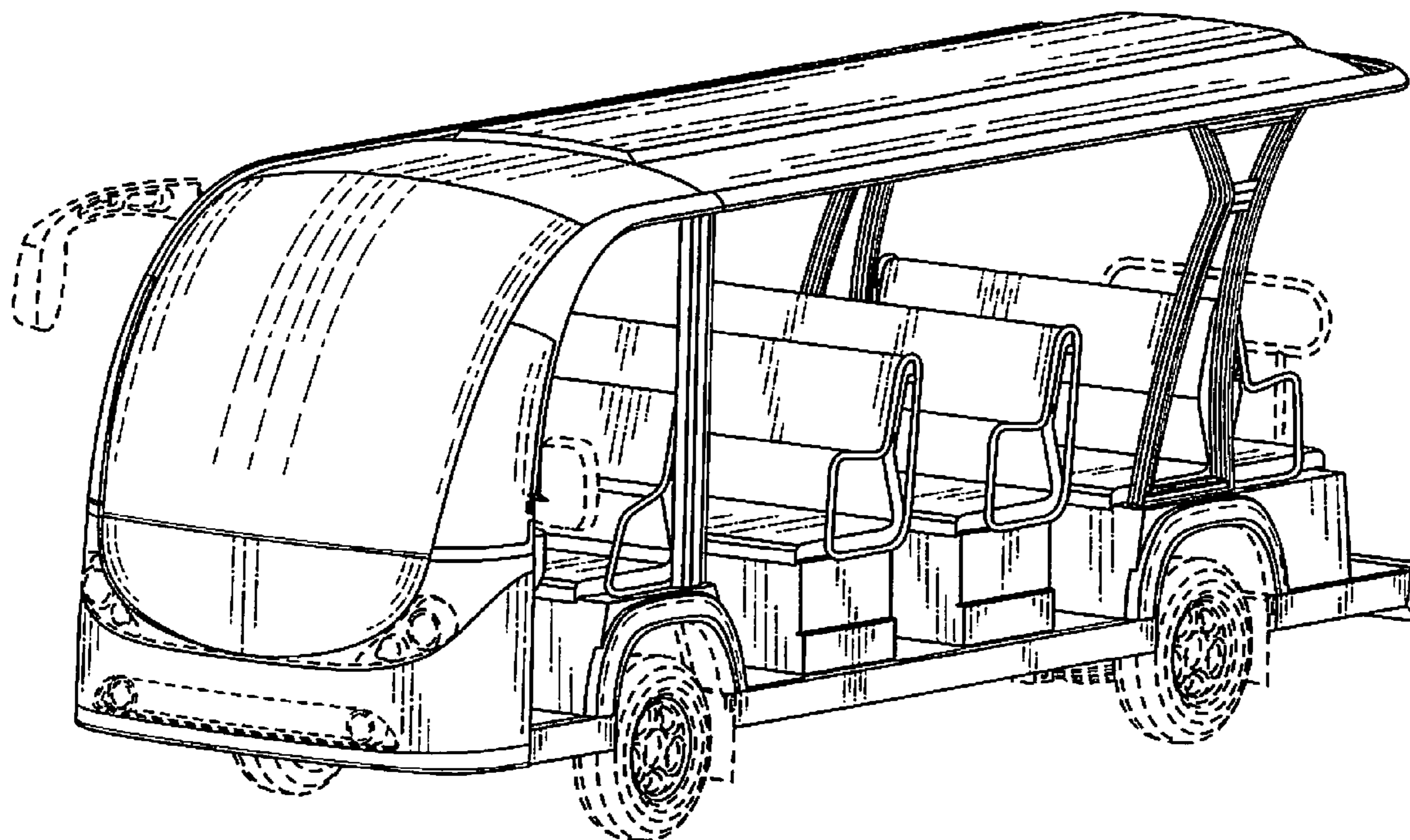
FIG. 5 is a right side elevation view thereof; and,

FIG. 6 is a top plan view.

The bottom has no claimed ornamental features.

The broken lines depict portions of the electric vehicle that form no part of the claimed design.

**1 Claim, 5 Drawing Sheets**



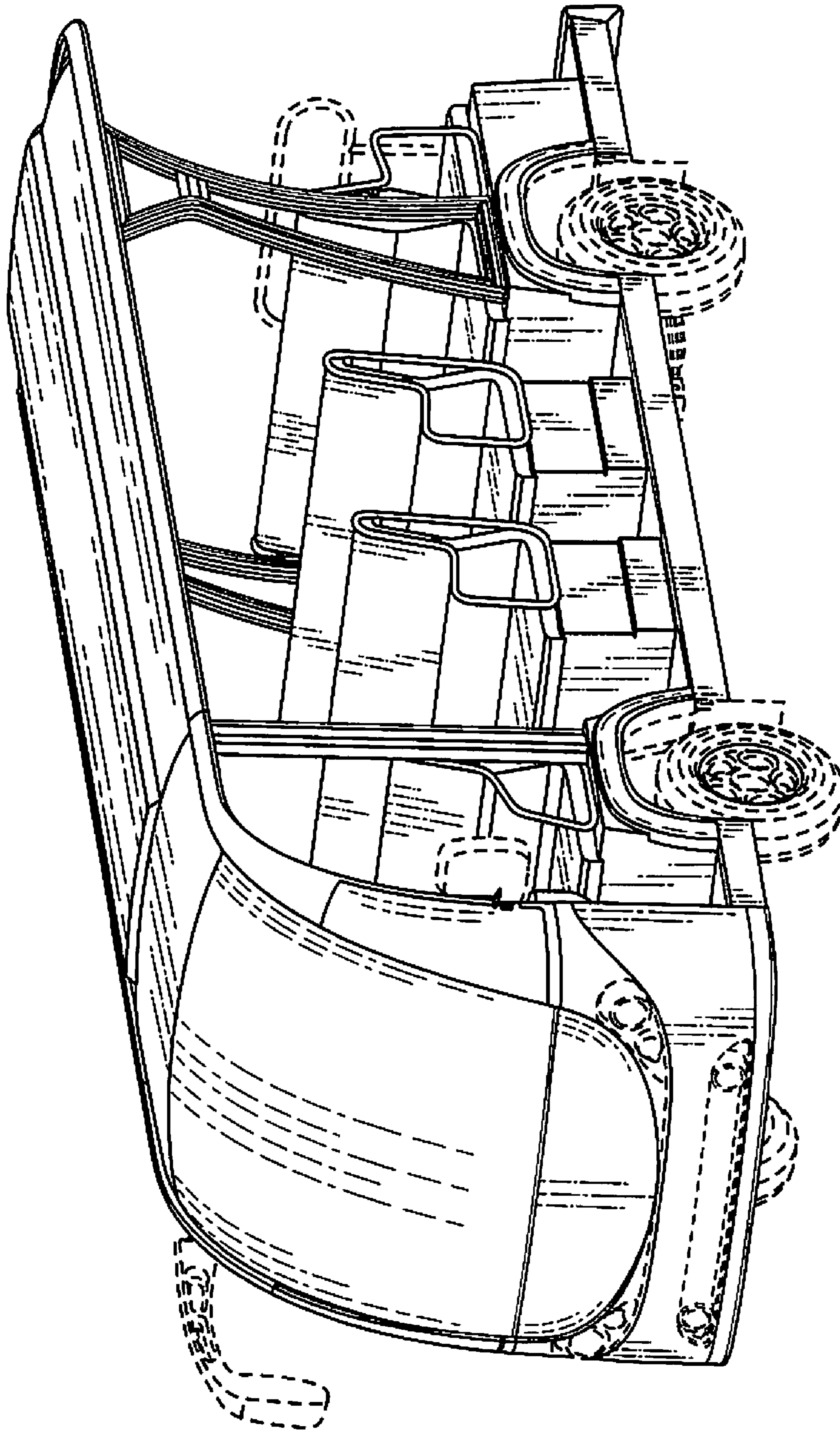


FIG. 1

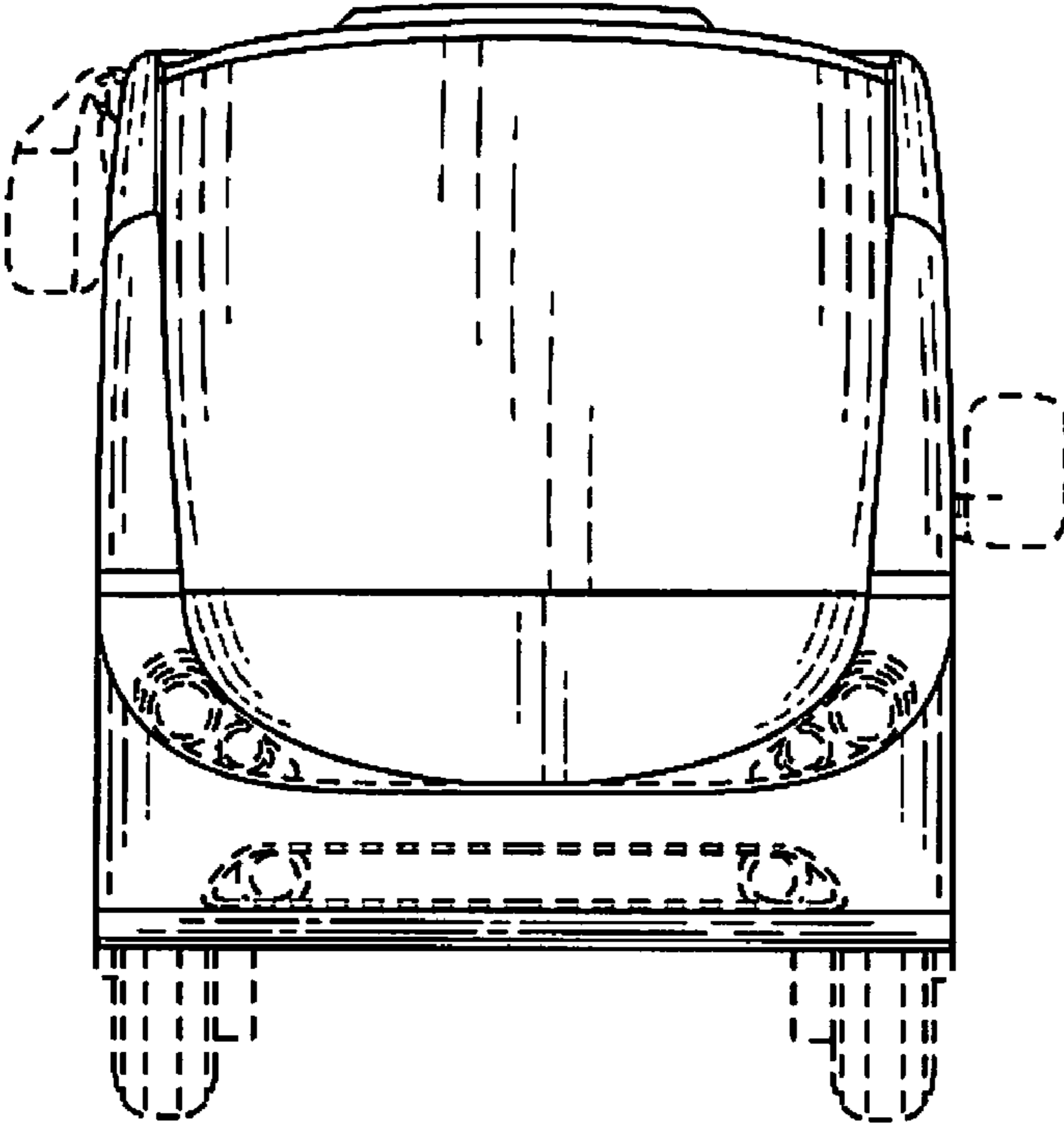


FIG. 2

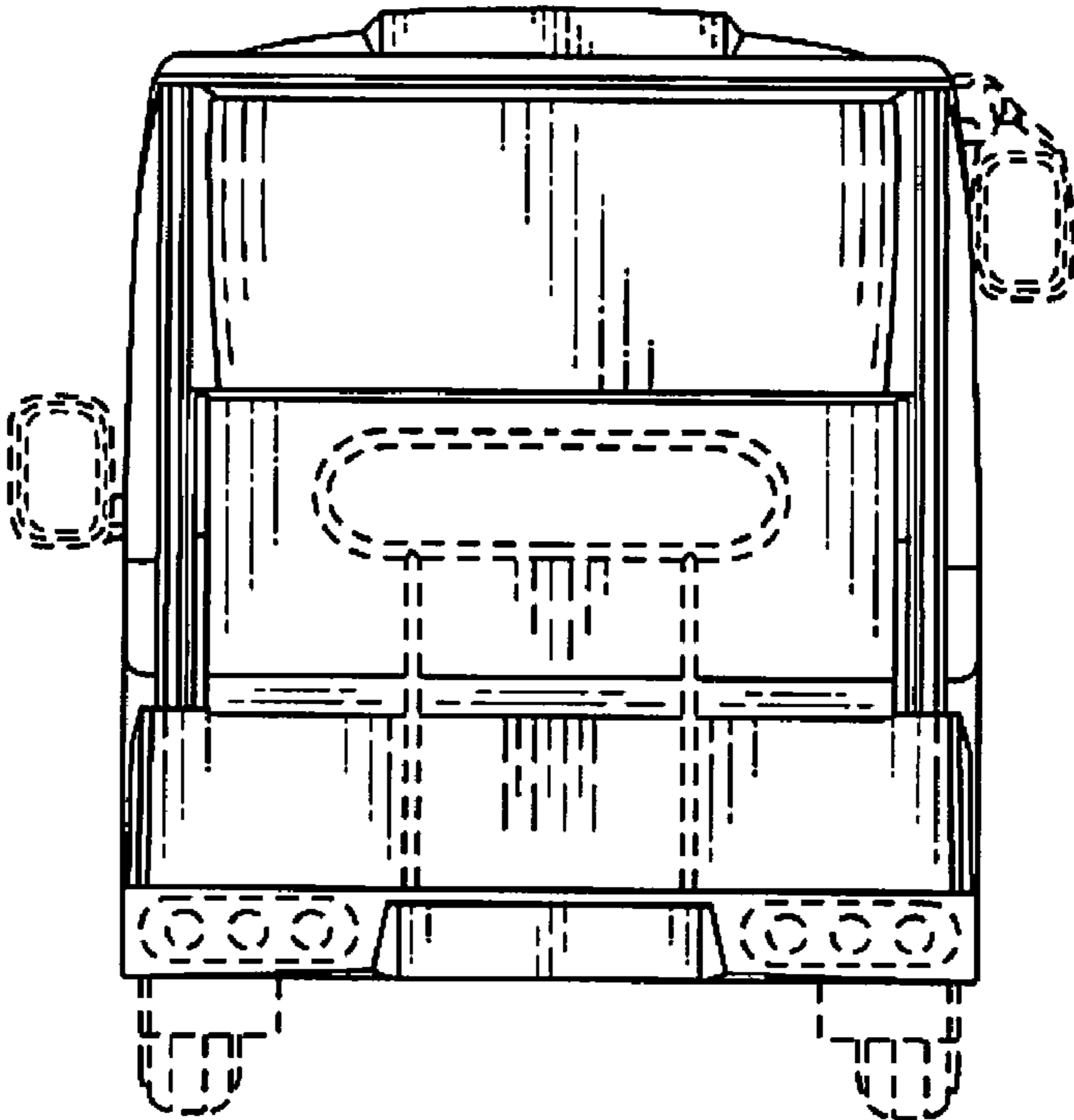


FIG. 3

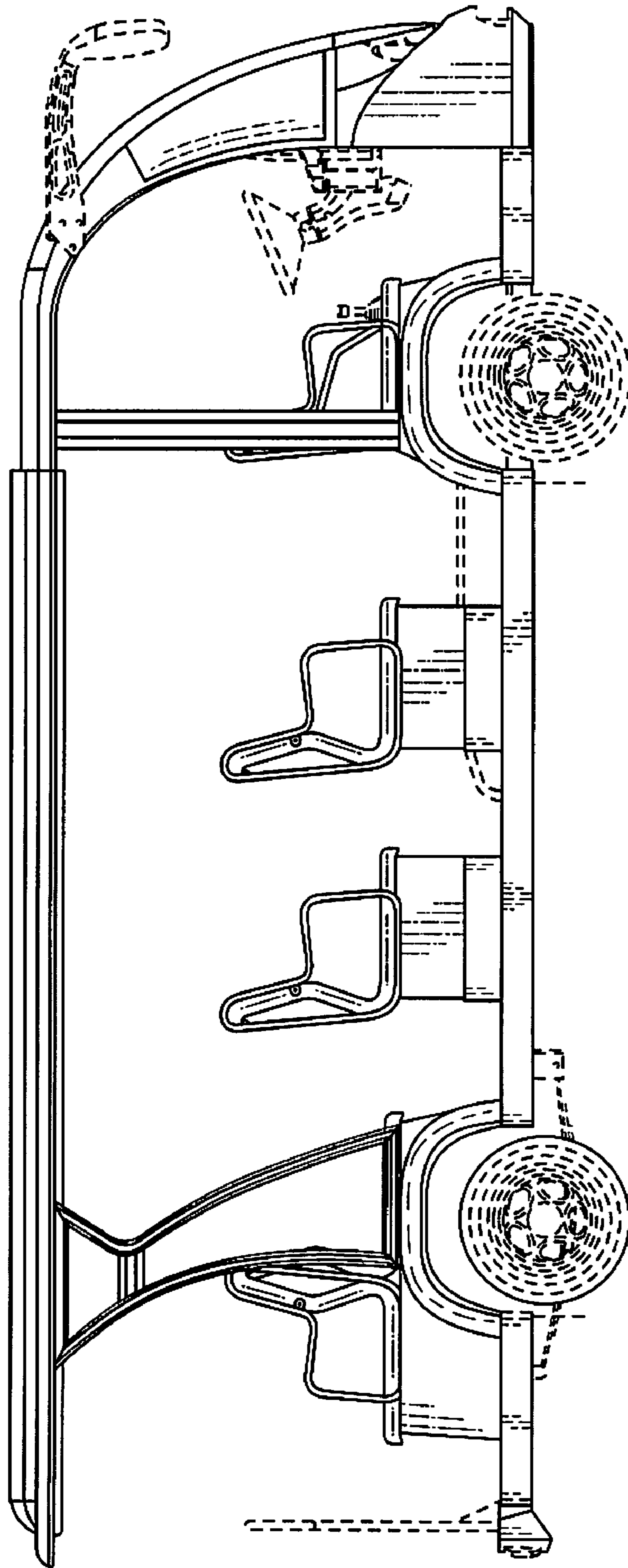


FIG. 4

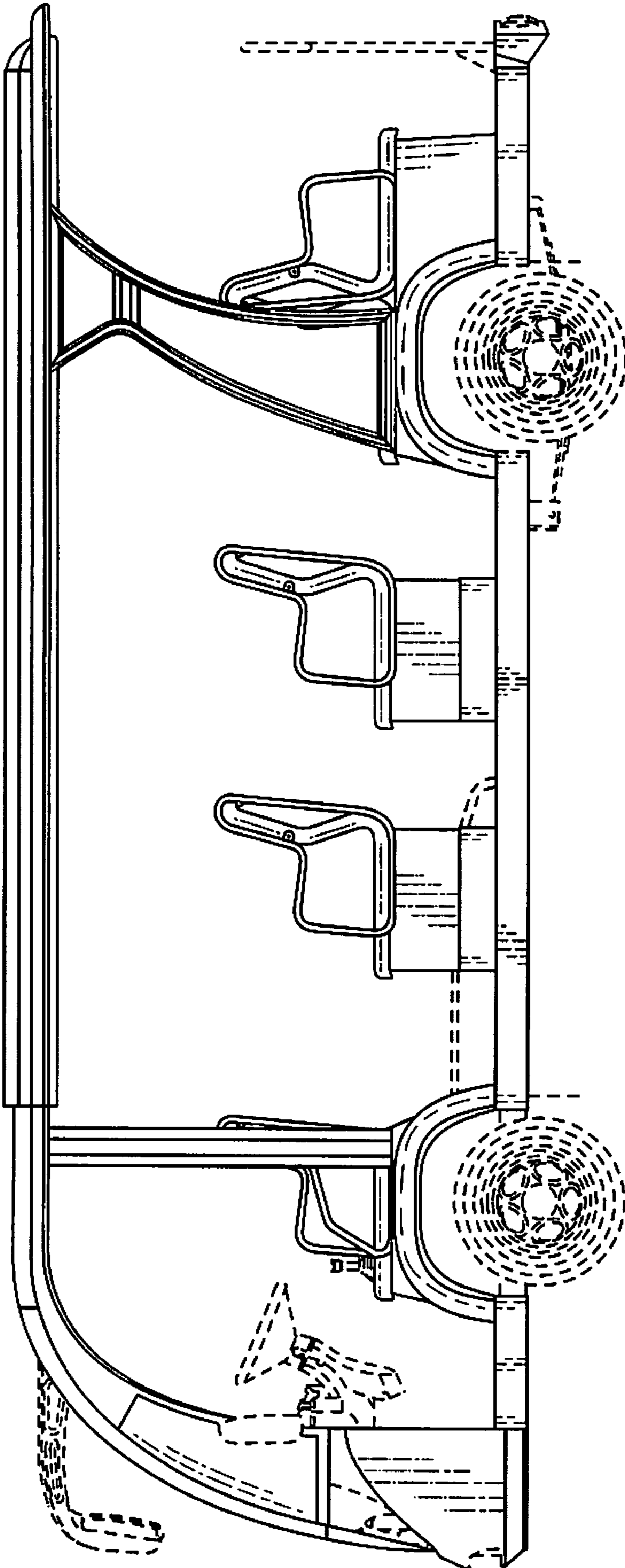


FIG. 5

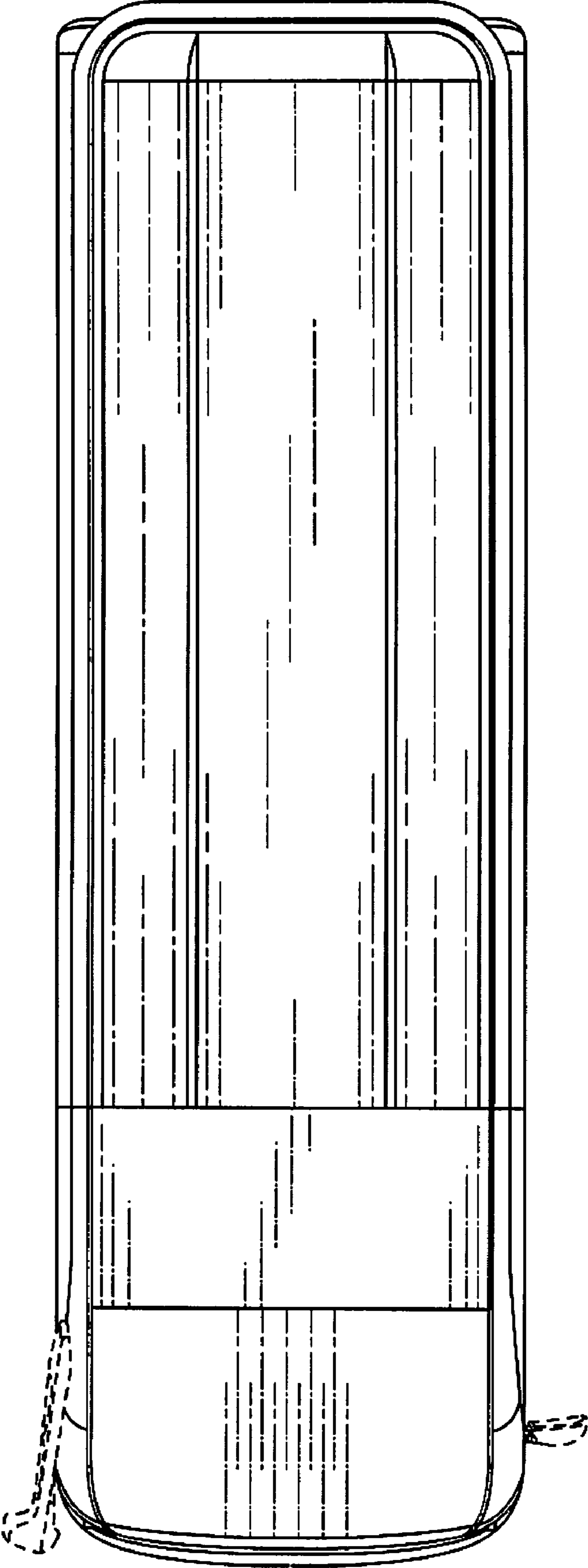


FIG. 6