



US00D610036S

(12) **United States Design Patent**  
**Balensiefer, II**

(10) **Patent No.:** **US D610,036 S**

(45) **Date of Patent:** **\*\* Feb. 16, 2010**

(54) **NON-HANDED MINI-CONNECTOR**

7,055,903 B2 \* 6/2006 Balensiefer et al. .... 297/256.11  
7,178,872 B2 \* 2/2007 Balensiefer et al. .... 297/250.1  
7,331,633 B2 \* 2/2008 Balensiefer et al. .... 297/440.21

(75) Inventor: **Eugene R. Balensiefer, II**, Tipton, IN (US)

\* cited by examiner

(73) Assignee: **Indiana Mills & Manufacturing, Inc.**, Westfield, IN (US)

*Primary Examiner*—Paula Greene  
(74) *Attorney, Agent, or Firm*—Woodard, Emhardt, Moriarty, McNett & Henry LLP

(\*\*) Term: **14 Years**

(21) Appl. No.: **29/320,233**

(57) **CLAIM**

(22) Filed: **Jun. 24, 2008**

The ornamental design for a non-handed mini-connector, as shown and described.

(51) **LOC (9) Cl.** ..... **02-07**

(52) **U.S. Cl.** ..... **D11/201; D8/383**

(58) **Field of Classification Search** ..... D11/200, D11/201, 216, 218, 87; 24/68 E, 130, 134 R, 24/598.5, 331, 349, 633, 265 H, 115 G, 115 M, 24/136 R, 614, 615, 616; 297/250.1, 253; D8/382, 383, 333, 395; 280/801.1

**DESCRIPTION**

See application file for complete search history.

FIG. 1 is a perspective view of a prior art right handed mini-connector;

FIG. 2 is a perspective view of a prior art left handed mini-connector thereof;

FIG. 3 is a perspective view of a non-handed mini-connector incorporating my new design thereof;

FIG. 4 is a side view of the mini-connector of FIG. 3 with the opposite side view being a mirror image thereof;

FIG. 5 is a right end view of the mini-connector of FIG. 4 thereof;

FIG. 6 is a left end view of the mini-connector of FIG. 4 thereof;

FIG. 7 is a top view thereof; and,

FIG. 8 is bottom view thereof.

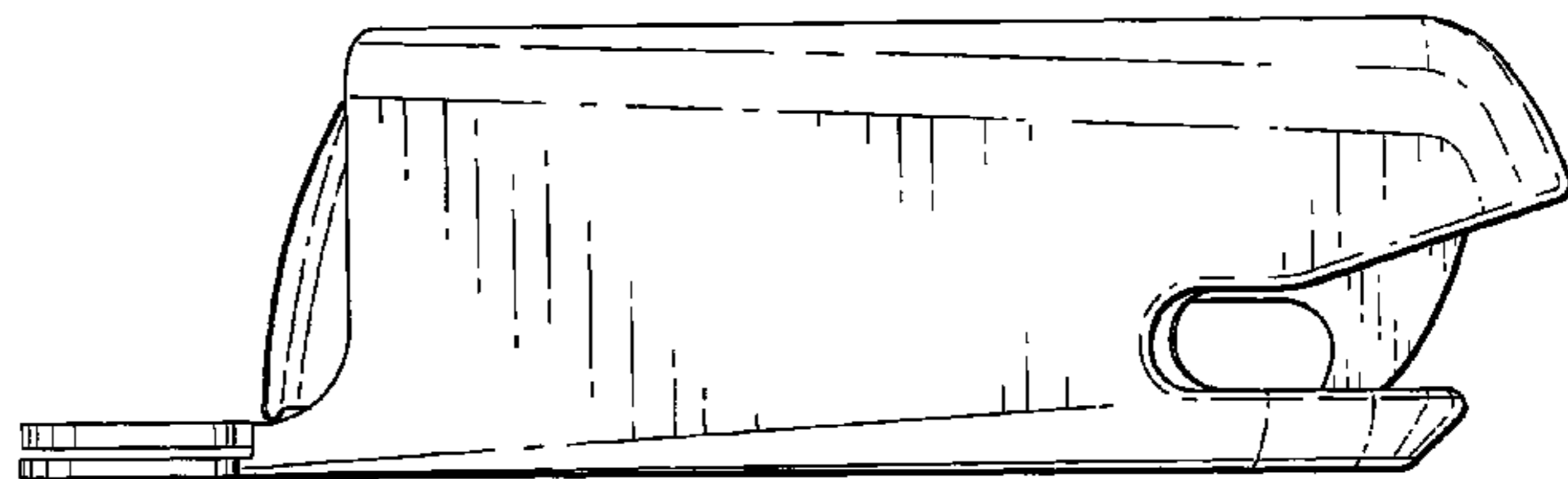
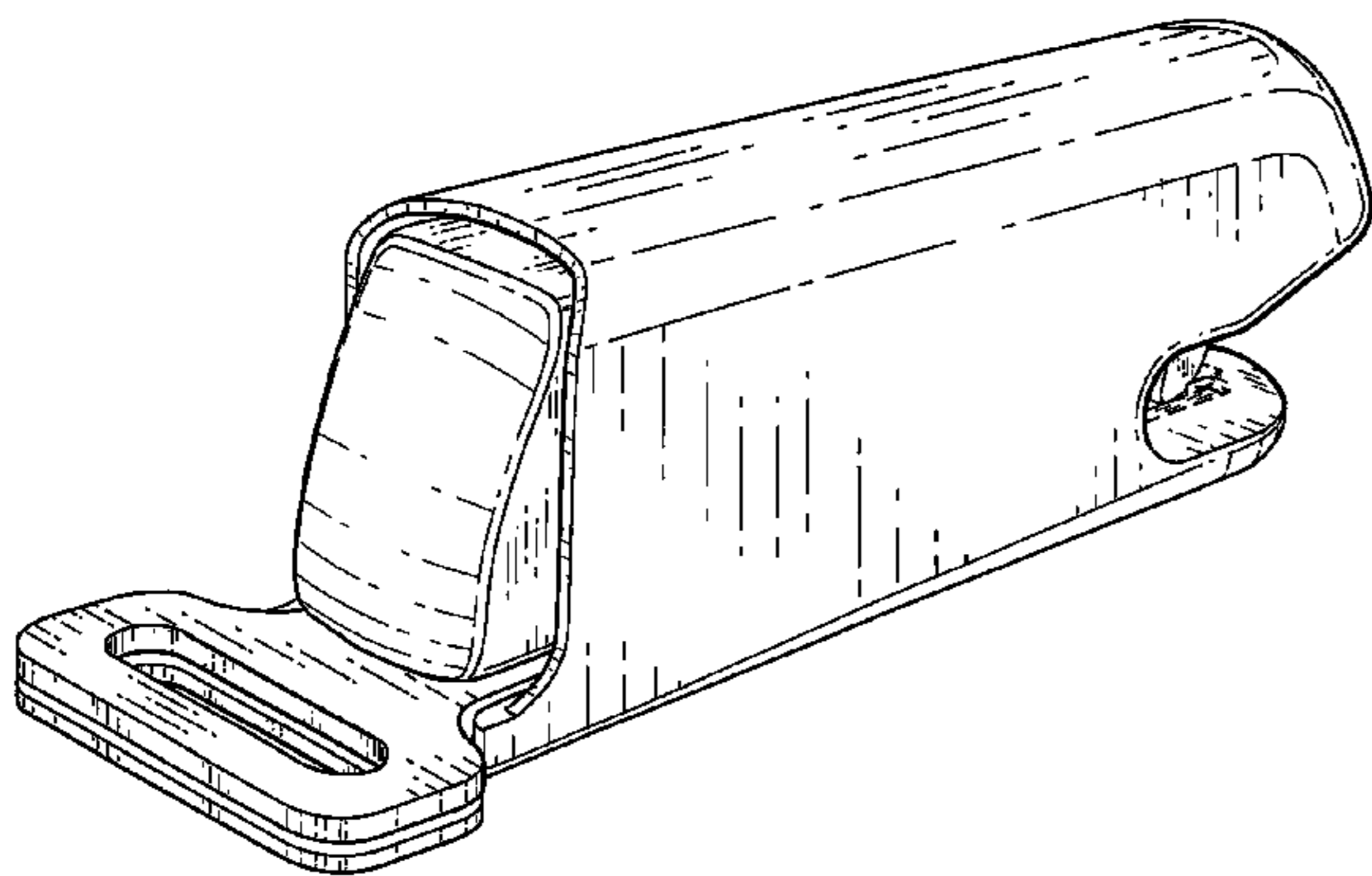
The broken lines shown in the nose of the product form no part of the claimed design.

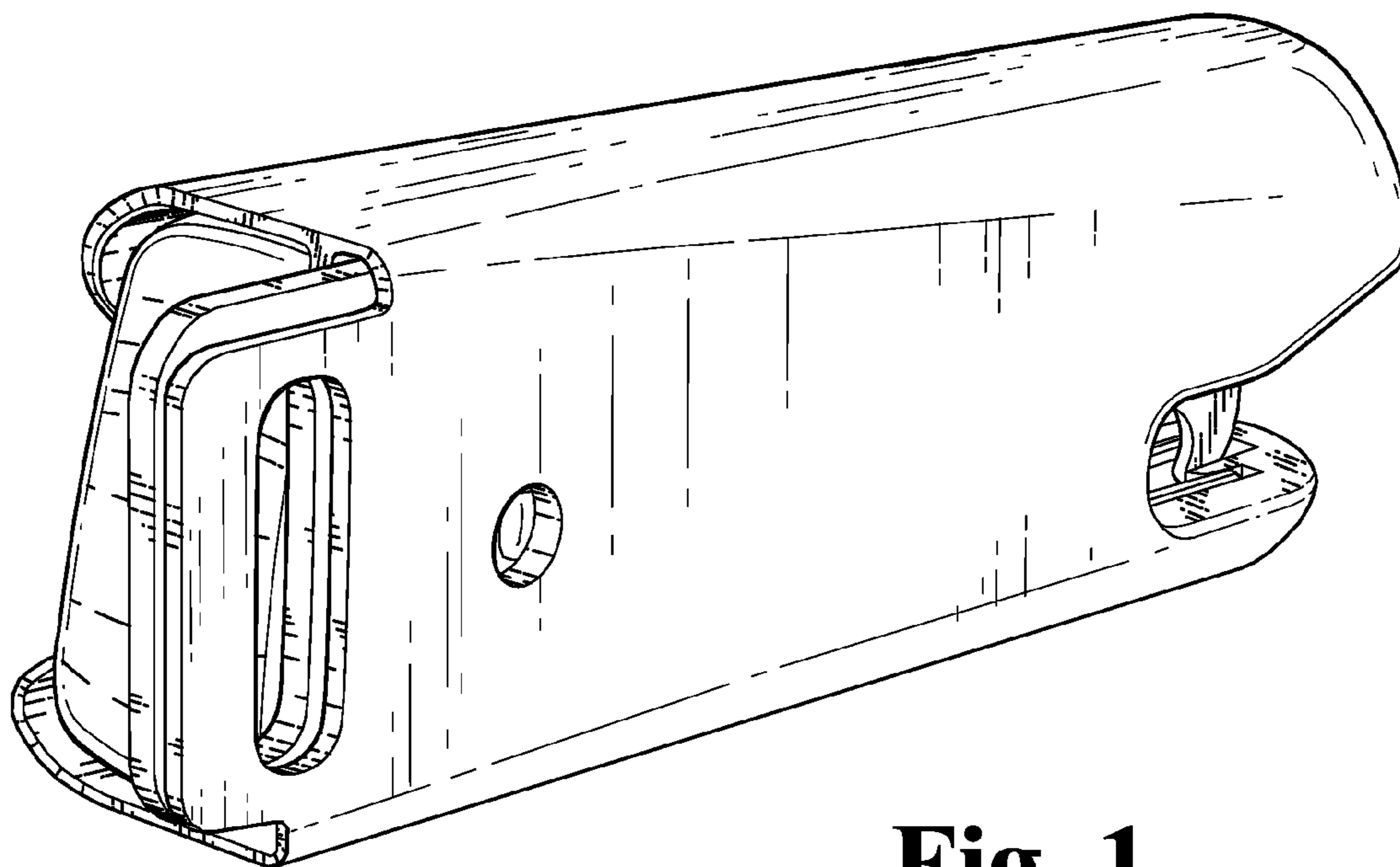
(56) **References Cited**

U.S. PATENT DOCUMENTS

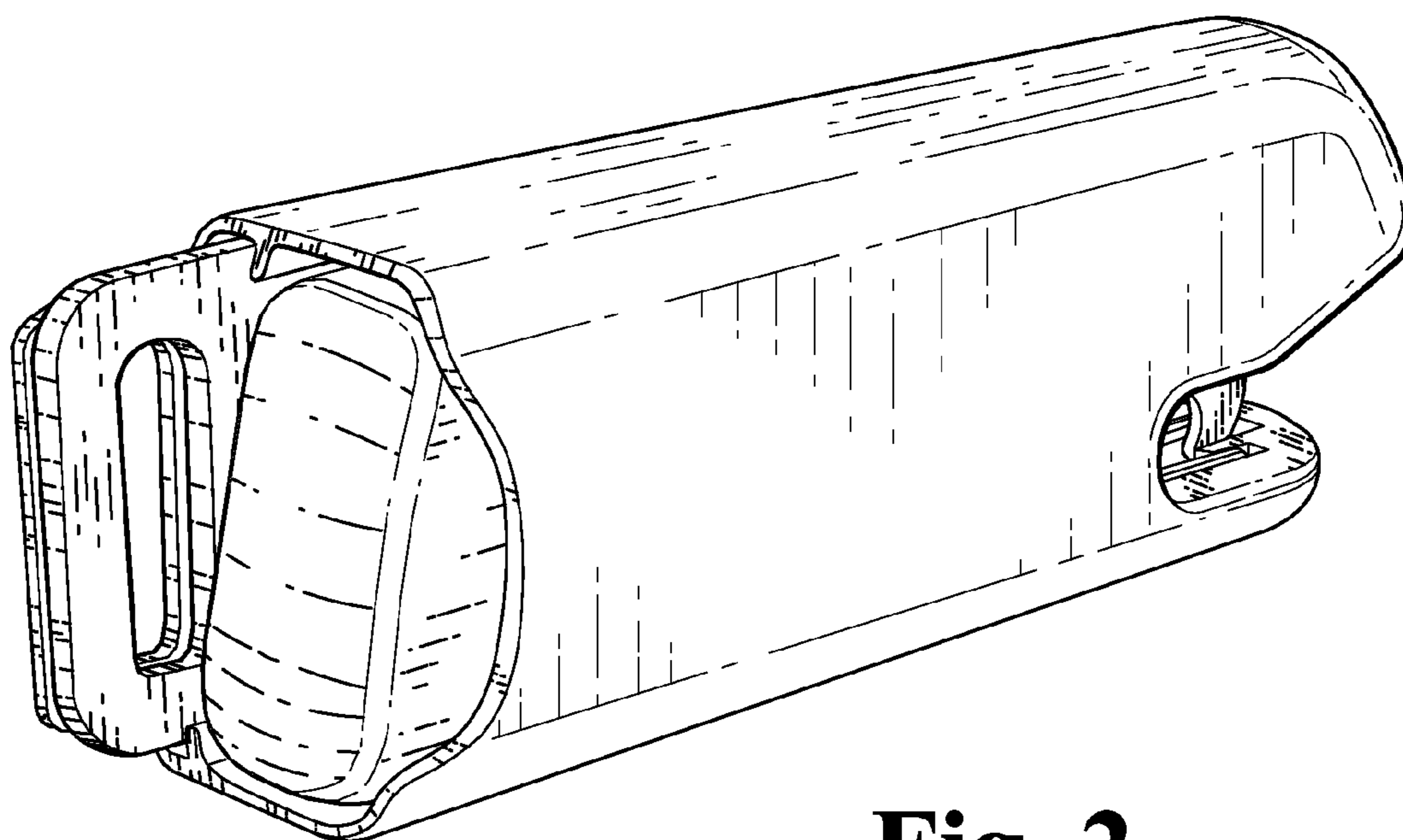
697,127 A \* 4/1902 Bogendoerfer ..... 431/35  
872,270 A \* 11/1907 Bellinger ..... 24/598.9  
3,128,520 A \* 4/1964 Carter et al. .... 24/598.5  
3,252,188 A \* 5/1966 Davis ..... 24/68 E  
3,852,943 A \* 12/1974 Healy ..... 24/134 R  
D266,985 S \* 11/1982 Prete, Jr. .... D8/383  
4,613,180 A \* 9/1986 Pope ..... 294/82.34  
5,133,111 A \* 7/1992 Brown ..... 24/134 R  
5,430,914 A \* 7/1995 Patterson et al. .... 24/598.5  
6,654,990 B2 \* 12/2003 Liu ..... 24/598.5  
6,962,394 B2 \* 11/2005 Anthony et al. .... 297/253  
7,021,710 B2 \* 4/2006 Kain et al. .... 297/256.11

**1 Claim, 4 Drawing Sheets**

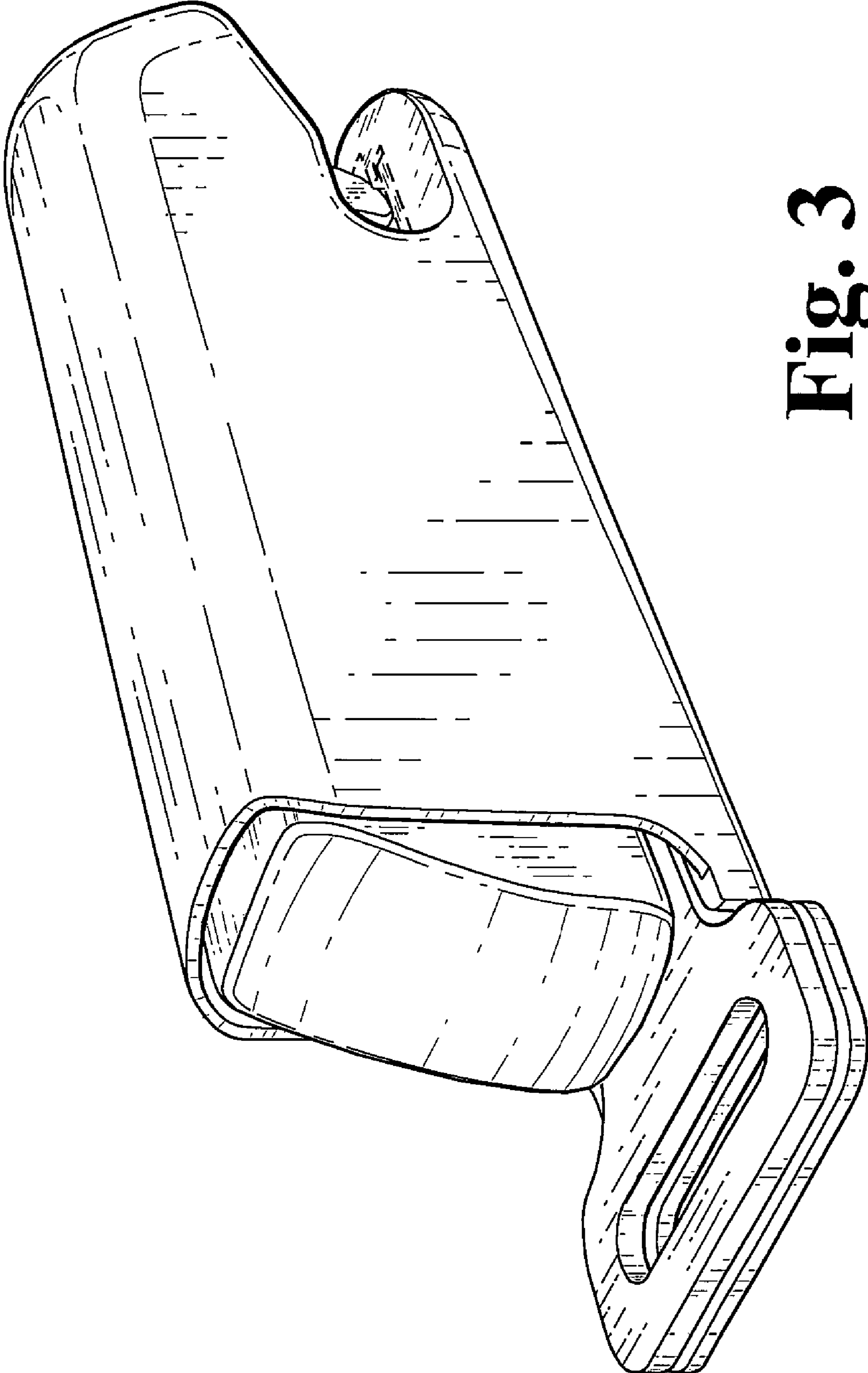




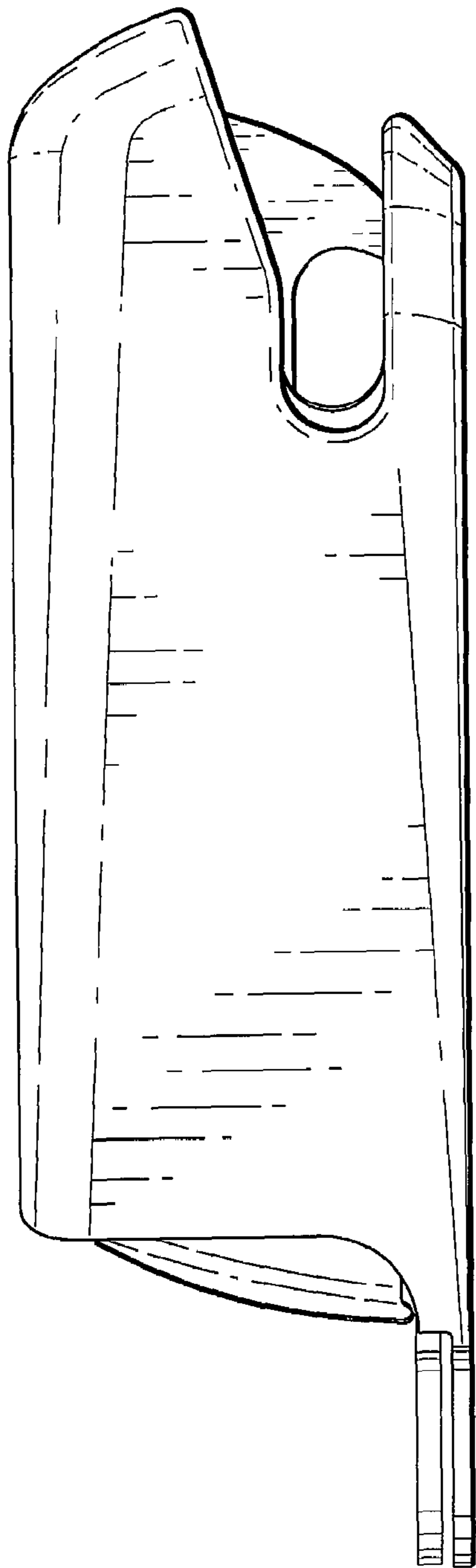
**Fig. 1**  
*(Prior Art)*



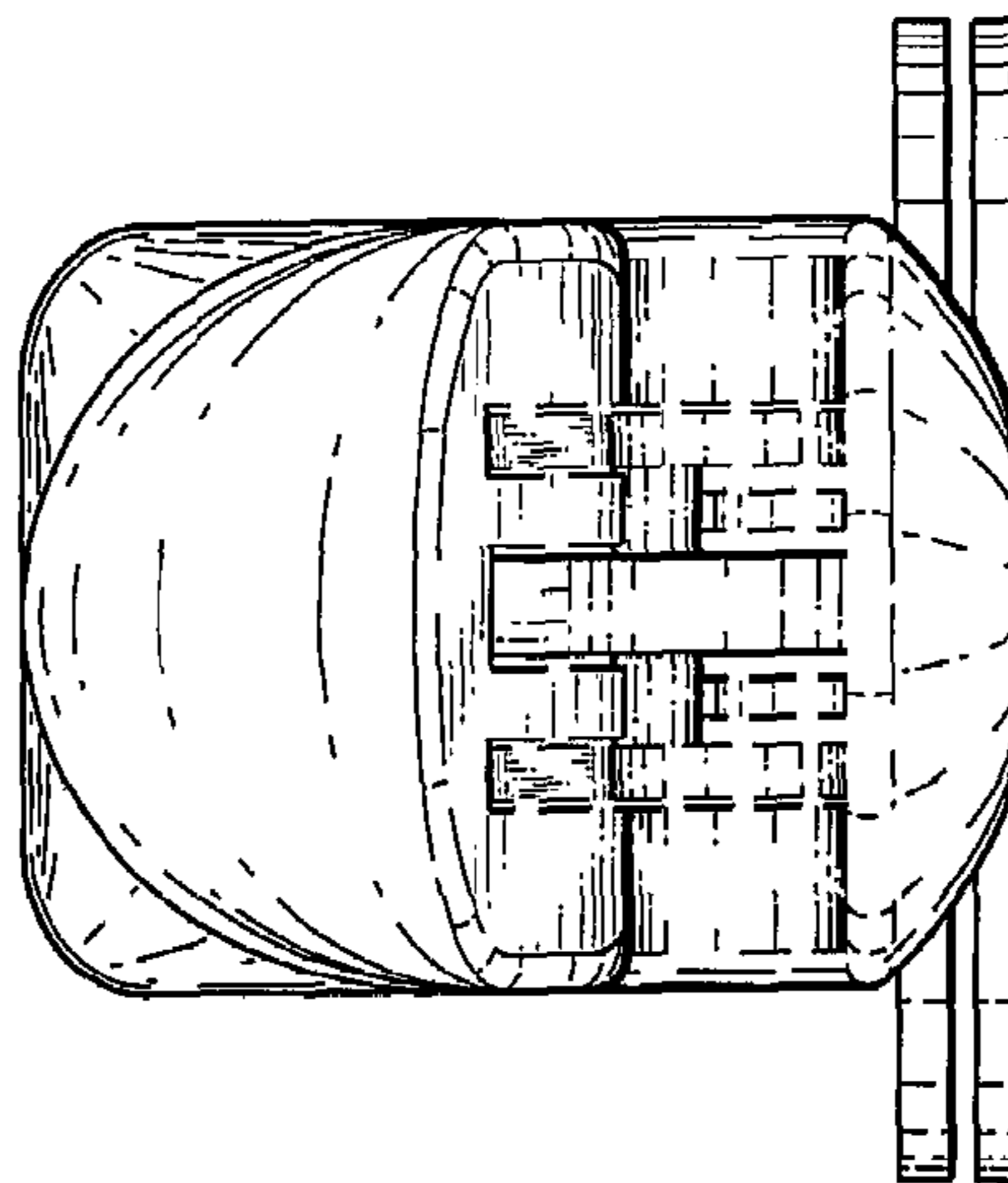
**Fig. 2**  
*(Prior Art)*



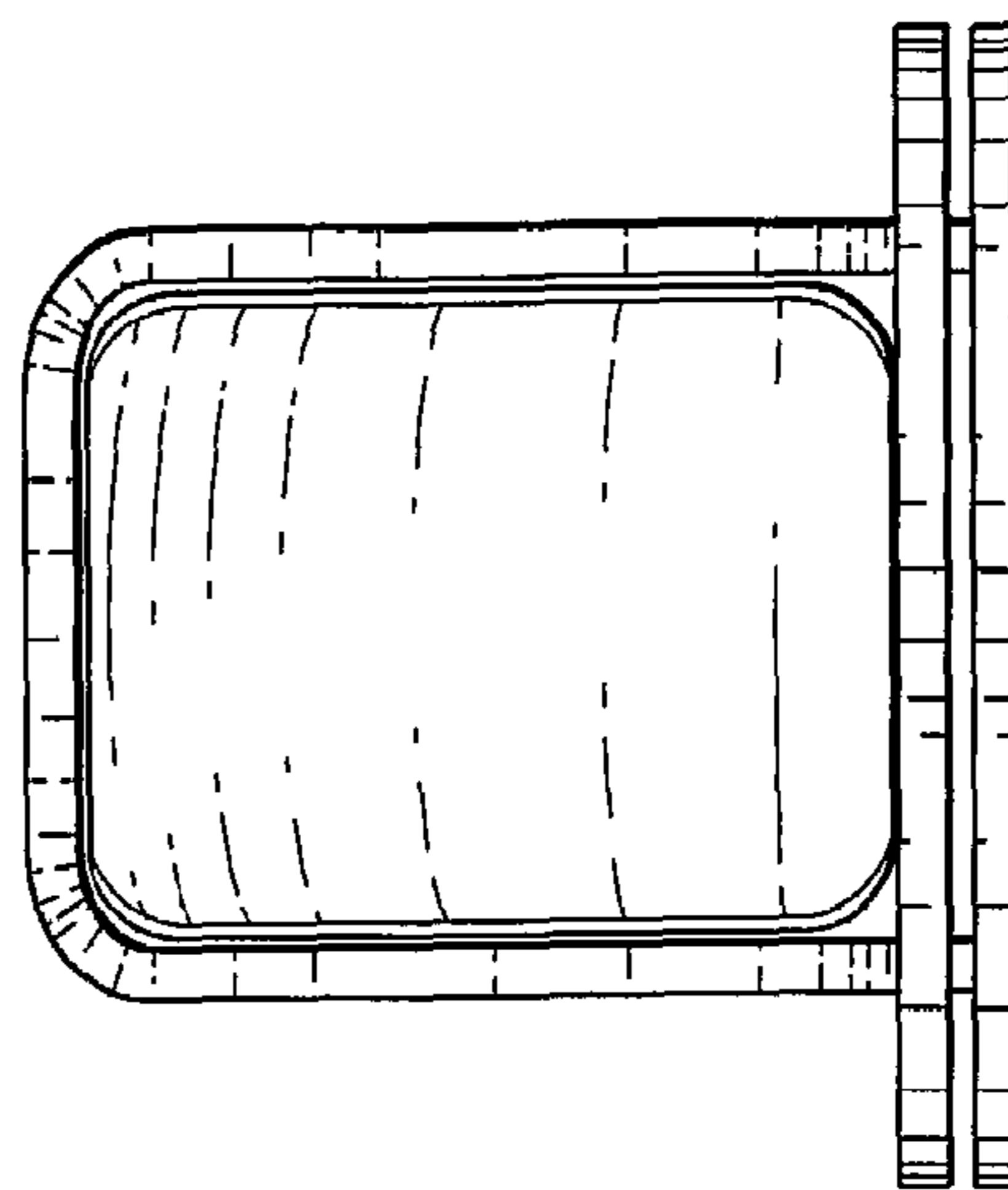
**Fig. 3**



**Fig. 4**



**Fig. 5**



**Fig. 6**

Fig. 7

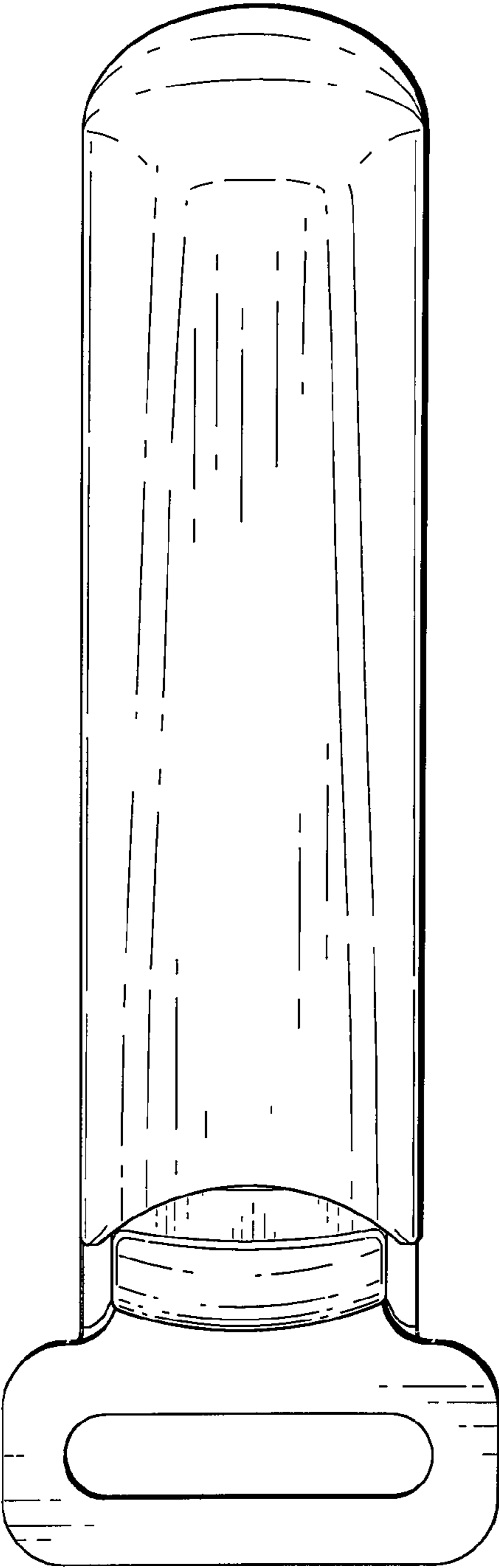


Fig. 8

