



US00D610030S

(12) **United States Design Patent**
Marmier et al.

(10) **Patent No.:** **US D610,030 S**

(45) **Date of Patent:** **** Feb. 16, 2010**

(54) **LOAD CELL FOR A SCALE**

(75) Inventors: **Yves Marmier**, La Chaux-de-Fonds (CH); **Peter Schilling**, Siebnen (CH); **Andreas Metzger**, Männedorf (CH); **Stephan Baltisberger**, Gossau (CH); **Hans-Rudolf Burkhard**, Wila (CH)

(73) Assignee: **Mettler-Toledo AG**, Greifensee (CH)

(**) Term: **14 Years**

(21) Appl. No.: **29/337,787**

(22) Filed: **May 29, 2009**

(30) **Foreign Application Priority Data**

Dec. 16, 2008 (EM) 001058002

(51) **LOC (9) Cl.** **10-04**

(52) **U.S. Cl.** **D10/94**

(58) **Field of Classification Search** D10/88-94;
177/210 R, 210 C, 210 GM, 210 PP, 236,
177/245, DIG. 3, 25.12-25.18, 177, 126,
177/1, 181, 25, 30, 127, 131, 148, 225, 21 EM,
177/21 FP, 212-214, 211; 600/506, 547
See application file for complete search history.

(56) **References Cited**

U.S. PATENT DOCUMENTS

4,838,372 A * 6/1989 Krause 177/211
D531,533 S * 11/2006 Wagner et al. D10/89

7,188,535 B1 * 3/2007 Spletzer 73/862.041
D541,187 S * 4/2007 Wagner et al. D10/89
7,319,198 B2 * 1/2008 Kuchel et al. 177/211
7,429,705 B2 9/2008 Genoud et al.
D588,034 S * 3/2009 Marmier D10/94

* cited by examiner

Primary Examiner—Antoine D Davis

(74) *Attorney, Agent, or Firm*—Standley Law Group LLP

(57) **CLAIM**

The ornamental design for a load cell for a scale, as shown and described.

DESCRIPTION

FIG. 1 is a perspective view of an embodiment of the load cell for a scale;

FIG. 2 is a front elevation view of the FIG. 1 embodiment;

FIG. 3 is a rear elevation view of the FIG. 1 embodiment

FIG. 4 is a left-side elevation view of the FIG. 1 embodiment;

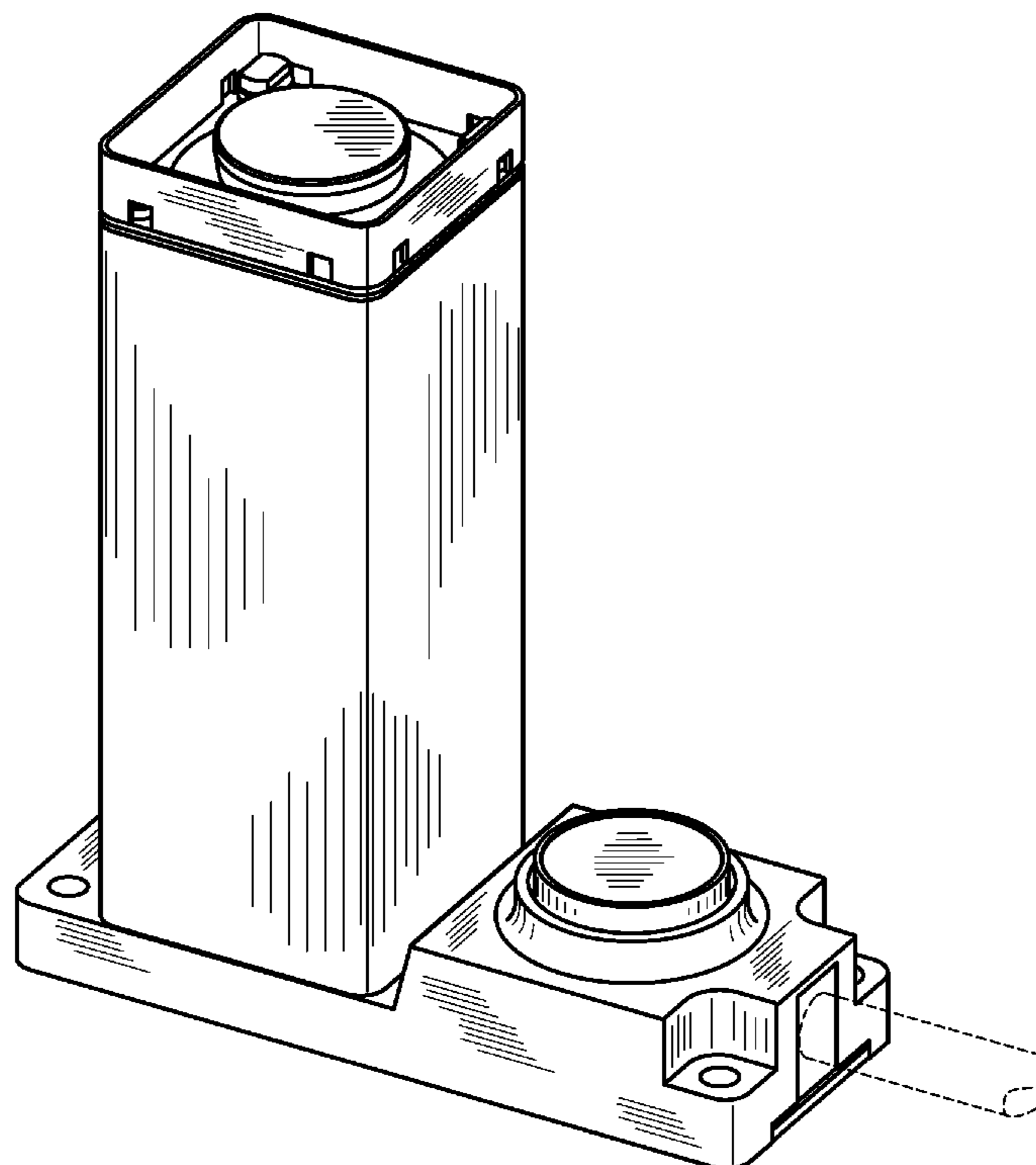
FIG. 5 is a right-side elevation view of the FIG. 1 embodiment;

FIG. 6 is a top plan view of the FIG. 1 embodiment; and,

FIG. 7 is a bottom plan view of the FIG. 1 embodiment.

The broken line depiction of a cable in FIGS. 1, 2 and 4-7 is included for the purpose of environment and forms no part of the claimed design.

1 Claim, 7 Drawing Sheets



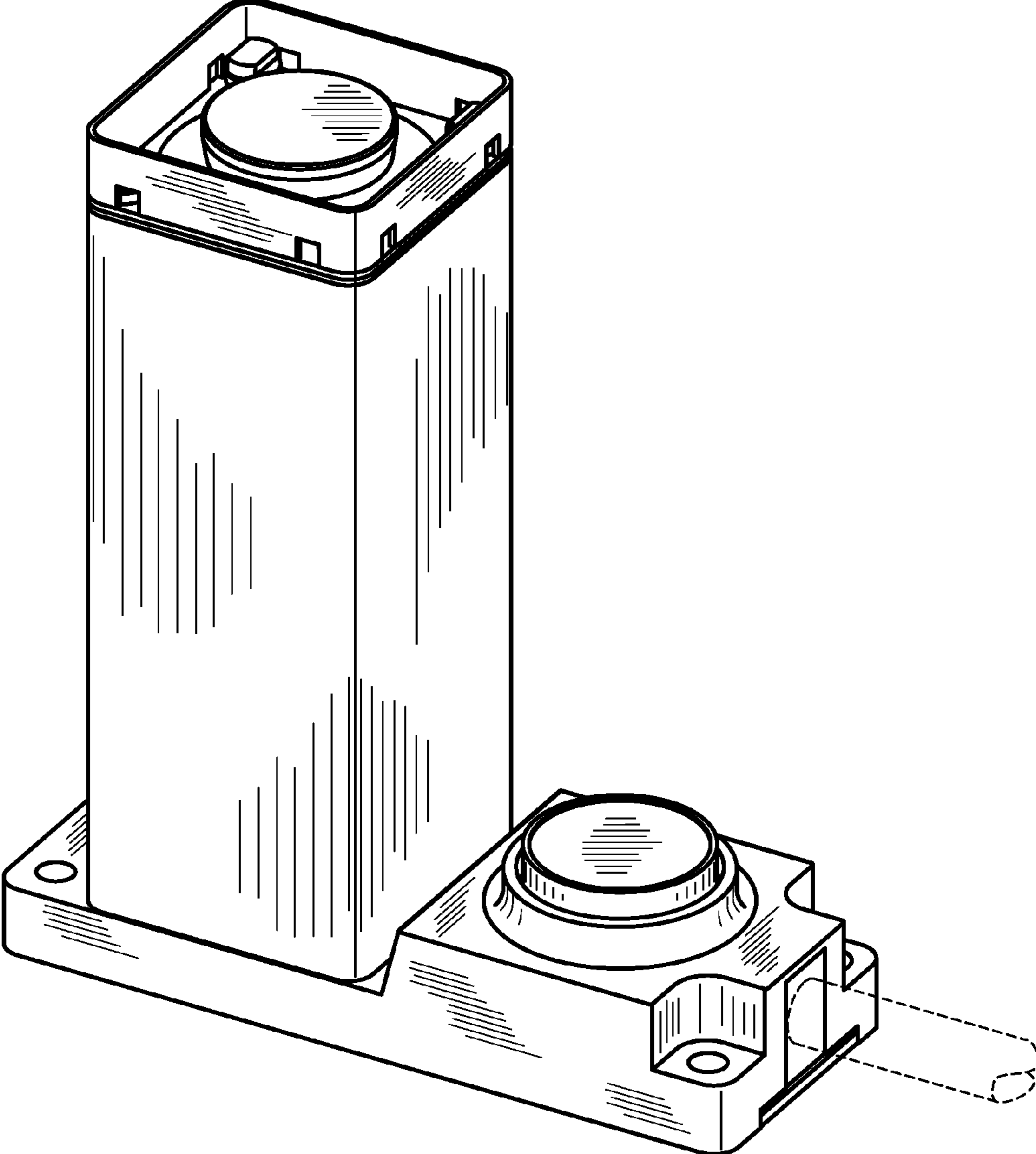


Fig. 1

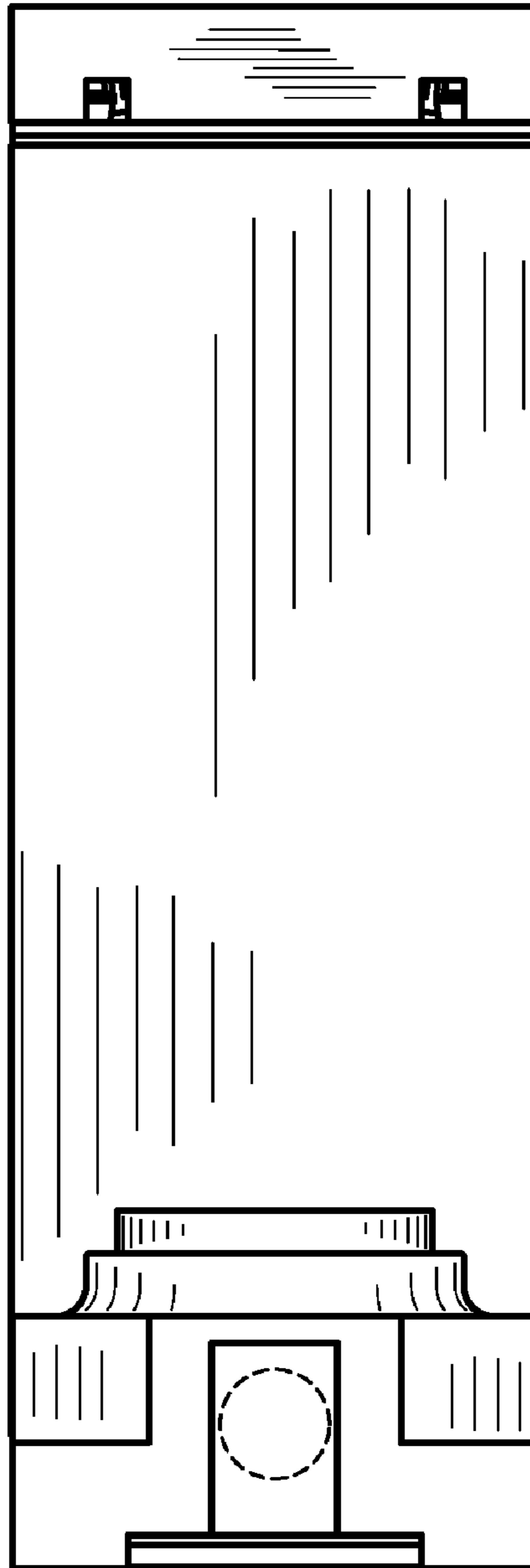


Fig. 2

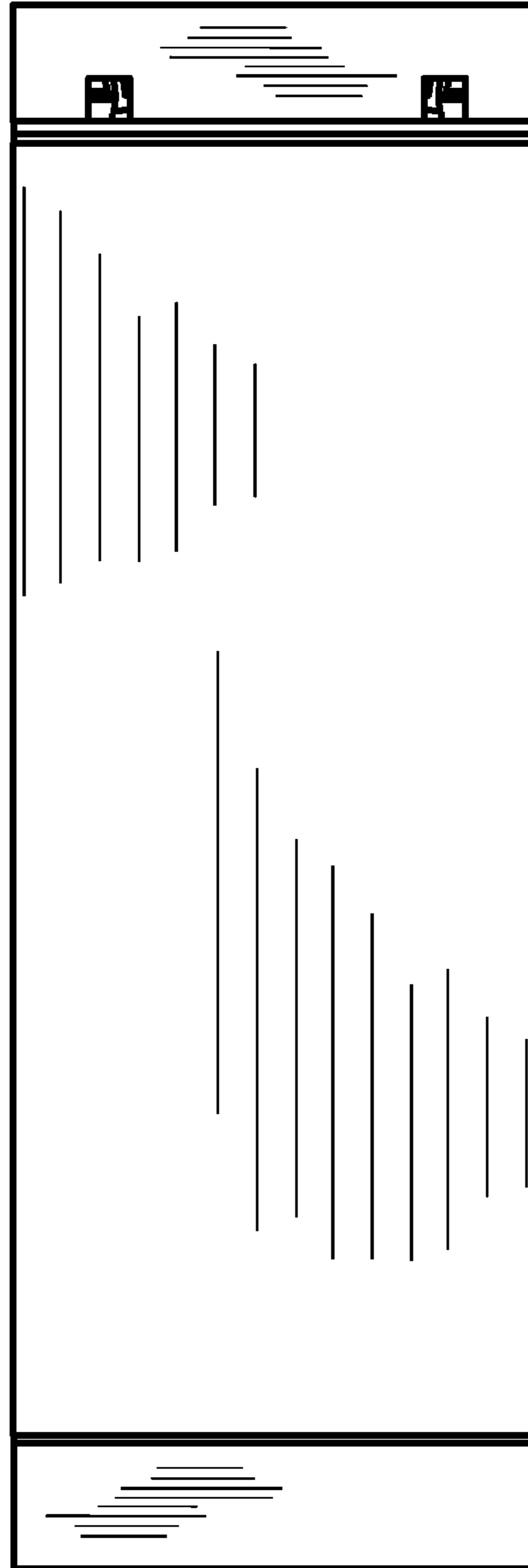


Fig. 3

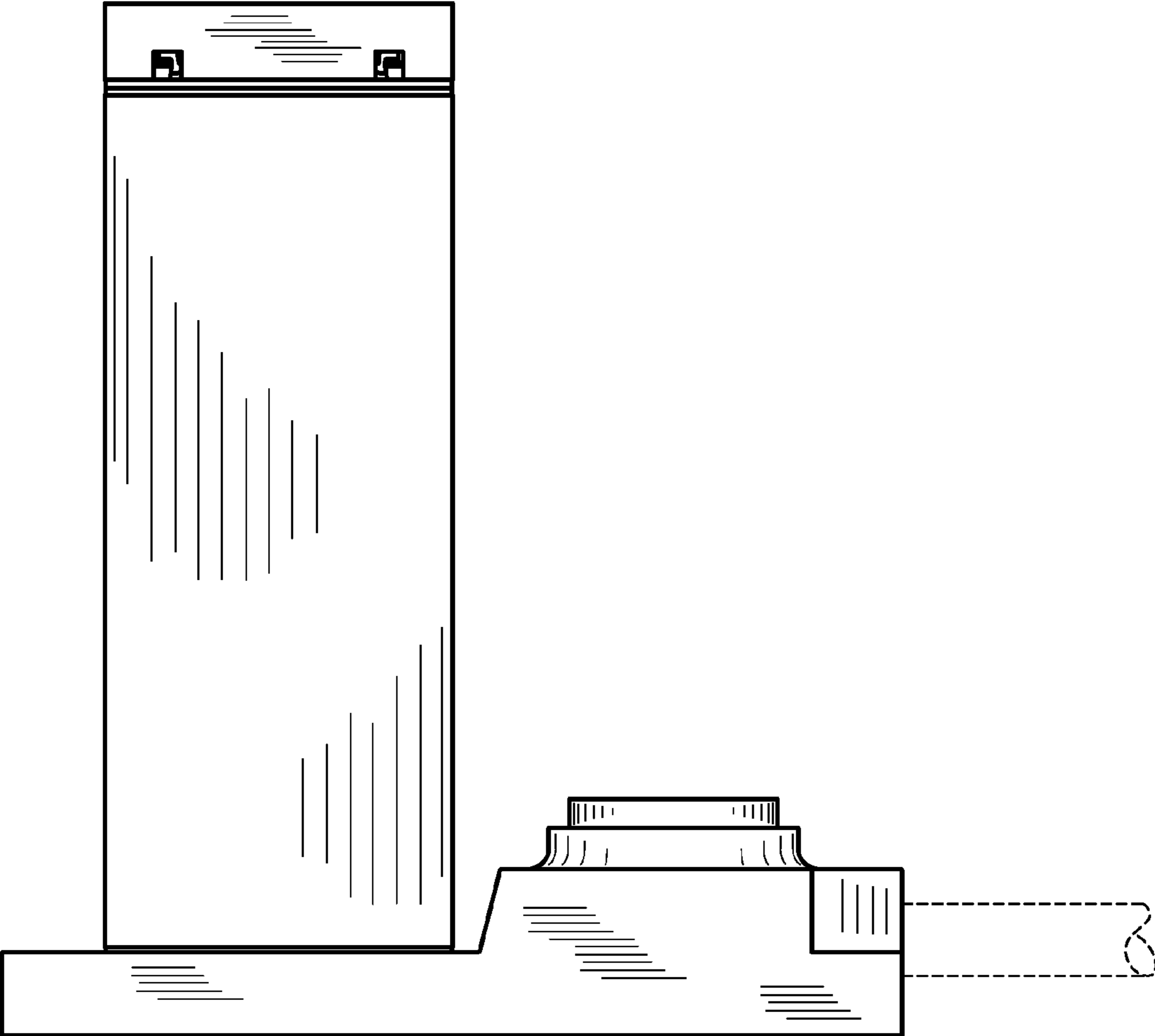


Fig. 4

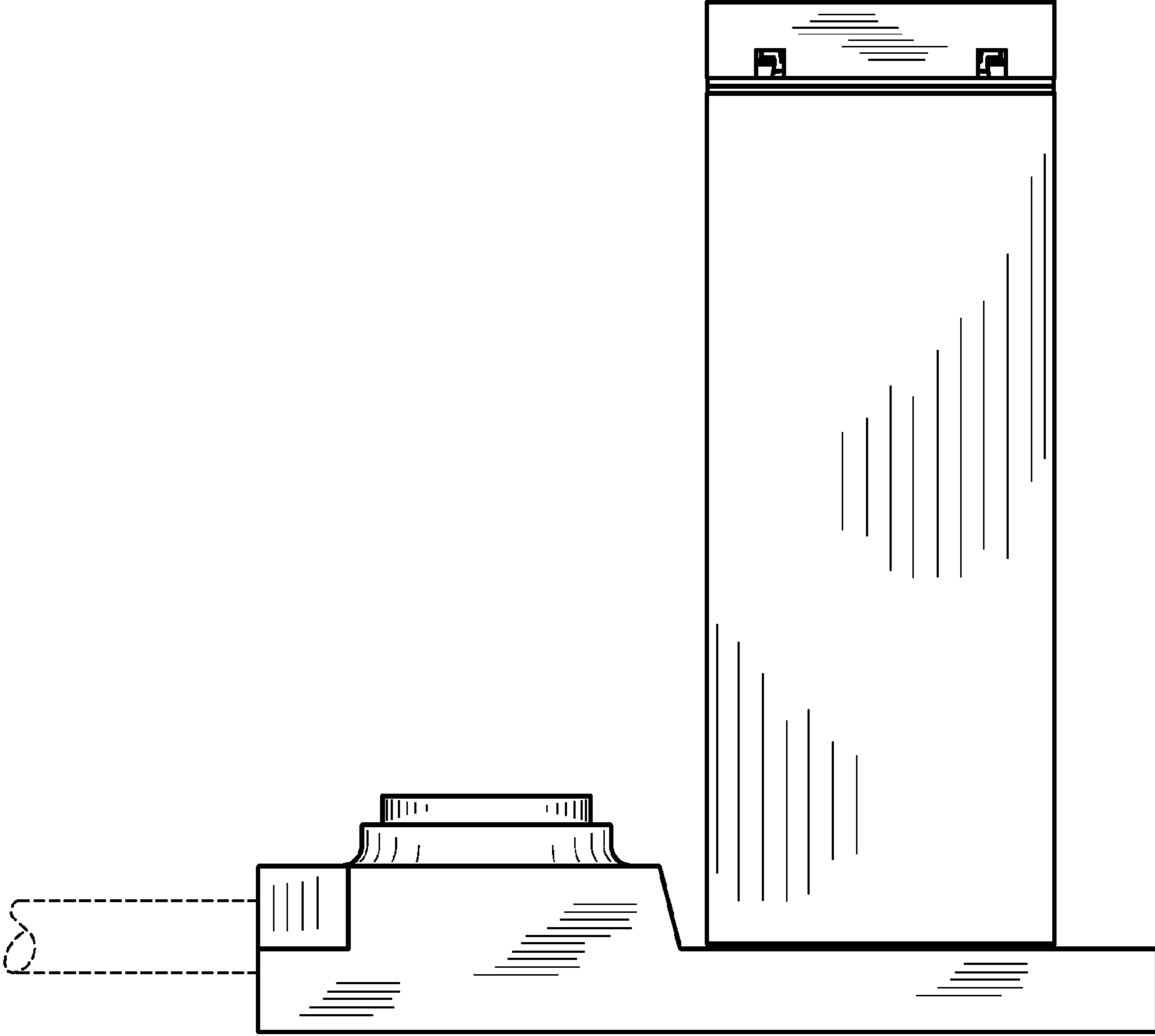


Fig. 5

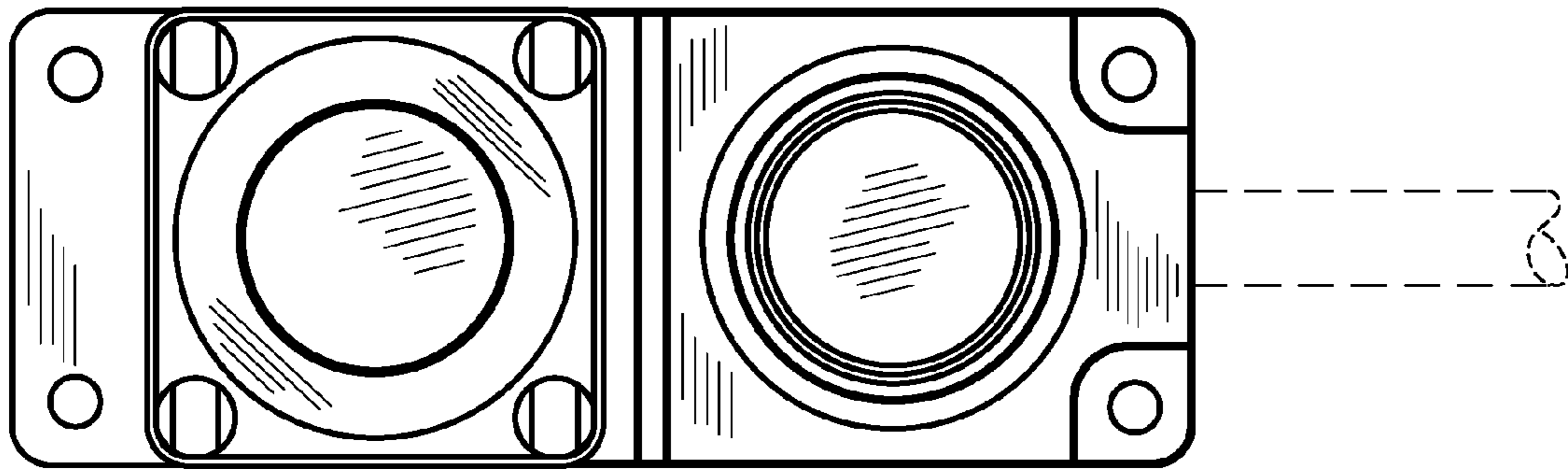


Fig. 6

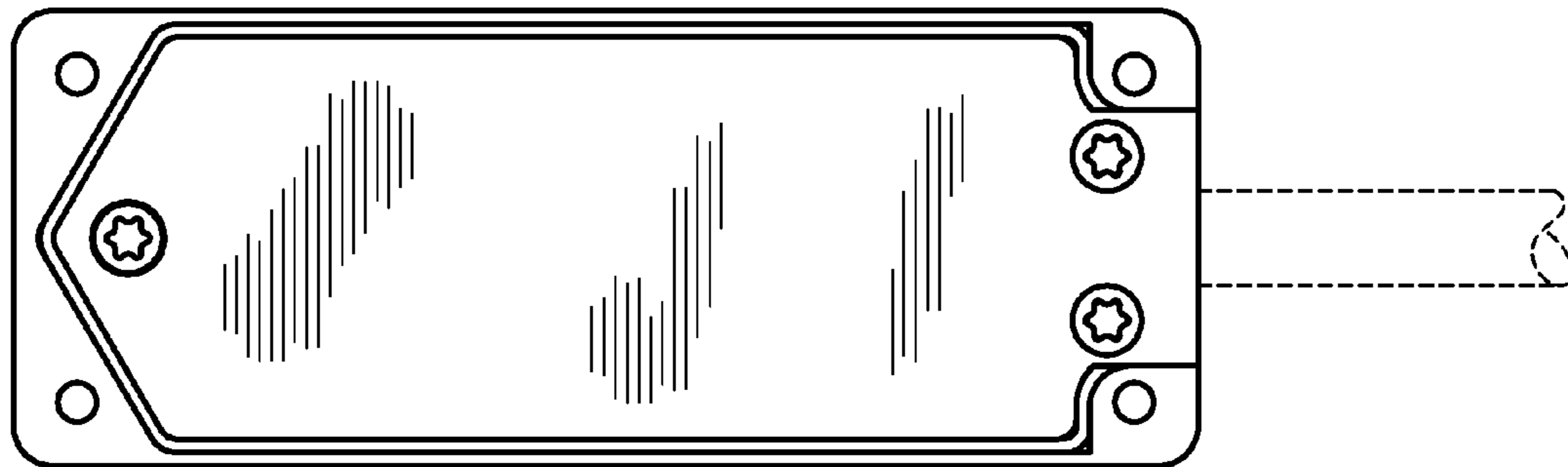


Fig. 7