



US00D610025S

(12) **United States Design Patent**
Jarvis

(10) **Patent No.:** **US D610,025 S**

(45) **Date of Patent:** **** *Feb. 16, 2010**

(54) **WATCH CASING**

(75) **Inventor:** **Steve Jarvis**, Portland, OR (US)

(73) **Assignee:** **Timex Group B.V.**, Amsterdam (NL)

(**) **Term:** **14 Years**

(21) **Appl. No.:** **29/328,609**

(22) **Filed:** **Nov. 26, 2008**

(51) **LOC (9) Cl.** **10-02**

(52) **U.S. Cl.** **D10/38**

(58) **Field of Classification Search** D10/30-39;
368/276, 281, 282, 285, 223

See application file for complete search history.

(56) **References Cited**

U.S. PATENT DOCUMENTS

D278,315 S *	4/1985	Houlihan	D10/30
D287,471 S *	12/1986	Sato et al.	D10/38
D293,892 S *	1/1988	Ichikawa	D10/38
D298,218 S *	10/1988	Brown	D10/38
D303,768 S *	10/1989	Wakamatsu	D10/38
D303,769 S *	10/1989	Ando	D10/38
D304,305 S *	10/1989	Morishima	D10/38
D320,567 S *	10/1991	Wakamatsu	D10/38
D355,379 S *	2/1995	Hanagata	D10/38
D358,997 S *	6/1995	Yamamoto	D10/31
D358,998 S *	6/1995	Sugita	D10/31
D390,789 S *	2/1998	Sugita et al.	D10/30
D391,860 S *	3/1998	Kubo	D10/30
D391,862 S *	3/1998	Sugisawa et al.	D10/30

D396,416 S *	7/1998	Sugita et al.	D10/30
D525,881 S *	8/2006	Shiraishi et al.	D10/38
D528,440 S *	9/2006	Lovegrove	D10/38
D548,624 S *	8/2007	Yamamoto et al.	D10/38

OTHER PUBLICATIONS

2004 Nissan Xterra; www.edmunds.com;
2005 Land Rover LR3; www.edmunds.com.

* cited by examiner

Primary Examiner—Lucy Lieberman

(74) *Attorney, Agent, or Firm*—Carmody & Torrance LLP

(57) **CLAIM**

The ornamental design for a watch casing, as shown and described.

DESCRIPTION

FIG. 1 is a perspective view of a watch casing showing my new design;

FIG. 2 is a right side elevational view thereof;

FIG. 3 is a left elevational view thereof;

FIG. 4 is a first end elevational view thereof;

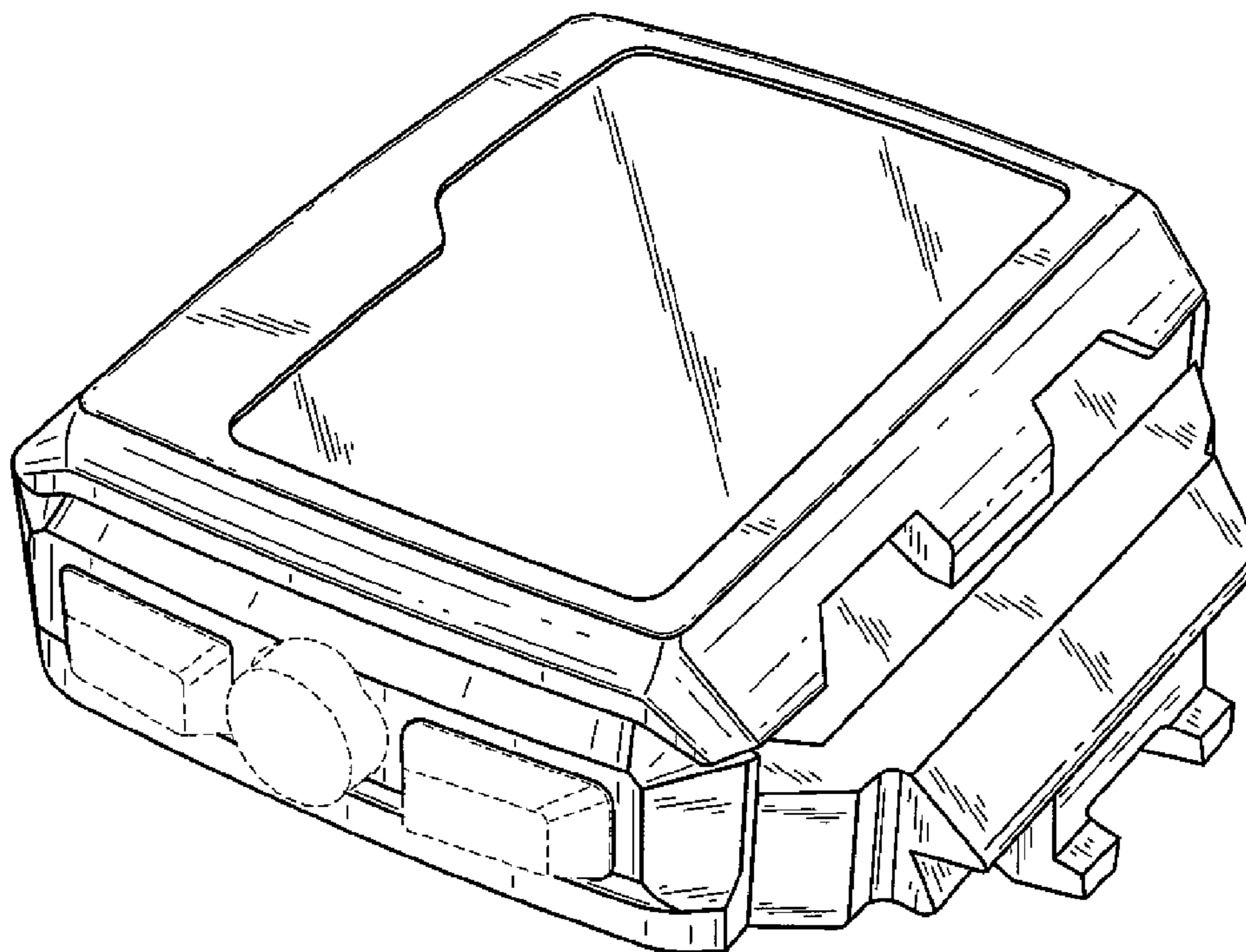
FIG. 5 is a second end elevational view thereof;

FIG. 6 is a top plan view thereof; and,

FIG. 7 is a bottom plan view thereof.

The dotted lines are intended to show features that are environmental only and form no part of the claimed design.

1 Claim, 4 Drawing Sheets



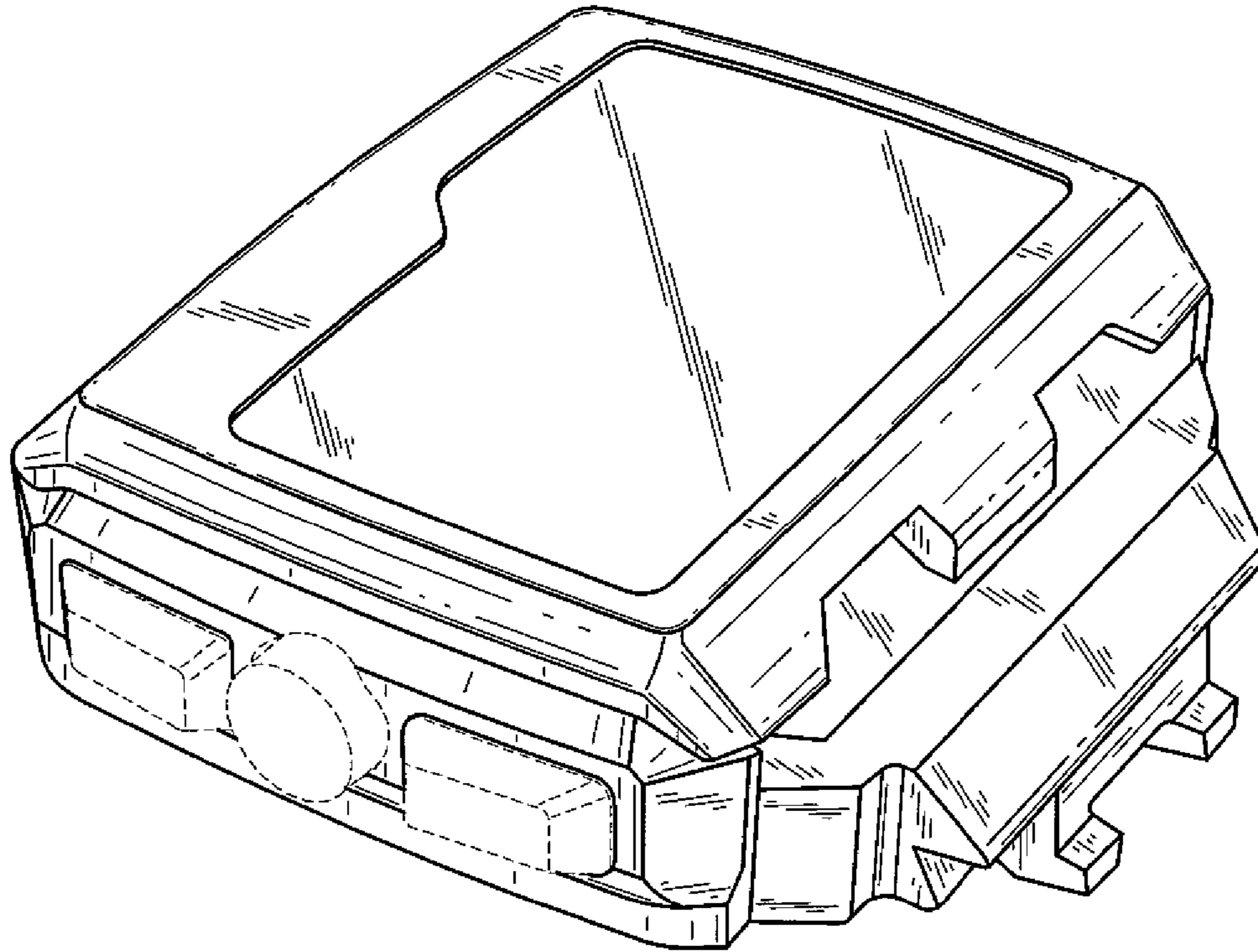


FIG. 1

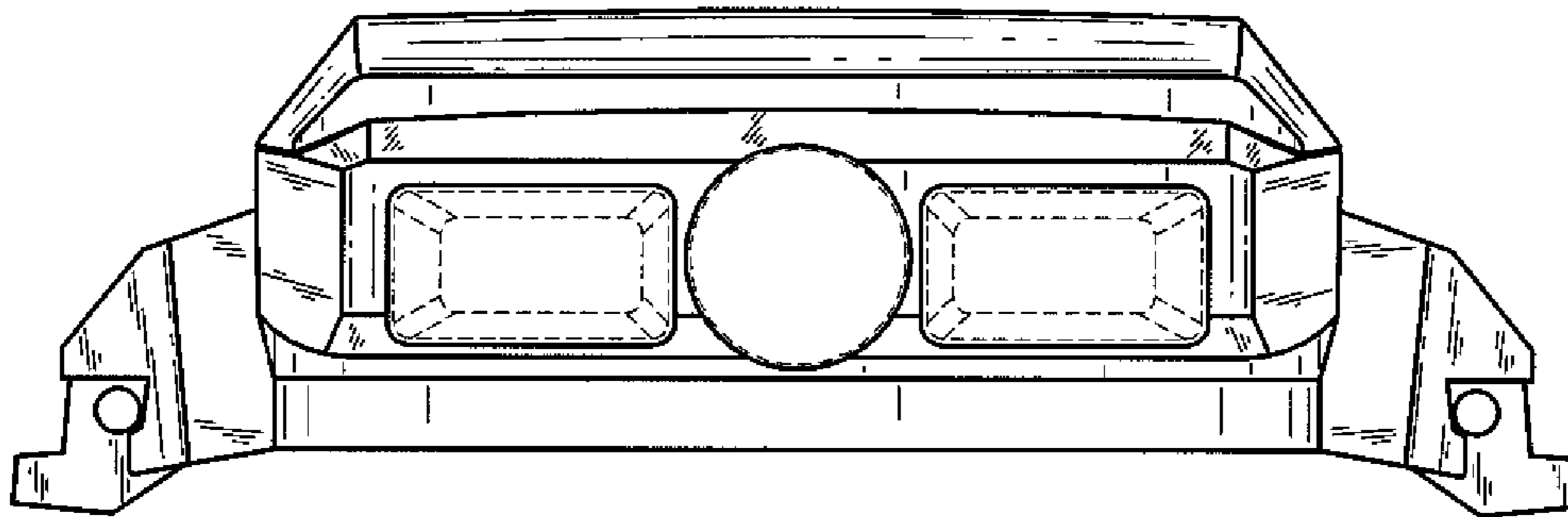


FIG. 2

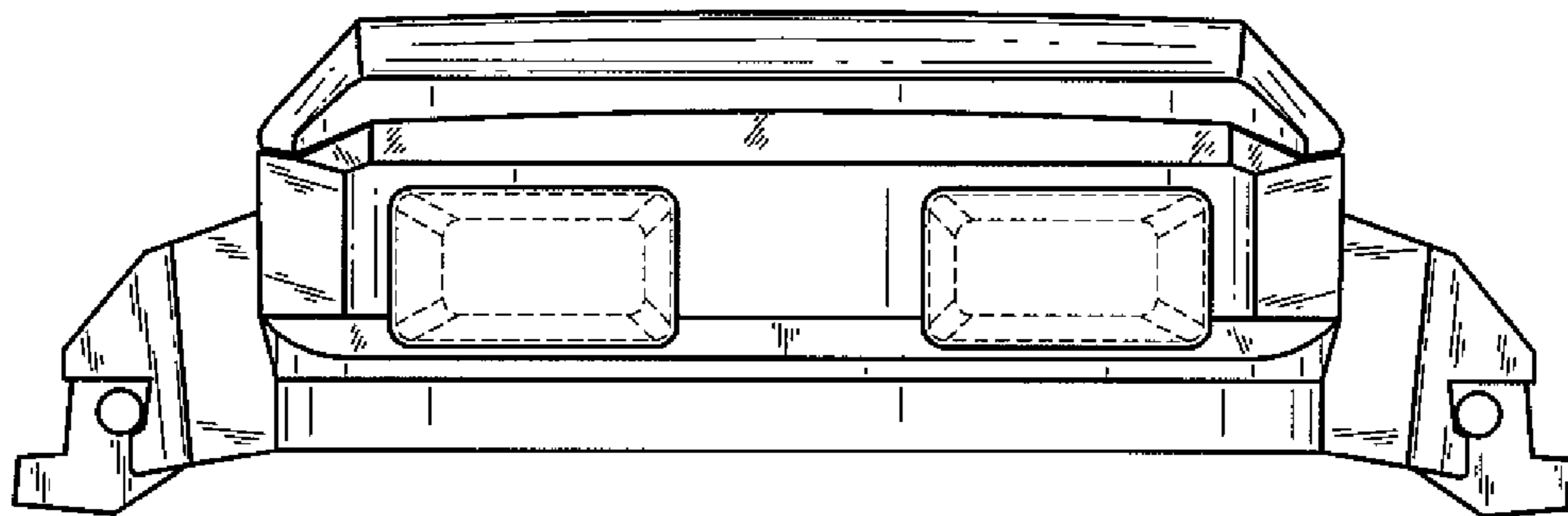


FIG. 3

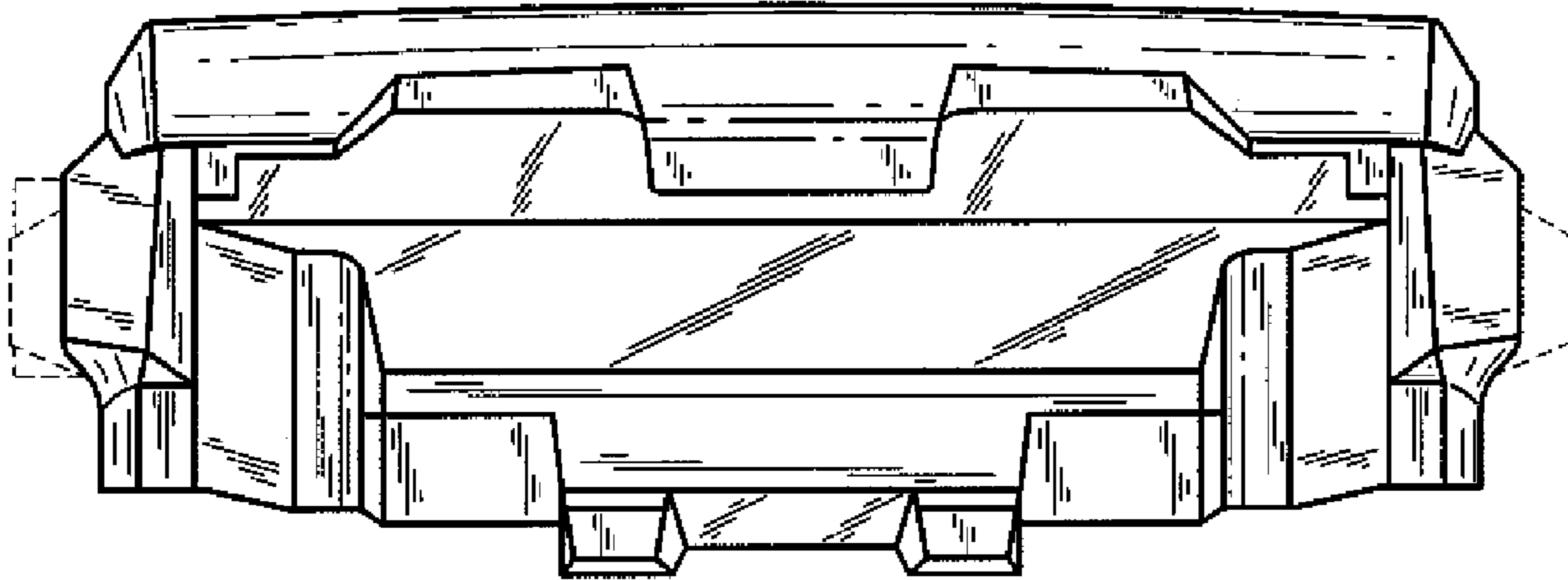


FIG. 4

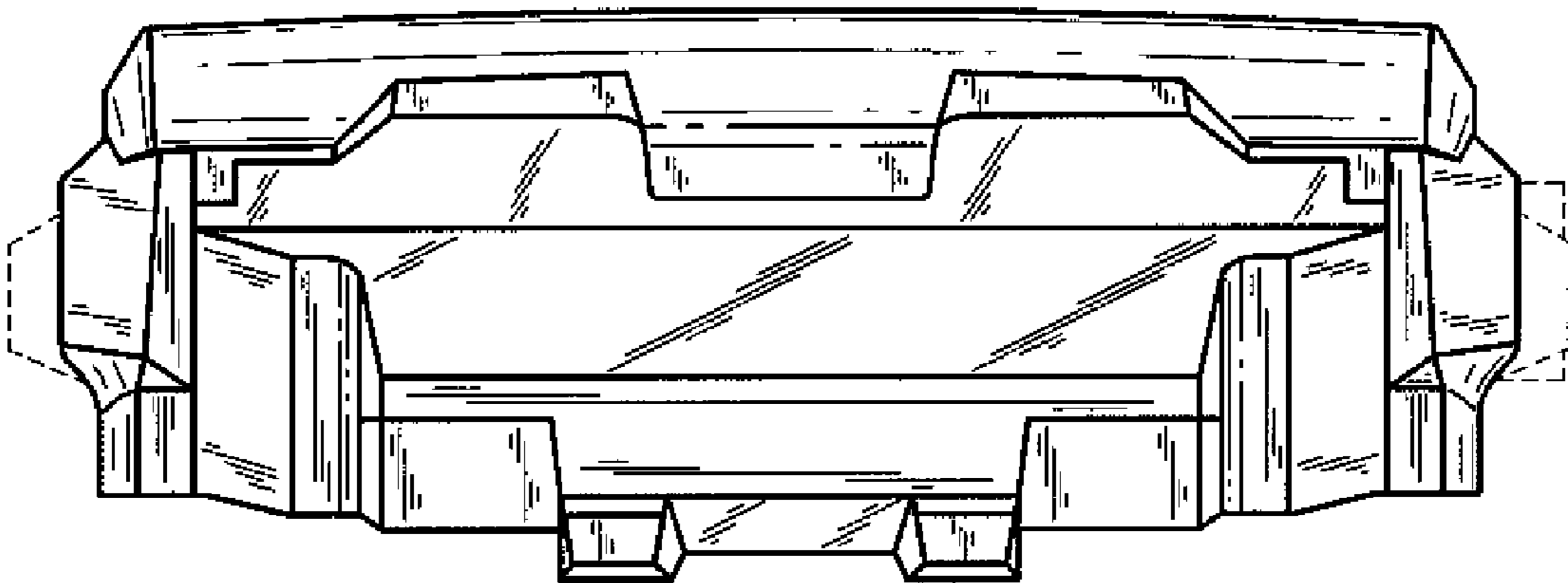


FIG. 5

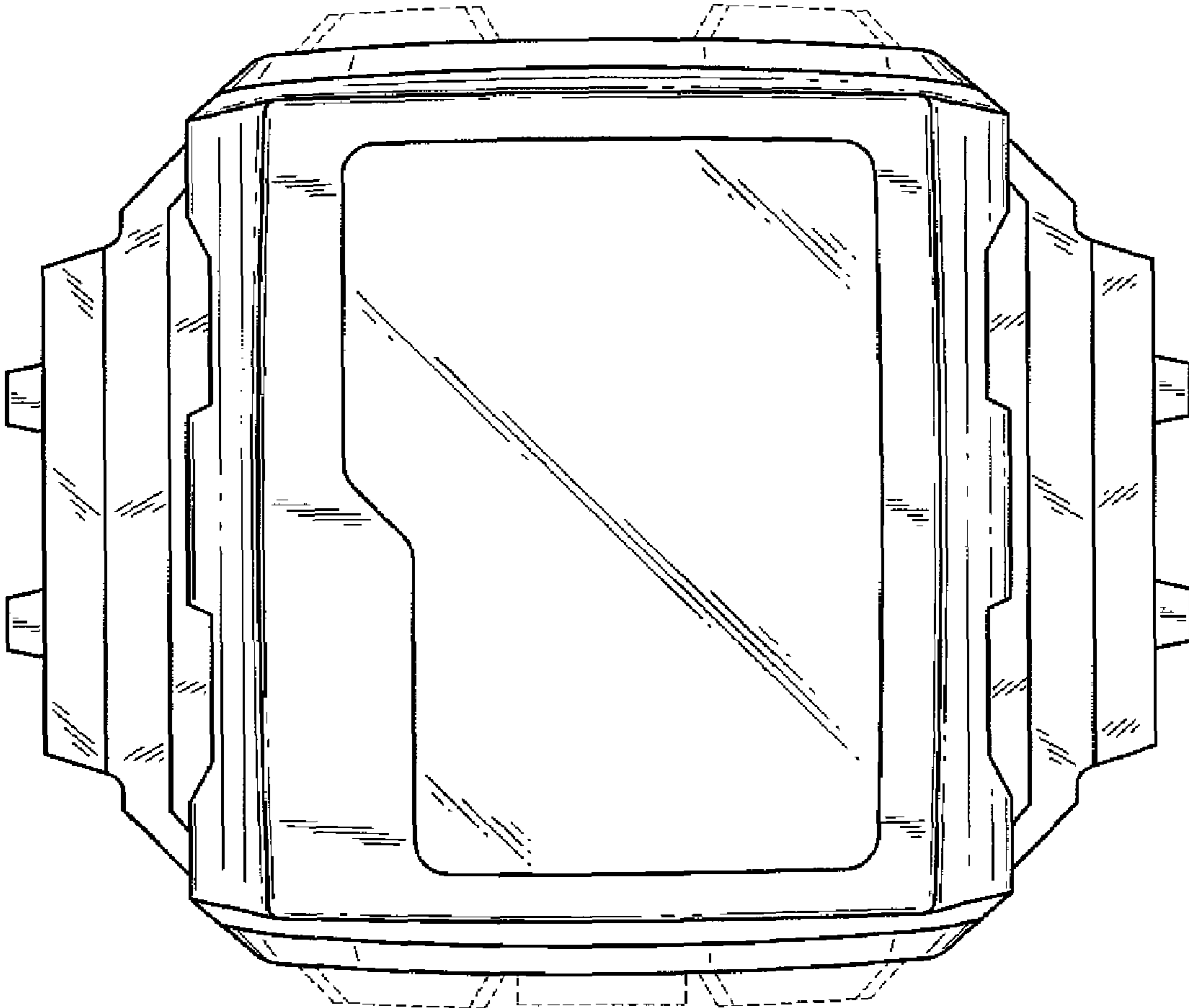


FIG. 6

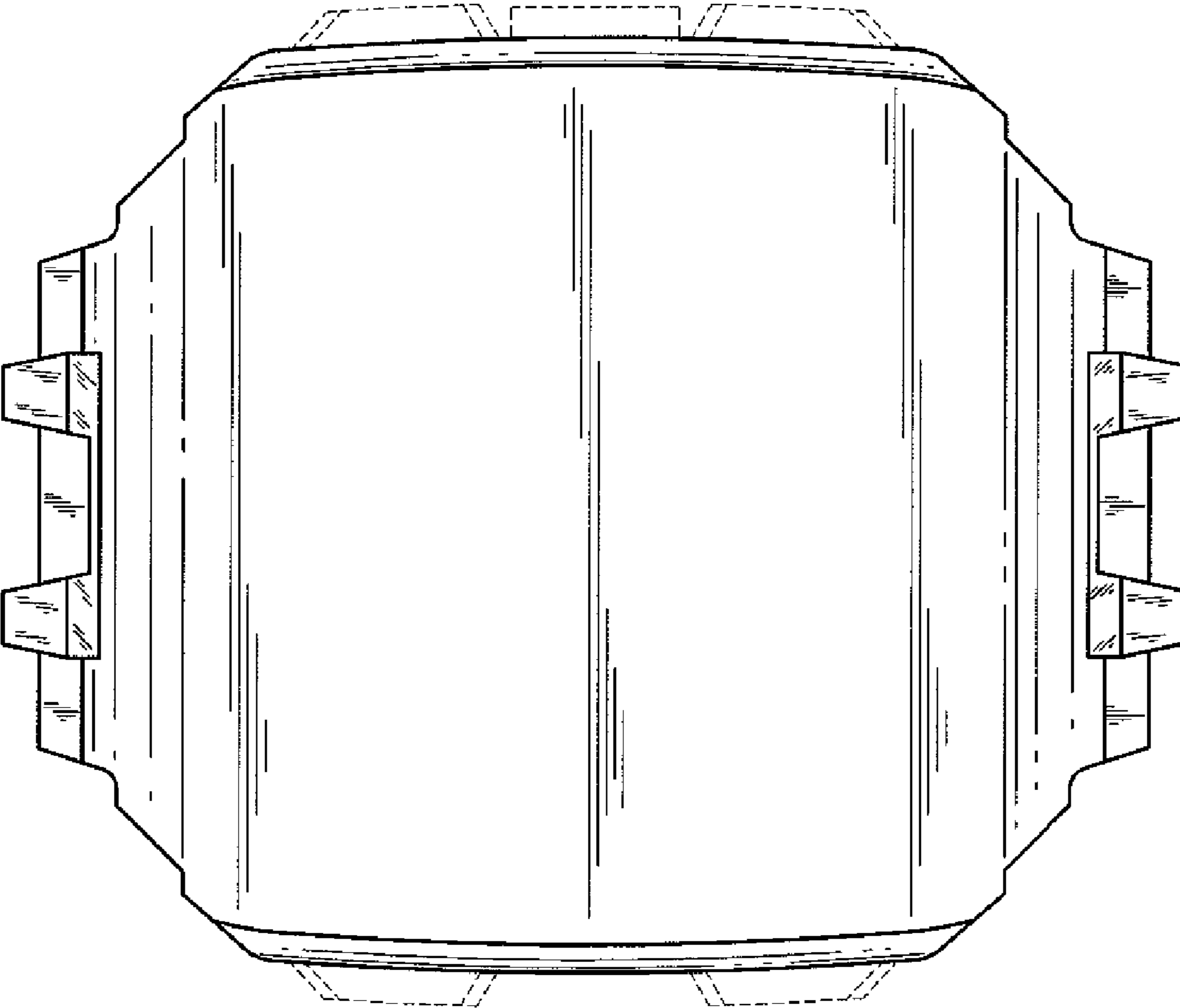


FIG. 7