



US00D610021S

(12) **United States Design Patent**
Kinoshita et al.

(10) **Patent No.:** **US D610,021 S**
(45) **Date of Patent:** **** Feb. 16, 2010**

(54) **CONTAINER FOR PERSONAL CARE PRODUCTS**

(75) Inventors: **Yasutaka Kinoshita**, Tochigi (JP);
Benjamin Phalan Oates, Kent (GB);
Dai Okajima, Tochigi (JP)

(73) Assignee: **Conopco Inc.**, Englewood Cliffs, NJ
(US)

(**) Term: **14 Years**

(21) Appl. No.: **29/333,201**

(22) Filed: **Mar. 4, 2009**

(30) **Foreign Application Priority Data**

Sep. 5, 2008 (GB) 4008810

(51) **LOC (9) Cl.** **09-01**

(52) **U.S. Cl.** **D9/686; D9/689**

(58) **Field of Classification Search** D9/682-694,
D9/516-575, 434-436, 447-450; 215/382;
220/377, 669, 675; 222/631, 635, 206, 211,
222/212, 213, 215, 321.7-321.9, 372, 373,
222/378, 379, 383.1, 384-386, 398, 400.7,
222/400.8, 401, 402.1-402.25

See application file for complete search history.

(56) **References Cited**

U.S. PATENT DOCUMENTS

- 3,949,906 A * 4/1976 Pettersen et al. 222/153.13
- D246,893 S * 1/1978 Eron D9/689
- 5,950,880 A * 9/1999 Garcia 222/321.7
- D422,902 S * 4/2000 Kikuchi D9/689
- D437,212 S * 2/2001 Adachi et al. D9/686
- D438,785 S * 3/2001 Baron D9/689
- D493,364 S * 7/2004 Papiernik D9/687
- D521,386 S * 5/2006 Priestman D9/529

- D526,211 S * 8/2006 Blasko et al. D9/693
- D528,920 S * 9/2006 Priestman D9/529
- D554,517 S * 11/2007 Breitlander D9/558
- D563,793 S * 3/2008 Nomoto D9/542
- D585,761 S * 2/2009 Oates D9/686

FOREIGN PATENT DOCUMENTS

- EM 000308291-0001 * 5/2005
- EM 000441191-0001 * 1/2006
- EM 000700562-0001 * 4/2007
- WO DM/061374 * 8/2002
- WO DM/053562 * 7/2005

* cited by examiner

Primary Examiner—Catherine Tuttle

(74) *Attorney, Agent, or Firm*—Karen E. Klumas

(57) **CLAIM**

The ornamental design for a container for personal care products, as shown and described.

DESCRIPTION

FIG. 1 is front perspective view from above and one side showing our new design for a container for personal care products;

FIG. 2 is a front elevational view thereof;

FIG. 3 is a rear elevational view thereof;

FIG. 4 is a side elevational view thereof;

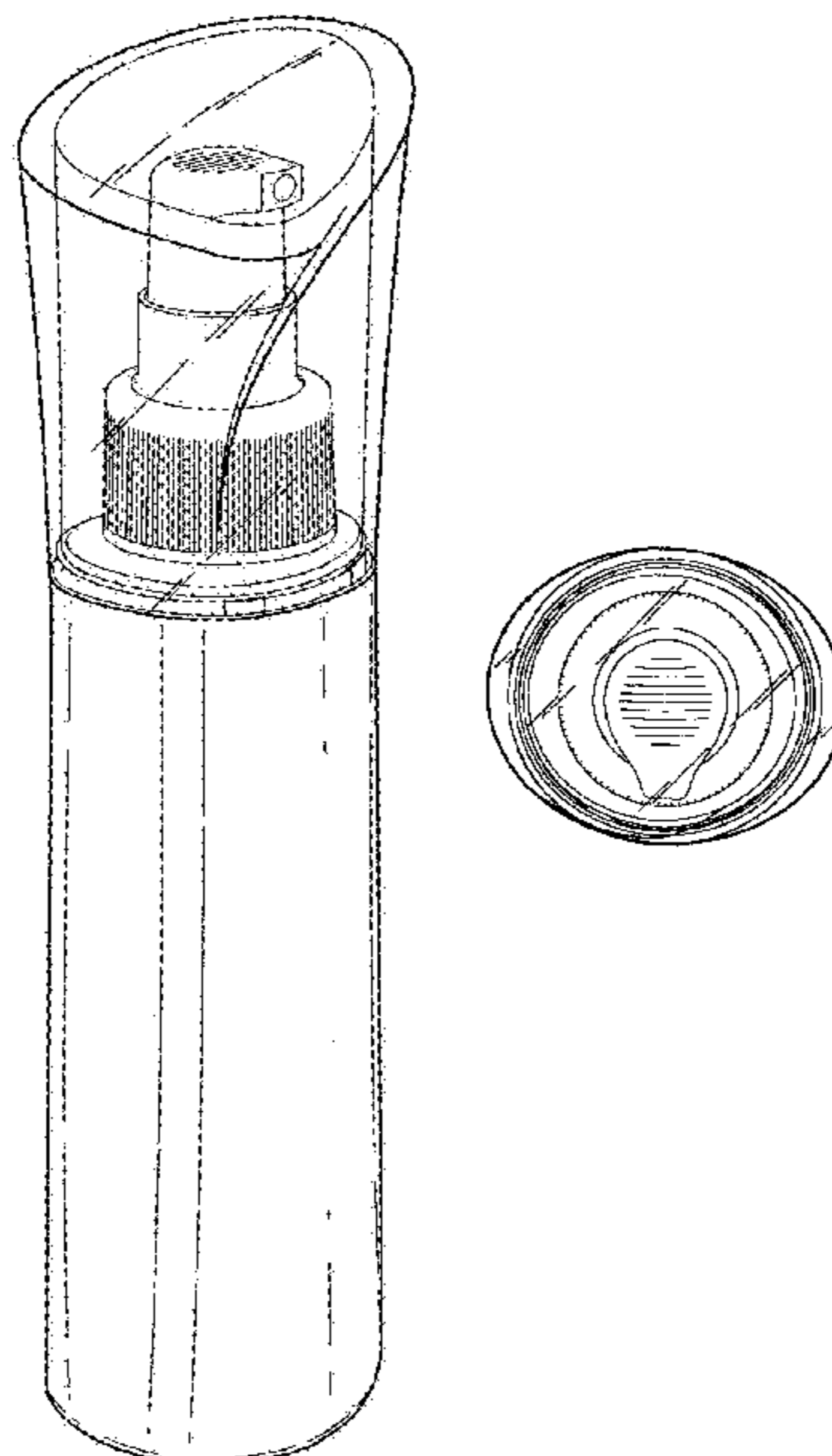
FIG. 5 is a side elevational view of the other side thereof;

FIG. 6 is top plan view thereof; and,

FIG. 7 is an underneath plan view thereof.

The portions of the bottom surface, including the central broken line in FIG. 7, that are not visible in FIGS. 1-5 form no part of the claimed design.

1 Claim, 4 Drawing Sheets



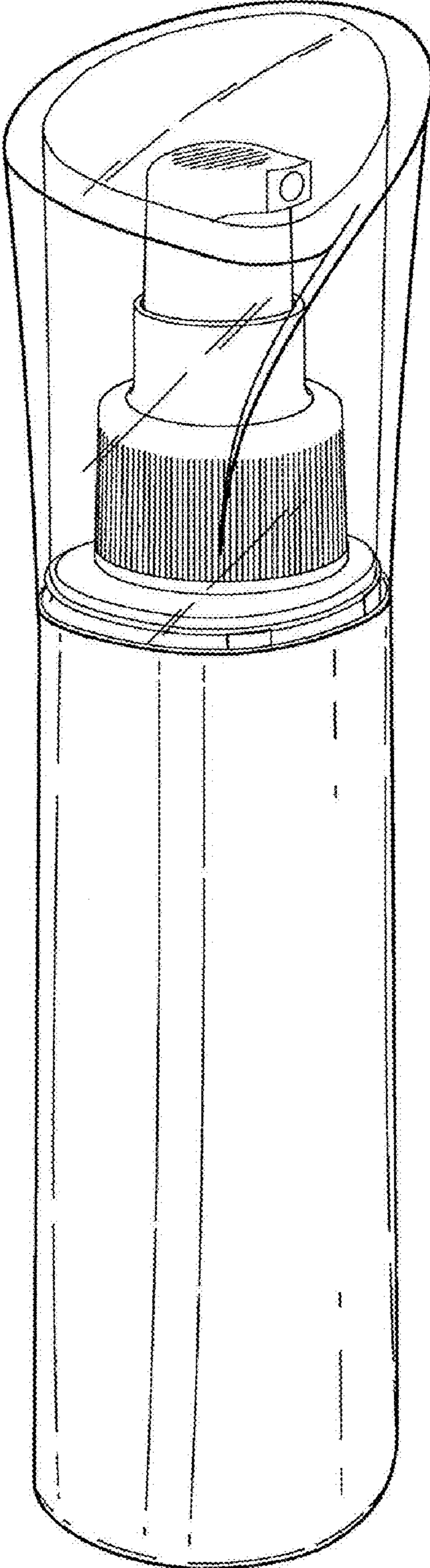


Fig. 1.

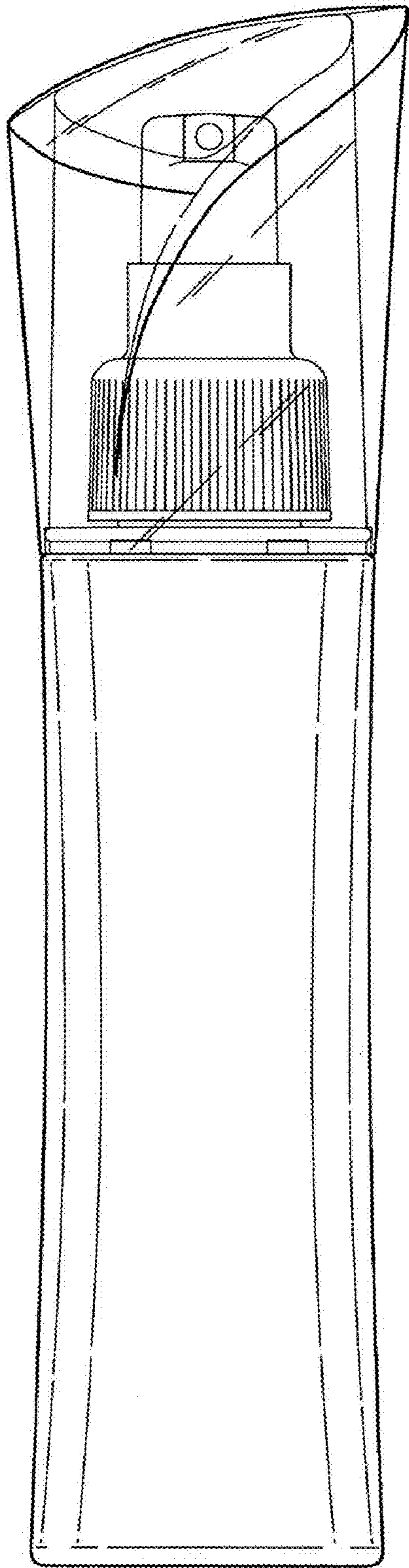


Fig. 2.

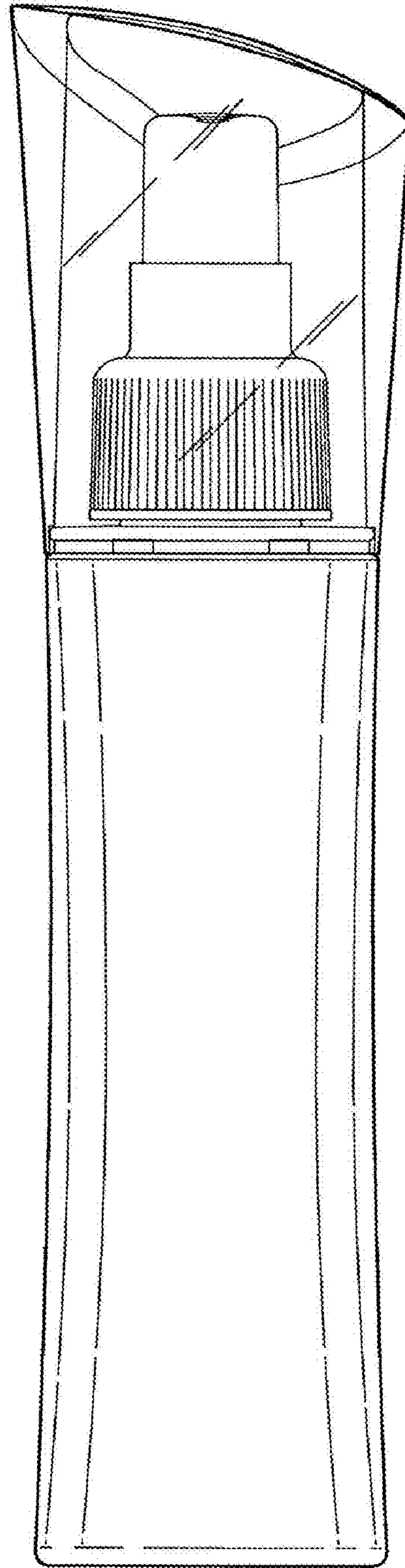


Fig. 3.

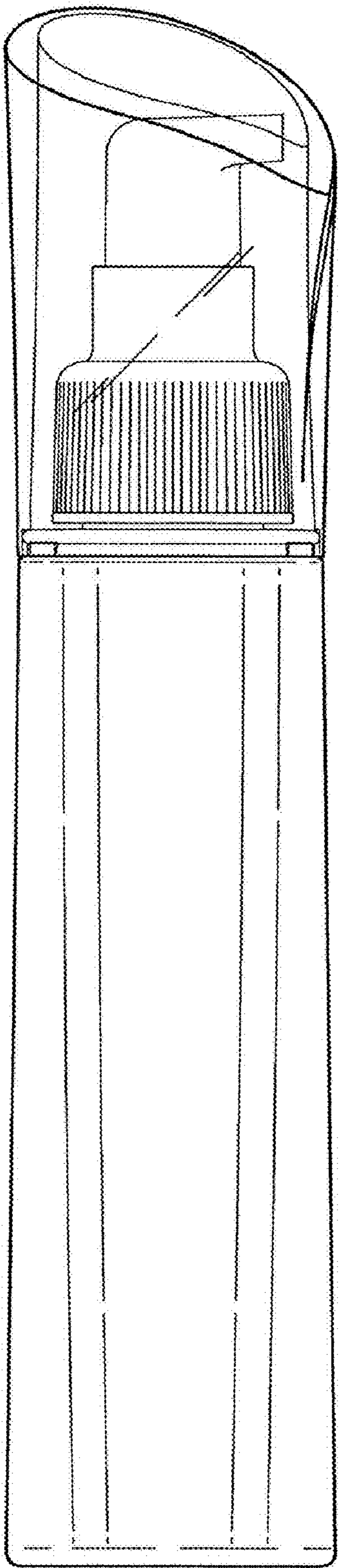


Fig.4.

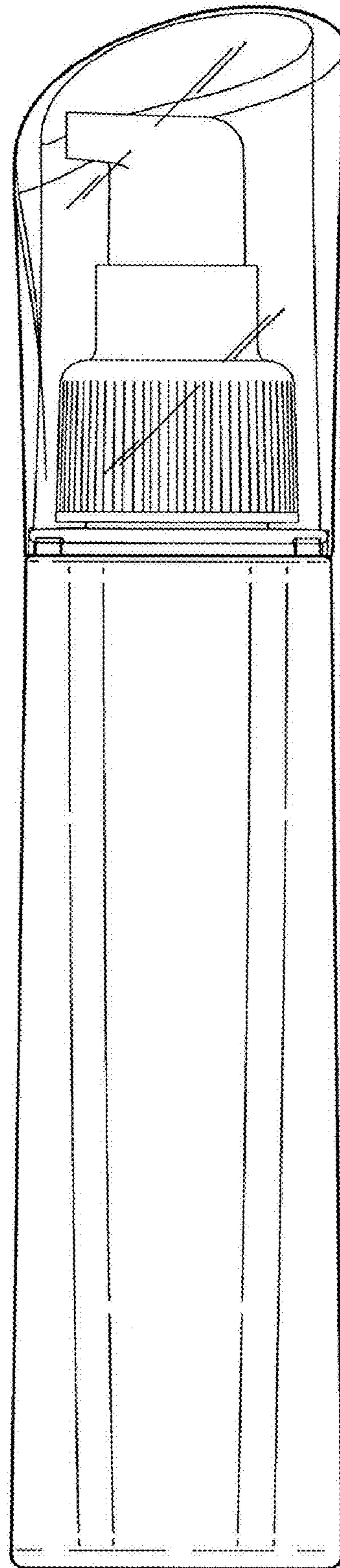


Fig.5.

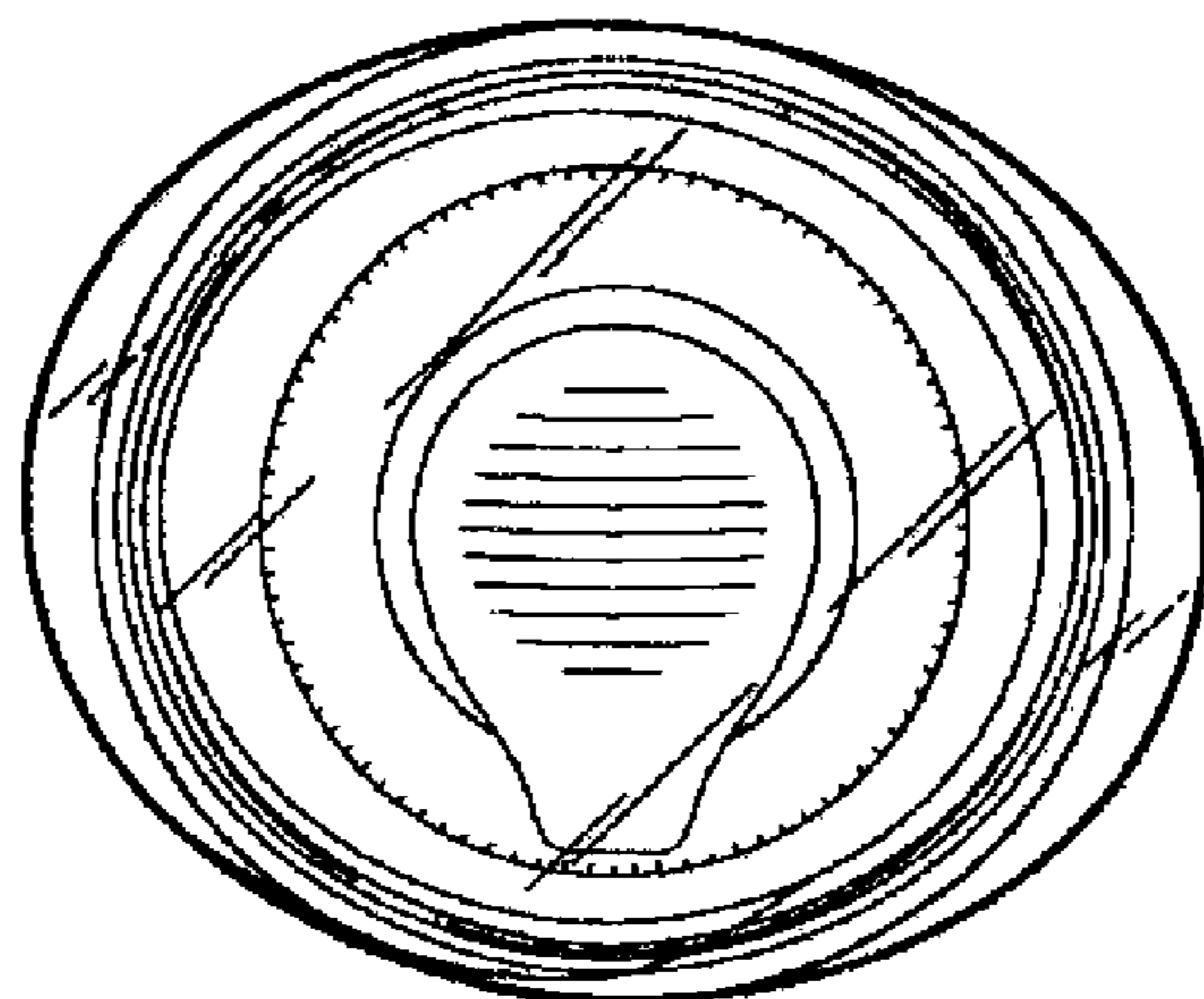


Fig. 6.

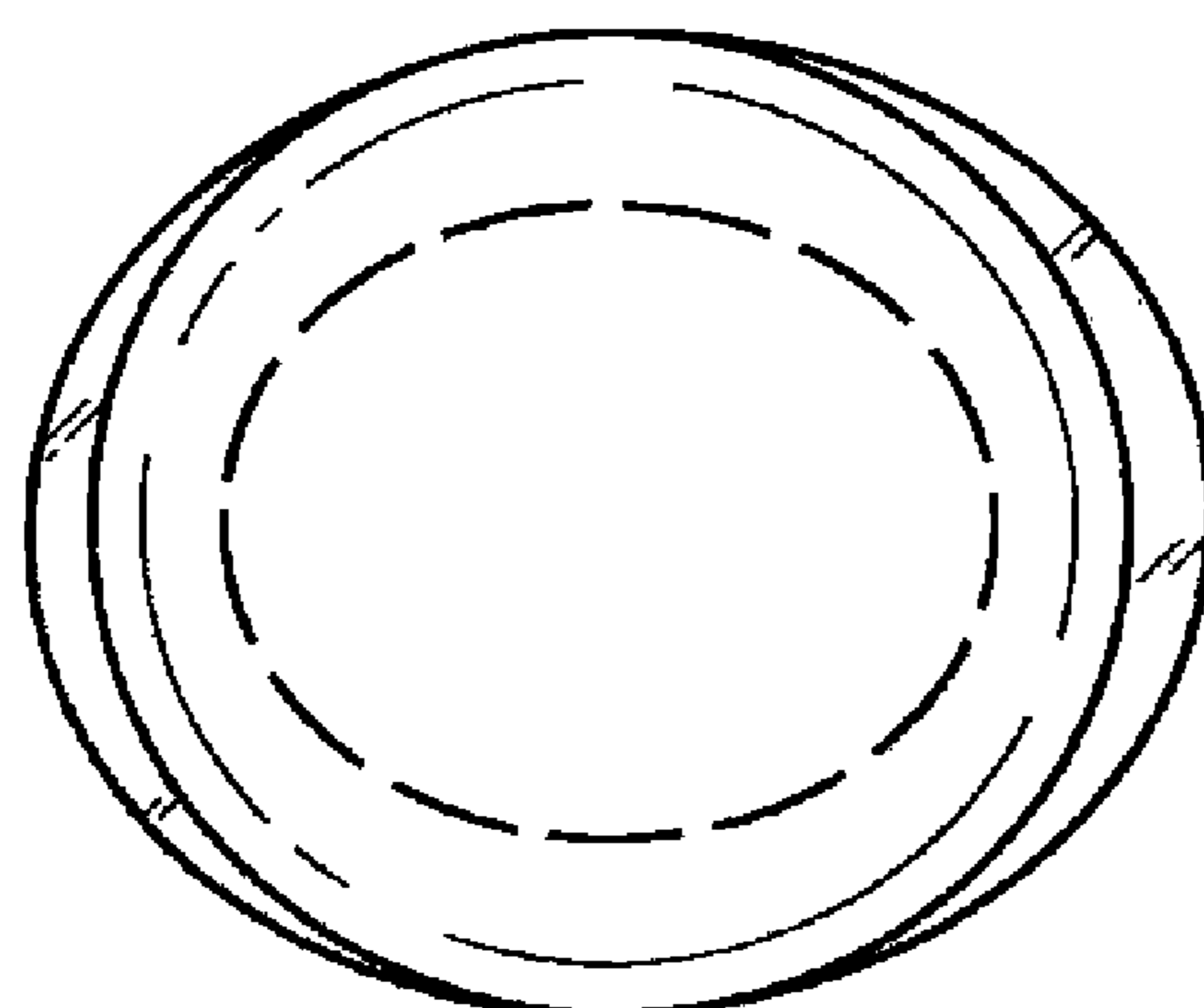


Fig. 7.