



US00D610018S

(12) **United States Design Patent**
Zoppas

(10) **Patent No.:** **US D610,018 S**
(45) **Date of Patent:** **** Feb. 16, 2010**

(54) **BOTTLE**

(75) Inventor: **Enrico Zoppas, Scorze' (IT)**

(73) Assignee: **Acqua Minerale San Benedetto S.p.A., Scorze' (IT)**

(**) Term: **14 Years**

(21) Appl. No.: **29/335,161**

(22) Filed: **Apr. 9, 2009**

Related U.S. Application Data

(62) Division of application No. 29/280,152, filed on May 17, 2007.

(30) **Foreign Application Priority Data**

Nov. 17, 2006 (WO) DM/068 770

(51) **LOC (9) Cl.** **09-01**

(52) **U.S. Cl.** **D9/541; D9/542; D9/560; D9/570; D9/574**

(58) **Field of Classification Search** D9/516, D9/528, 530, 531, 534, 537-539, 541-543, D9/549, 551-560, 563, 564, 566-571; 215/12.1-12.2, 215/13.1, 381-385, 396-398

See application file for complete search history.

(56) **References Cited**

U.S. PATENT DOCUMENTS

D268,324 S *	3/1983	Gautier	D9/560
D300,511 S *	4/1989	Cramer	D9/551
D318,229 S *	7/1991	Umetsu	D9/531
D340,190 S *	10/1993	Skidmore et al.	D9/542
D374,826 S *	10/1996	Mackinson et al.	D9/542
D397,941 S *	9/1998	Lauth	D9/502
D423,940 S *	5/2000	Chimetto	D9/541
D424,948 S *	5/2000	Ullmo	D9/540
D435,453 S *	12/2000	Krishnakumar et al.	D9/537
D436,043 S *	1/2001	Krishnakumar et al.	D9/537

D441,295 S *	5/2001	Krich	D9/542
D443,207 S *	6/2001	Krishnakumar et al.	D9/537
D443,827 S *	6/2001	Krishnakumar et al.	D9/537
D453,686 S *	2/2002	Petursdottir	D9/570
D467,507 S *	12/2002	Bryant et al.	D9/570
D476,576 S *	7/2003	Hirst et al.	D9/539
D503,341 S *	3/2005	Delmotte	D9/538
D504,069 S *	4/2005	Gross et al.	D9/538
D506,931 S *	7/2005	Delmotte	D9/538
D531,910 S *	11/2006	Melrose	D9/538
D545,684 S *	7/2007	DeMaso et al.	D9/557
D547,667 S *	7/2007	DeMaso et al.	D9/557
D554,996 S *	11/2007	Laupie	D9/500

(Continued)

Primary Examiner—Stella M Reid

Assistant Examiner—Keli L Hill

(74) *Attorney, Agent, or Firm*—Hogan & Hartson LLP

(57) **CLAIM**

The ornamental design of a bottle, as shown and described.

DESCRIPTION

FIG. 1 is a first side view of the bottle;

FIG. 2 is a second side view of the bottle;

FIG. 3 is a bottom plan view of the bottle;

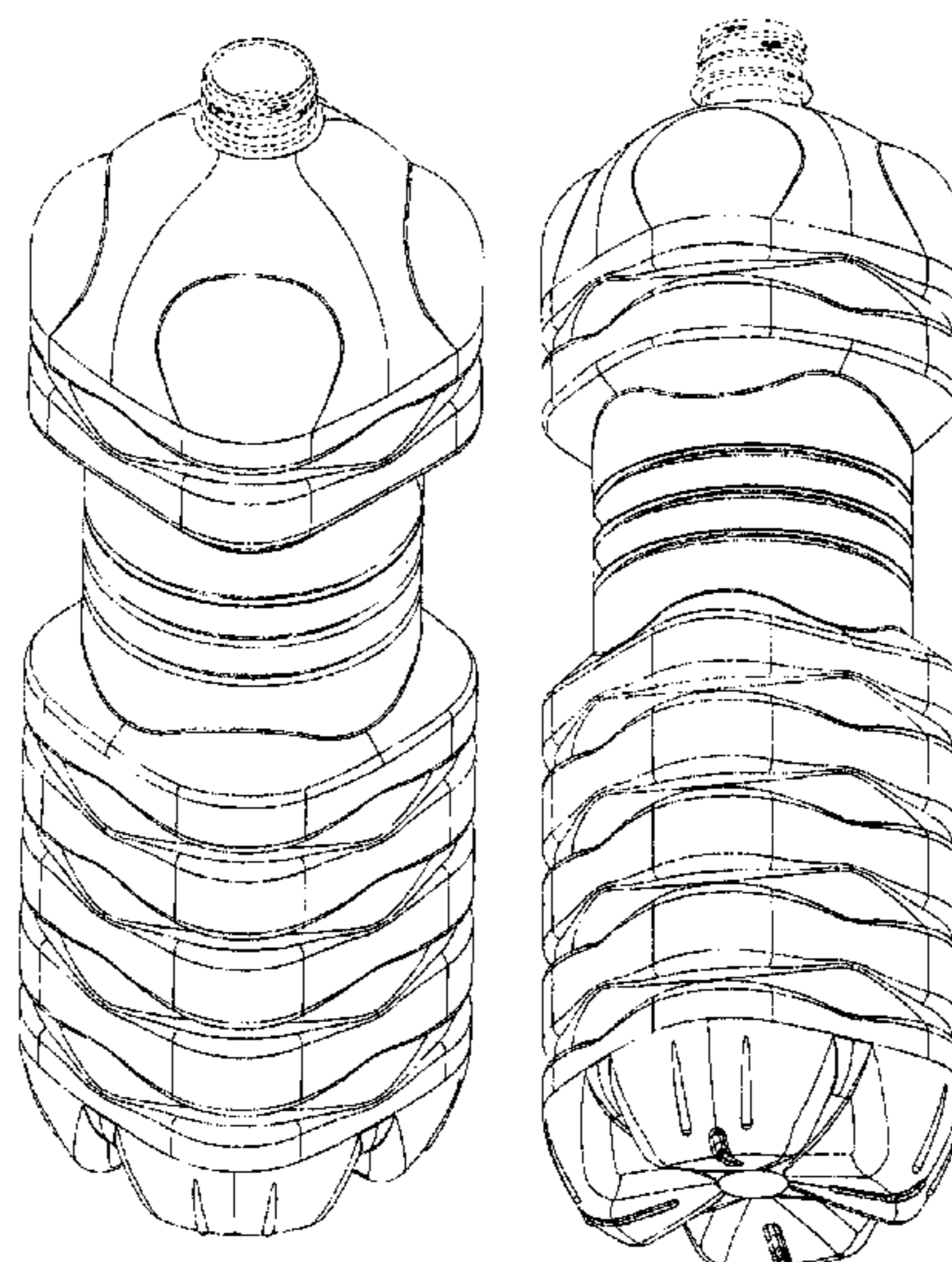
FIG. 4 is a top plan view of the bottle;

FIG. 5 is a first side view in perspective of the bottle; and,

FIG. 6 is a second side view in perspective of the bottle.

The broken lines represent the portions of the design that form no part of the claim.

1 Claim, 6 Drawing Sheets



US D610,018 S

Page 2

U.S. PATENT DOCUMENTS

D556,594 S *	12/2007	Webb	D9/556	D594,751 S *	6/2009	Bourne	D9/541
D559,695 S *	1/2008	Lesueur	D9/538	D597,849 S *	8/2009	Aoyagi et al.	D9/566
D576,497 S *	9/2008	Ozer	D9/556	2008/0073315 A1 *	3/2008	Hermel et al.	215/379
D580,271 S *	11/2008	Tsai	D9/542	2008/0087628 A1 *	4/2008	Bangi et al.	215/384
D582,781 S *	12/2008	Miller	D9/538	2008/0223816 A1 *	9/2008	Darr et al.	215/382
					2008/0277374 A1 *	11/2008	Miura	215/384

* cited by examiner

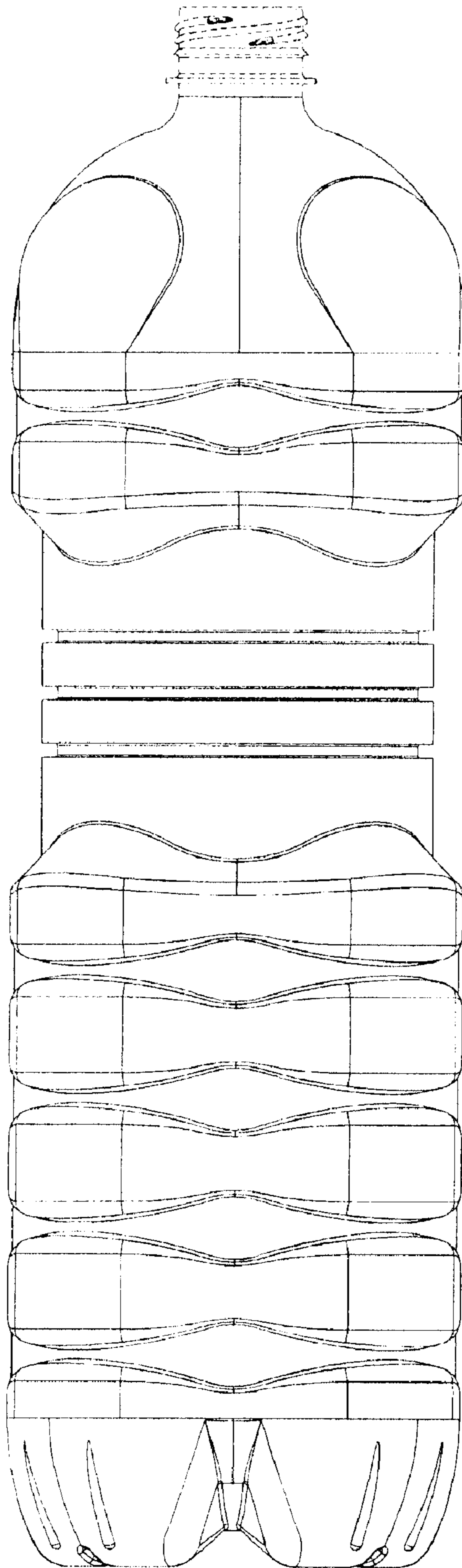


Fig. 1

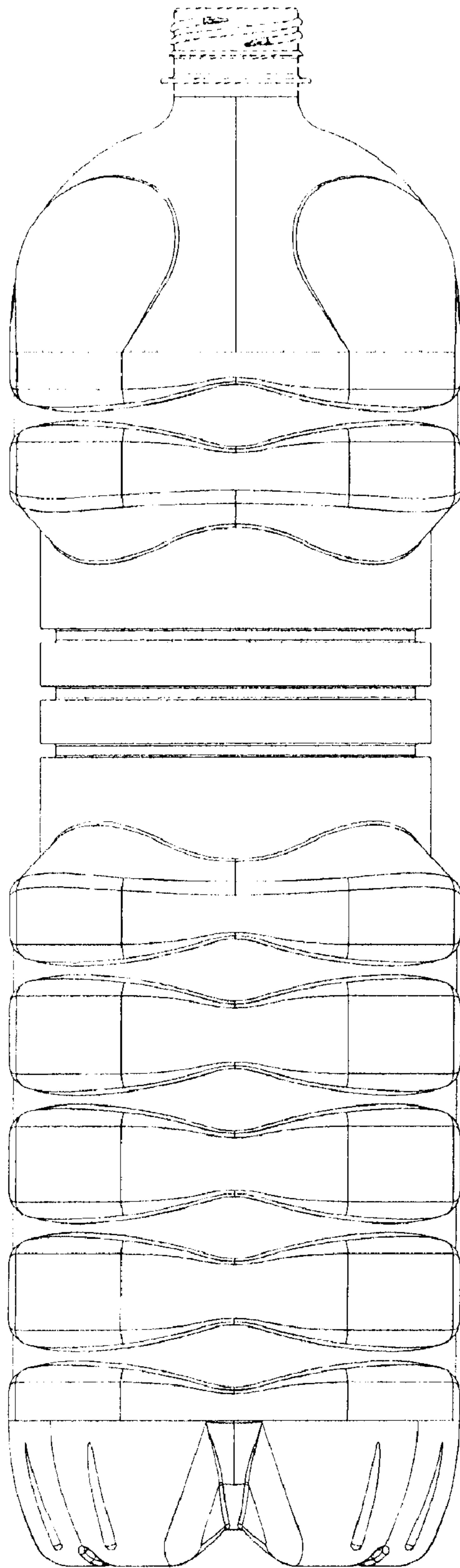


Fig.2

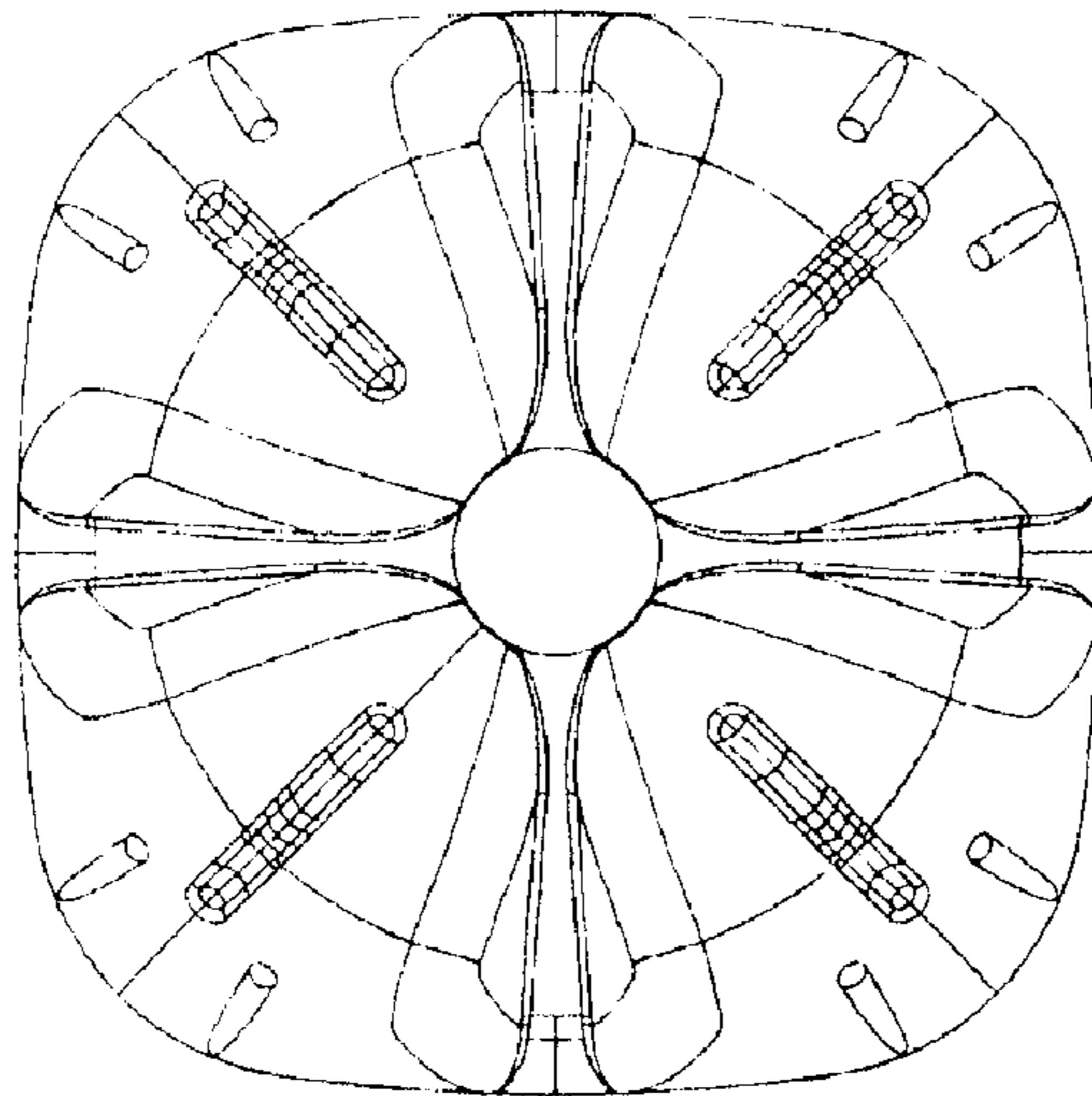


Fig.3

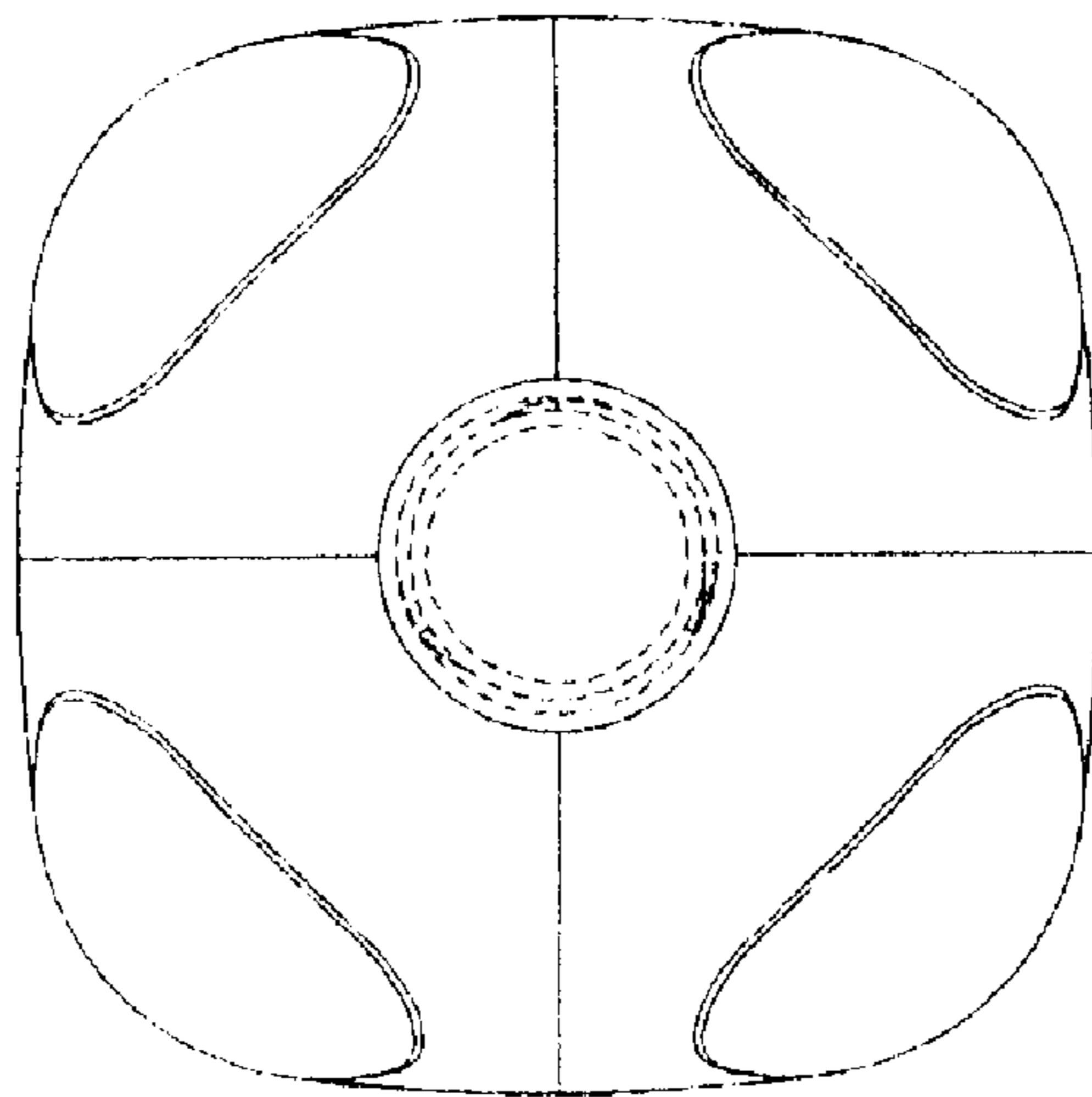


Fig. 4

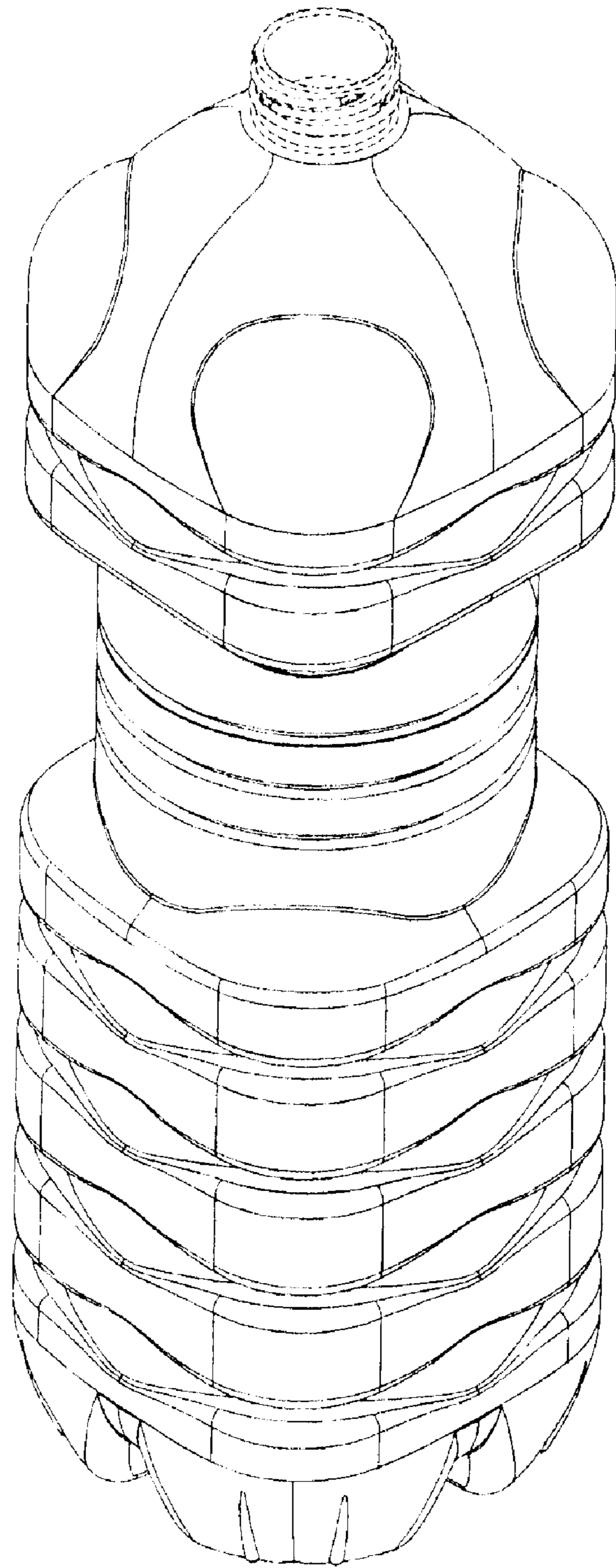


Fig.5

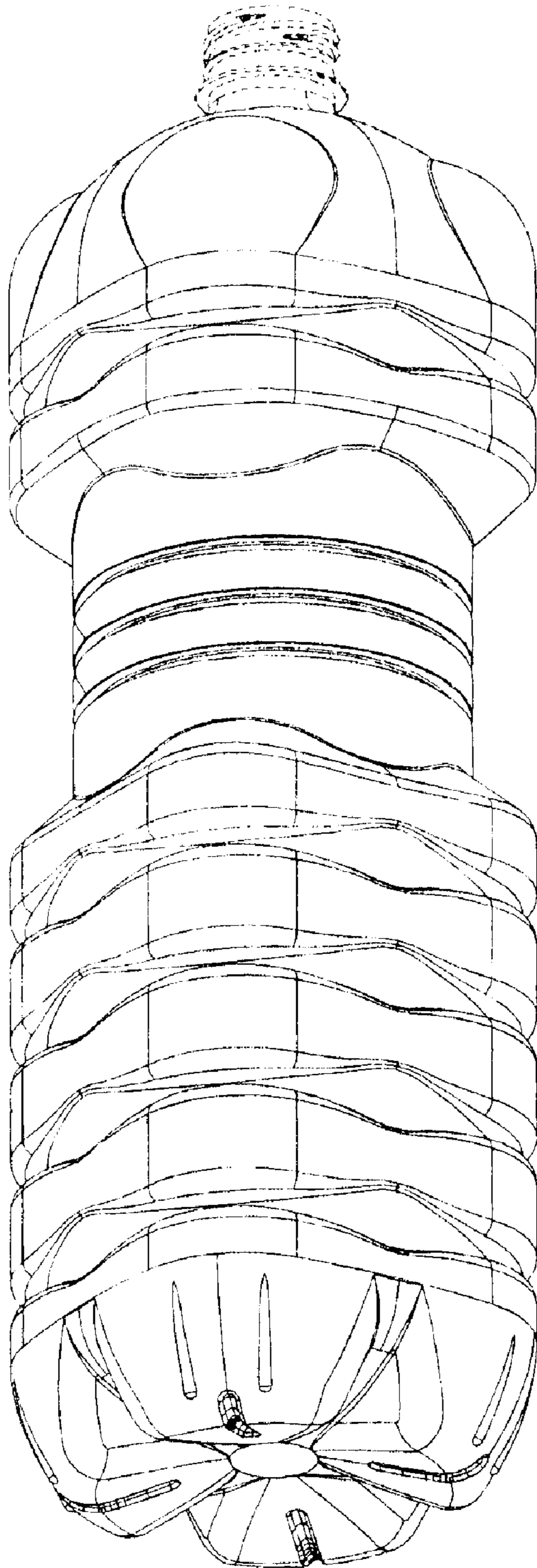


Fig.6