



US00D610009S

(12) **United States Design Patent**
Prufer

(10) **Patent No.:** **US D610,009 S**
(45) **Date of Patent:** **** Feb. 16, 2010**

(54) **CONTAINER**

(75) Inventor: **Christopher Helmut Prufer**, Parañaque (PH)

(73) Assignee: **Colgate-Palmolive Company**, New York, NY (US)

(**) Term: **14 Years**

(21) Appl. No.: **29/323,698**

(22) Filed: **Aug. 29, 2008**

(30) **Foreign Application Priority Data**

Feb. 29, 2008 (PH) 3-2008-000194

(51) **LOC (9) Cl.** **09-01**

(52) **U.S. Cl.** **D9/504**

(58) **Field of Classification Search** D9/500,
D9/503-505, 516, 549, 558, 682, 686, 688-691;
D26/9, 22; 215/379, 381-384; 220/660,
220/662-663, 665, 669-673, 675

See application file for complete search history.

(56) **References Cited**

U.S. PATENT DOCUMENTS

- D49,555 S 8/1916 Vivaudou
- D57,488 S 4/1921 Vivaudou
- D61,505 S 9/1922 Newell
- D66,734 S 3/1925 Hedden
- D68,837 S 11/1925 Veith et al.
- D69,907 S 4/1926 Nitardy
- D74,335 S 1/1928 Wilford
- D84,098 S 5/1931 Nejelski
- D94,021 S 12/1934 Desser
- D96,413 S 7/1935 Petaja
- D97,469 S 11/1935 Durant
- D97,478 S 11/1935 Fuerst
- D100,122 S 6/1936 Petaja
- D101,810 S 11/1936 Fuerst
- D105,671 S 8/1937 Noble
- D106,034 S 9/1937 Harrison
- D113,299 S 2/1939 Elwell
- D155,930 S 11/1949 Serra

- D163,390 S 5/1951 Hofmann
- 2,981,431 A 4/1961 Schluttig
- D202,299 S 9/1965 De Karr
- D205,556 S 8/1966 Plochman, Jr.
- D207,355 S 4/1967 Fesenmaier
- D212,525 S 10/1968 Kneapler
- 3,494,515 A 2/1970 Fattori
- D224,516 S 8/1972 Amberg
- D227,003 S 5/1973 Graham
- D230,953 S 3/1974 Edwards
- D235,193 S 5/1975 Edwards
- D235,450 S * 6/1975 Chapman D23/362
- D237,854 S 12/1975 Achenback
- D256,110 S * 7/1980 Dunbar et al. D11/153
- D298,592 S 11/1988 Stoop
- D321,476 S 11/1991 Alcover

(Continued)

FOREIGN PATENT DOCUMENTS

AU 305688 S 2/2006

(Continued)

Primary Examiner—Ian Simmons
Assistant Examiner—Dana L Sipos
(74) *Attorney, Agent, or Firm*—Amy M. Fernandez

(57) **CLAIM**

The ornamental design for a container, as shown and described.

DESCRIPTION

FIG. 1 is a perspective view of the container of my design.

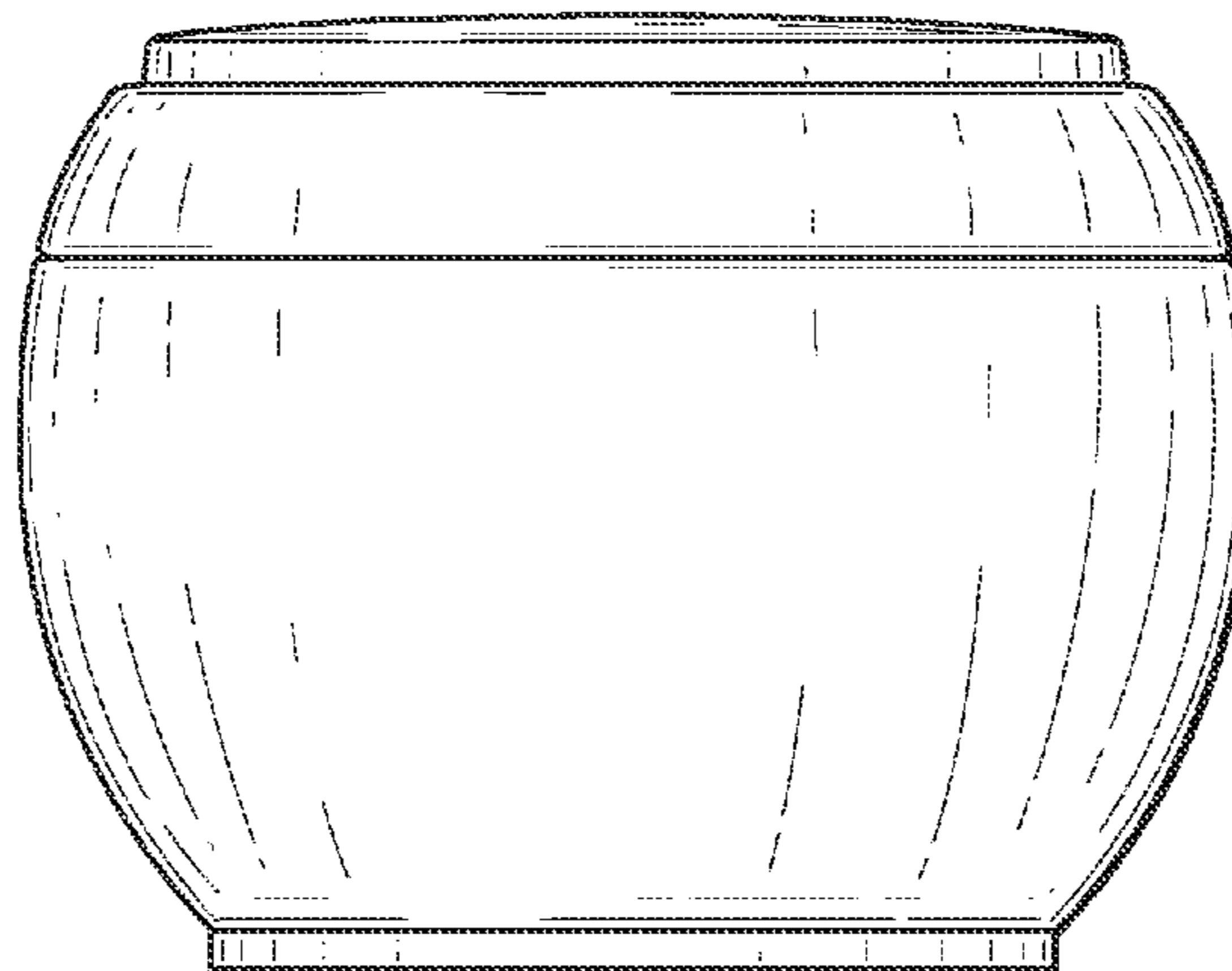
FIG. 2 is an elevation view thereof.

FIG. 3 is a top plan view thereof; and,

FIG. 4 is a bottom plan view thereof.

The broken lines in the drawings showing the bottom surface of the container illustrate the portion of the design that forms no part of the claim.

1 Claim, 2 Drawing Sheets



US D610,009 S

Page 2

U.S. PATENT DOCUMENTS

D348,312 S 6/1994 Schwartz et al.
D364,676 S * 11/1995 Chiu et al. D23/356
D445,032 S * 7/2001 Hammer D9/504
D511,975 S * 11/2005 Py D9/682
D552,473 S * 10/2007 Simkin D9/519

D561,030 S * 2/2008 Simkin D9/519
D572,535 S * 7/2008 El-Ghouyel et al. D7/538

FOREIGN PATENT DOCUMENTS

AU 305750 S 3/2006

* cited by examiner

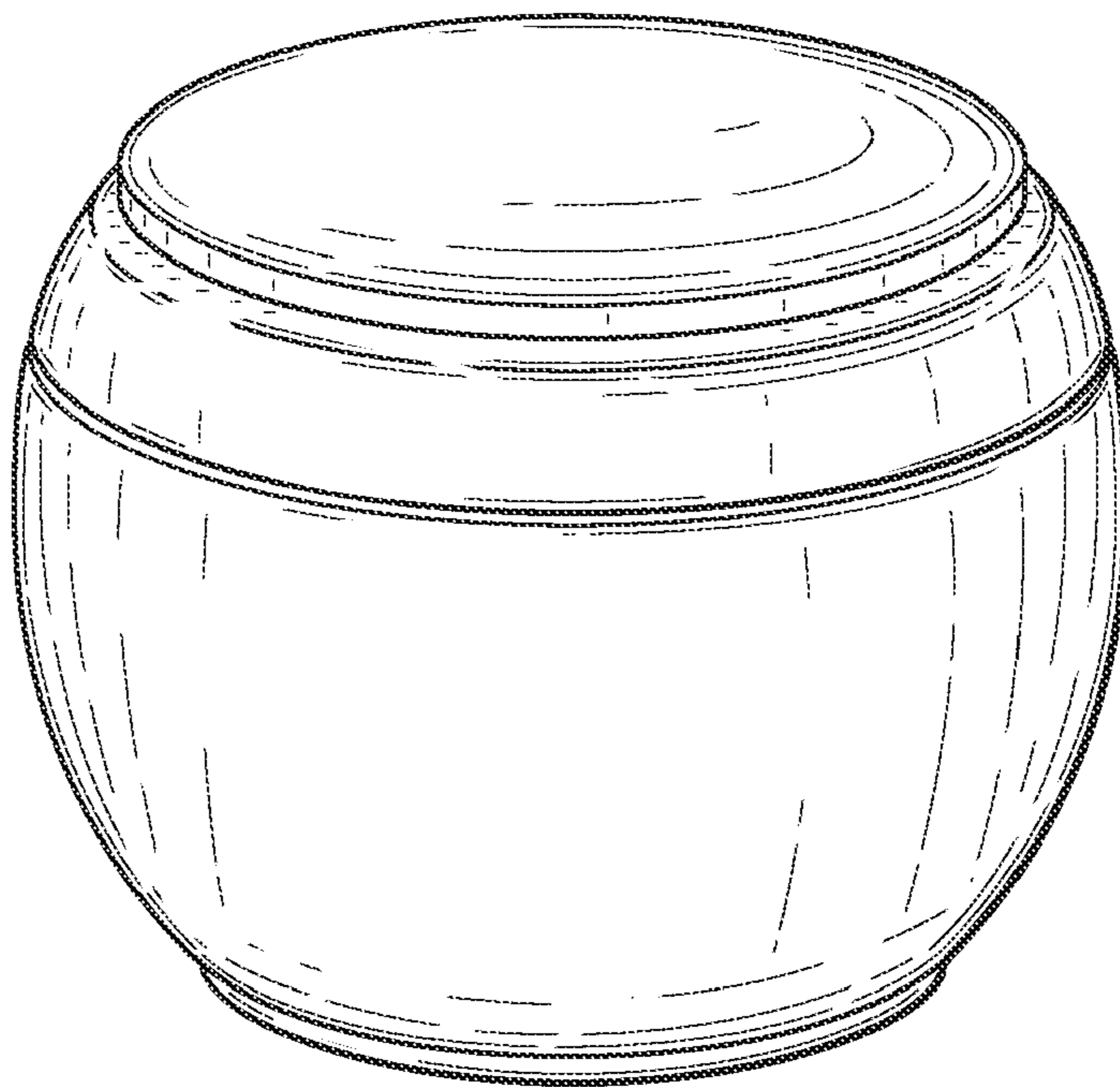


FIG. 1

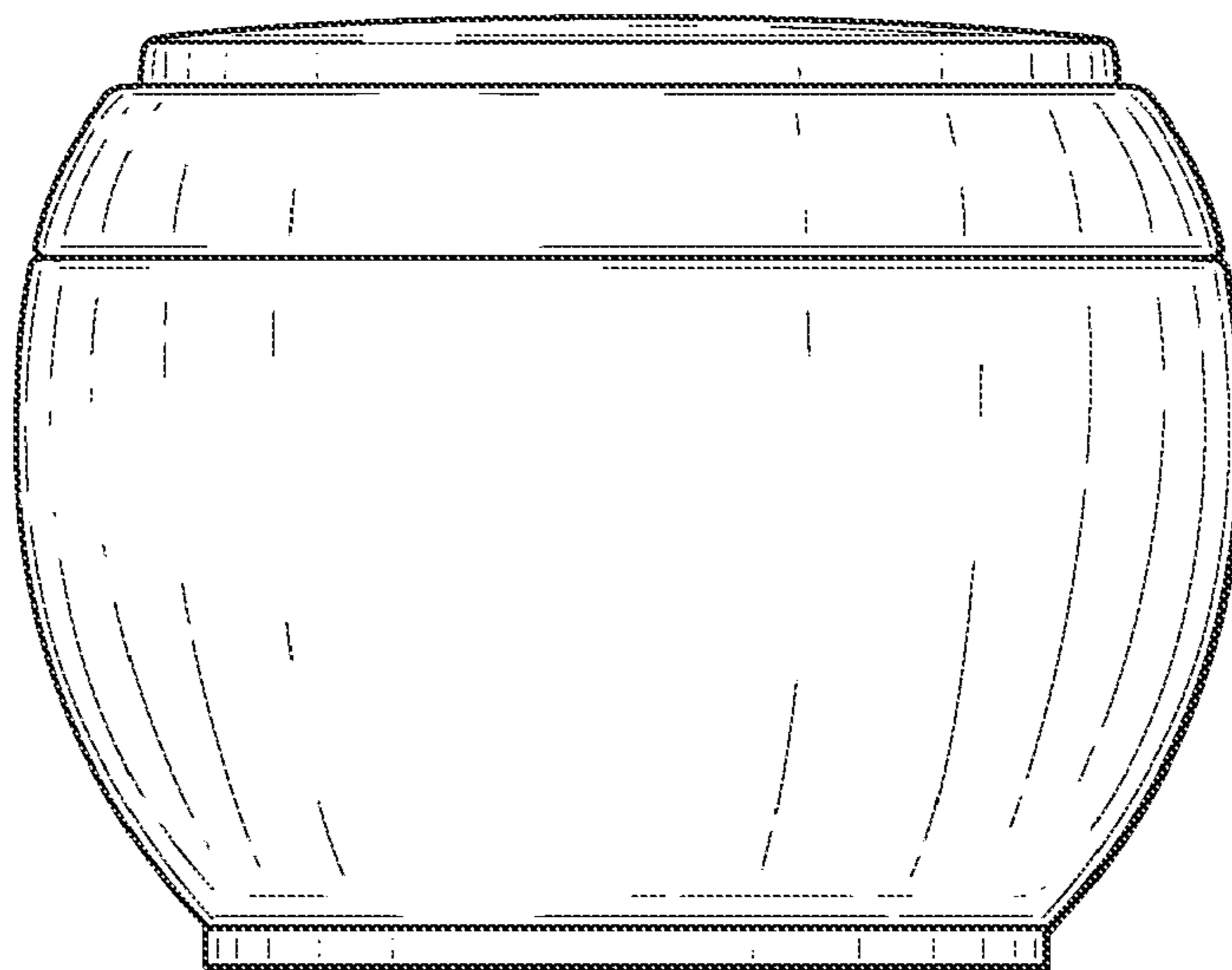


FIG. 2

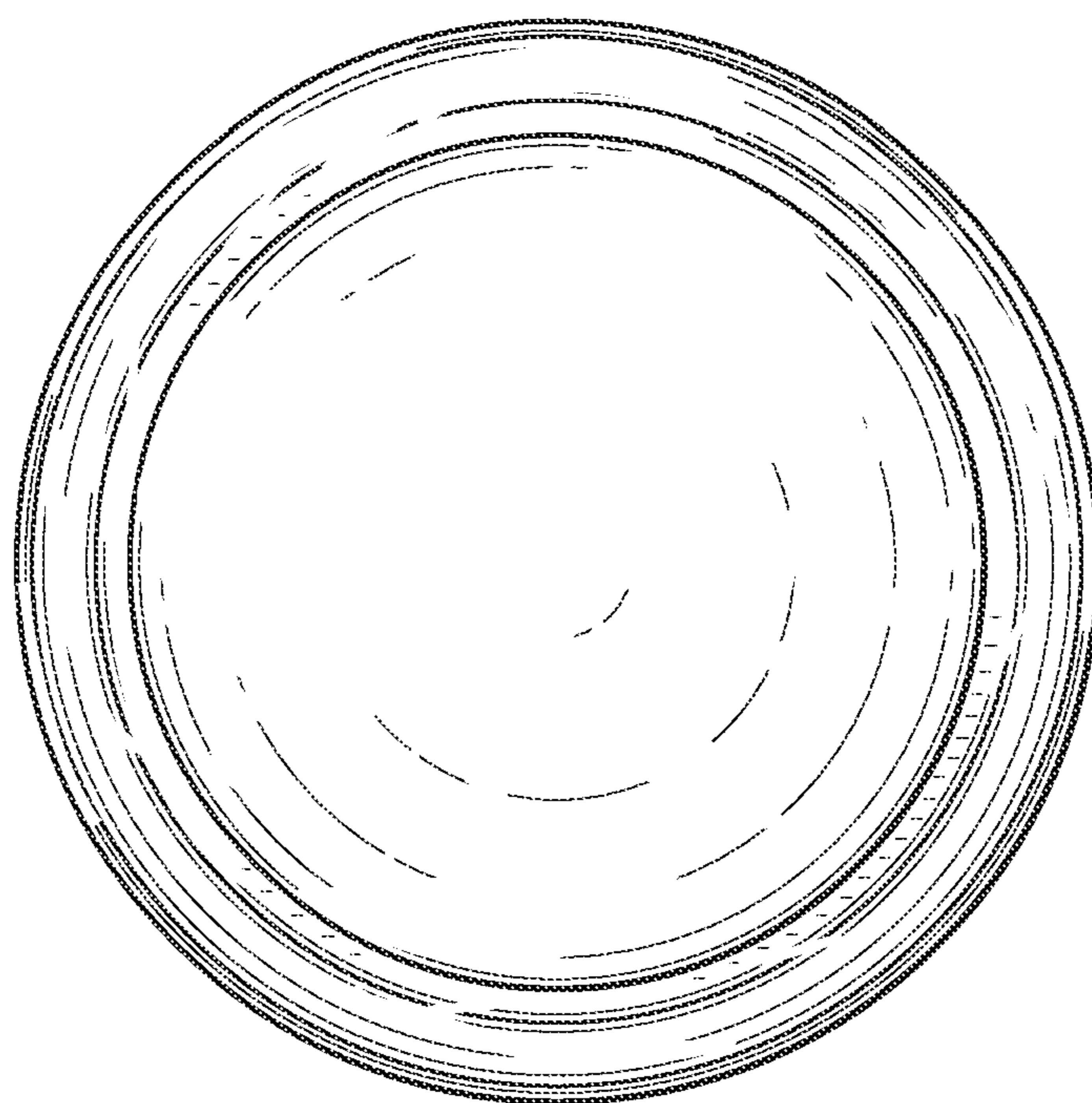


FIG. 3

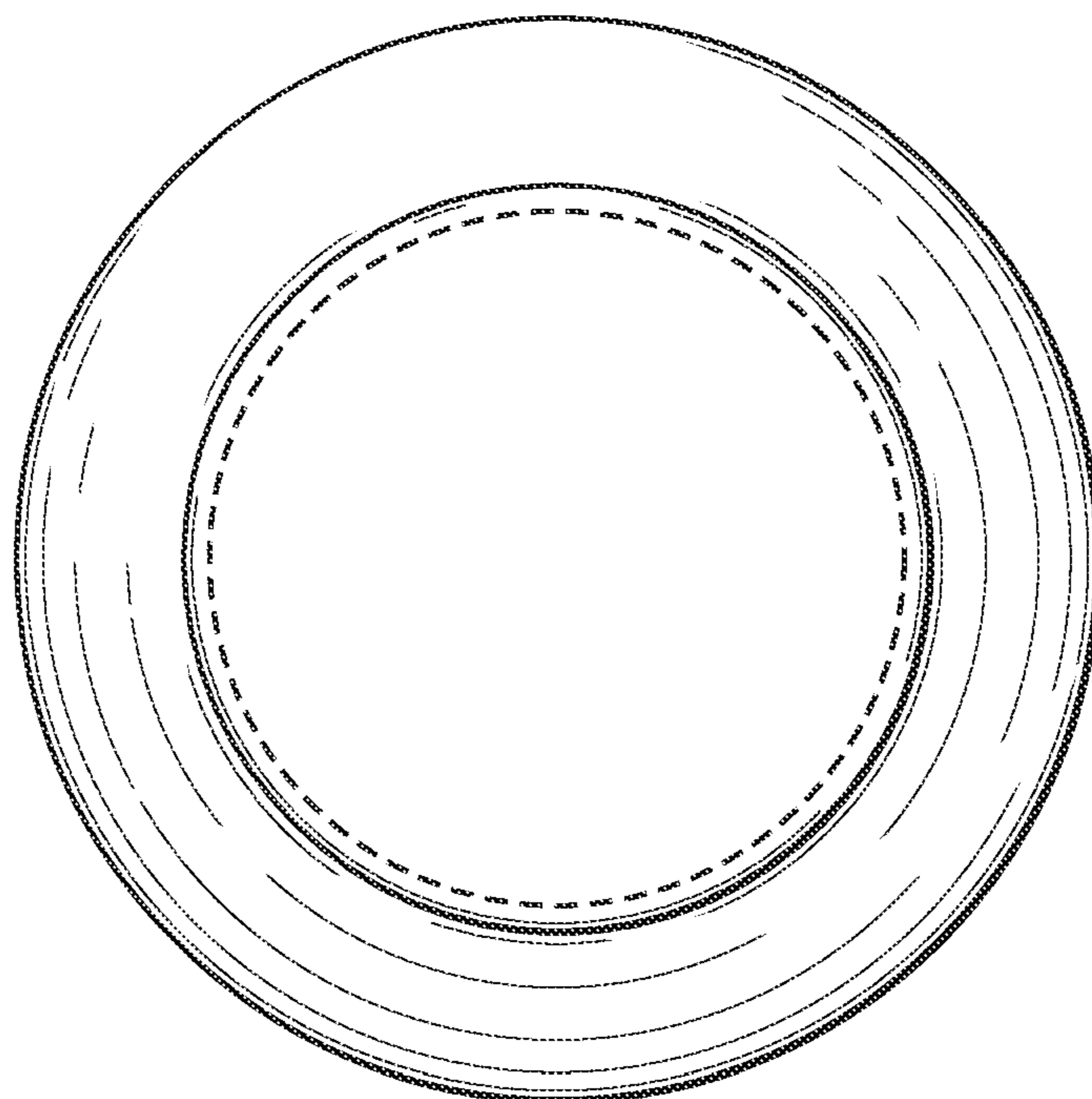


FIG. 4