



US00D610008S

(12) **United States Design Patent**
Baughman

(10) **Patent No.:** **US D610,008 S**

(45) **Date of Patent:** **** *Feb. 16, 2010**

(54) **CLOSURE FOR A CONTAINER WITH
RETAINING RING**

(75) Inventor: **Gary M. Baughman**, Auburn, IN (US)

(73) Assignee: **Rieke Corporation**, Auburn, IN (US)

(*) Notice: This patent is subject to a terminal disclaimer.

(**) Term: **14 Years**

(21) Appl. No.: **29/336,677**

(22) Filed: **May 7, 2009**

(51) **LOC (9) Cl.** **09-07**

(52) **U.S. Cl.** **D9/454**

(58) **Field of Classification Search** D9/454,
D9/450, 449, 447, 446, 443, 438, 436, 435,
D9/434; D7/510, 396.2, 391; 222/565, 556,
222/109, 498, 153.01-153.14; 221/63; 220/847,
220/838, 375, 367.1, 258.2, 257.1, 254.1-254.4;
215/306, 256, 249, 243, 237, 235, 230; 16/257
See application file for complete search history.

(56) **References Cited**

U.S. PATENT DOCUMENTS

| | | | |
|--------------|---------|--------------|------------|
| 2,895,654 A | 7/1959 | Rieke | 222/529 |
| 2,935,223 A | 5/1960 | Crowley | 220/91 |
| 4,413,743 A | 11/1983 | Summers | 215/216 |
| 5,244,113 A | 9/1993 | Stymiest | 220/710.5 |
| D362,389 S | 9/1995 | Frye | D7/629 |
| D365,519 S * | 12/1995 | Welch et al. | D9/454 |
| 5,678,735 A | 10/1997 | Guglielmini | 222/153.06 |
| D396,380 S | 7/1998 | Lai et al. | D7/392 |

| | | | |
|-------------------|---------|------------------|------------|
| D397,586 S * | 9/1998 | Bowers | D7/615 |
| 5,950,876 A | 9/1999 | McLelland et al. | 222/153.06 |
| D427,021 S | 6/2000 | Moran | D7/608 |
| D511,457 S | 11/2005 | Biesecker et al. | D9/443 |
| D522,860 S | 6/2006 | LaFortune | D9/449 |
| 7,222,741 B2 * | 5/2007 | Chmela et al. | 220/257.1 |
| D564,878 S * | 3/2008 | Baughman et al. | D9/454 |
| D564,879 S * | 3/2008 | Baughman | D9/454 |
| D567,081 S * | 4/2008 | Baughman et al. | D9/434 |
| D567,084 S * | 4/2008 | Batton et al. | D9/454 |
| D567,087 S * | 4/2008 | Baughman et al. | D9/454 |
| 2008/0296301 A1 * | 12/2008 | Baughman et al. | 220/289 |

* cited by examiner

Primary Examiner—Susan Bennett Hattan

(74) *Attorney, Agent, or Firm*—Woodard, Emhardt, Moriarty, McNett & Henry LLP

(57) **CLAIM**

The ornamental design for closure for a container with retaining ring, as shown and described.

DESCRIPTION

FIG. 1 is a front elevational view of a closure for a container with retaining ring, showing our new design, the rear elevational view being identical thereto;

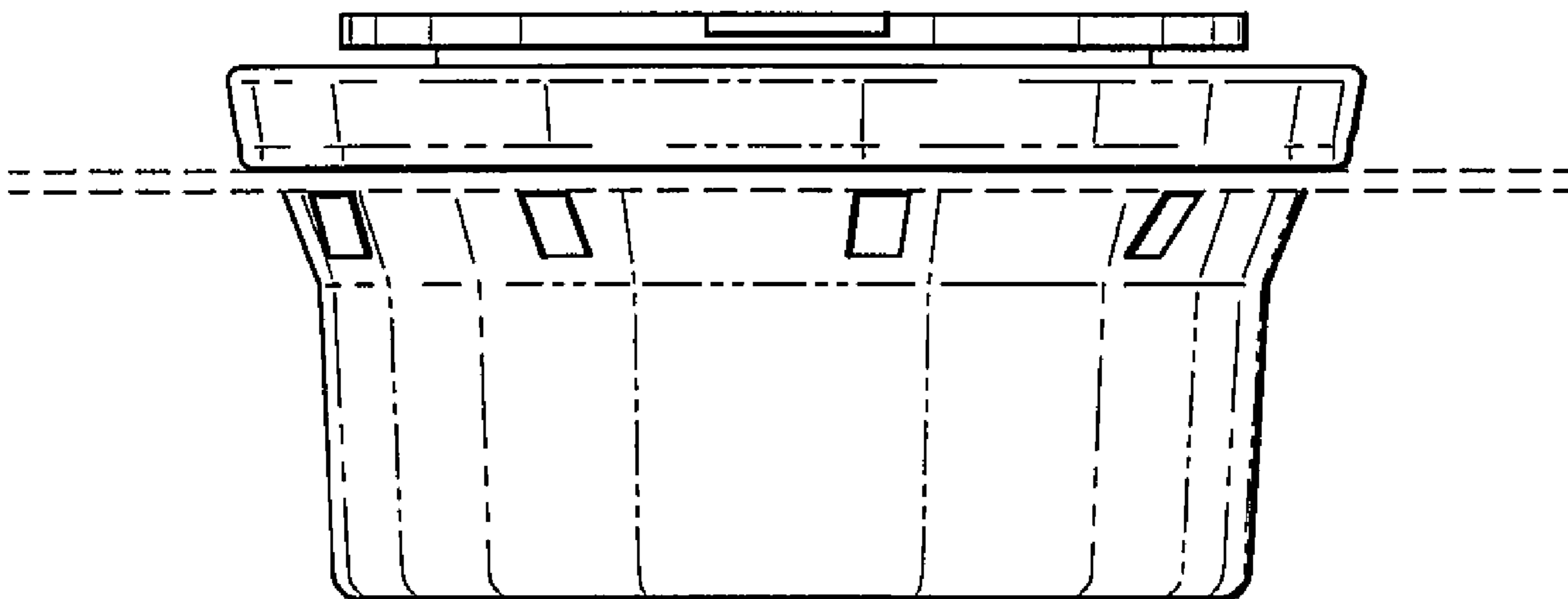
FIG. 2 is a left side elevational view thereof, the right side elevational view being identical thereto;

FIG. 3 is a top plan view thereof; and,

FIG. 4 is a bottom plan view thereof.

The broken lines in FIGS. 1-4 showing a portion of the container depict the bounds of the claimed design but form no part of the claimed design.

1 Claim, 2 Drawing Sheets



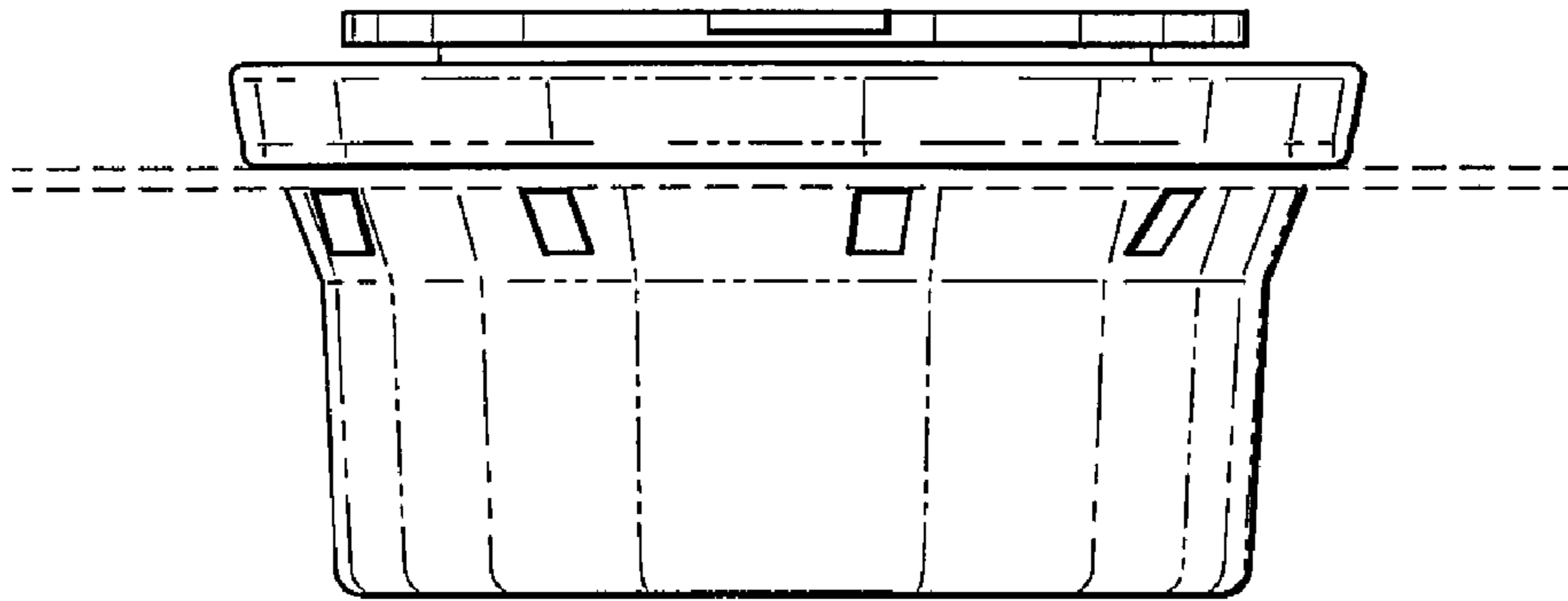


Fig. 1

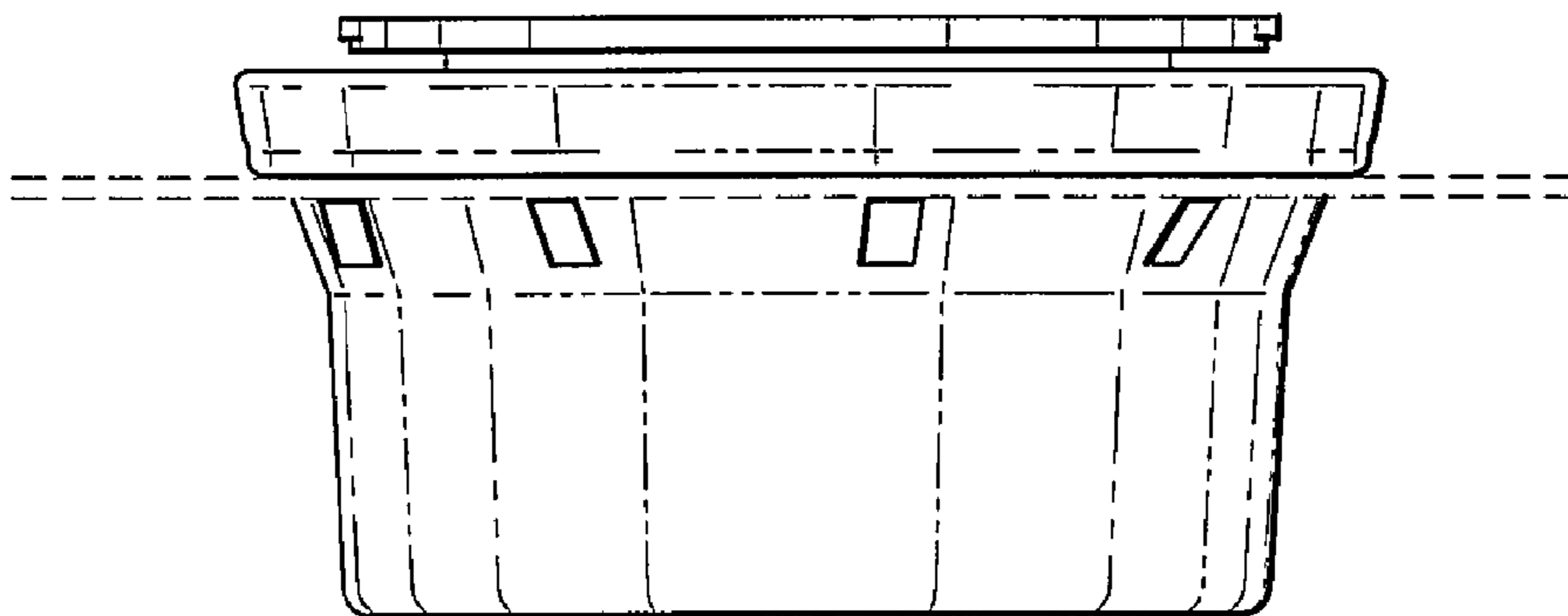


Fig. 2

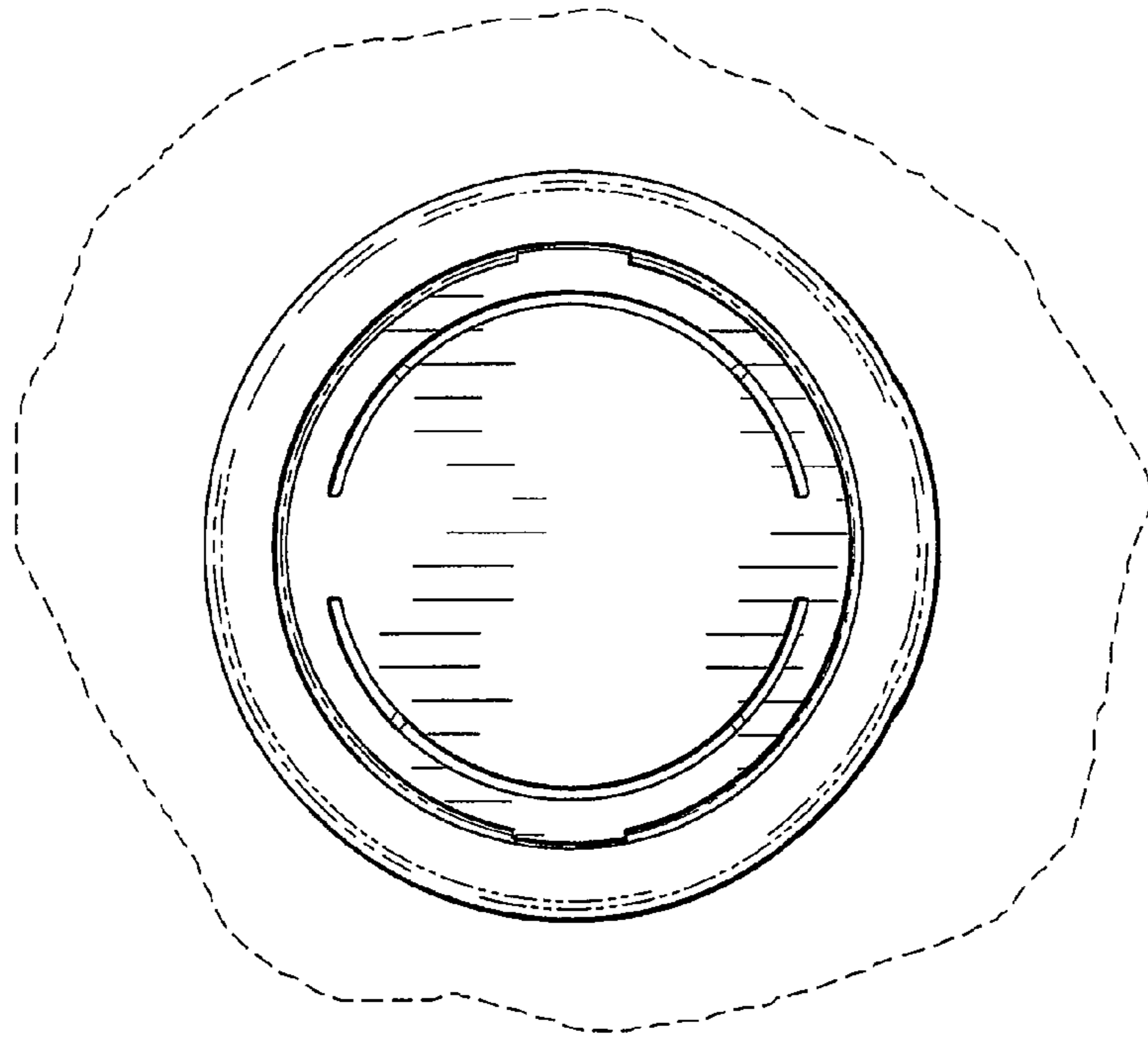


Fig. 3

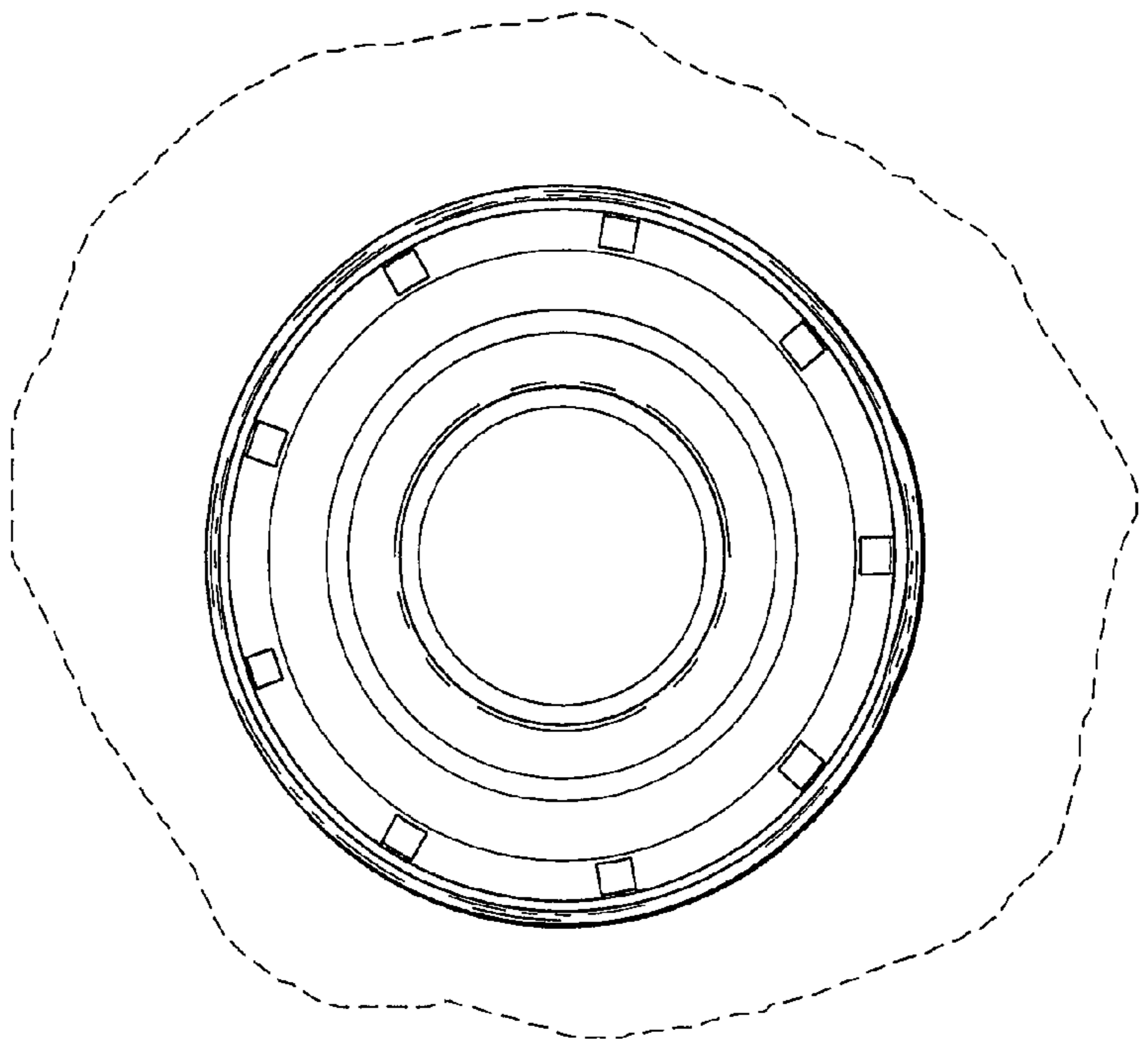


Fig. 4