



US00D610005S

(12) **United States Design Patent**  
**McKinney**

(10) **Patent No.:** **US D610,005 S**  
(45) **Date of Patent:** **\*\* Feb. 16, 2010**

(54) **DRINKING CONTAINER CAP ASSEMBLY**

(57) **CLAIM**

(75) Inventor: **Larry T. McKinney**, Huntersville, NC (US)

The ornamental design for a “drinking container cap assembly,” as shown and described.

(73) Assignee: **Rubbermaid Incorporated**, Huntersville, NC (US)

**DESCRIPTION**

(\*\*) Term: **14 Years**

(21) Appl. No.: **29/306,729**

(22) Filed: **Apr. 15, 2008**

(51) **LOC (9) Cl.** ..... **09-07**

(52) **U.S. Cl.** ..... **D9/446**

(58) **Field of Classification Search** ..... D9/454,  
D9/450, 449, 447, 446, 443, 438, 436, 435,  
D9/434; D7/510, 396.2, 391; 222/565, 556,  
222/109, 498, 153.01–153.14; 221/63; 220/847,  
220/838, 375, 367.1, 258.2, 257.1, 254.1–254.4;  
215/306, 256, 249, 243, 237, 235, 230; 16/257  
See application file for complete search history.

FIG. 1 is a top, front, and right side perspective view showing my new design for a drinking container cap assembly and with a cap closure in a closed configuration.

FIG. 2 is a top view of the drinking container cap assembly shown in FIG. 1.

FIG. 3 is a right side view of the drinking container cap assembly shown in FIG. 1, the left side being substantially a mirror image thereof.

FIG. 4 is a front view of the drinking container cap assembly shown in FIG. 1.

FIG. 5 is a rear view of the drinking container cap assembly shown in FIG. 1.

FIG. 6 is a bottom view of the drinking container cap assembly shown in FIG. 1.

FIG. 7 is a top, rear, and left side perspective view of the drinking container cap assembly shown in FIG. 1, but with the cap closure in an opened configuration.

FIG. 8 is a top view of the drinking container cap assembly shown in FIG. 7.

FIG. 9 is a left side view of the drinking container cap assembly shown in FIG. 7.

FIG. 10 is a front view of the drinking container cap assembly shown in FIG. 7.

FIG. 11 is a rear view of the drinking container cap assembly shown in FIG. 7; and,

FIG. 12 is a bottom view of the drinking container cap assembly shown in FIG. 7.

The broken lines in the drawings depict environmental subject matter only and form no part of the claimed design.

(56) **References Cited**

**U.S. PATENT DOCUMENTS**

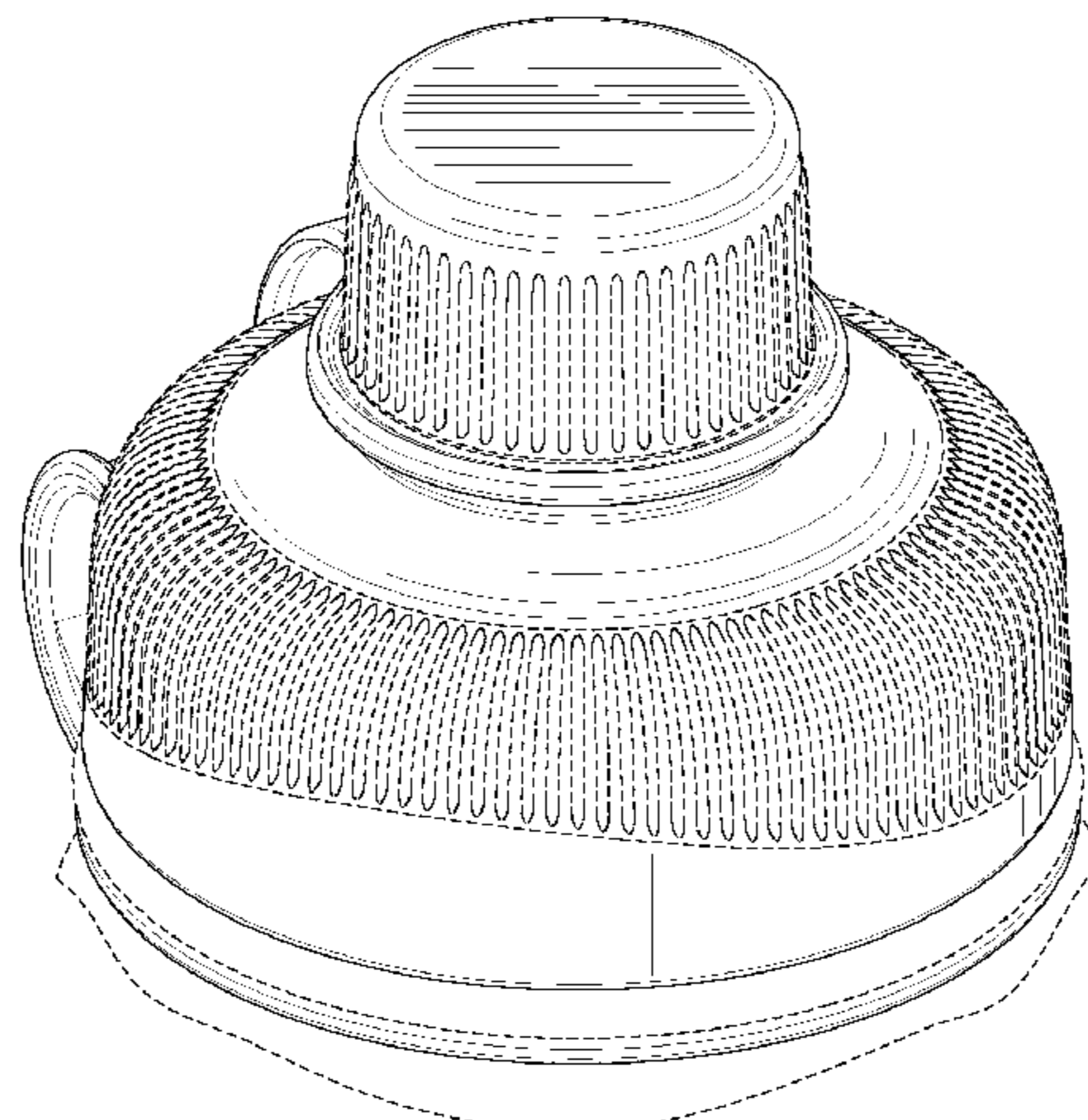
218,719 A	8/1879	Doyle	
591,668 A	10/1897	Johnson	
1,301,676 A	4/1919	Fitzgerald	
1,564,019 A	12/1925	Pierce	
1,633,420 A	6/1927	Schlayer	
2,155,329 A	4/1939	Perdue	
D174,205 S *	3/1955	Ward	D9/446
D185,179 S *	5/1959	Tupper	D9/436
2,911,128 A	11/1959	Krautkramer	
D193,121 S *	6/1962	Wickman	D9/446
3,147,824 A	9/1964	Henderson	
3,181,725 A *	5/1965	Friedl	220/375
D221,886 S *	9/1971	Gruett	D15/150
4,127,211 A	11/1978	Zerbey	

(Continued)

Primary Examiner—Susan Bennett Hattan

(74) Attorney, Agent, or Firm—Lempia Braidwood LLC

**1 Claim, 6 Drawing Sheets**



# US D610,005 S

Page 2

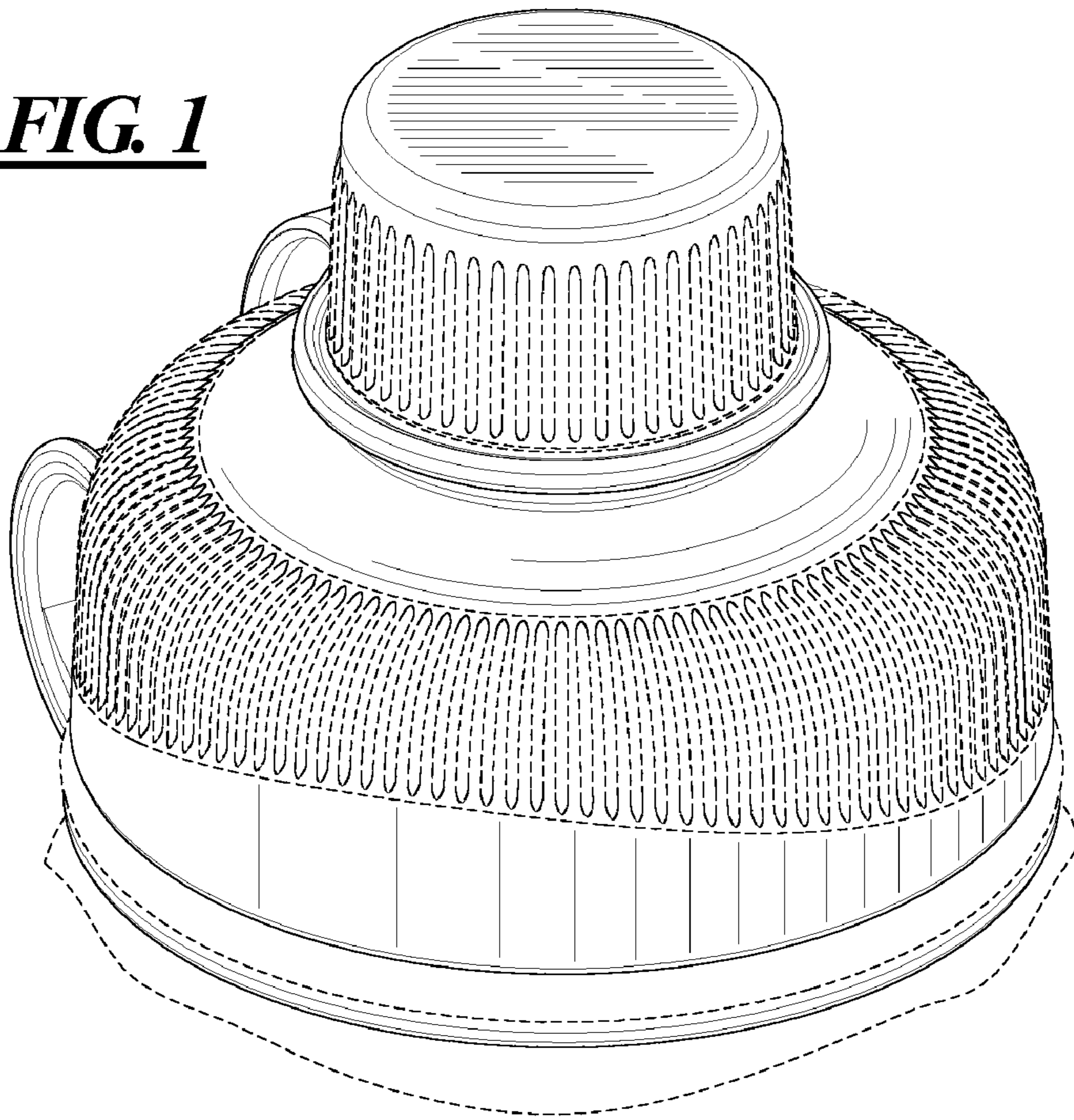
---

U.S. PATENT DOCUMENTS					
		6,478,180	B1	11/2002	Dehn, Sr.
4,448,316	A	D478,005	S *	8/2003	Sali ..... D9/446
4,478,346	A	D496,559	S	9/2004	Bodum
4,526,289	A	D501,362	S	2/2005	Gauss
D280,802	S *	7,040,499	B1	5/2006	Reif
4,669,641	A	D528,862	S	9/2006	Li
4,728,037	A	D529,338	S	10/2006	Poulson et al.
4,811,865	A	D530,200	S *	10/2006	Kingsley ..... D9/446
5,044,512	A	D536,929	S	2/2007	Kingsley
5,090,583	A	D537,676	S	3/2007	Kingsley
D337,939	S	D588,871	S	3/2009	Miller et al.
5,533,767	A	D591,160	S	4/2009	Windmiller
5,573,525	A	D596,458	S *	7/2009	McKinney ..... D7/510
D391,448	S	2004/0164079	A1	8/2004	Alois
D413,067	S	2005/0199631	A1	9/2005	Alois
6,079,589	A	2005/0247714	A1	11/2005	Backes et al.
D442,434	S	2005/0274741	A1	12/2005	Cho
6,227,399	B1	2008/0087624	A1 *	4/2008	Buckley ..... 215/230
D443,337	S	2009/0236341	A1 *	9/2009	McKinney et al. .... 220/375

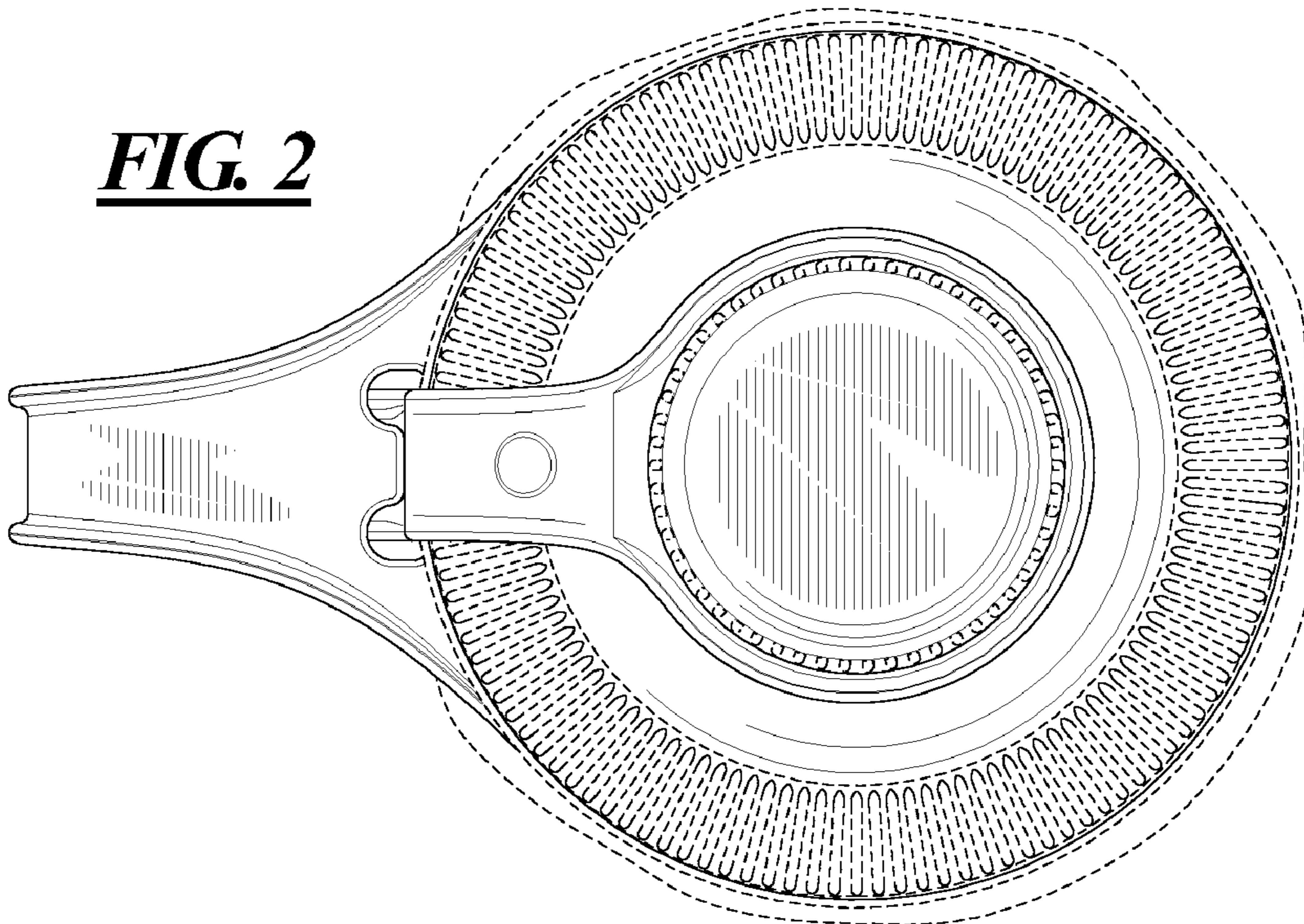
\* cited by examiner



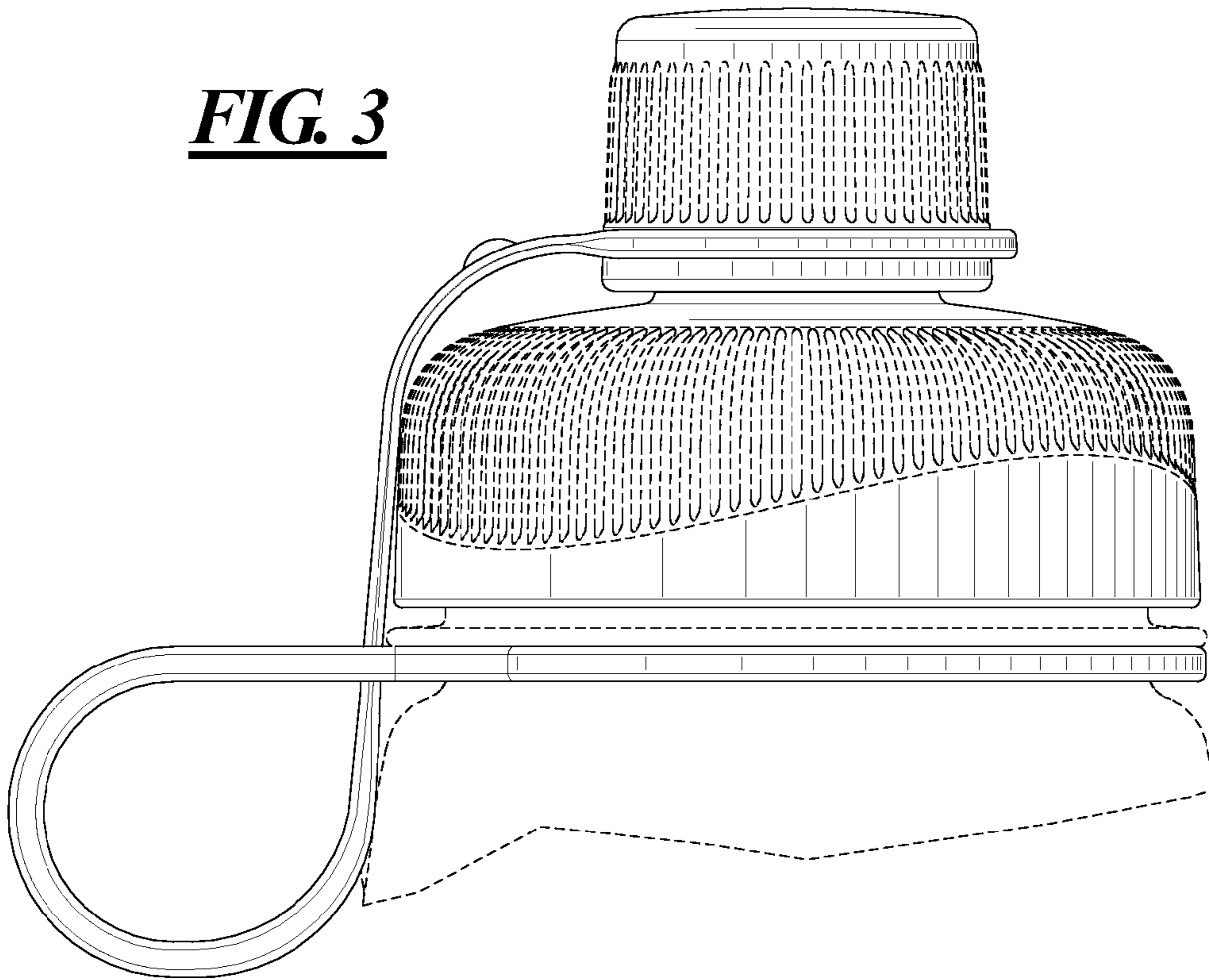
**FIG. 1**



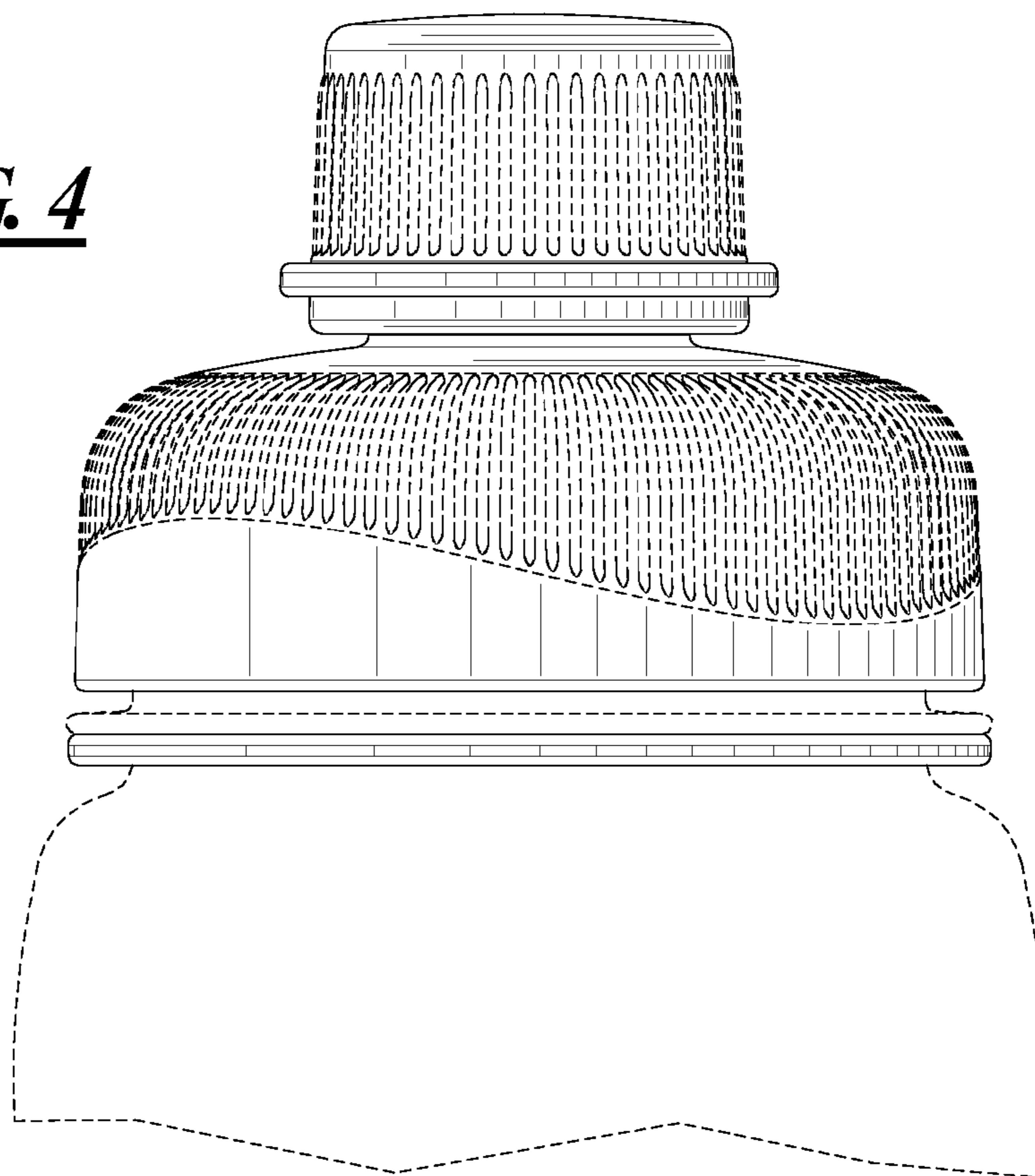
**FIG. 2**



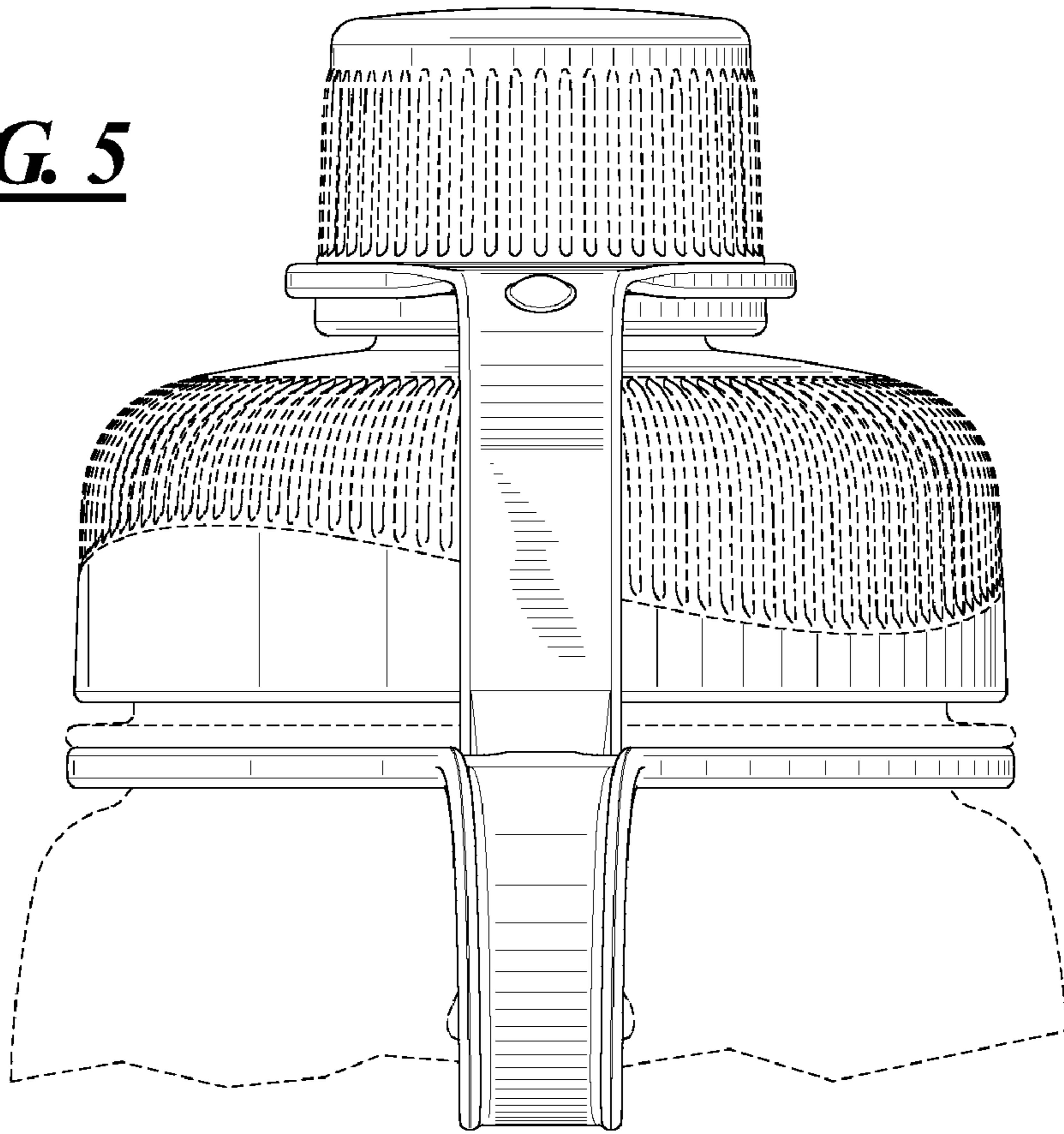
**FIG. 3**



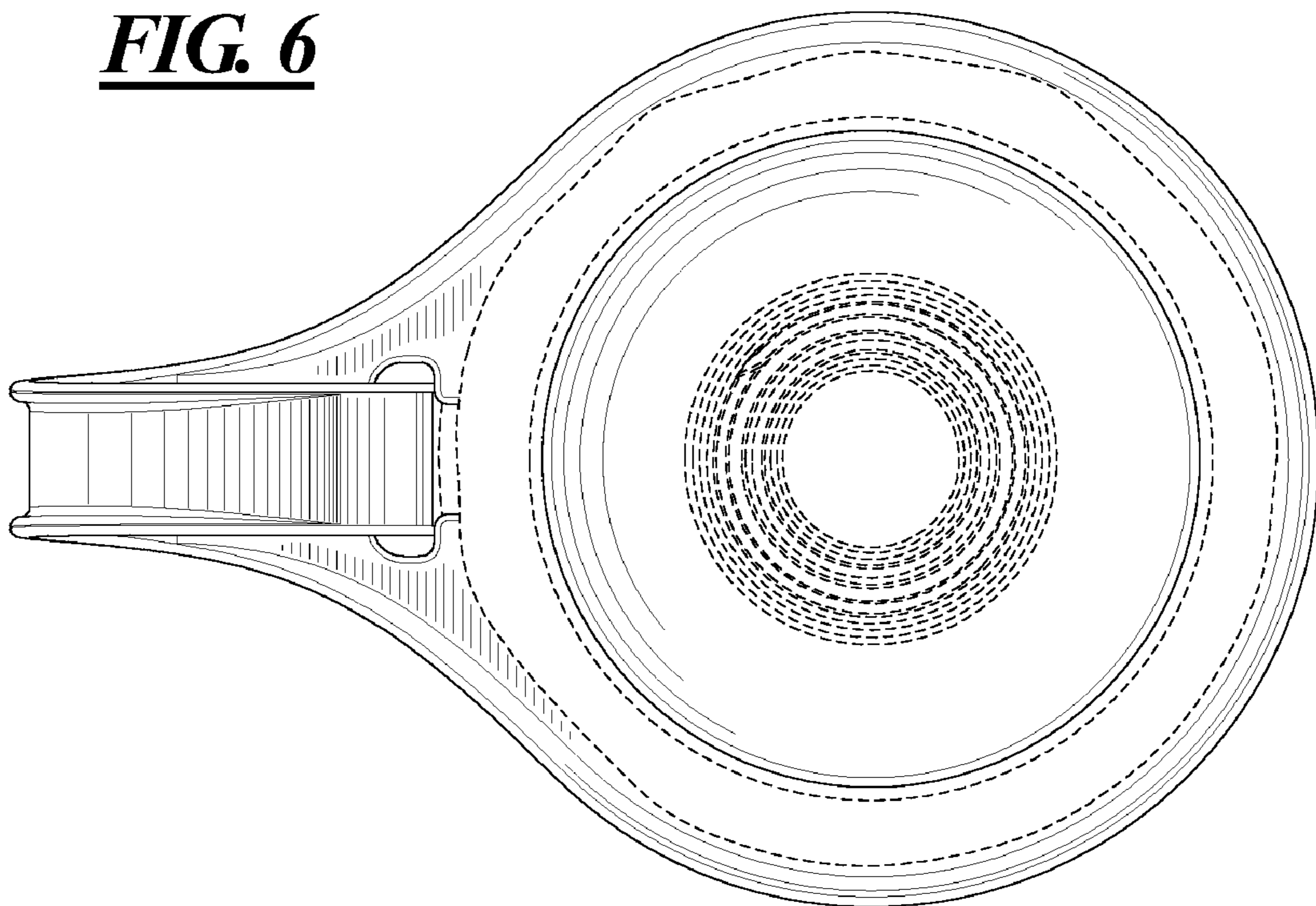
**FIG. 4**



**FIG. 5**

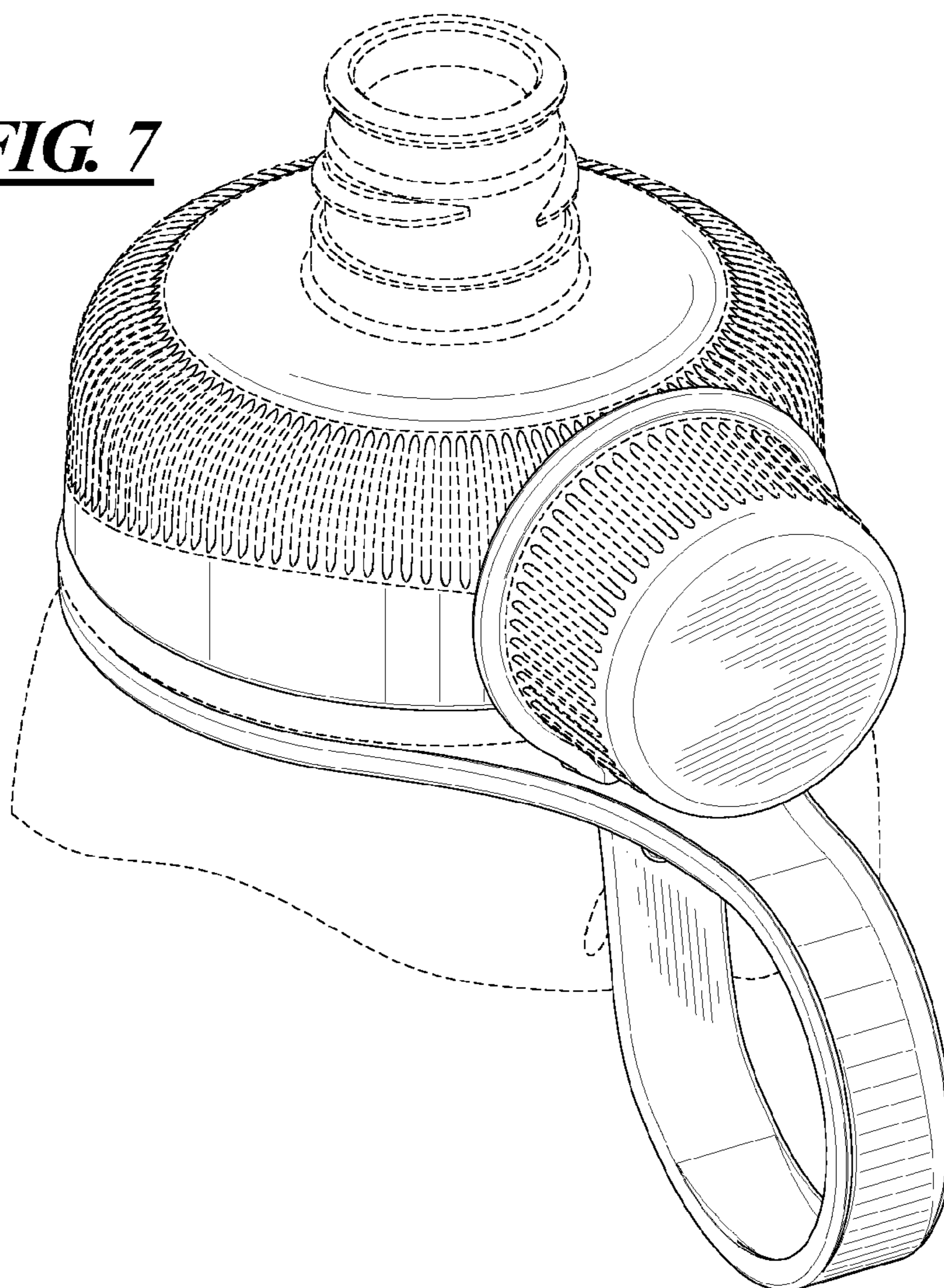


**FIG. 6**

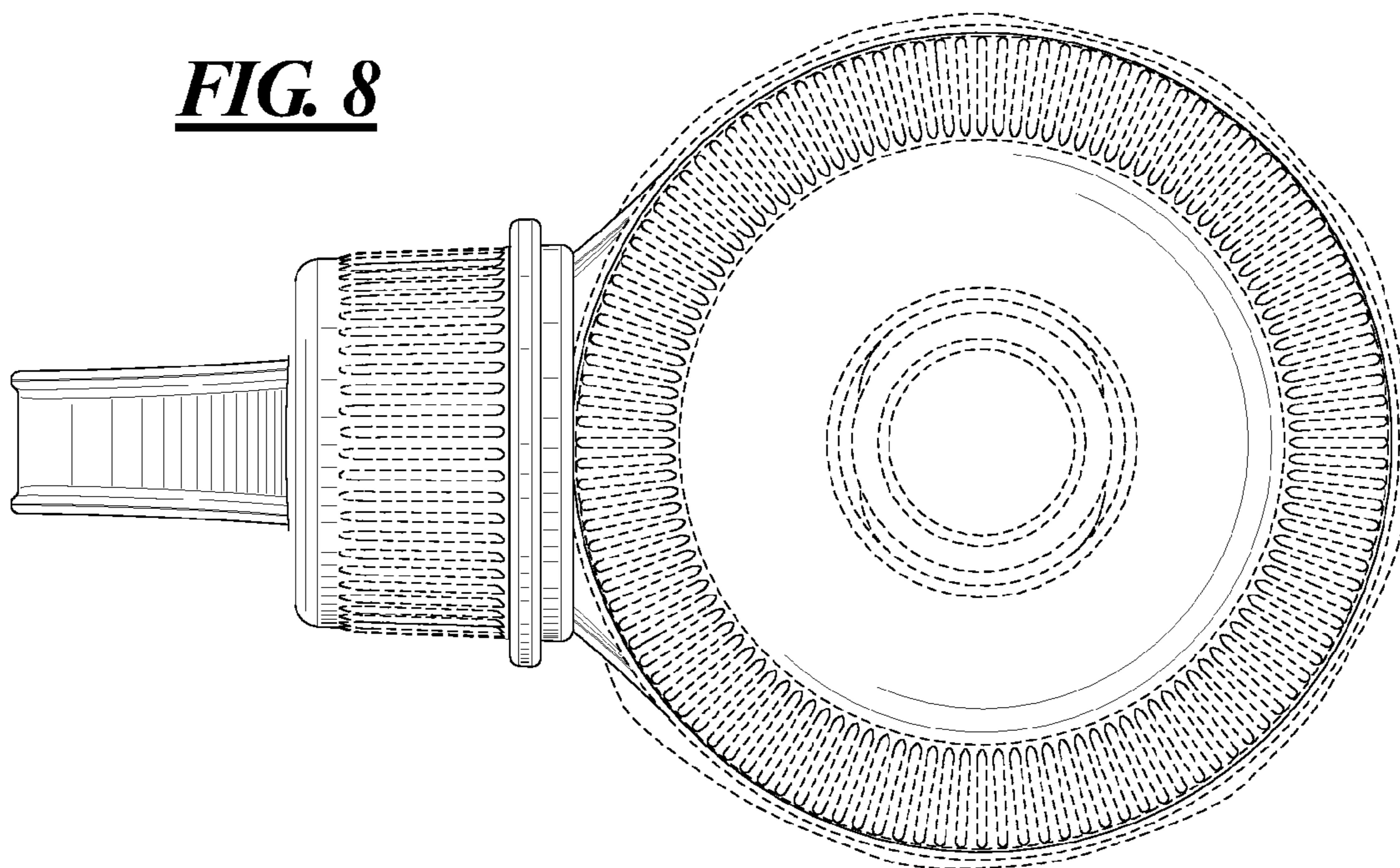


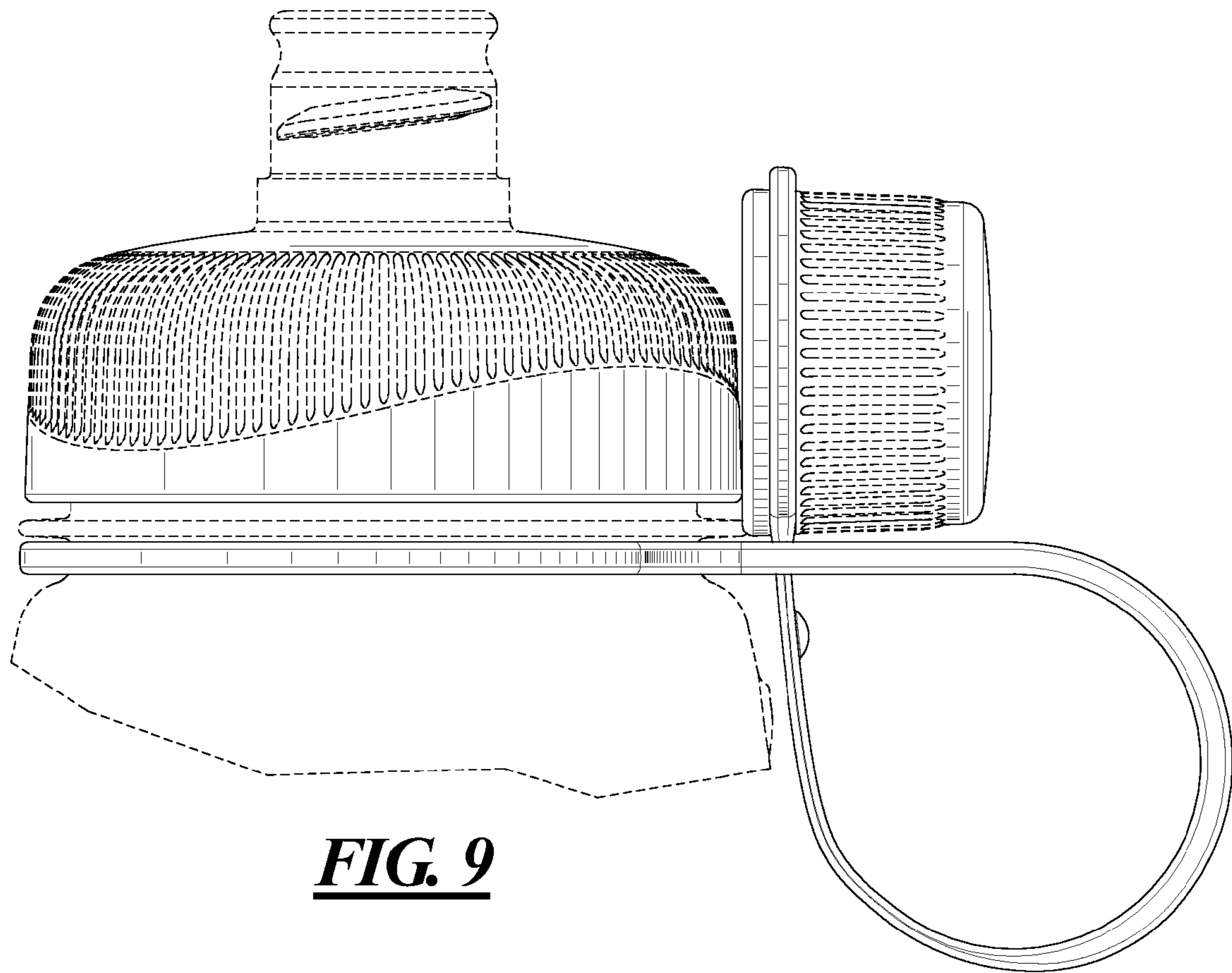


**FIG. 7**

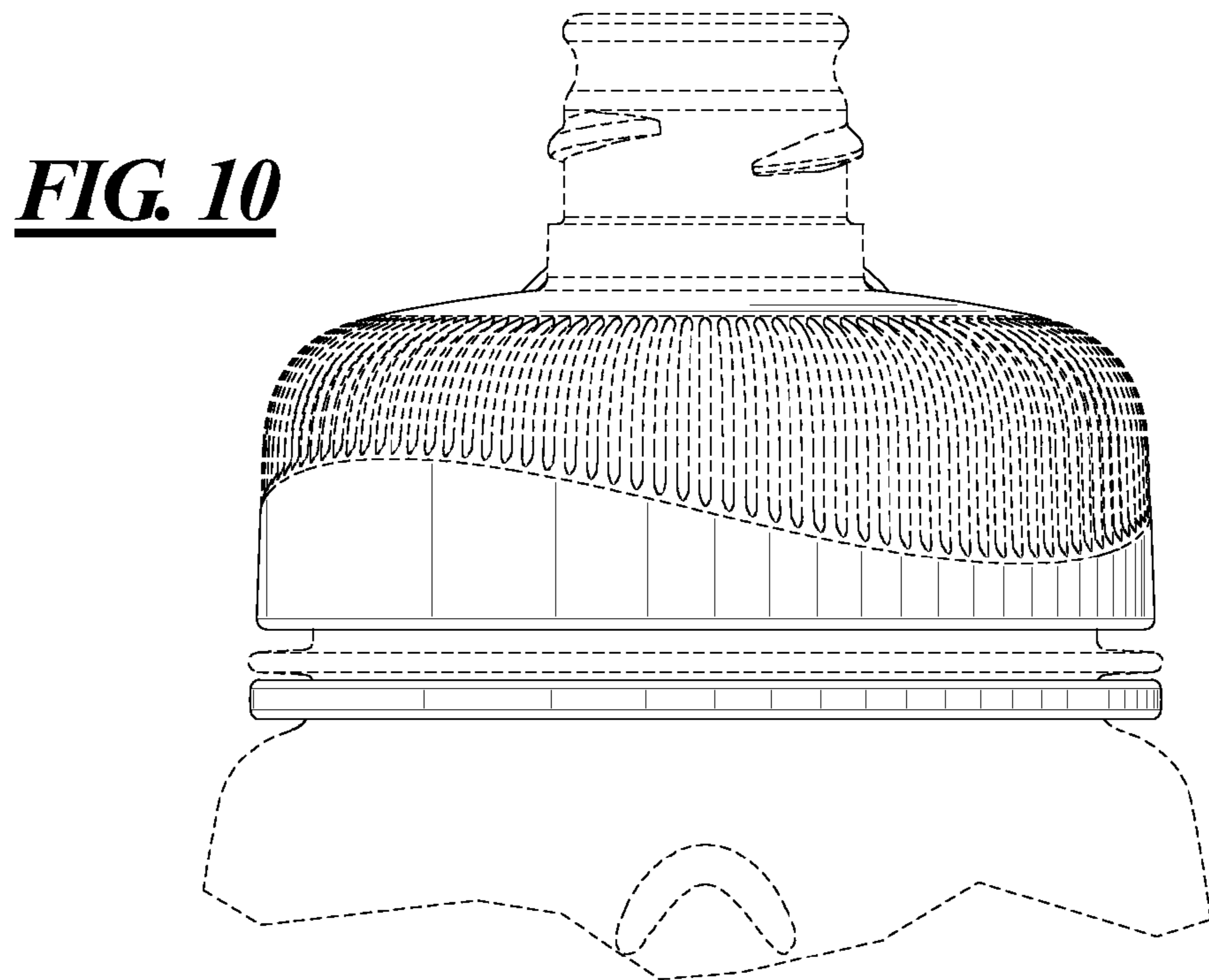


**FIG. 8**



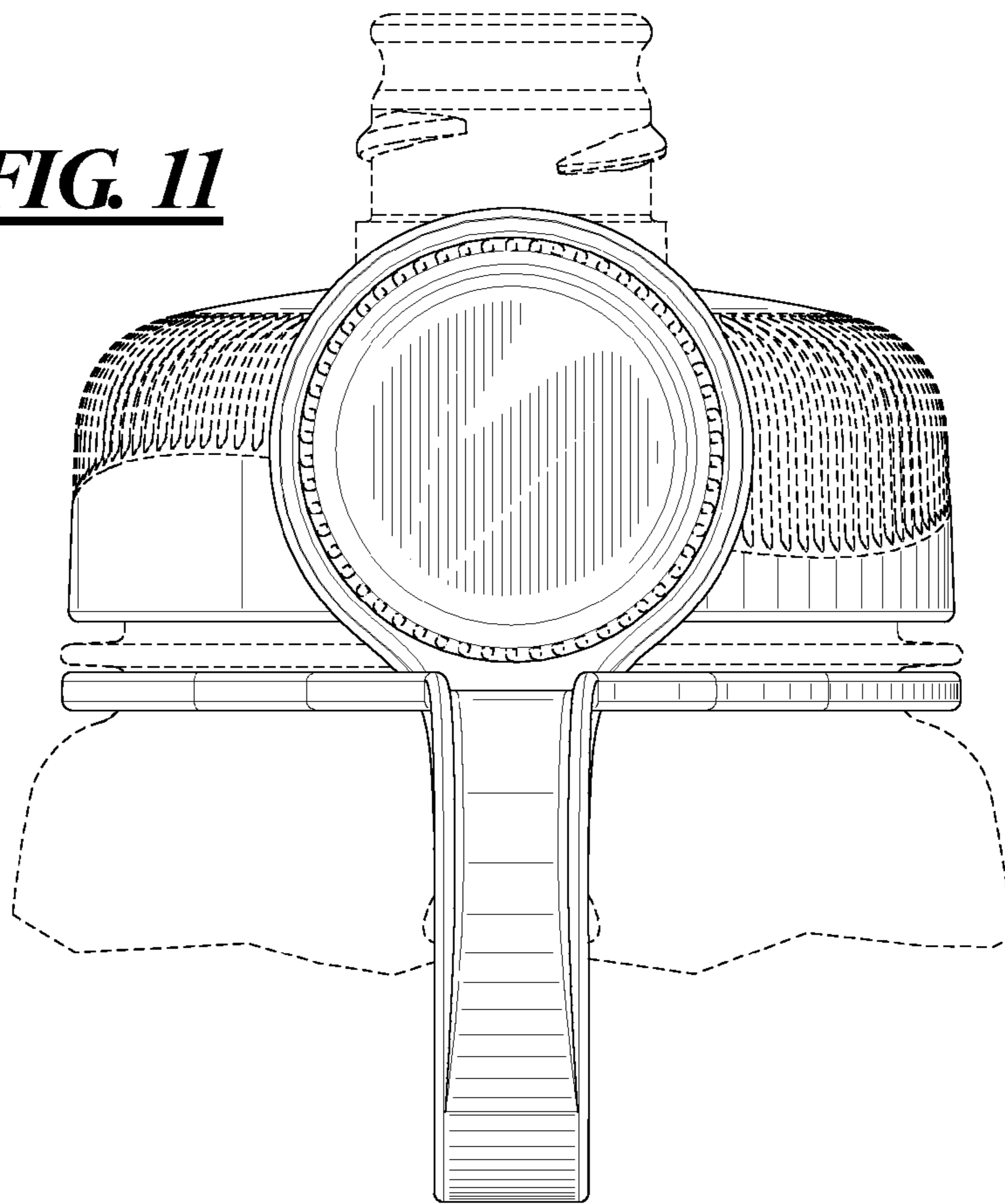


**FIG. 9**



**FIG. 10**

**FIG. 11**



**FIG. 12**

