



US00D610001S

(12) **United States Design Patent**
McAlpine

(10) **Patent No.:** **US D610,001 S**

(45) **Date of Patent:** **** Feb. 16, 2010**

(54) **CONTAINER WITH REMOVABLE DRAWER**

4,341,338 A * 7/1982 Arnold 229/122.21
D265,989 S * 8/1982 Harris et al. D13/184
4,436,243 A * 3/1984 Nason et al. 229/120.17

(76) Inventor: **Gilroy Clements McAlpine, c/o**
Chemcraft (Pty) Limited, Factory No. 2,
507 Pretoria Road, Fairlands, Benoni,
1501 (ZA)

(Continued)

FOREIGN PATENT DOCUMENTS

WO WO 3051724 A1 * 6/2003

(Continued)

Primary Examiner—Robert M Spear
Assistant Examiner—Karen Acker
(74) *Attorney, Agent, or Firm*—Ostrolenk Faber LLP

(**) Term: **14 Years**

(21) Appl. No.: **29/273,036**

(22) Filed: **Feb. 23, 2007**

(51) **LOC (9) Cl.** **09-03**

(52) **U.S. Cl.** **D9/432**

(58) **Field of Classification Search** D9/430-433,
D9/414-418, 420-429, 560, 737, 756, 631,
D9/636, 640, 642; D3/273, 302, 304, 305,
D3/307, 309-312, 314, 317, 318, 901, 905;
206/421, 454, 457, 775-778, 784, 822; 220/500,
220/523-529, 552, 555; 229/100, 103.3,
229/104-106, 108, 108.1, 109, 110, 111,
229/112, 117.09, 117.12, 117.15, 120, 125.015,
229/160.1, 162.1, 182.1, 215, 247, 406, 407,
229/902, 920, 922, 930, 942, 191, 192; D2/731,
D2/748; D6/396, 407, 629, 633

See application file for complete search history.

(57) **CLAIM**

The ornamental design for a container with removable drawer, as shown and described.

DESCRIPTION

FIG. 1 is an isometric view of a container with removable drawer shown opened with the drawer removed;

FIG. 2 is an isometric view of a container with removable drawer shown with the drawer partially inserted;

FIG. 3 is an isometric view of a container with removable drawer shown opened with the drawer inserted;

FIG. 4 is an isometric view of a container with removable drawer shown closed with the drawer inserted;

FIG. 5 is a top view thereof;

FIG. 6 is a bottom view thereof;

FIG. 7 is one end elevation view thereof;

FIG. 8 is an one opposite end elevation view thereof;

FIG. 9 is an elevation view of one side thereof; and,

FIG. 10 is an elevation view of the opposite side thereof.

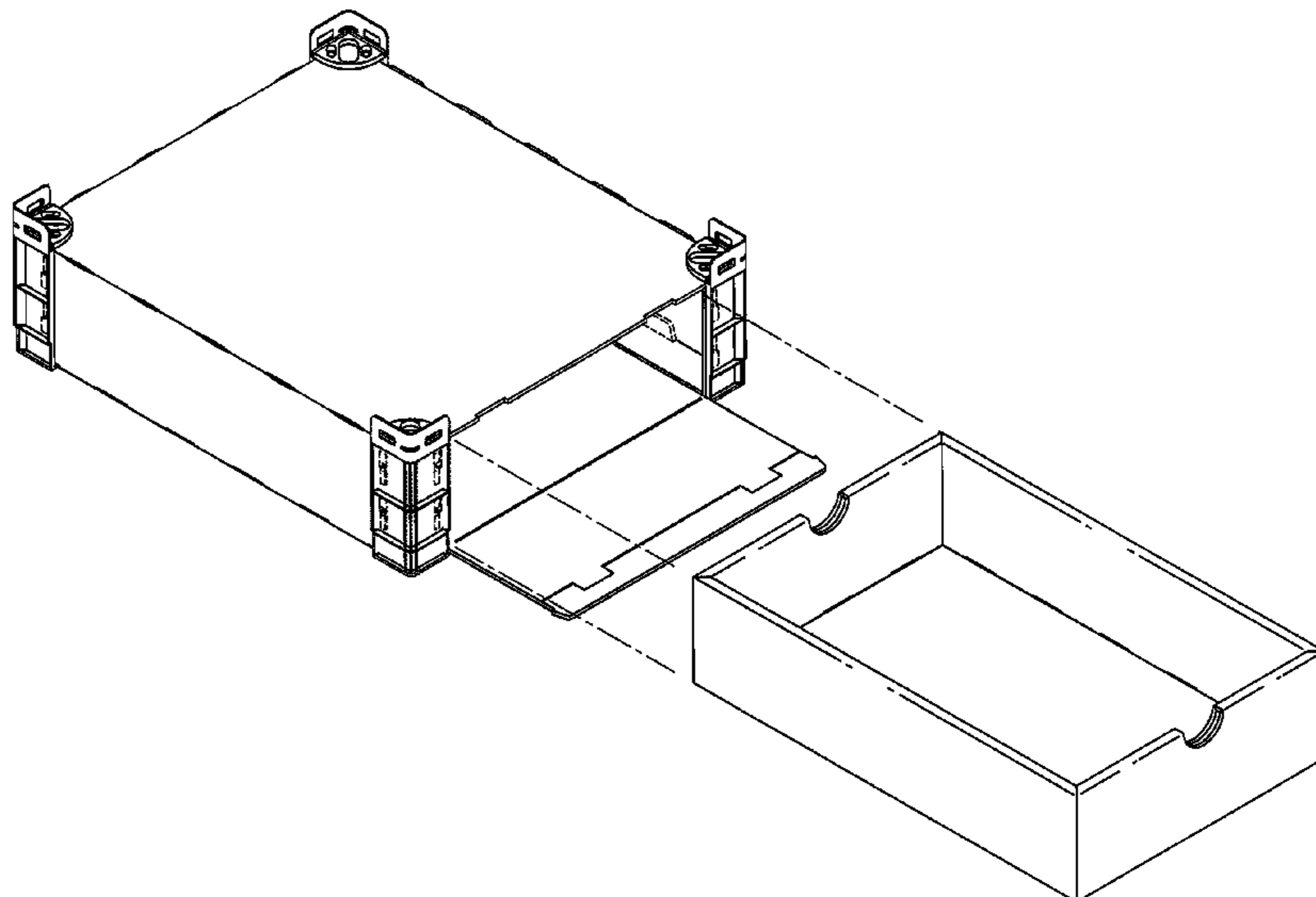
The broken and phantom lines in FIG. 1 are used to show how the design is assembled, delimit areas of the detail views, and form no part of the claimed design.

(56) **References Cited**

U.S. PATENT DOCUMENTS

247,249 A * 9/1881 Haff 312/122
1,505,284 A * 8/1924 O'Hare 220/6
1,573,112 A * 2/1926 Gerding et al. 217/69
2,036,460 A * 4/1936 Conescu 229/143
2,525,838 A * 10/1950 Smith et al. 217/16
2,615,613 A * 10/1952 Reeser 229/117.13
2,738,564 A * 3/1956 Guinane 432/259
3,713,579 A * 1/1973 Chaffers 206/509
3,949,931 A * 4/1976 Hall 229/102
3,974,898 A * 8/1976 Tullis et al. 190/3
4,120,444 A * 10/1978 Gray 229/198.1
4,236,664 A * 12/1980 Hartelmuller 229/191

1 Claim, 8 Drawing Sheets



US D610,001 S

Page 2

U.S. PATENT DOCUMENTS

4,809,851 A * 3/1989 Oestreich et al. 206/599
D323,294 S * 1/1992 Williams D9/432
D336,427 S * 6/1993 Mainiero D9/423
D339,062 S * 9/1993 Williams D9/432
D345,847 S * 4/1994 Schuchard D3/305
5,638,973 A * 6/1997 Dewey et al. 220/4.33
D383,906 S * 9/1997 Lev-Ran D3/314
D390,781 S * 2/1998 Neusy D9/422
5,967,533 A * 10/1999 Alexander 280/47.35
5,996,828 A * 12/1999 Cheyn 220/4.33
D441,644 S * 5/2001 Pero et al. D9/456
6,241,148 B1 * 6/2001 Schwimmer 229/122.21

D466,690 S * 12/2002 Walsh D34/38
D488,620 S * 4/2004 McAlpine et al. D3/318
6,732,858 B1 * 5/2004 Chang Ou 206/278
6,749,077 B1 * 6/2004 McAlpine et al. 220/4.29
D493,303 S * 7/2004 Perella et al. D6/446
D502,647 S * 3/2005 McAlpine et al. D9/432
D511,248 S * 11/2005 Premper D3/321
7,249,674 B2 * 7/2007 Mu et al. 206/278.1
2005/0082357 A1 * 4/2005 McAlpine et al. 229/198.1

FOREIGN PATENT DOCUMENTS

WO WO 2007052215 A1 * 5/2007

* cited by examiner

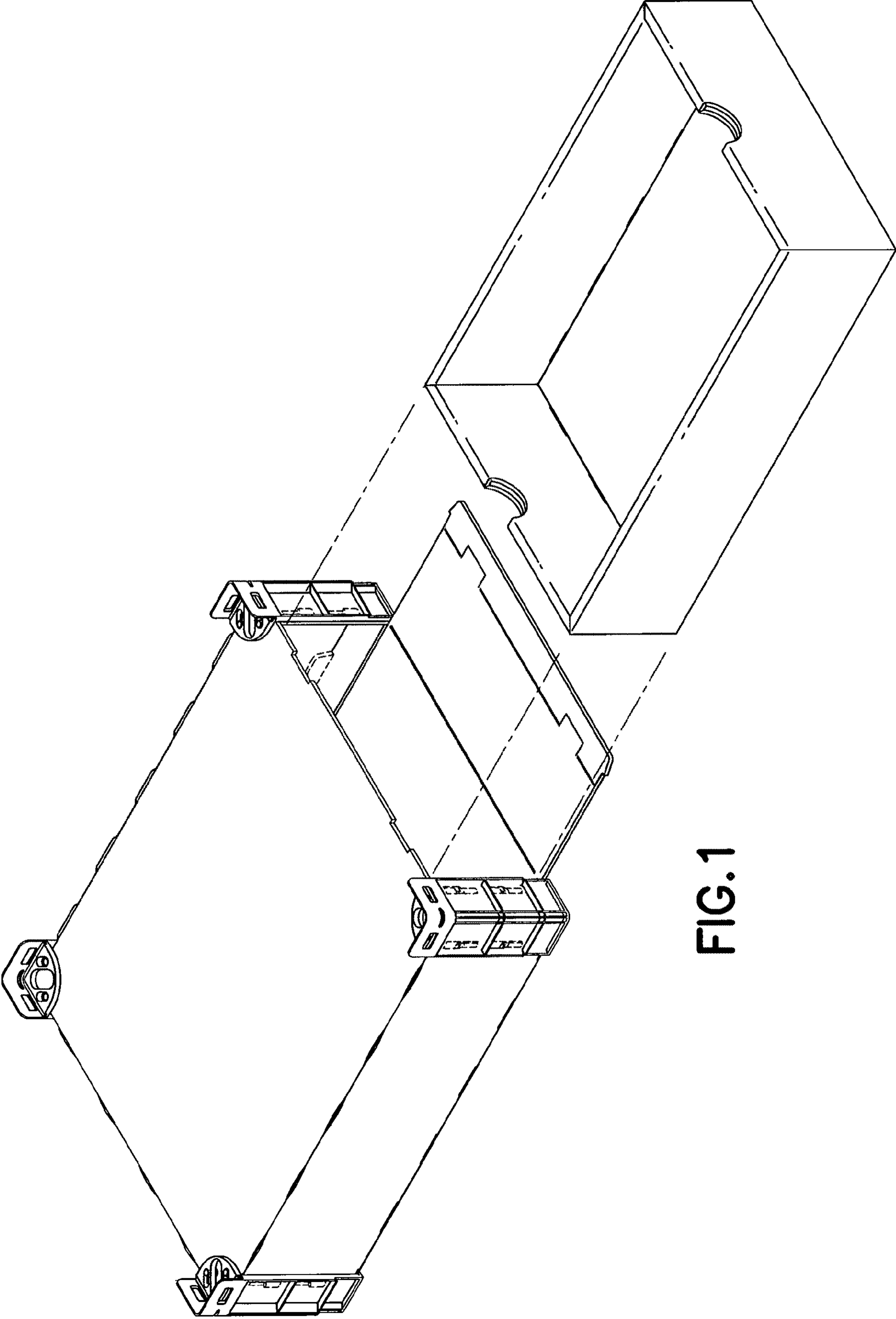


FIG. 1

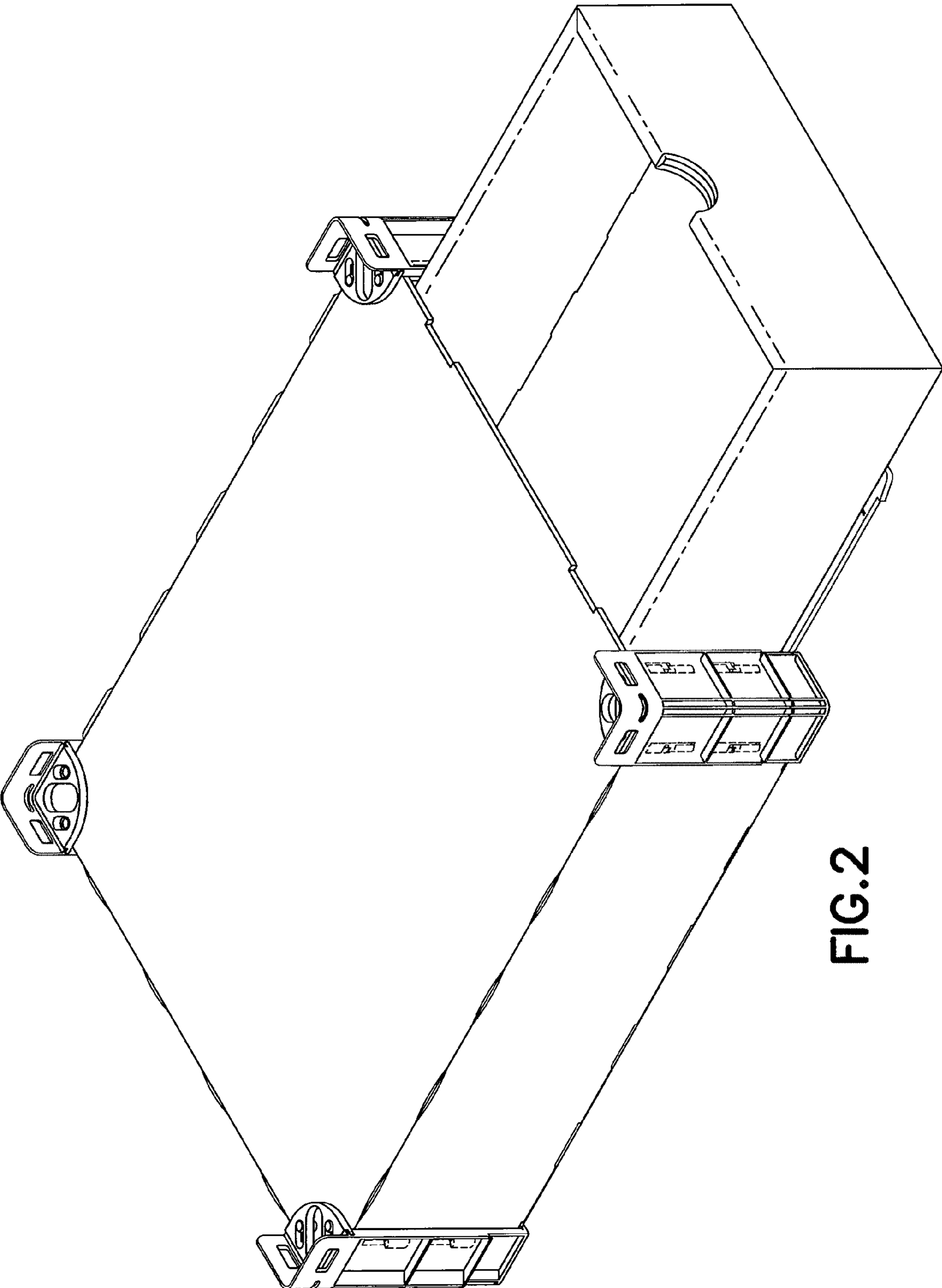


FIG.2

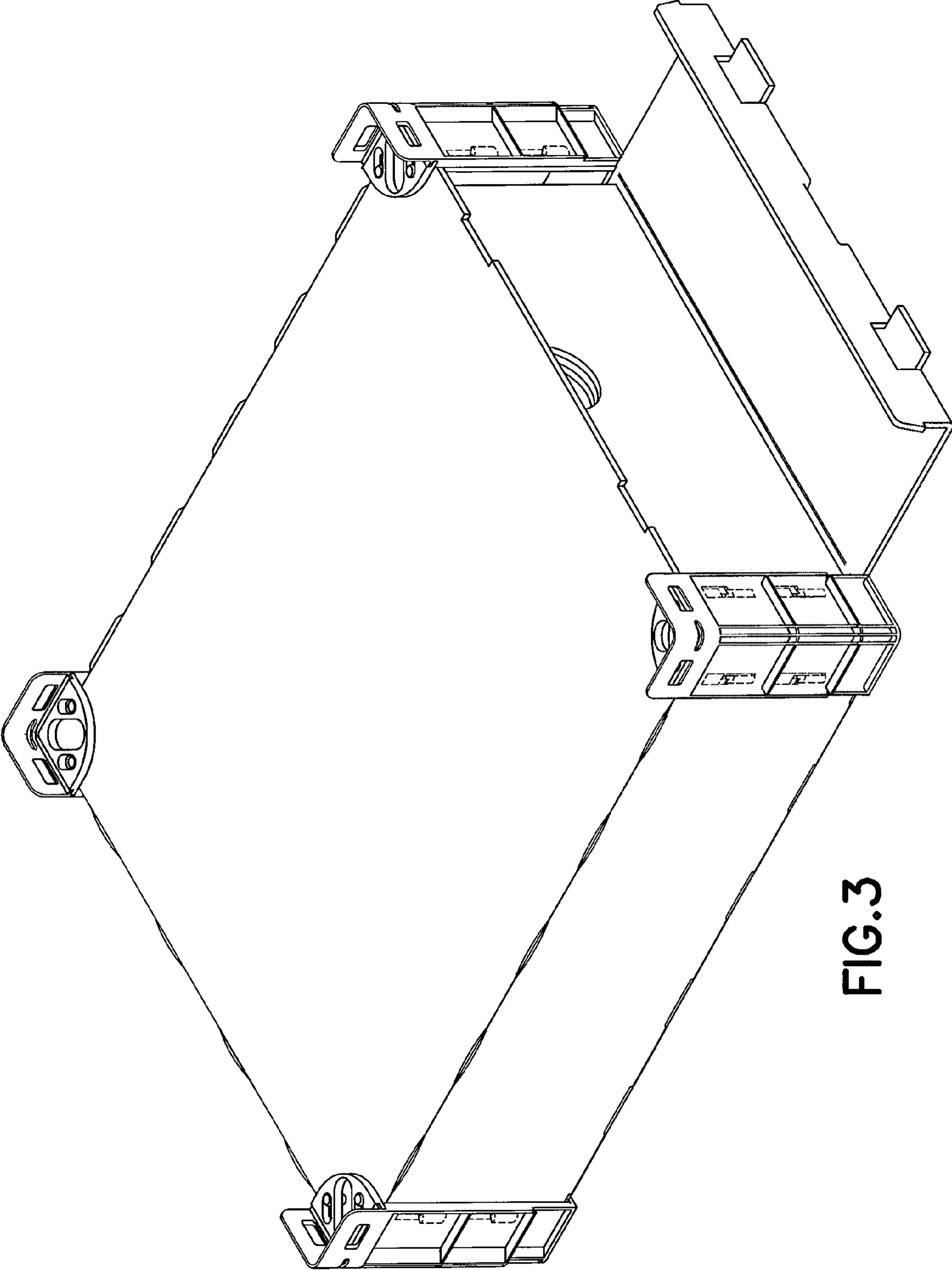


FIG. 3

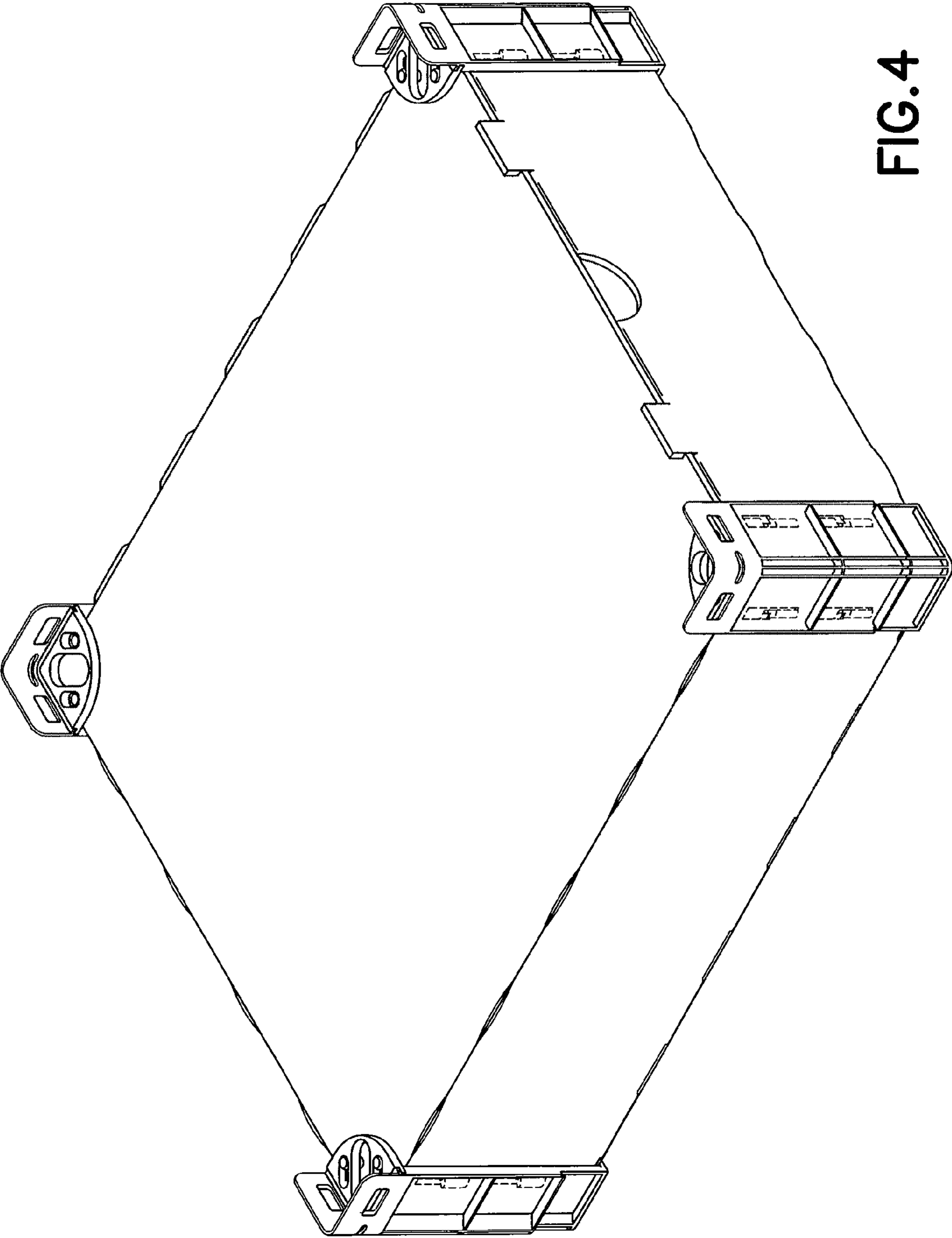


FIG.4

FIG. 5

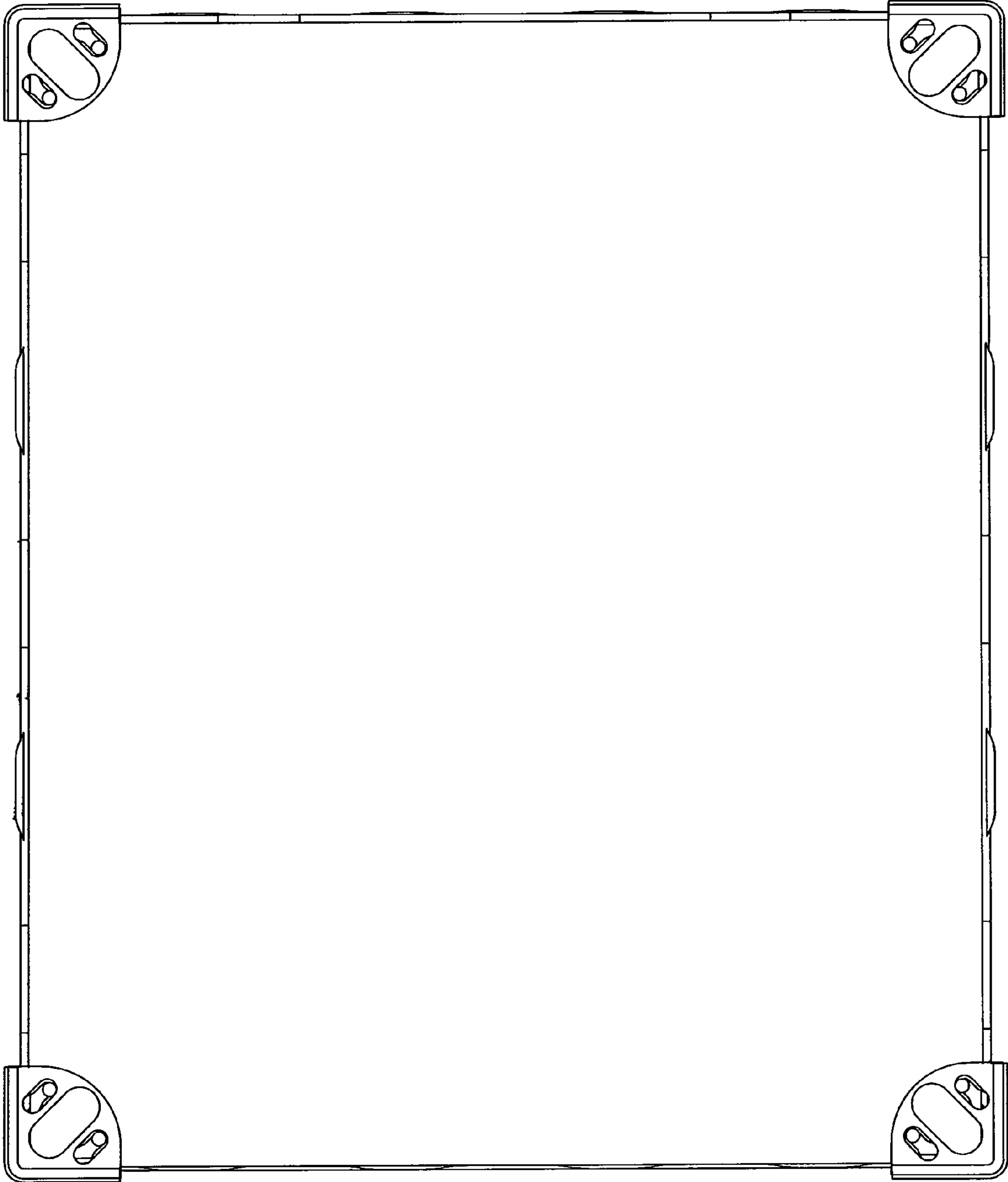
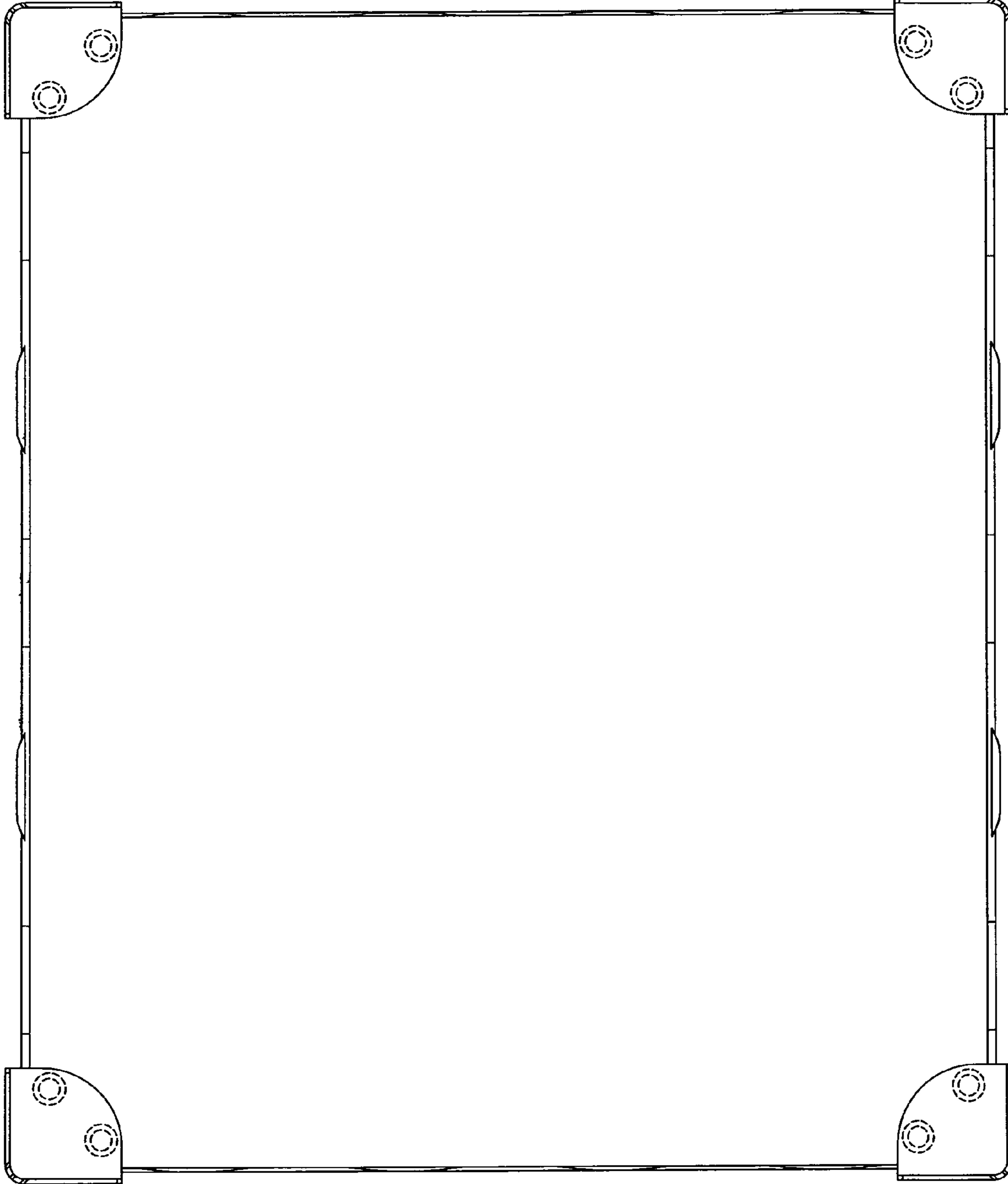


FIG. 6



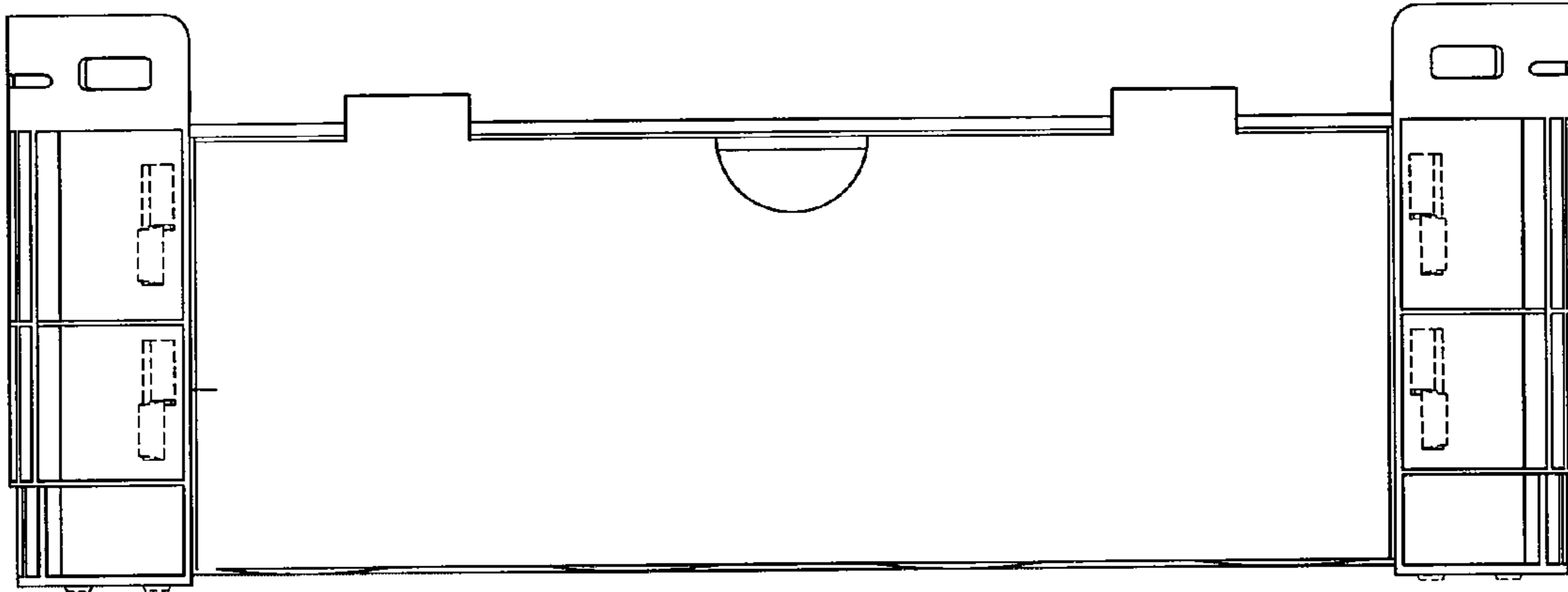


FIG. 7

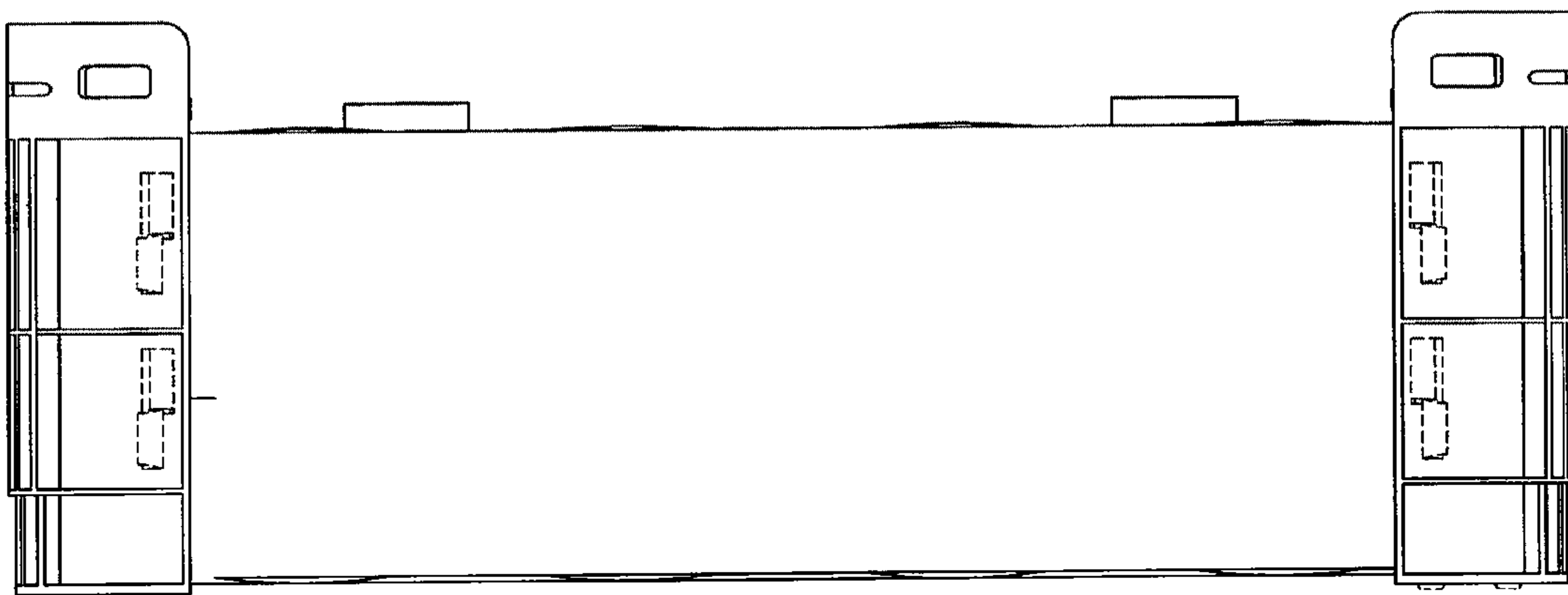


FIG. 8

FIG. 9

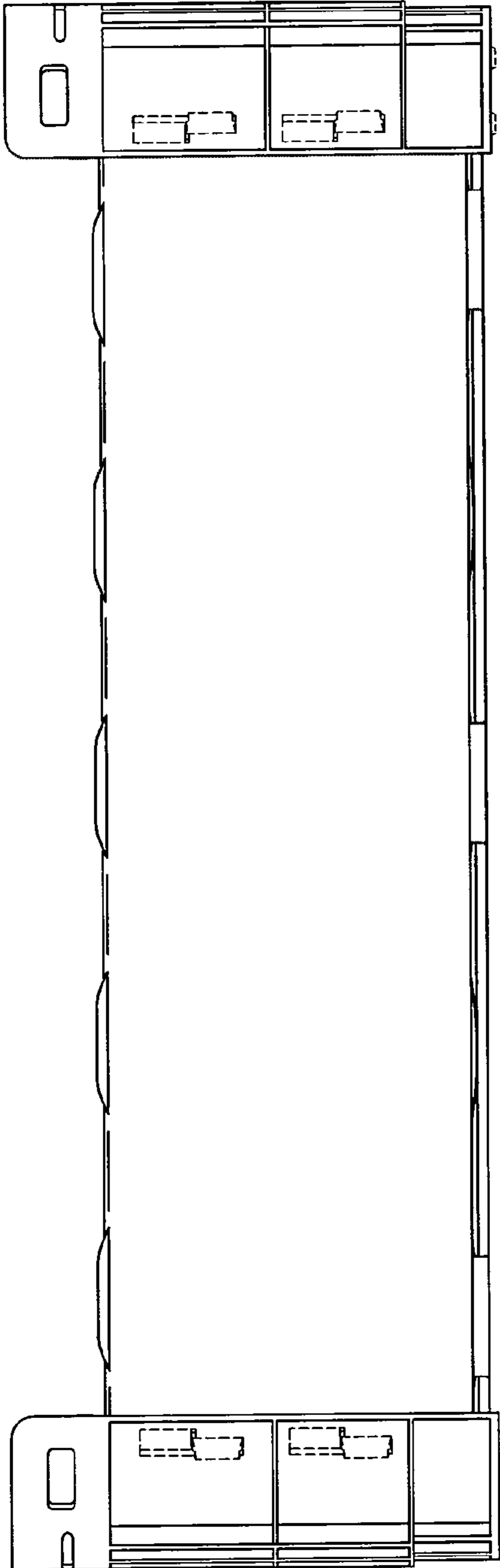


FIG. 10

