



US00D609999S

(12) **United States Design Patent**
Andersson

(10) **Patent No.:** **US D609,999 S**

(45) **Date of Patent:** **** Feb. 16, 2010**

(54) **LOCKING NUT**

(75) Inventor: **Mattias Andersson, Östersund (SE)**

(73) Assignee: **Nord-Lock AB, Mattmar (SE)**

(**) Term: **14 Years**

(21) Appl. No.: **29/323,462**

(22) Filed: **Aug. 26, 2008**

(30) **Foreign Application Priority Data**

Feb. 27, 2008 (EM) 000886775

(51) **LOC (9) Cl.** **08-08**

(52) **U.S. Cl.** **D8/399**

(58) **Field of Classification Search** D8/397,
D8/399, 394, 382, 349, 8; D15/138; D23/262;
411/432, 108, 353, 404, 410, 919, 147, 957
See application file for complete search history.

(56) **References Cited**

U.S. PATENT DOCUMENTS

D26,801 S *	3/1897	Spear	D8/399
D32,218 S *	2/1900	Dougherty	D8/399
D32,492 S *	4/1900	Dickason	D8/399
D43,713 S *	3/1913	Campbell	D8/397
2,001,956 A *	5/1935	England	470/42
2,037,586 A *	4/1936	Olson	411/188
D233,138 S *	10/1974	Vogel	D9/453
4,134,438 A *	1/1979	Frieberg et al.	411/163
D263,679 S *	4/1982	Frieberg	D8/399
D263,791 S *	4/1982	Frieberg	D8/399

D263,792 S *	4/1982	Frieberg	D8/399
D269,852 S *	7/1983	Frieberg	D8/399
D273,562 S *	4/1984	Frieberg	D8/399
D276,310 S *	11/1984	Frieberg	D8/399
D311,131 S *	10/1990	Saito	D8/397
5,011,351 A *	4/1991	Terry	411/144
D397,320 S *	8/1998	Hoagland, IV	D12/197
6,220,804 B1 *	4/2001	Pamer et al.	411/180
D524,149 S *	7/2006	Kim	D8/397
D568,149 S *	5/2008	Riedel	D8/397
D582,763 S *	12/2008	Riedel et al.	D8/397
2002/0136617 A1 *	9/2002	Imahigashi	411/533
2004/0042872 A1 *	3/2004	Ward et al.	411/181

* cited by examiner

Primary Examiner—Robert M Spear

Assistant Examiner—Cynthia Underwood

(74) *Attorney, Agent, or Firm*—Schwegman, Lundberg & Woessner, P.A.

(57) **CLAIM**

The ornamental design for a locking nut, as shown and described.

DESCRIPTION

FIG. 1 is a top perspective view of a locking nut according to my new design;

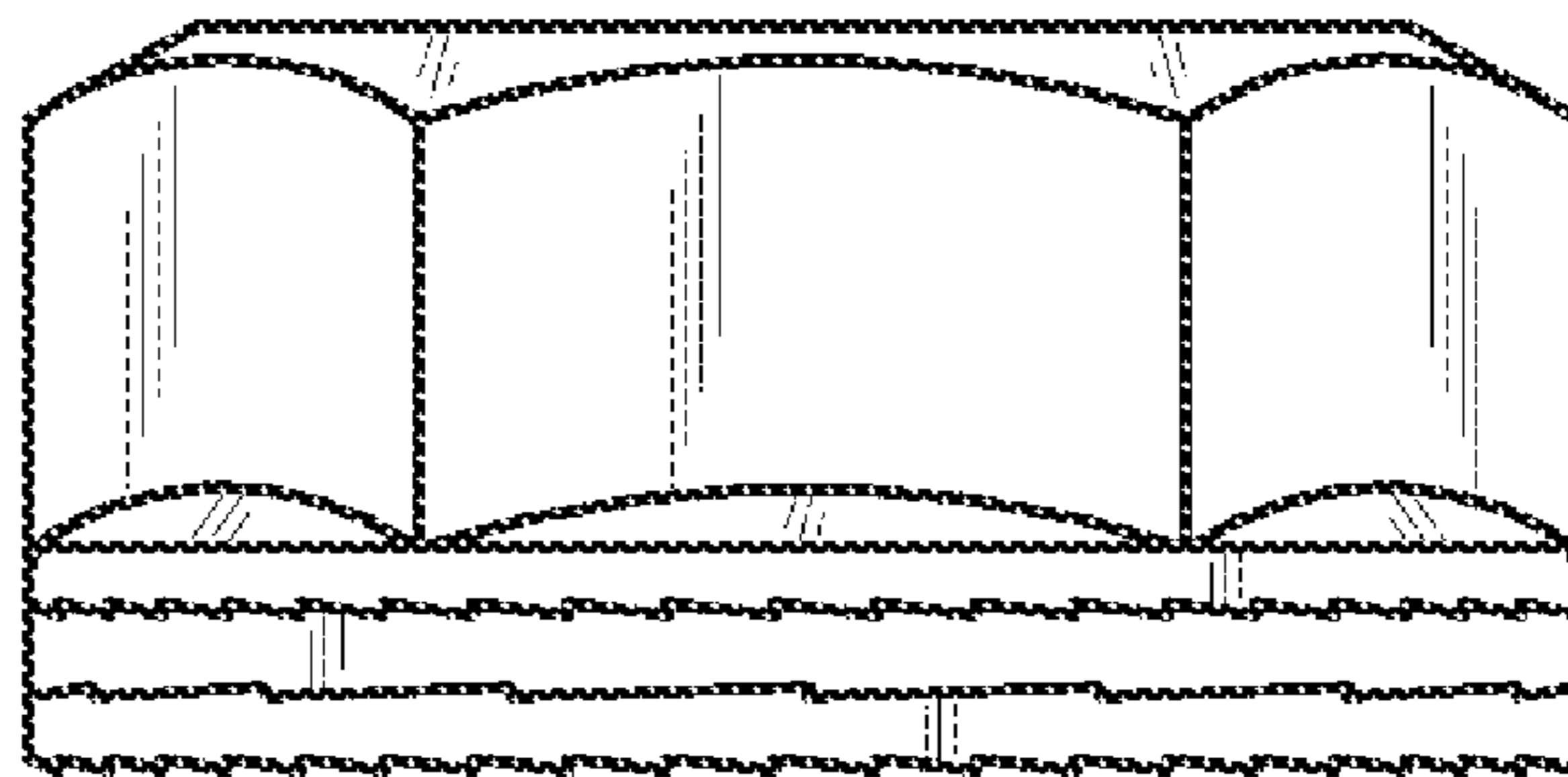
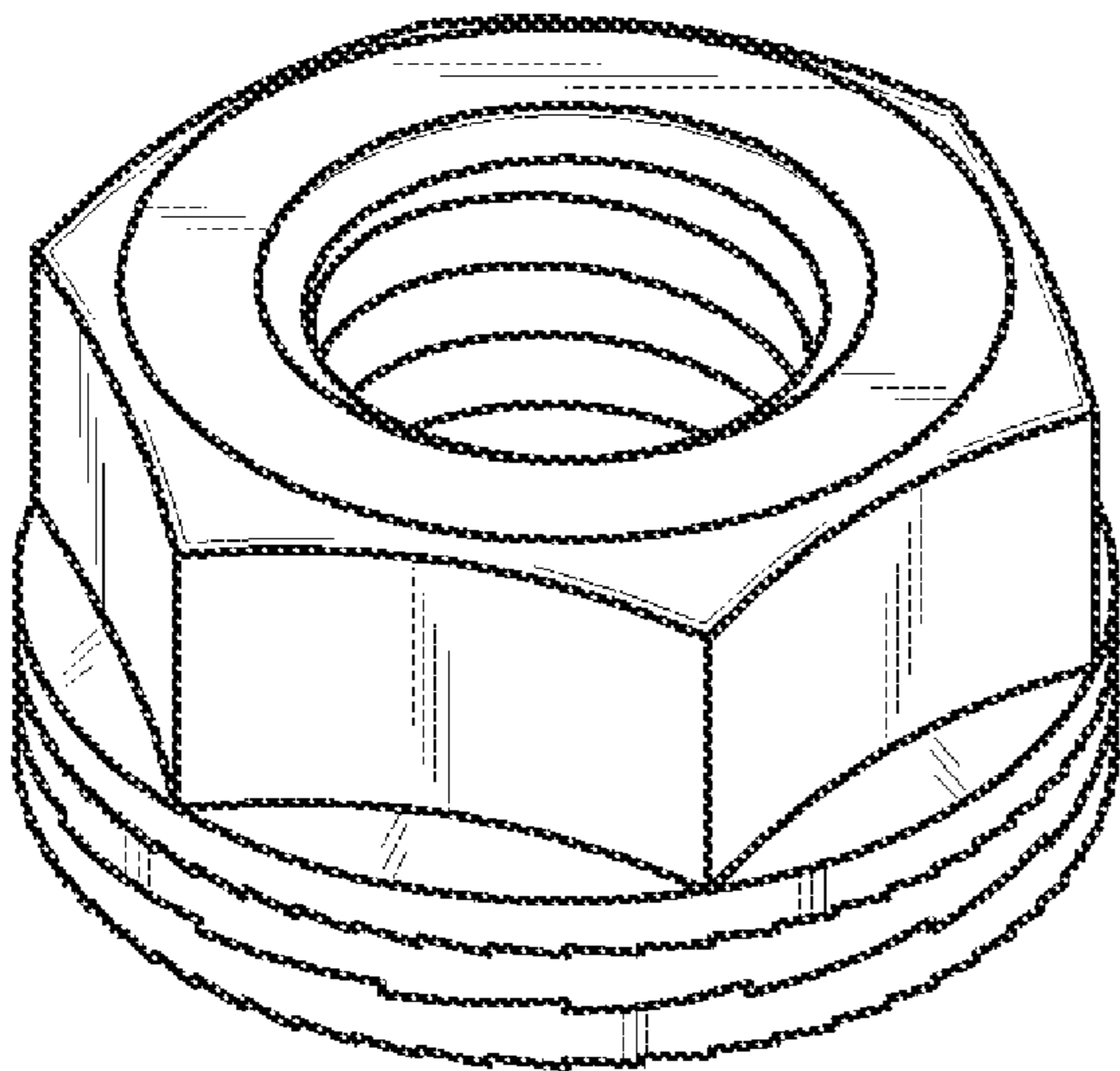
FIG. 2 is a side view thereof;

FIG. 3 is another side view thereof;

FIG. 4 is a top plan view thereof; and,

FIG. 5 is a bottom plan view thereof.

1 Claim, 2 Drawing Sheets



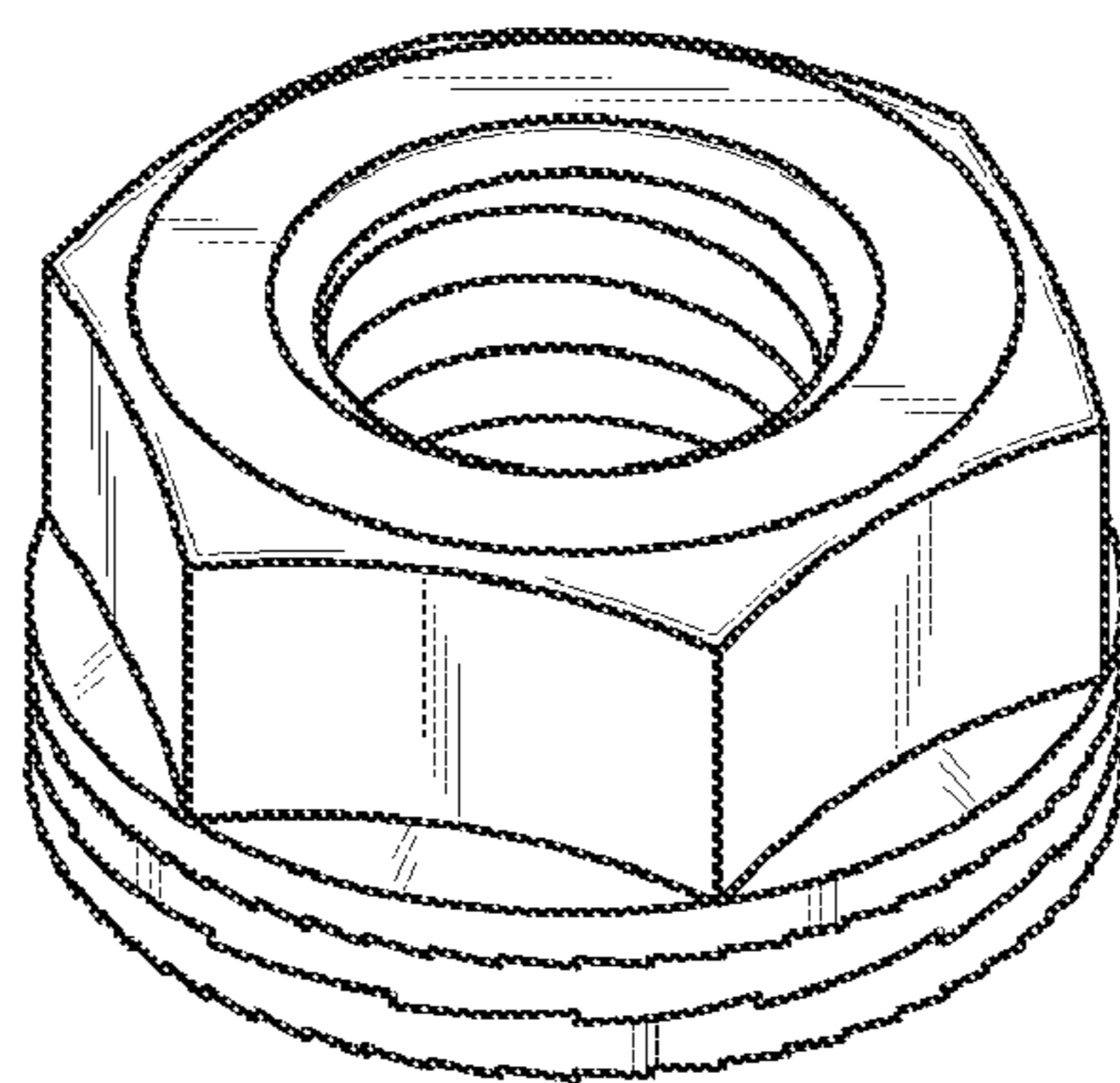


FIG. 1

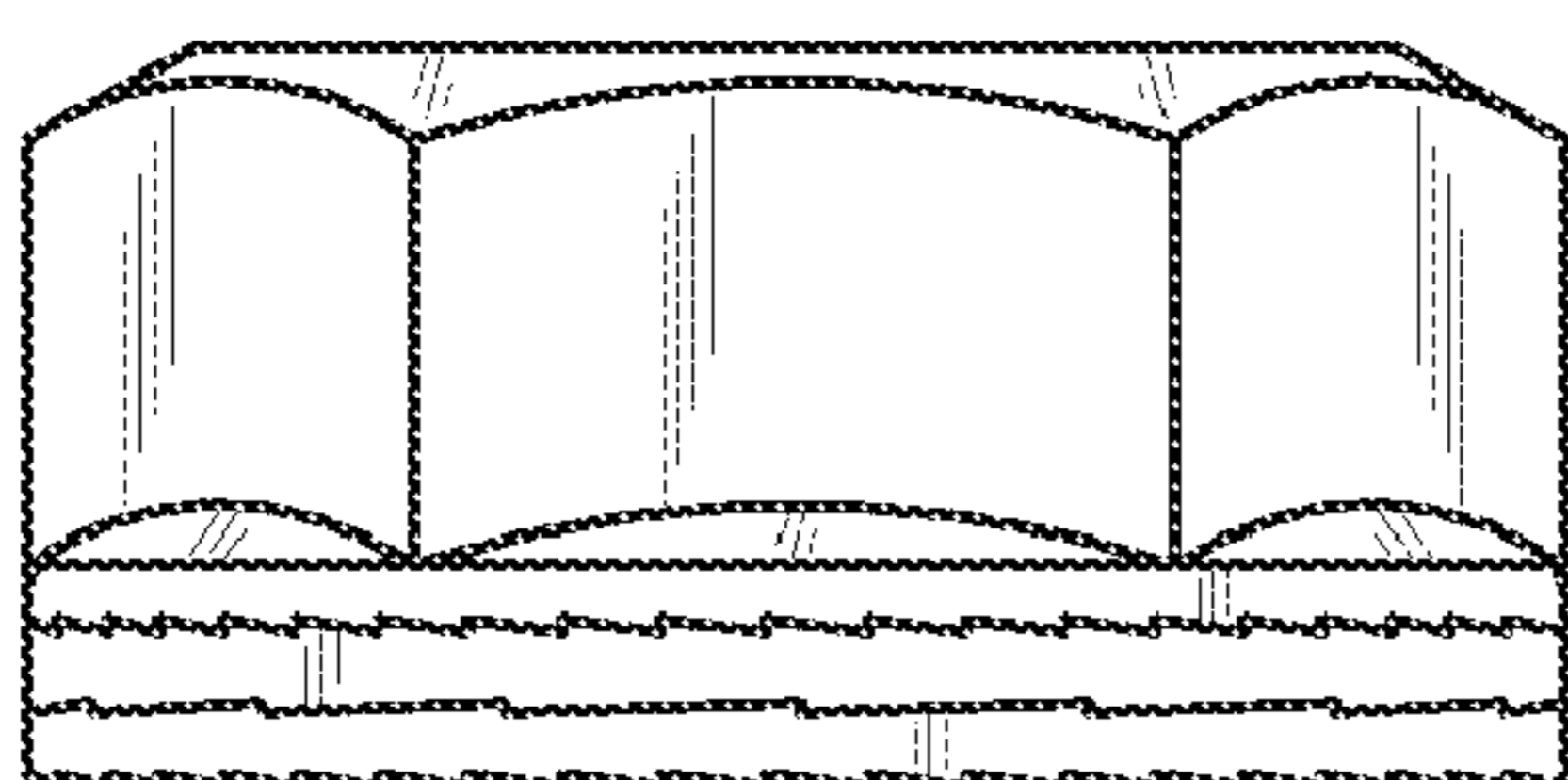


FIG. 2

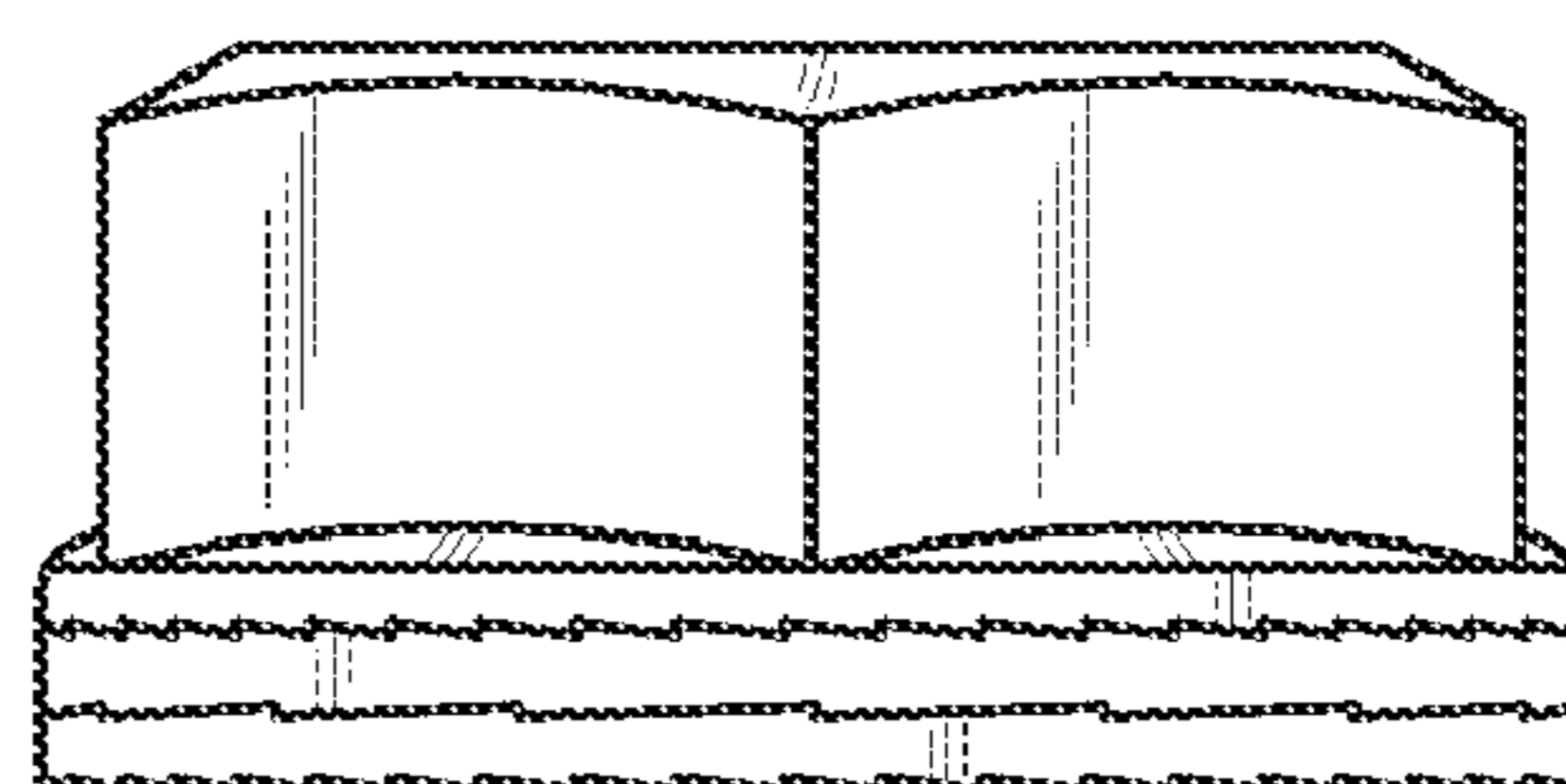


FIG. 3

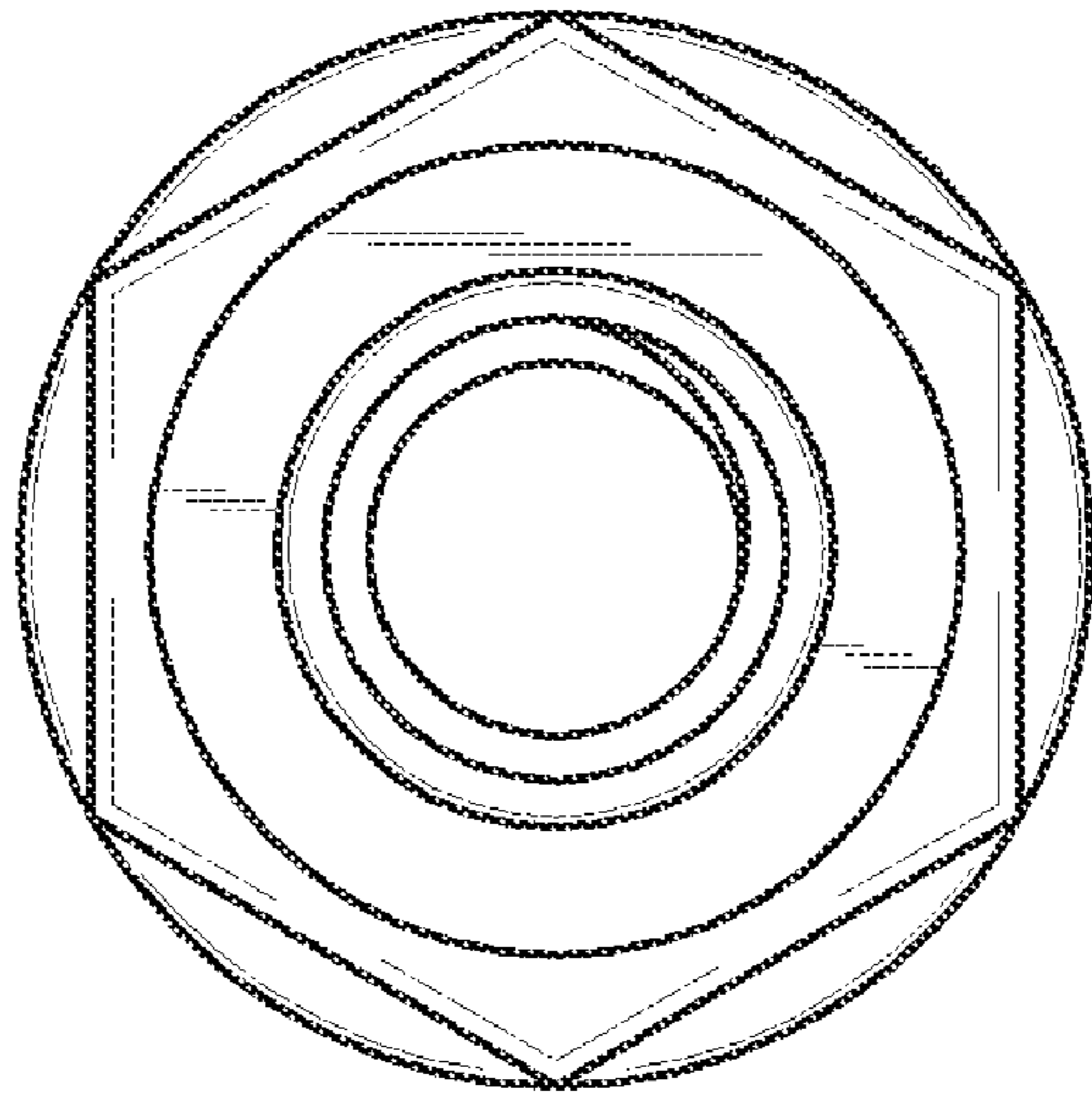


FIG. 4

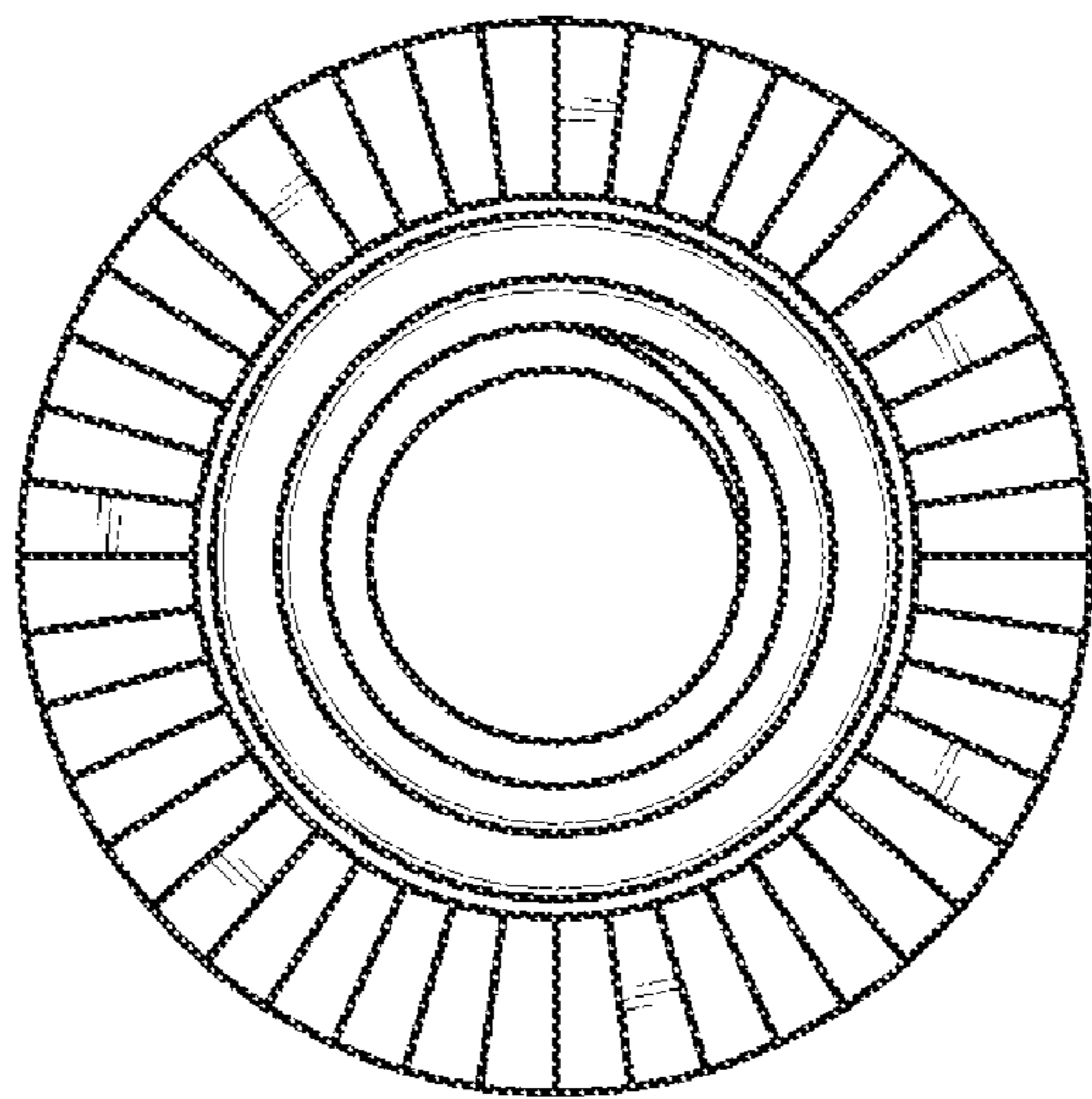


FIG. 5

UNITED STATES PATENT AND TRADEMARK OFFICE
CERTIFICATE OF CORRECTION

PATENT NO. : Des. 609,999 S
APPLICATION NO. : 29/323462
DATED : February 16, 2010
INVENTOR(S) : Mattias Andersson

Page 1 of 4

It is certified that error appears in the above-identified patent and that said Letters Patent is hereby corrected as shown below:

Delete title page showing an illustrative figure and substitute the attached title page therefor.

Delete drawing sheets 1 and 2, substitute the attached drawing sheets 1 and 2 therefor.

Signed and Sealed this

Sixth Day of July, 2010

A handwritten signature in black ink that reads "David J. Kappos". The signature is written in a cursive, slightly slanted style.

David J. Kappos
Director of the United States Patent and Trademark Office

(12) **United States Design Patent**
Andersson

(10) **Patent No.:** **US D609,999 S**
(45) **Date of Patent:** **** Feb. 16, 2010**

(54) **LOCKING NUT**

(75) Inventor: **Mattias Andersson, Östersund (SE)**

(73) Assignee: **Nord-Lock AB, Mattmar (SE)**

(**) Term: **14 Years**

(21) Appl. No.: **29/323,462**

(22) Filed: **Aug. 26, 2008**

(30) **Foreign Application Priority Data**

Feb. 27, 2008 (EM) 000886775

(51) **LOC (9) Cl.** **08-08**

(52) **U.S. Cl.** **D8/399**

(58) **Field of Classification Search** **D8/397,**
D8/399, 394, 382, 349, 8; D15/138; D23/262;
411/432, 108, 353, 404, 410, 919, 147, 957
See application file for complete search history.

(56) **References Cited**

U.S. PATENT DOCUMENTS

D26,801 S *	3/1897	Spear	D8/399
D32,218 S *	2/1900	Dougherty	D8/399
D32,492 S *	4/1900	Dickason	D8/399
D43,713 S *	3/1913	Campbell	D8/397
2,001,956 A *	5/1935	England	470/42
2,037,586 A *	4/1936	Olson	411/188
D233,138 S *	10/1974	Vogel	D9/453
4,134,438 A *	1/1979	Friberg et al.	411/163
D263,679 S *	4/1982	Friberg	D8/399
D263,791 S *	4/1982	Friberg	D8/399

D263,792 S *	4/1982	Friberg	D8/399
D269,852 S *	7/1983	Friberg	D8/399
D273,562 S *	4/1984	Friberg	D8/399
D276,310 S *	11/1984	Friberg	D8/399
D311,131 S *	10/1990	Saito	D8/397
5,011,351 A *	4/1991	Terry	411/144
D397,320 S *	8/1998	Hongland, IV	D12/197
6,220,804 B1 *	4/2001	Pamer et al.	411/180
D524,149 S *	7/2006	Kim	D8/397
D568,149 S *	5/2008	Riedel	D8/397
D582,763 S *	12/2008	Riedel et al.	D8/397
2002/0136617 A1 *	9/2002	Imahigashi	411/533
2004/0042872 A1 *	3/2004	Ward et al.	411/181

* cited by examiner

Primary Examiner - Robert M Spear

Assistant Examiner - Cynthia Underwood

(74) *Attorney, Agent, or Firm* - Schwegman, Lundberg & Woessner, P.A.

(57) **CLAIM**

The ornamental design for a locking nut, as shown and described.

DESCRIPTION

FIG. 1 is a top perspective view of a locking nut according to my new design;

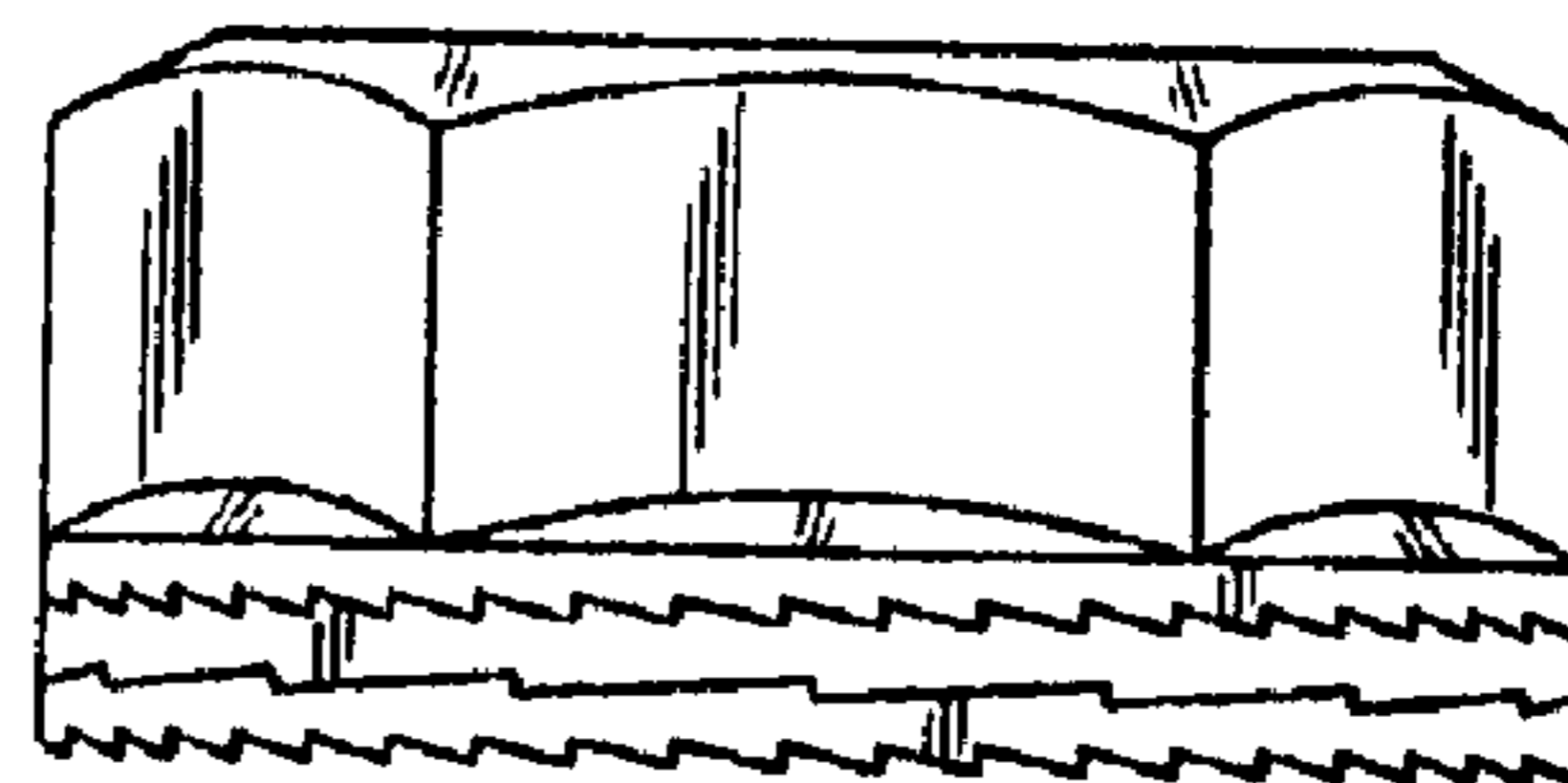
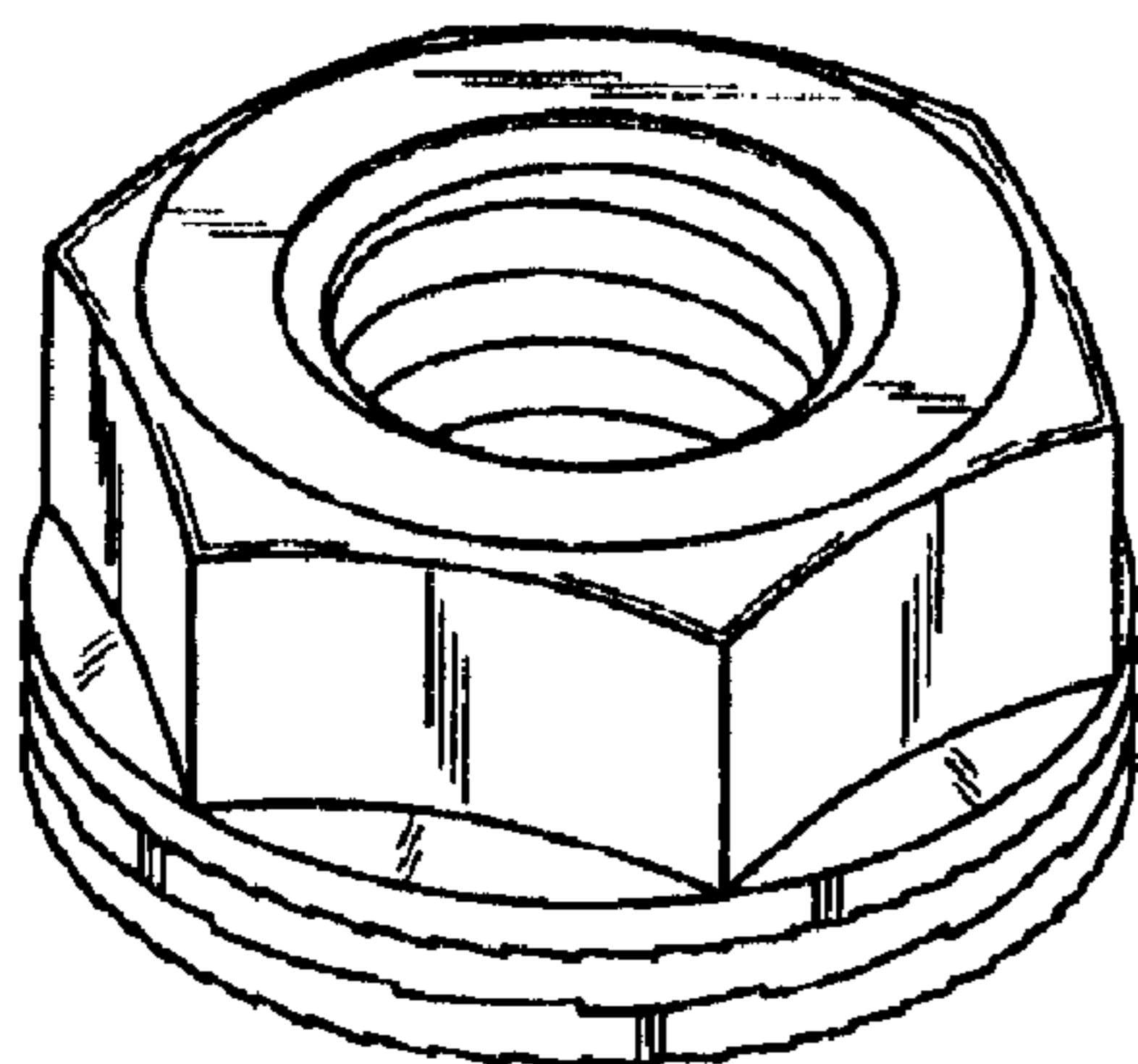
FIG. 2 is a side view thereof;

FIG. 3 is another side view thereof;

FIG. 4 is a top plan view thereof; and,

FIG. 5 is a bottom plan view thereof.

1 Claim, 2 Drawing Sheets



U.S. Patent

Feb. 16, 2010

Sheet 1 of 2

D609,999 S

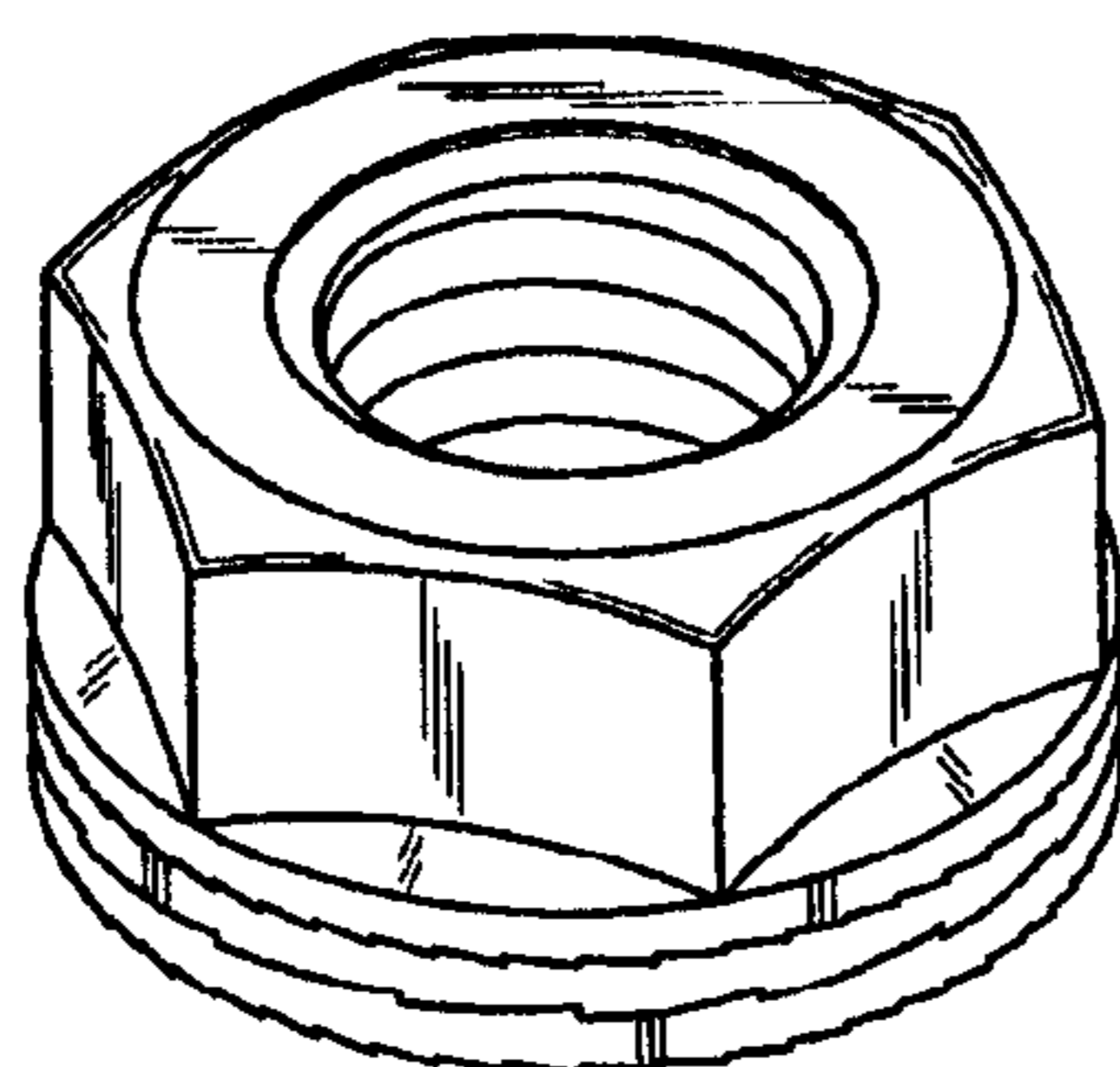


FIG. 1

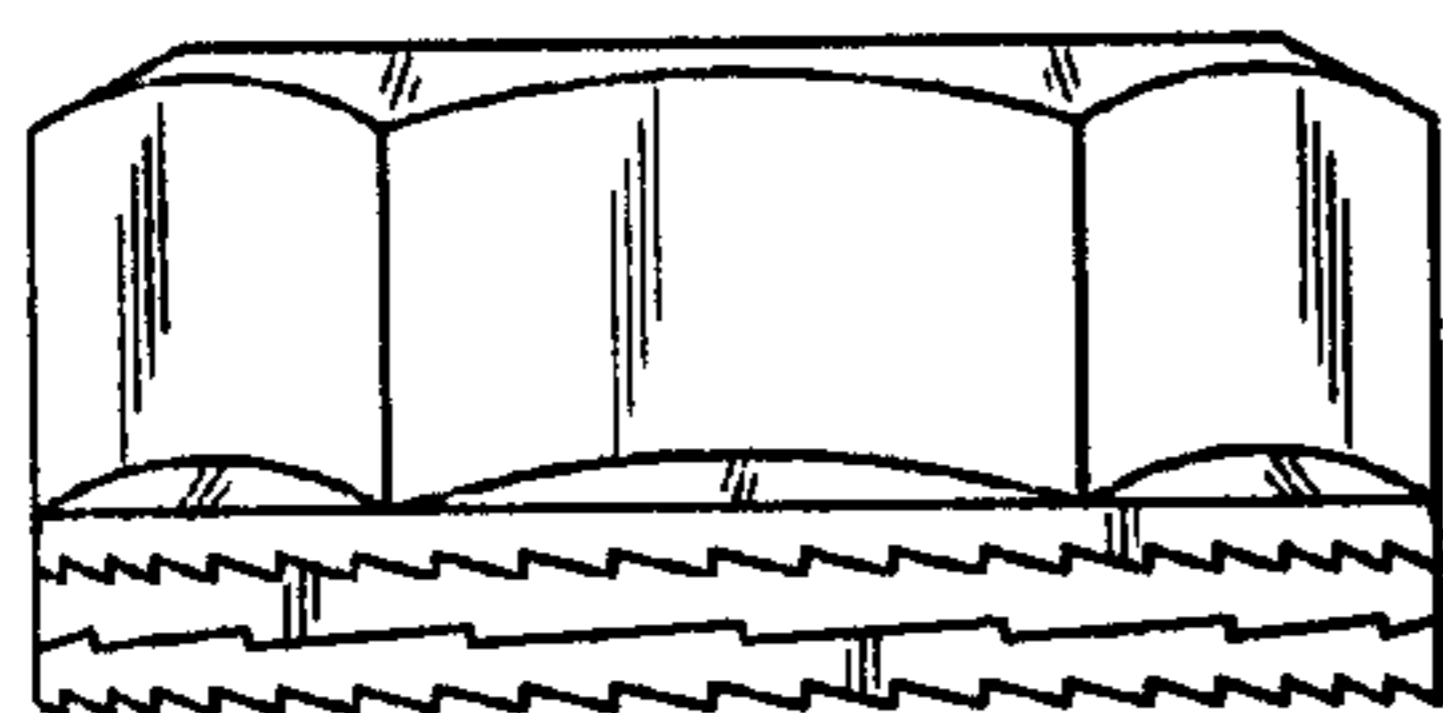


FIG. 2

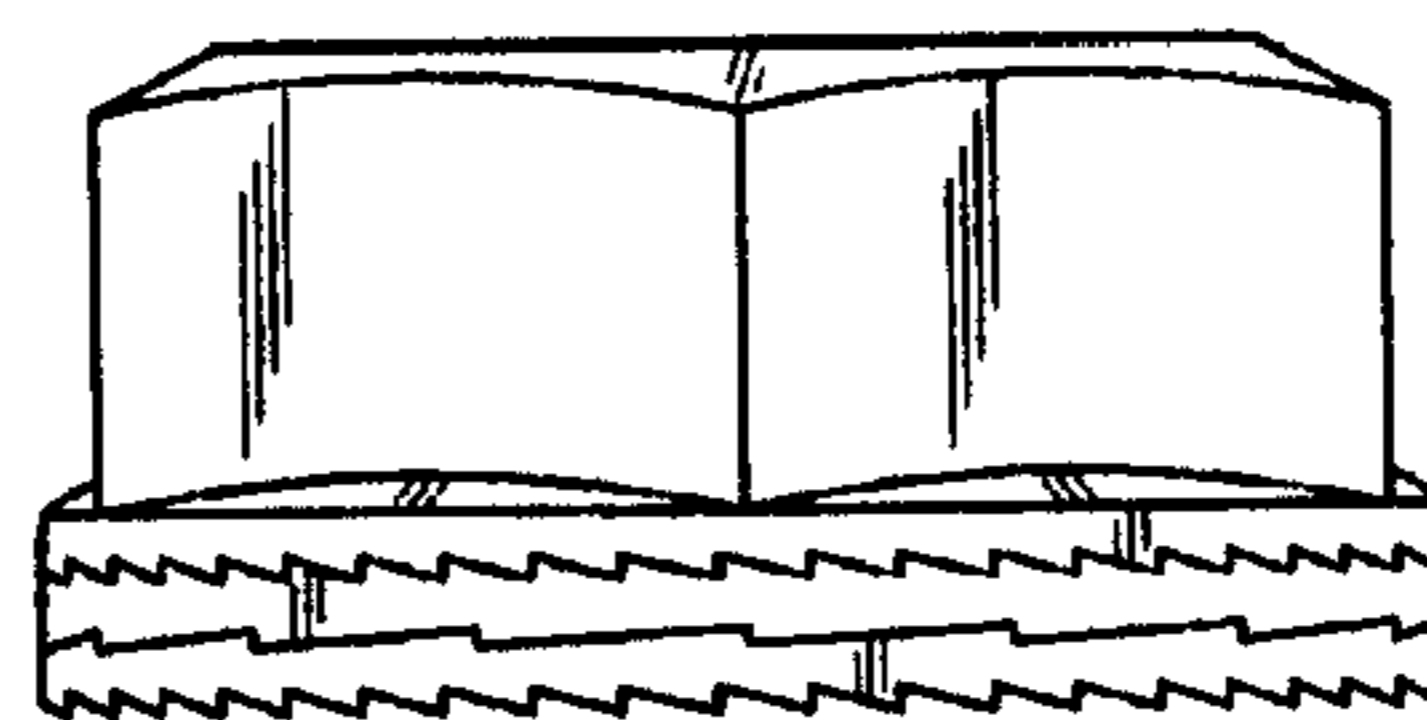


FIG. 3

U.S. Patent

Feb. 16, 2010

Sheet 2 of 2

D609,999 S

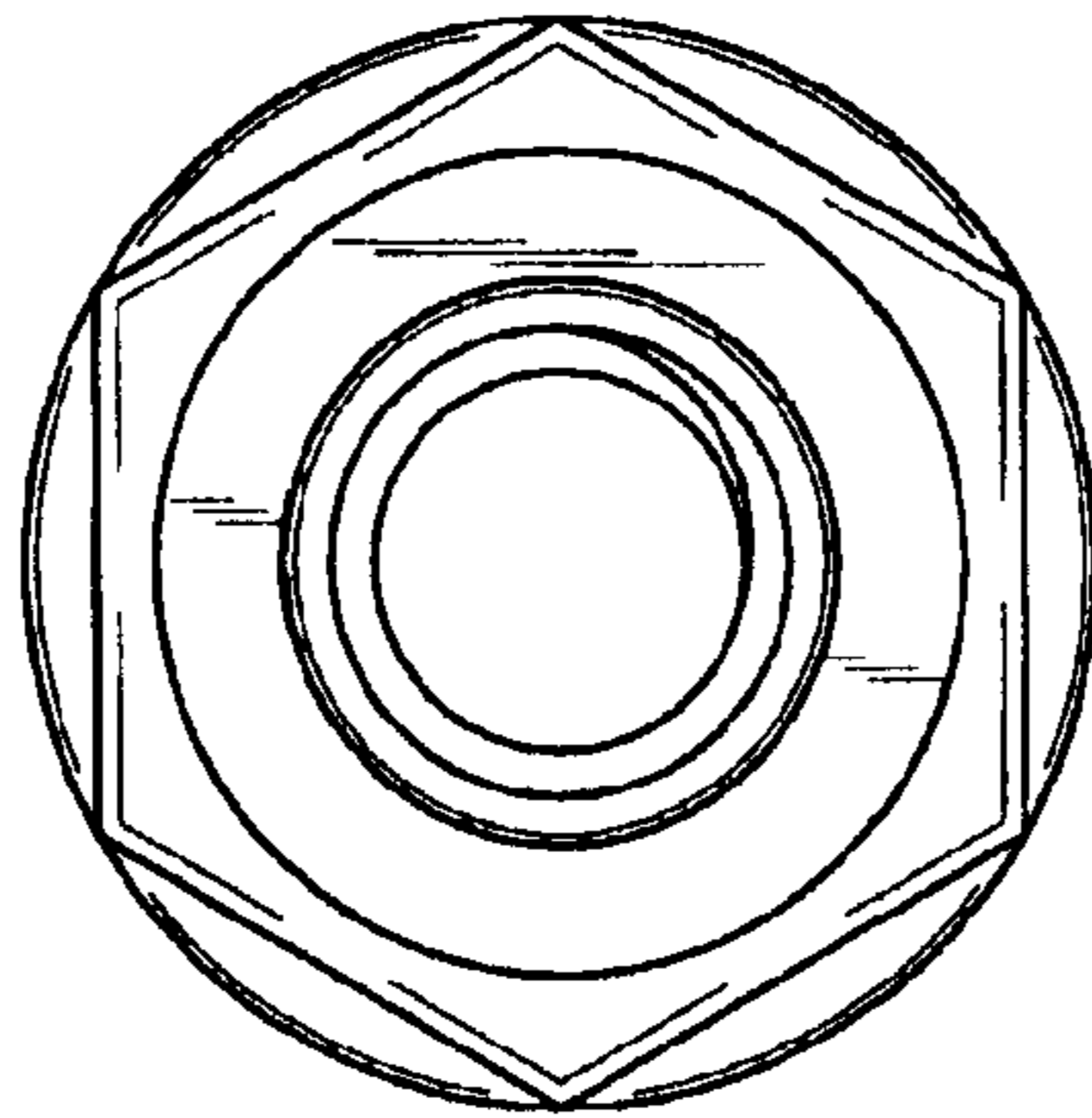


FIG. 4

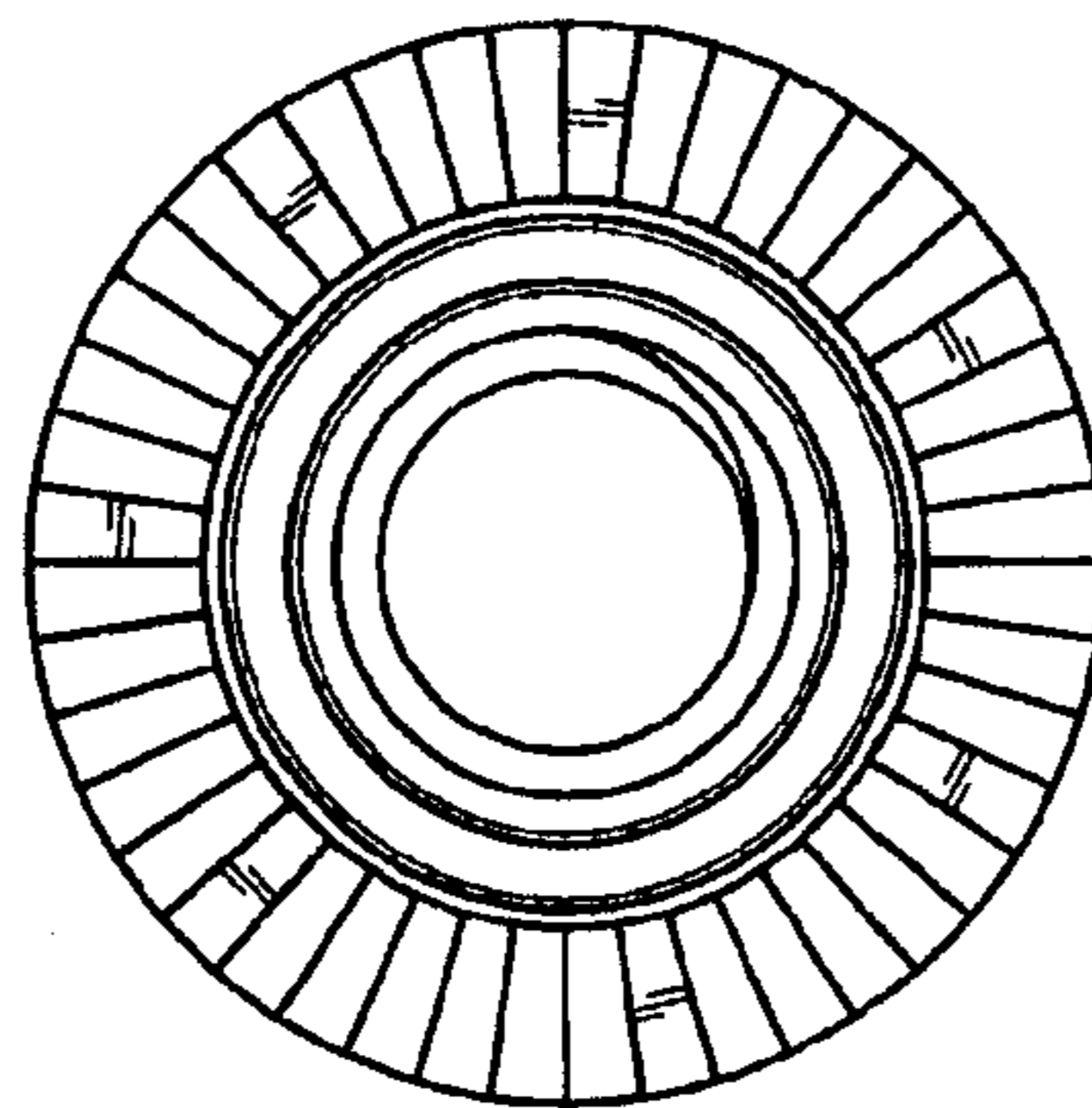


FIG. 5