



US00D609997S

(12) **United States Design Patent**
Andersson

(10) **Patent No.:** **US D609,997 S**
(45) **Date of Patent:** **** Feb. 16, 2010**

(54) **HOSE CLAMP**

(75) Inventor: **Lennart Andersson**, Bor (SE)

(73) Assignee: **Norma Sweden AB**, Stockholm (SE)

(**) Term: **14 Years**

(21) Appl. No.: **29/319,409**

(22) Filed: **Jun. 9, 2008**

Related U.S. Application Data

(62) Division of application No. 29/255,002, filed on Mar. 3, 2006, now Pat. No. Des. 574,227.

Foreign Application Priority Data

Sep. 6, 2005 (EM) 000395579-1/3

(51) **LOC (9) Cl.** **08-08**

(52) **U.S. Cl.** **D8/396; D23/265**

(58) **Field of Classification Search** **D8/396;**
D23/265; 24/247 R, 279; 285/252, 253
See application file for complete search history.

(56) **References Cited**

U.S. PATENT DOCUMENTS

3,087,220 A * 4/1963 Tinsley 24/274 R
4,286,361 A * 9/1981 MacKenzie 24/276
D289,141 S * 4/1987 Tunno et al. D8/396
4,887,334 A * 12/1989 Jansen et al. 24/23 R

5,315,742 A * 5/1994 Fay 24/274 R
5,368,337 A * 11/1994 Torres 285/114
5,410,781 A * 5/1995 Anjos et al. 24/274 R
5,956,817 A * 9/1999 Chen 24/274 R
6,000,104 A * 12/1999 Mann 24/274 R
6,449,813 B2 * 9/2002 Keller et al. 24/274 R
2004/0207195 A1 * 10/2004 Bowater 285/23
2005/0052020 A1 * 3/2005 Butler 285/23

* cited by examiner

Primary Examiner—T. Chase Nelson
Assistant Examiner—John Windmuller

(74) *Attorney, Agent, or Firm*—Birch, Stewart, Kolasch & Birch, LLP

(57) **CLAIM**

The ornamental design for a hose clamp, as shown and described.

DESCRIPTION

FIG. 1 is a top perspective view of a hose clamp showing my new design;

FIG. 2 is a left side view thereof;

FIG. 3 is a bottom plan view thereof;

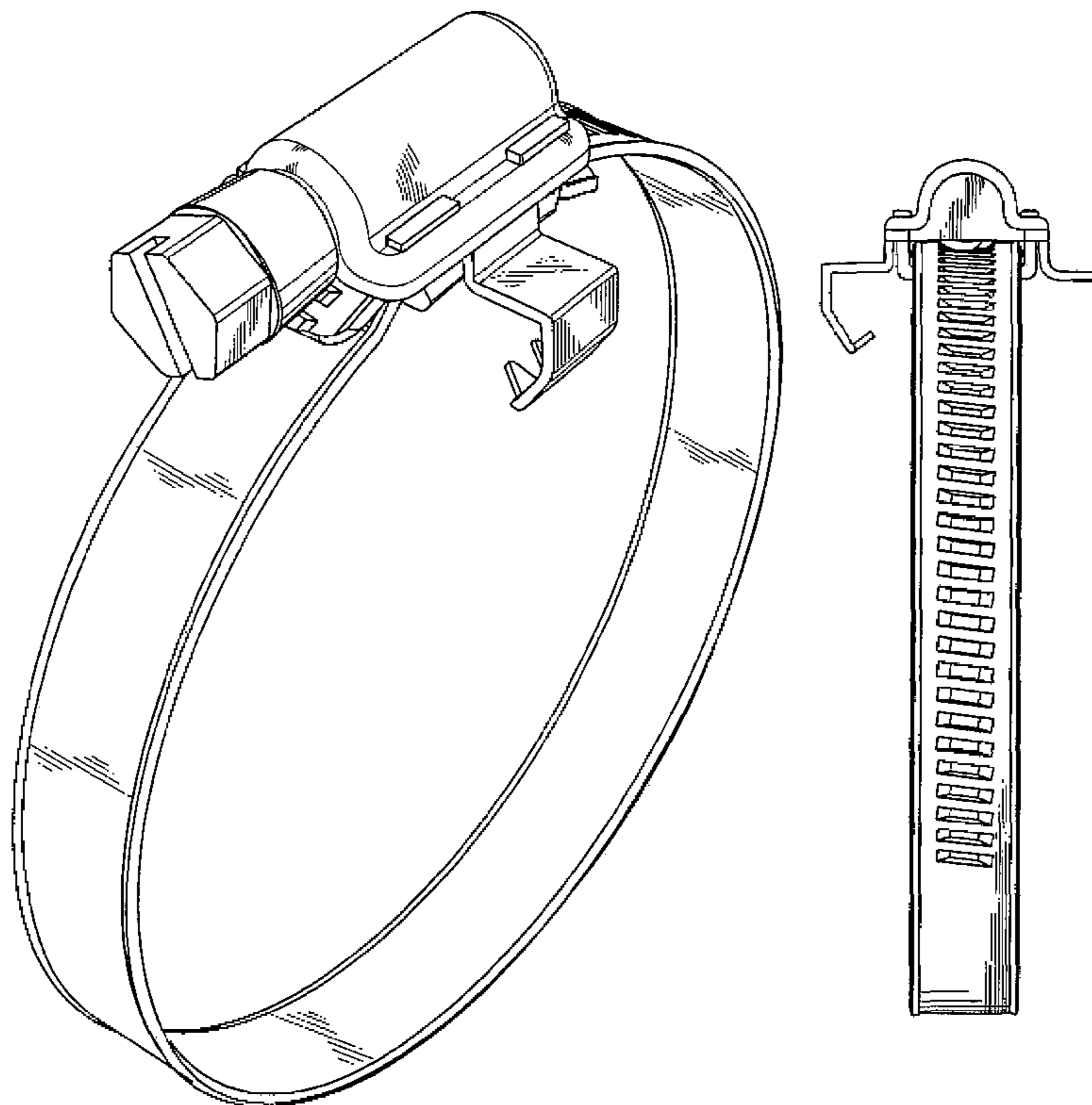
FIG. 4 is a top plan view thereof;

FIG. 5 is a right side view thereof;

FIG. 6 is a rear view thereof; and,

FIG. 7 is a front side view thereof.

1 Claim, 4 Drawing Sheets



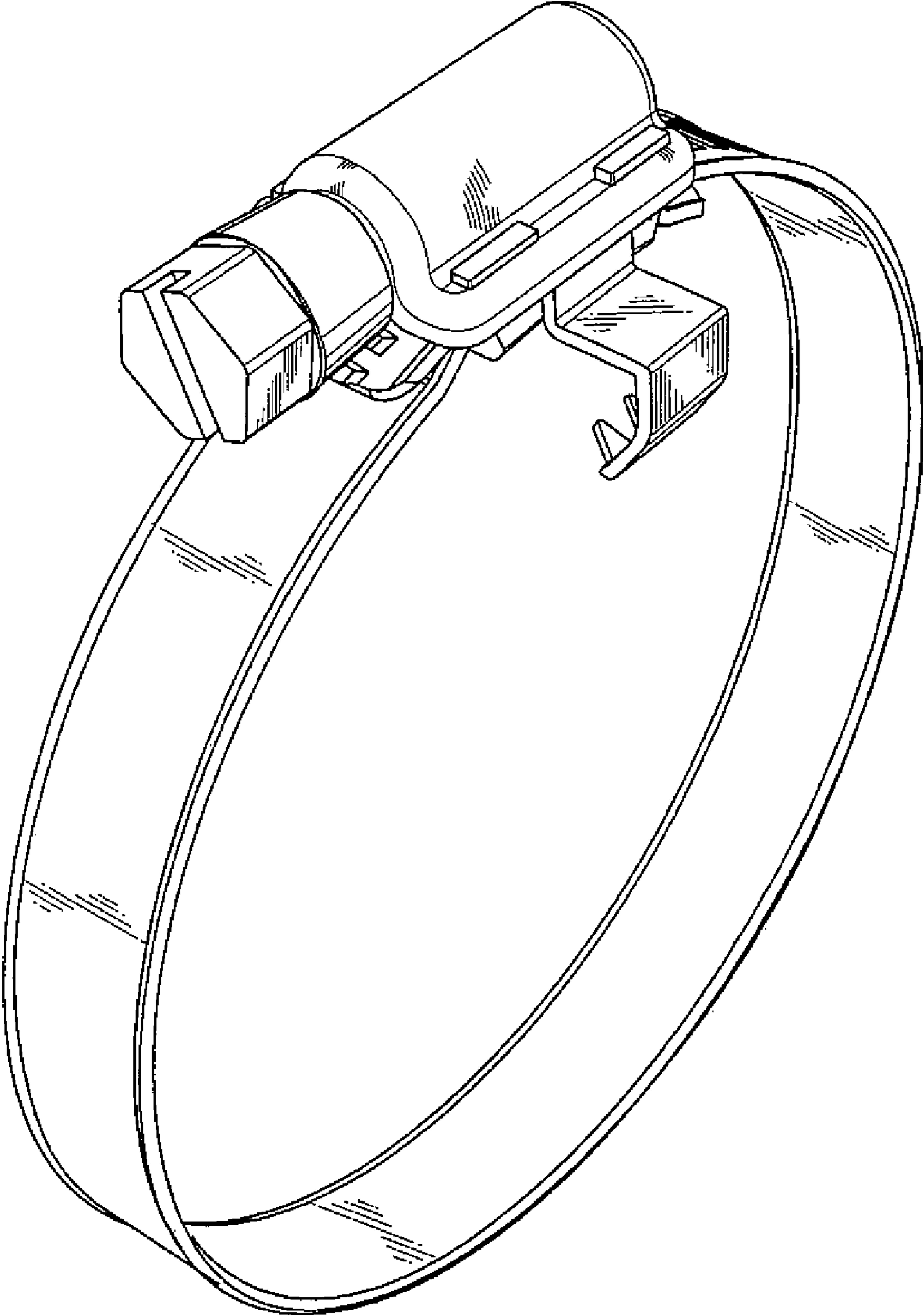


Fig. 1

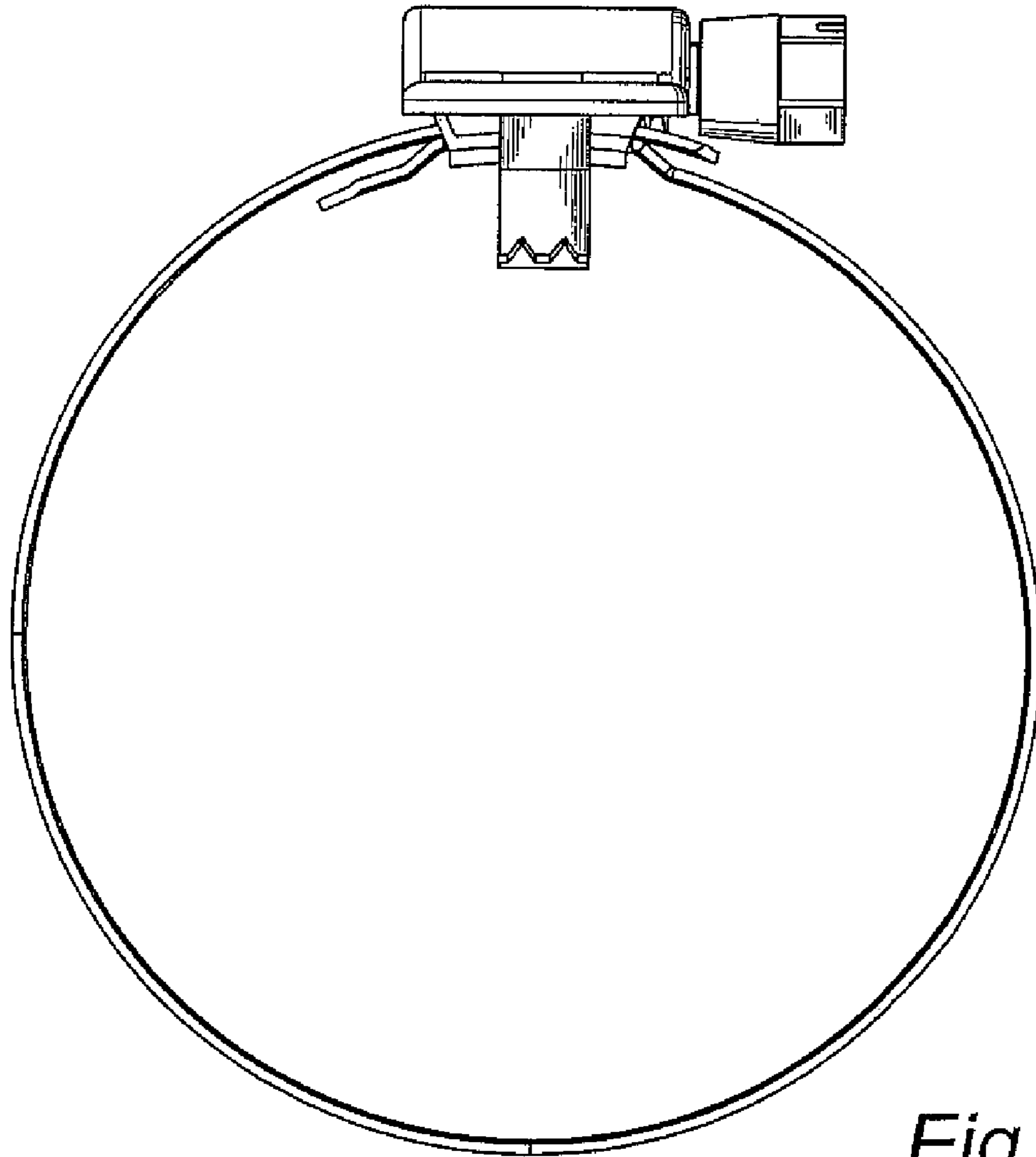


Fig. 2

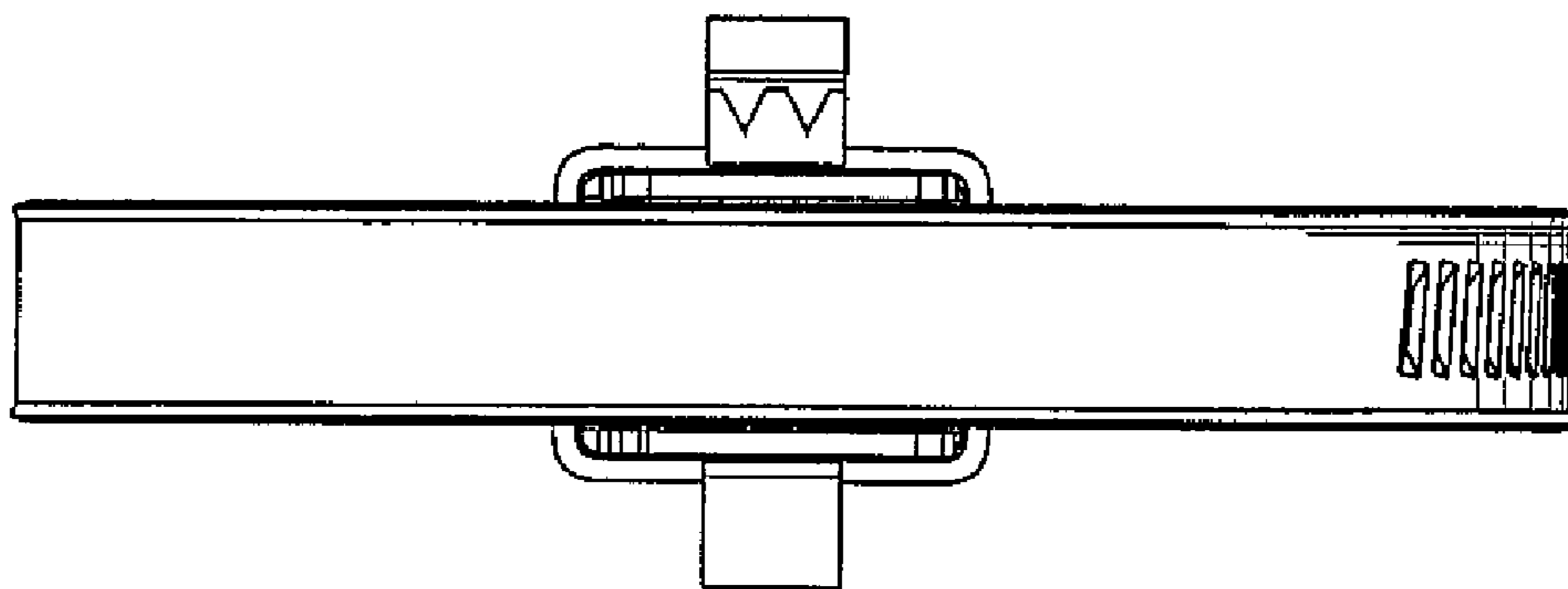


Fig. 3

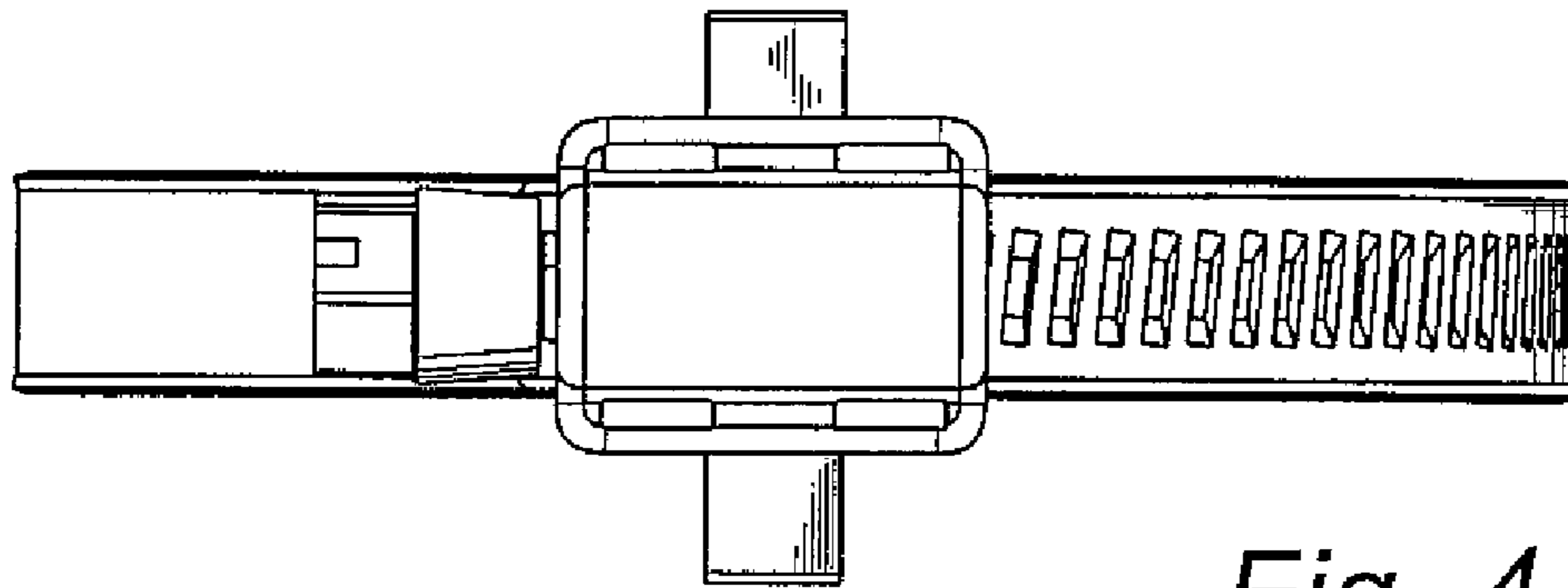


Fig. 4

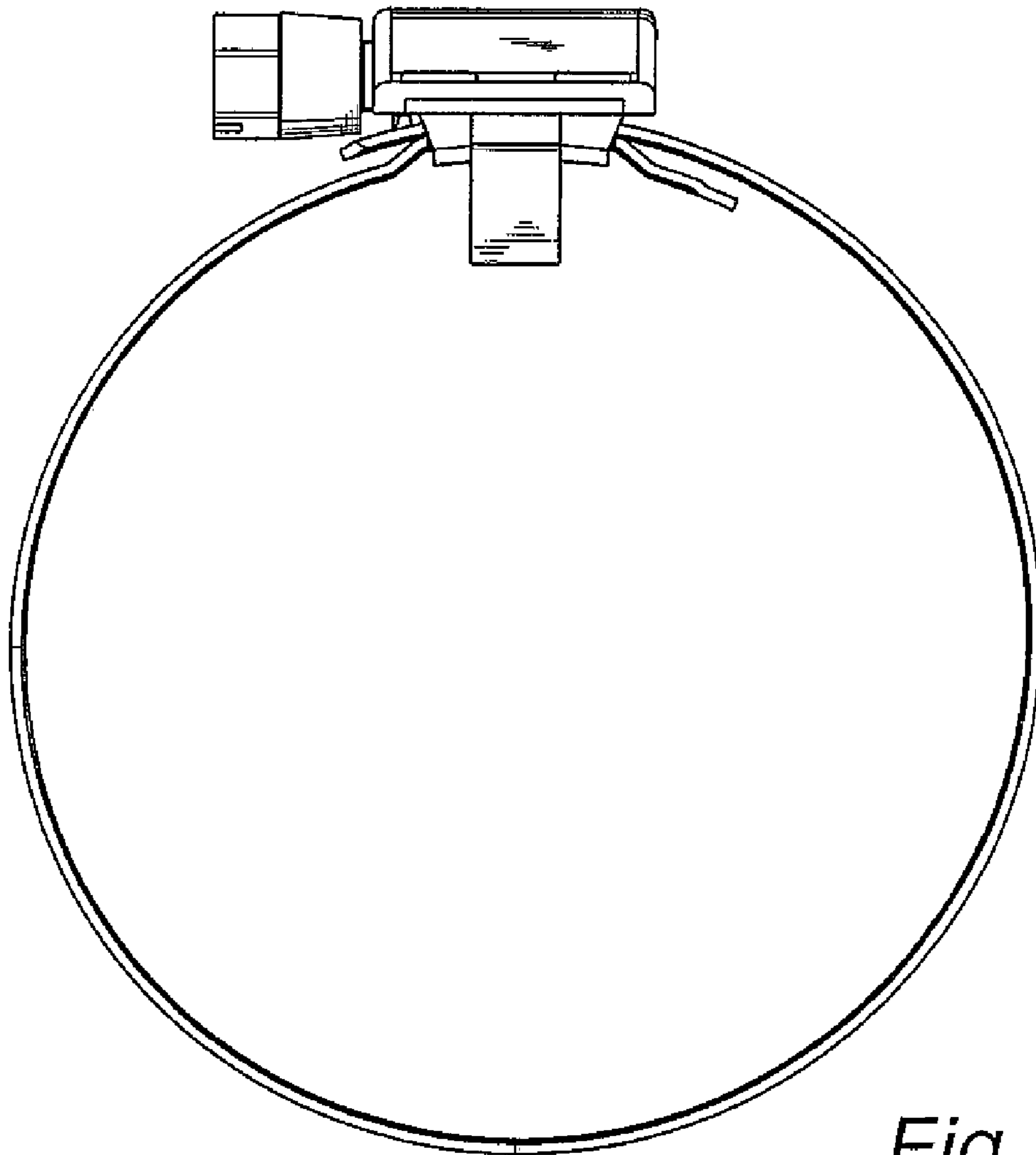


Fig. 5

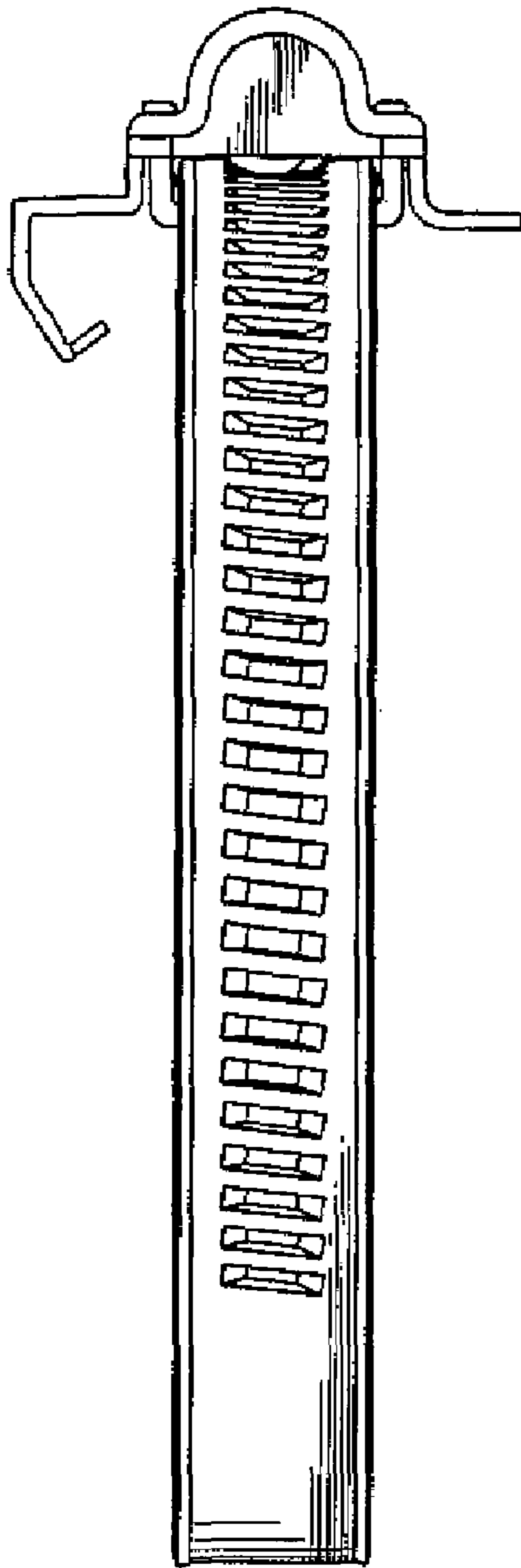


Fig. 6

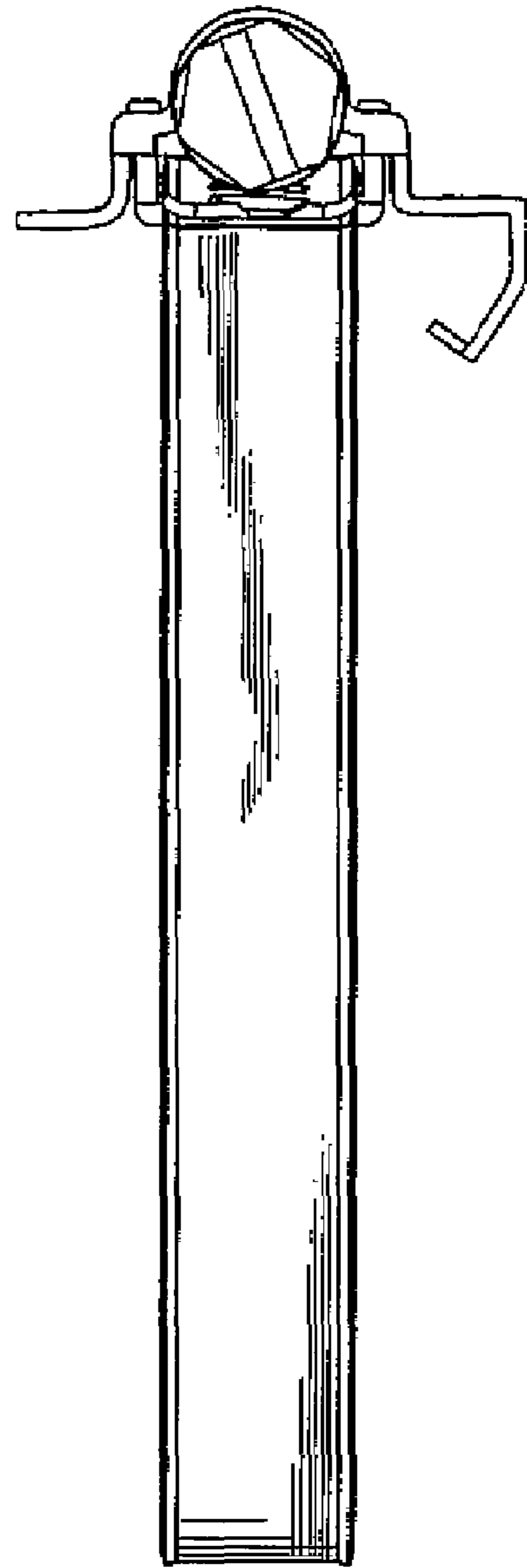


Fig. 7