



US00D609991S

(12) **United States Design Patent**
Moore

(10) **Patent No.:** **US D609,991 S**

(45) **Date of Patent:** **** Feb. 16, 2010**

(54) **GUTTER CUTTING DEVICE**

(76) Inventor: **Michael A. Moore**, 532 S. State St.,
North Vernon, IN (US) 47265

(**) Term: **14 Years**

(21) Appl. No.: **29/330,009**

(22) Filed: **Dec. 24, 2008**

(51) **LOC (9) Cl.** **08-03**

(52) **U.S. Cl.** **D8/98**

(58) **Field of Classification Search** D8/98,
D8/1, 14; 30/301, 316; 52/16
See application file for complete search history.

(56) **References Cited**

U.S. PATENT DOCUMENTS

106,437	A *	8/1870	Dunn	30/316
254,286	A	2/1882	Dellenbaugh		
473,316	A	4/1892	Hunter		
580,662	A *	4/1897	Unsinger	30/301
606,511	A *	6/1898	Genetti	30/316
944,700	A *	12/1909	Tobias	30/301
2,990,615	A *	7/1961	Ohler	30/316
3,062,299	A	11/1962	Koepfinger		

3,064,353	A	11/1962	Montgomery		
3,111,995	A *	11/1963	Dahl	172/18
D297,498	S *	9/1988	Prince	D8/9
D306,247	S	2/1990	Shields		
D319,953	S *	9/1991	Machak	D8/14
D342,651	S *	12/1993	Manos	D8/1
D423,889	S *	5/2000	Heffner	D8/1
6,125,593	A	10/2000	Randolph et al.		
6,578,272	B2	6/2003	Arbanas		
D564,851	S *	3/2008	Fraga	D8/98

* cited by examiner

Primary Examiner—Philip S Hyder
Assistant Examiner—Roselyne Cody

(57) **CLAIM**

The ornamental design for a gutter cutting device, as shown.

DESCRIPTION

FIG. 1 is a perspective view of a gutter cutting device;
FIG. 2 is a front view (back view is same) thereof;
FIG. 3 is a side view (opposite side is same) thereof;
FIG. 4 is a top view thereof; and,
FIG. 5 is a bottom view thereof.

1 Claim, 3 Drawing Sheets

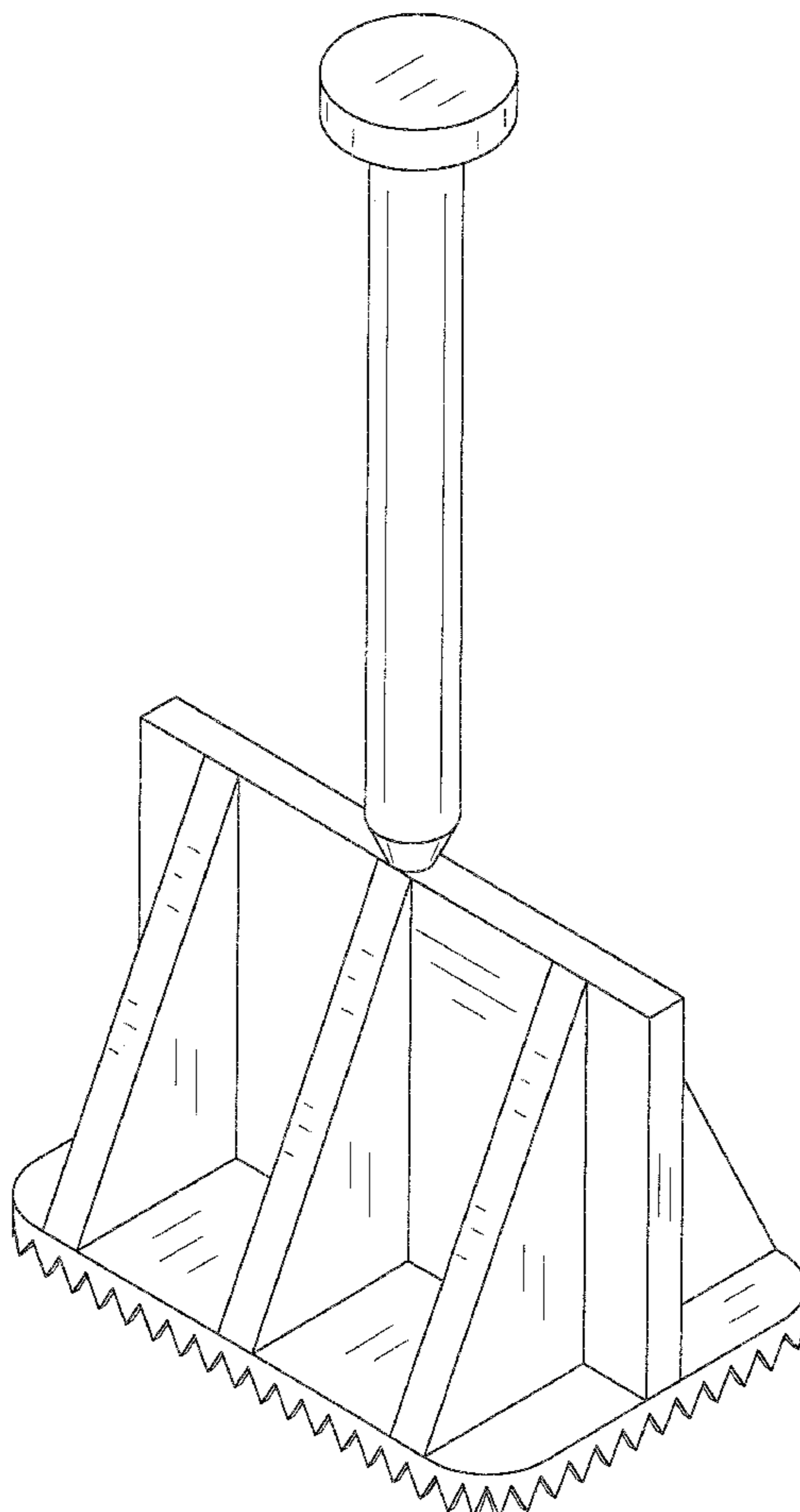
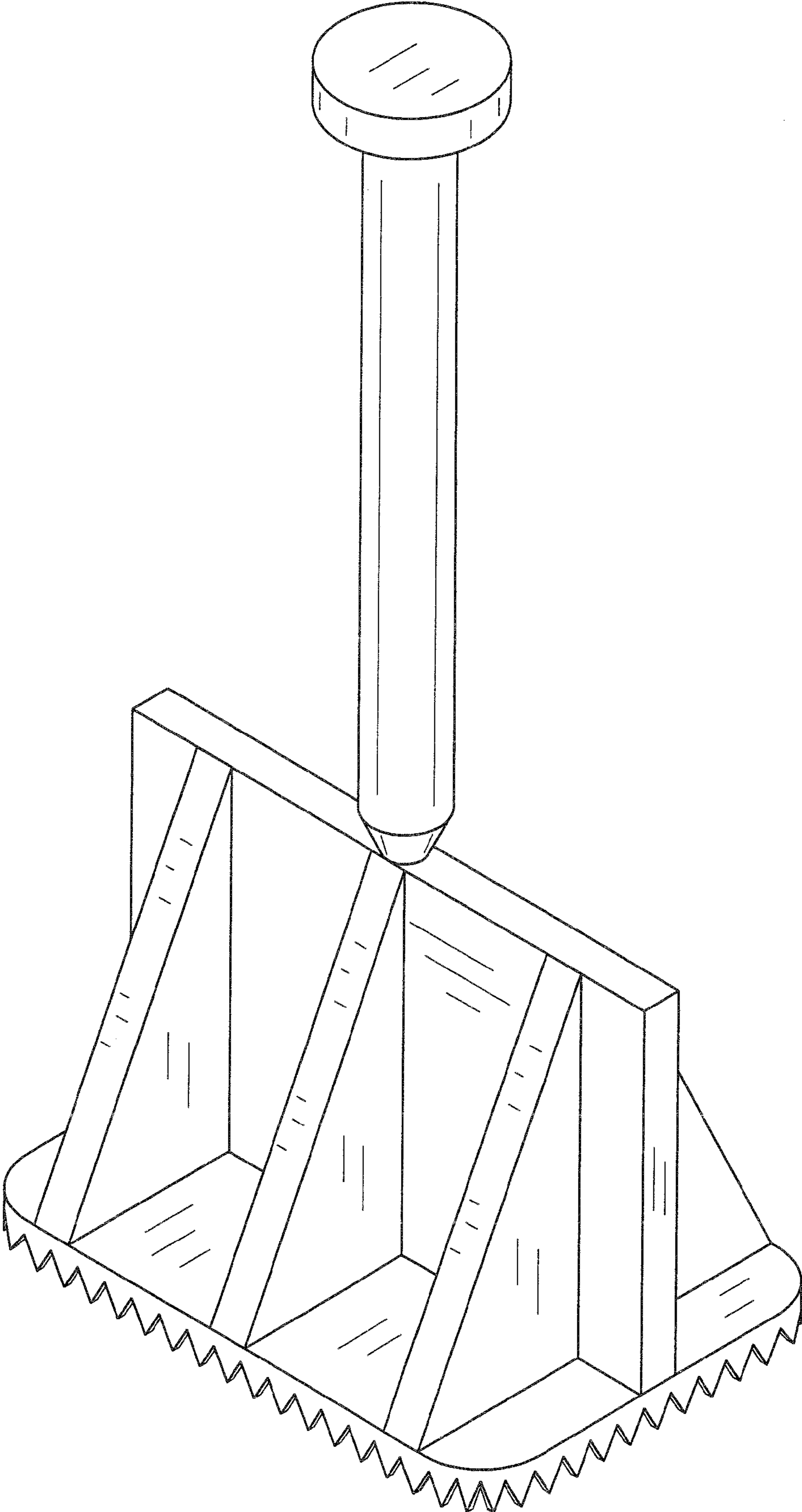


FIG. 1



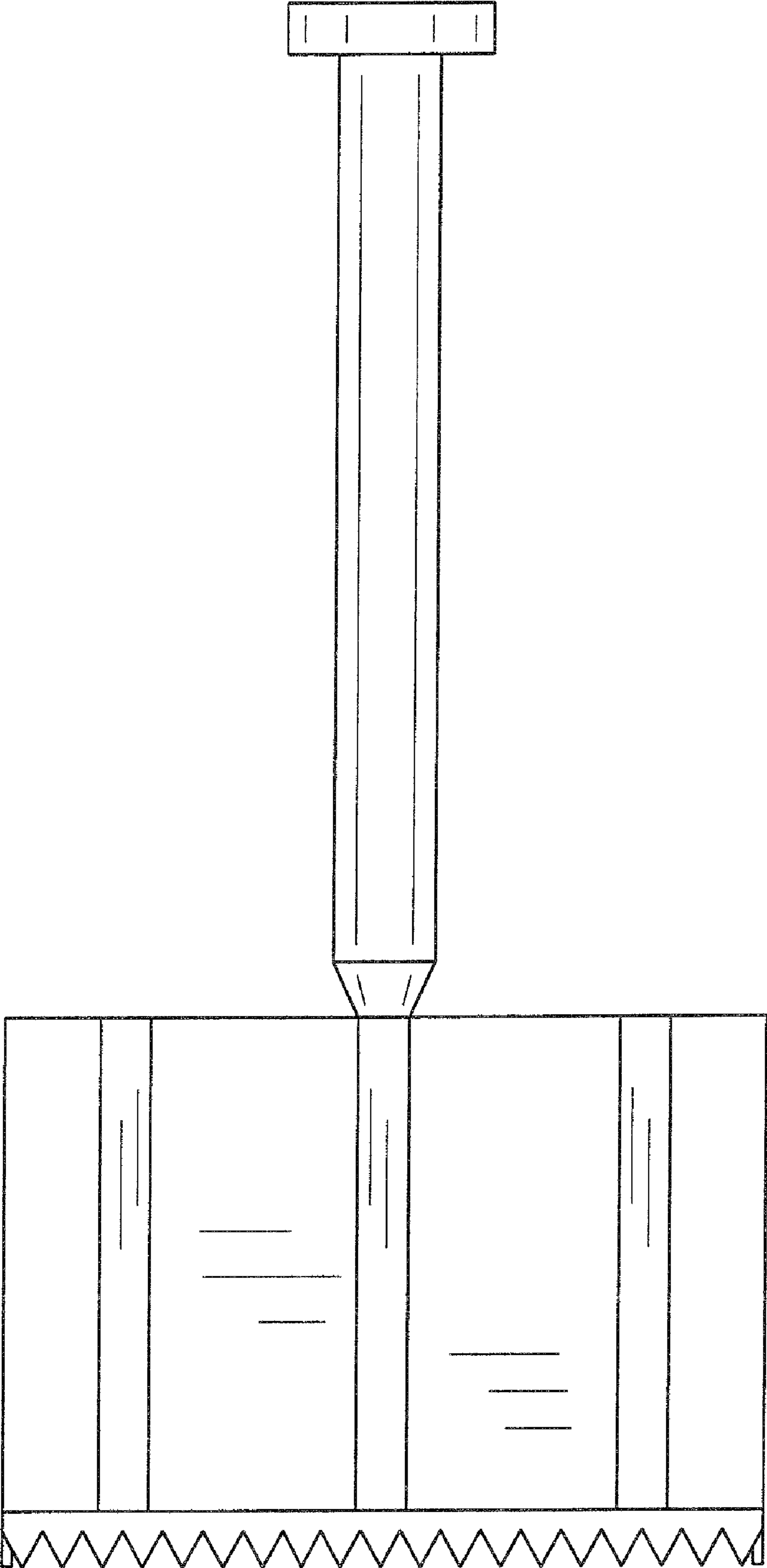


FIG. 2

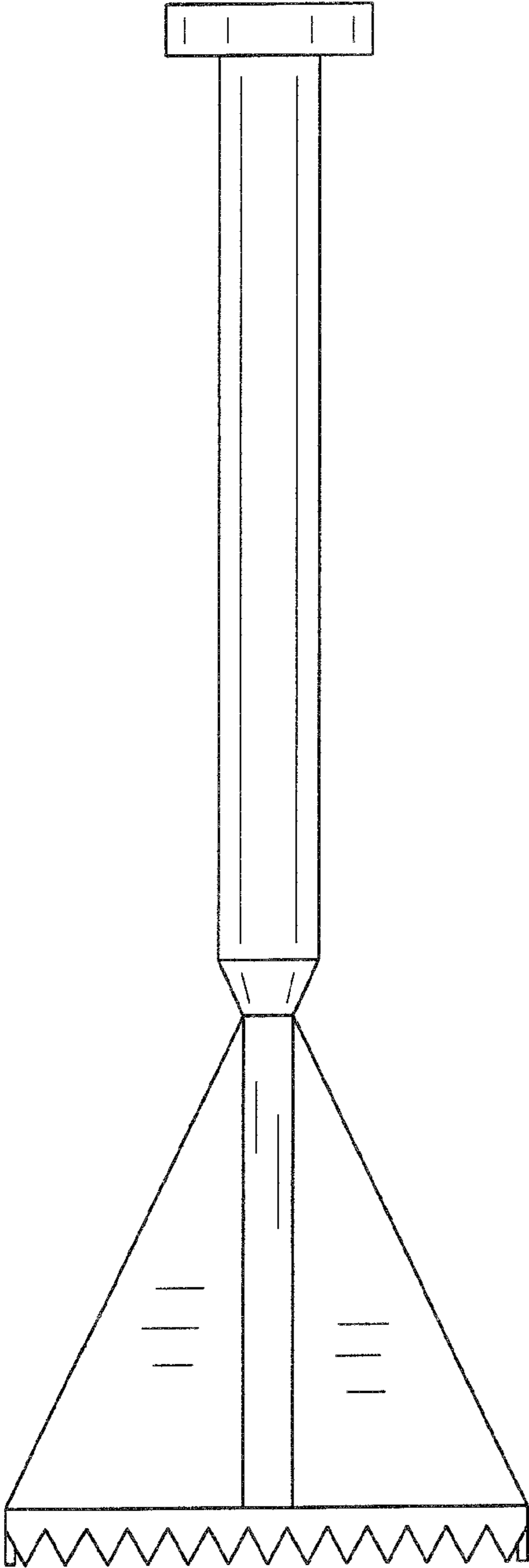


FIG. 3

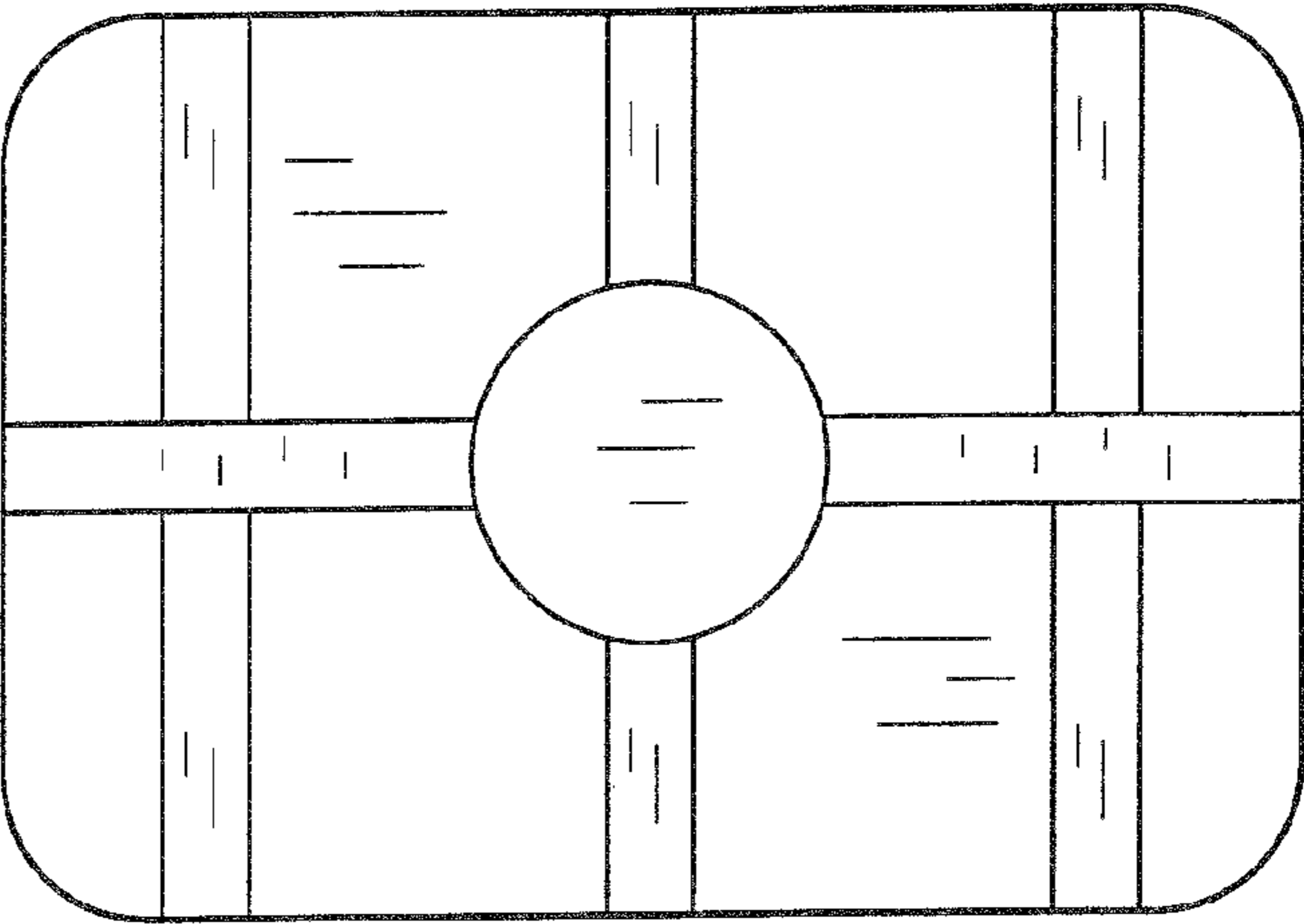


FIG. 4

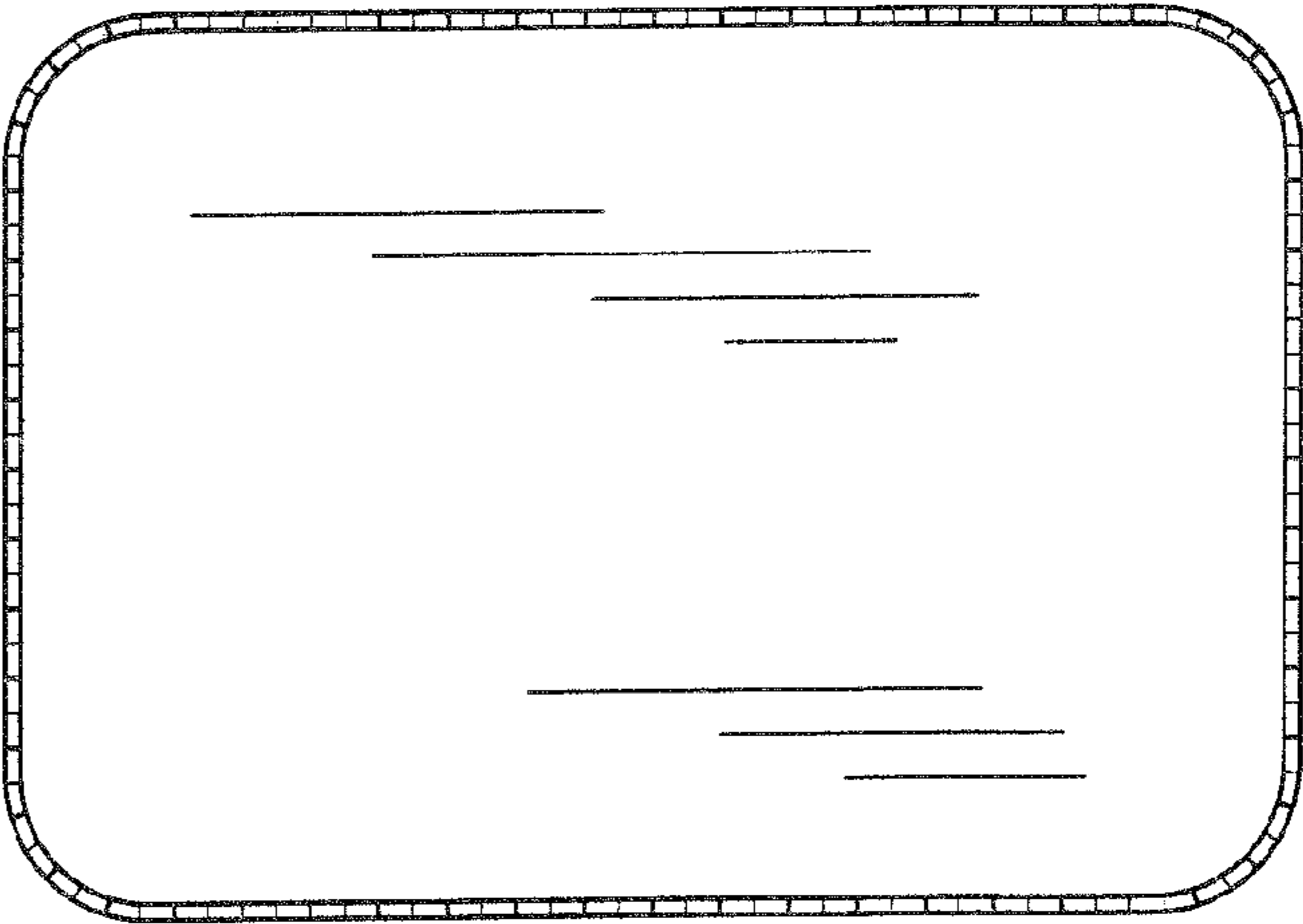


FIG. 5