



US00D609990S

(12) **United States Design Patent**
Blair

(10) **Patent No.:** **US D609,990 S**

(45) **Date of Patent:** **** Feb. 16, 2010**

(54) **DEVICE TO SECURE CONTAINER TO
RECIPROCATING POWER TOOL**

Primary Examiner—Antoine D Davis
(74) *Attorney, Agent, or Firm*—John C. Meline

(76) **Inventor:** **Clifford E. Blair**, 169 Bryan Dr., Victor,
ID (US) 83455

(57) **CLAIM**

(**) **Term:** **14 Years**

I claim the ornamental design for device to secure container to reciprocating power tool, as shown and described.

(21) **Appl. No.:** **29/329,759**

(22) **Filed:** **Dec. 19, 2008**

(51) **LOC (9) Cl.** **08-05**

(52) **U.S. Cl.** **D8/71**

(58) **Field of Classification Search** D8/70-71;
366/130

See application file for complete search history.

DESCRIPTION

This application claims priority to U.S. Patent Application Ser. No. 11/934,749 which is titled Device To Secure Container To Reciprocating Power Tool filed on Dec. 19, 2007 to Blair.

FIG. 1 is an overhead oblique view of a device to secure container to reciprocating power tool.

FIG. 2 is also an overhead oblique view of the device to secure container to reciprocating power tool shown in FIG. 1; and,

FIG. 3 is another overhead oblique view of the device to secure container to reciprocating power tool shown in FIG. 1.

The broken lines showing the container in FIG. 3 are for illustrative purposes only and form no part of the claimed design.

(56) **References Cited**

U.S. PATENT DOCUMENTS

4,420,262	A *	12/1983	Sterrenberg	366/130
D319,794	S *	9/1991	Elkins	D8/71
5,098,193	A *	3/1992	Christensen et al.	366/130
D390,101	S *	2/1998	Nygards	D8/71
D392,533	S *	3/1998	King, Jr.	D8/71
D392,865	S *	3/1998	King, Jr.	D8/71
D516,401	S *	3/2006	Snider et al.	D8/71

* cited by examiner

1 Claim, 3 Drawing Sheets

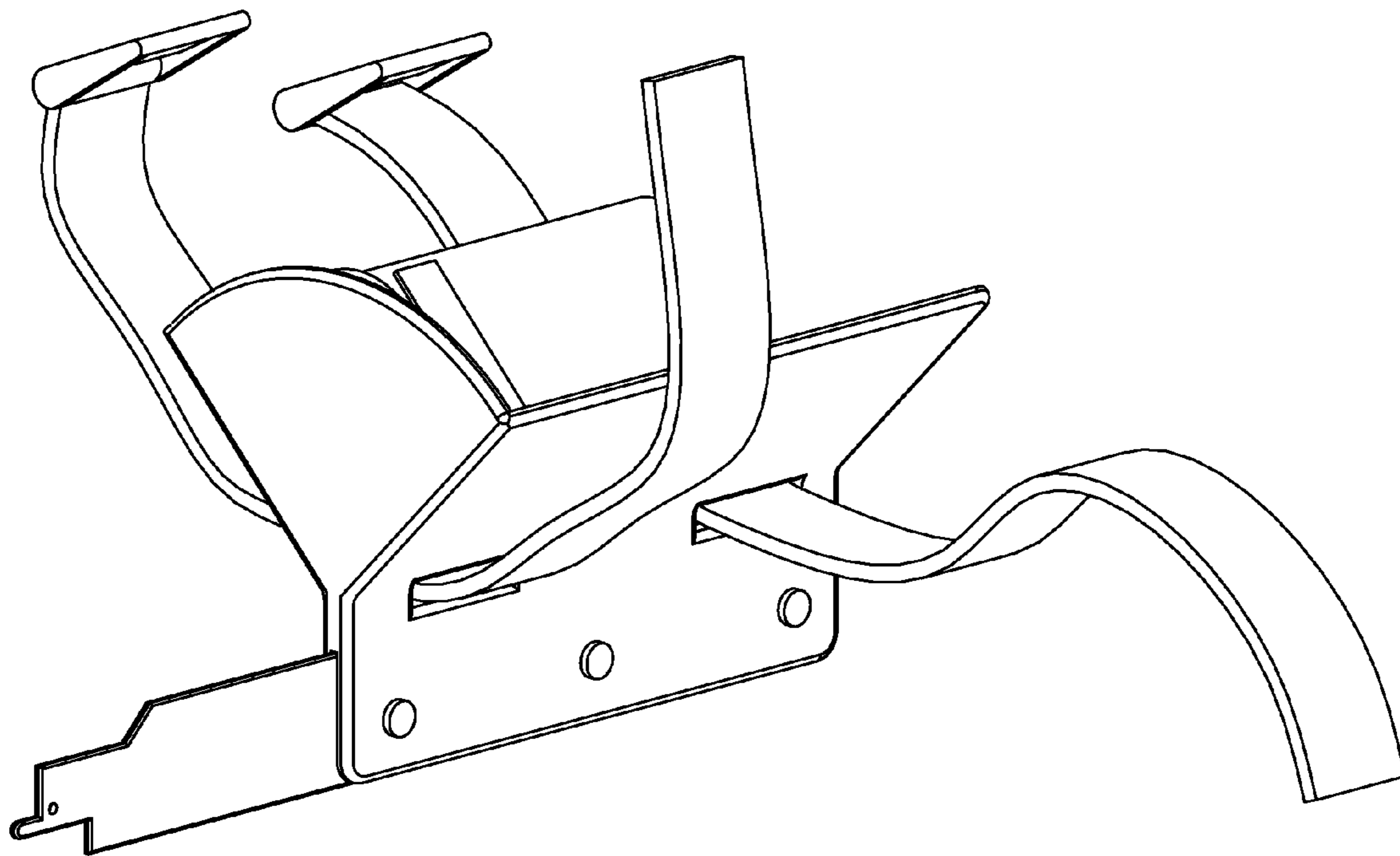


Fig. 1

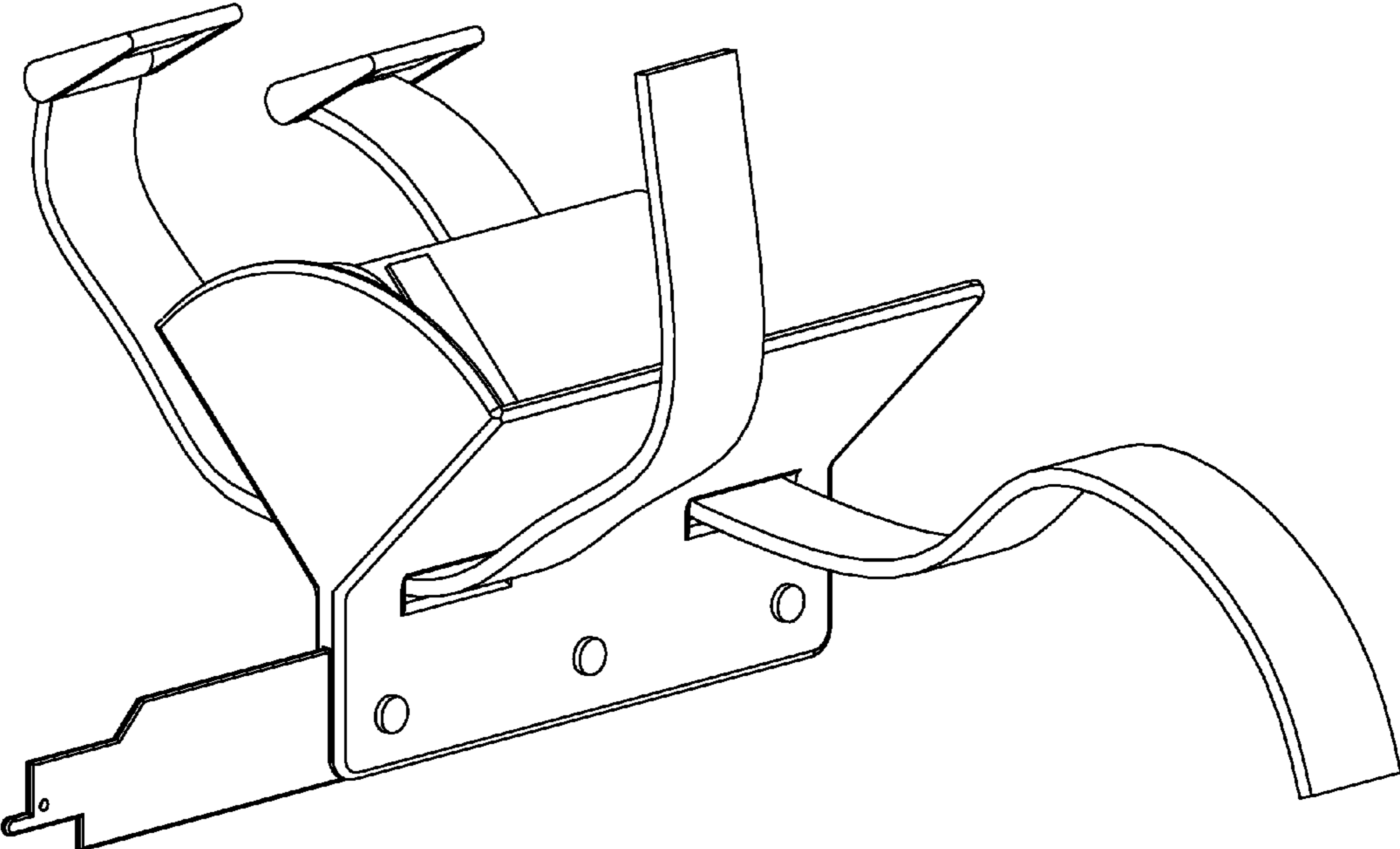


Fig. 2

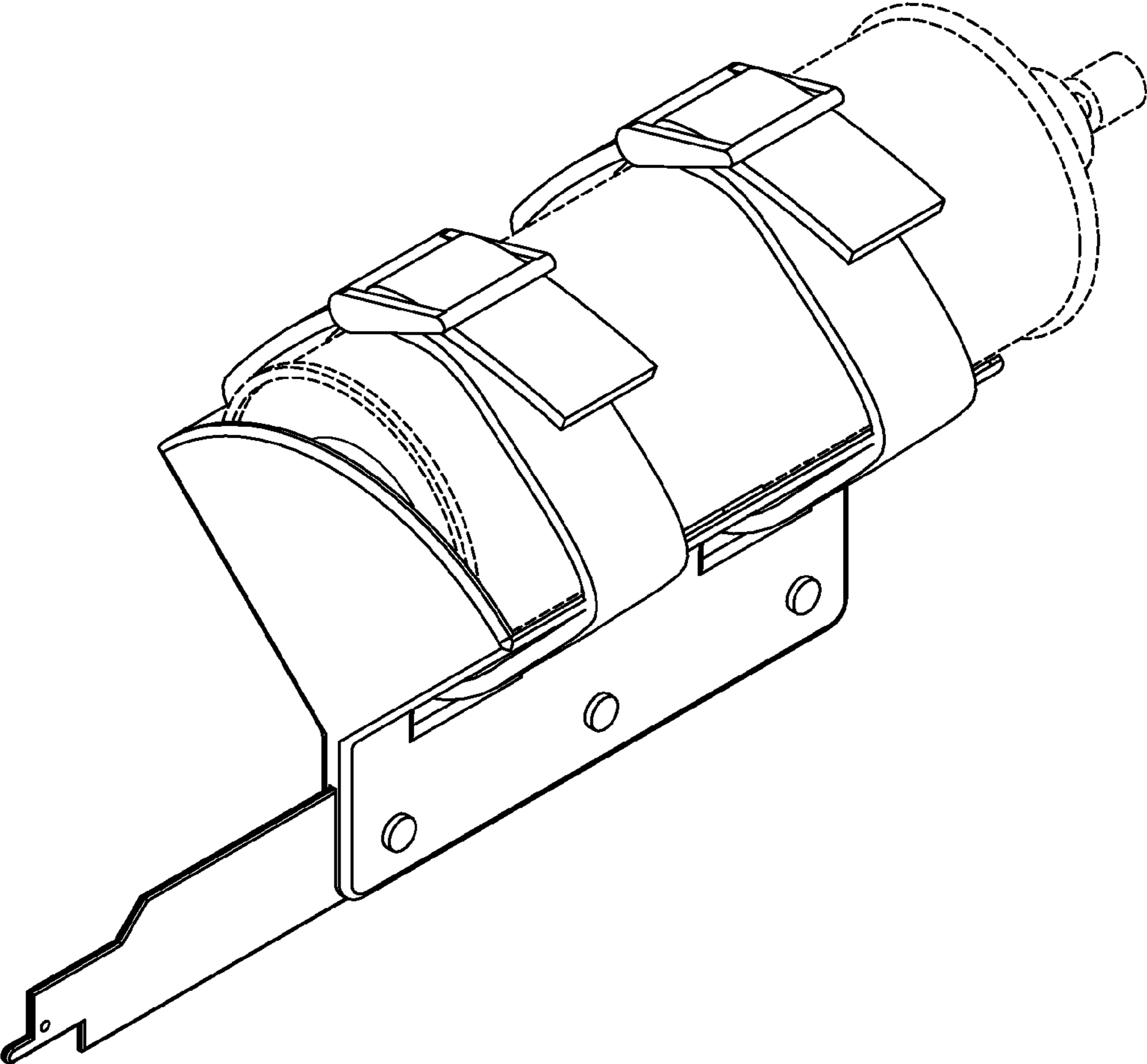


Fig. 3

