



US00D609988S

(12) **United States Design Patent**
Eide et al.

(10) **Patent No.:** **US D609,988 S**
(45) **Date of Patent:** **** Feb. 16, 2010**

(54) **CORKSCREW**

(75) Inventors: **Annbjorg Eide**, Elmira, NY (US);
Anthony Baxter, Upper Montclair, NJ
(US); **Alberto Mantilla**, Rego Park, NY
(US); **Marisol Rodriguez**, New York,
NY (US); **Lucas Wade**, Brooklyn, NY
(US); **Robert Nightingale**, Brooklyn,
NY (US); **Jason Liang**, Fresh Meadows,
NY (US)

(73) Assignee: **WKI Holding Company, Inc.**,
Rosemont, IL (US)

(**) Term: **14 Years**

(21) Appl. No.: **29/334,174**

(22) Filed: **Mar. 21, 2009**

(51) **LOC (9) Cl.** **07-99**

(52) **U.S. Cl.** **D8/42**

(58) **Field of Classification Search** D8/14,
D8/16-19, 33-43, 80, 89, 105; 7/113, 151-156;
81/3.07, 3.09, 3.2, 3.27, 3.29, 3.31, 3.35,
81/3.37, 3.4, 3.45, 3.48, 3.49, 3.55
See application file for complete search history.

(56) **References Cited**

U.S. PATENT DOCUMENTS

D358,744	S *	5/1995	Entwistle	D8/42
D397,010	S *	8/1998	Usbeck	D8/42
D421,701	S *	3/2000	Hollinger	D8/42
D475,262	S *	6/2003	Hsieh	D8/42
6,739,215	B2 *	5/2004	Lozeau et al.	81/3.09
D498,651	S *	11/2004	Bates et al.	D8/42

(Continued)

Primary Examiner—Caron Veynar

Assistant Examiner—Garth Rademaker

(74) *Attorney, Agent, or Firm*—McDermott Will & Emery
LLP

(57) **CLAIM**

We claim the ornamental design for a corkscrew, as shown and described.

DESCRIPTION

FIG. 1 is a perspective view of a corkscrew according to the new design;

FIG. 2 is a front view of a corkscrew according to the new design shown in FIG. 1;

FIG. 3 is a rear view of a corkscrew according to the new design shown in FIG. 1;

FIG. 4 is a left side elevation view of a corkscrew according to the new design shown in FIG. 1;

FIG. 5 is a right side elevation view of the corkscrew shown in FIG. 1;

FIG. 6 is a top view of the corkscrew shown in FIG. 1;

FIG. 7 is a bottom view of the corkscrew shown in FIG. 1;

FIG. 8 is a perspective view of the corkscrew shown in FIG. 1, with the collar element removed and not shown for ease of disclosure;

FIG. 9 is a front view of a corkscrew according to the new design shown in FIG. 8;

FIG. 10 is a rear view of a corkscrew according to the new design shown in FIG. 8;

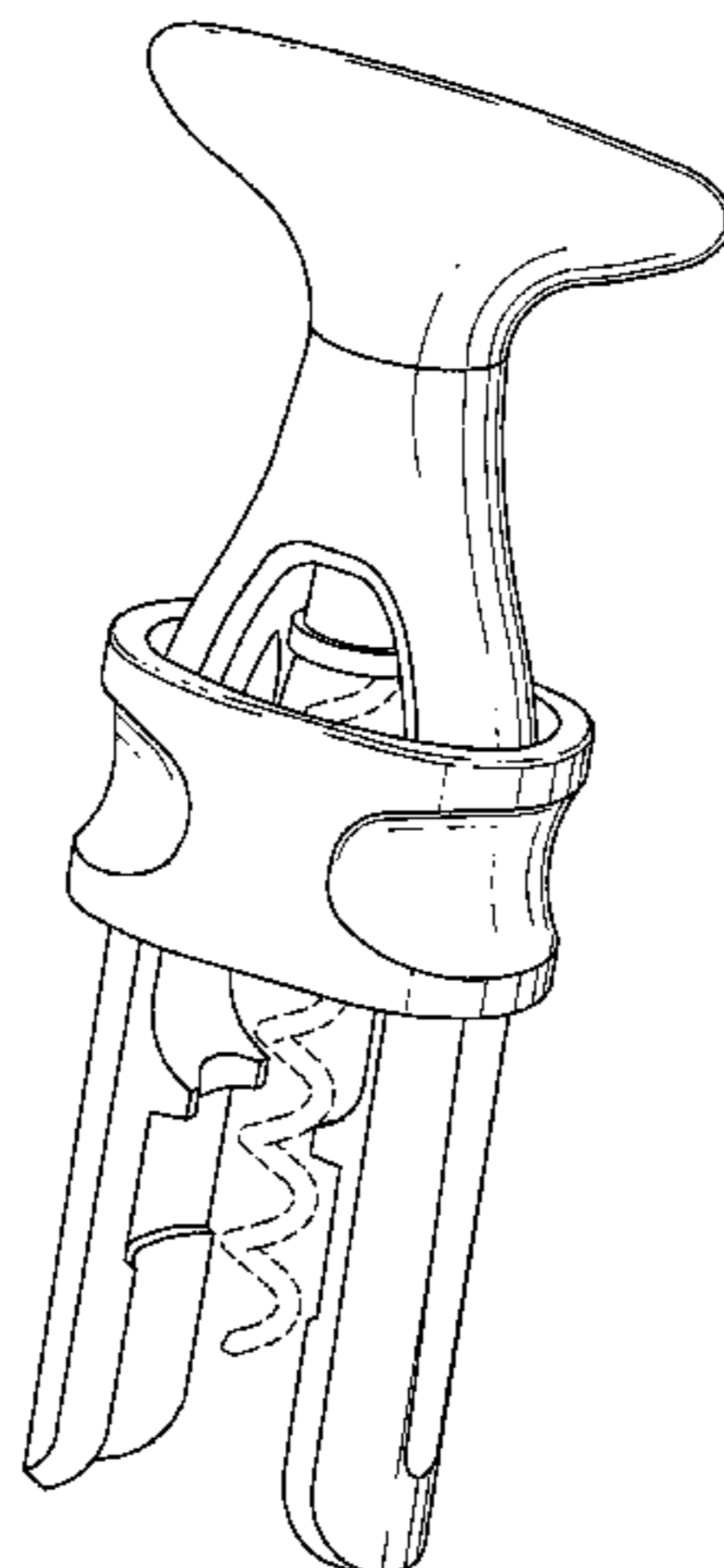
FIG. 11 is a left side elevation view of a corkscrew according to the new design shown in FIG. 8;

FIG. 12 is a right side elevation view of the corkscrew shown in FIG. 8;

FIG. 13 is a top view of the corkscrew shown in FIG. 8; and, FIG. 14 is a bottom view of the corkscrew shown in FIG. 8.

The broken lines depict environmental subject matter only and form no part of the claimed design.

1 Claim, 10 Drawing Sheets



US D609,988 S

Page 2

U.S. PATENT DOCUMENTS

D521,828 S *	5/2006	Overthun et al.	D8/42	
D572,988 S *	7/2008	Jalet	D8/42	* cited by examiner
				D594,302 S * 6/2009 Mah et al. D8/40

FIG. 1

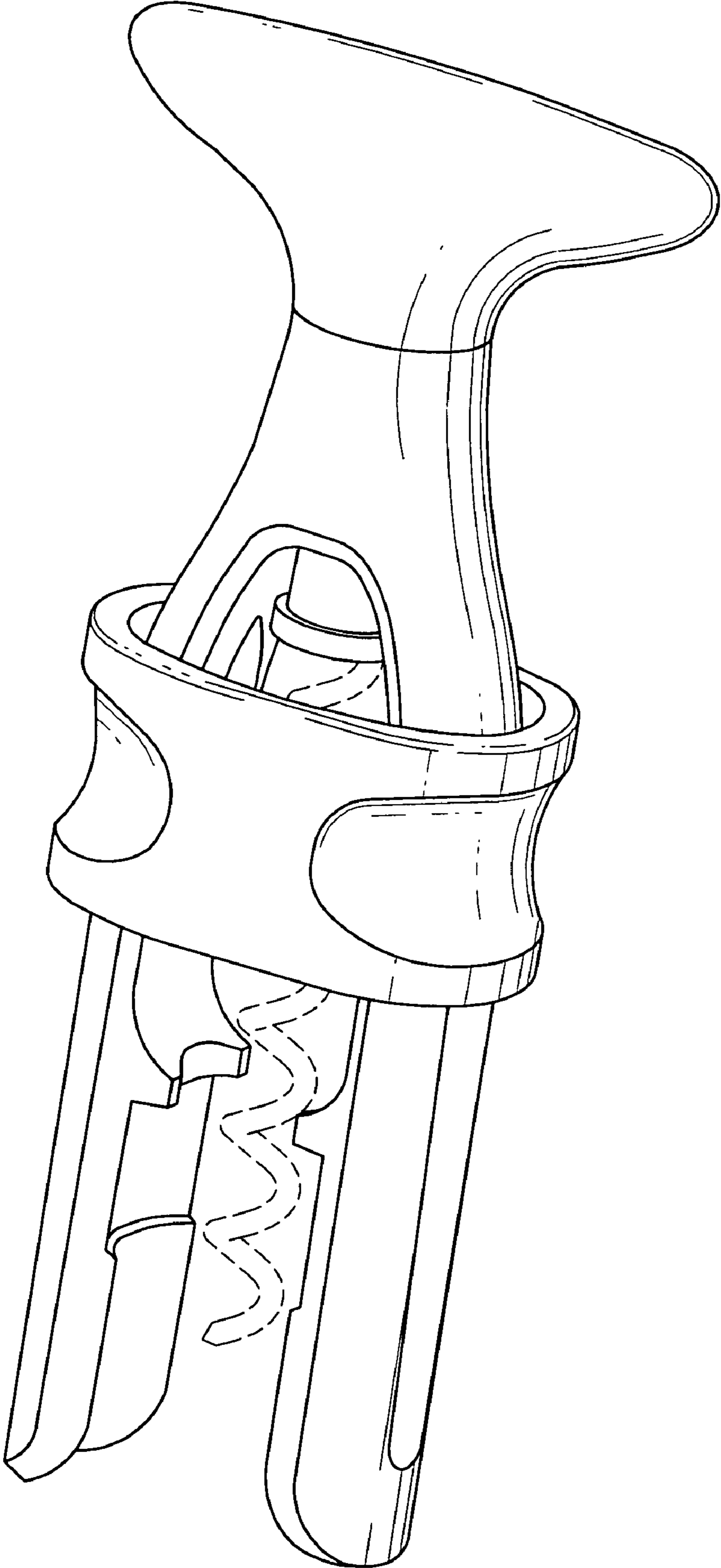


FIG. 2

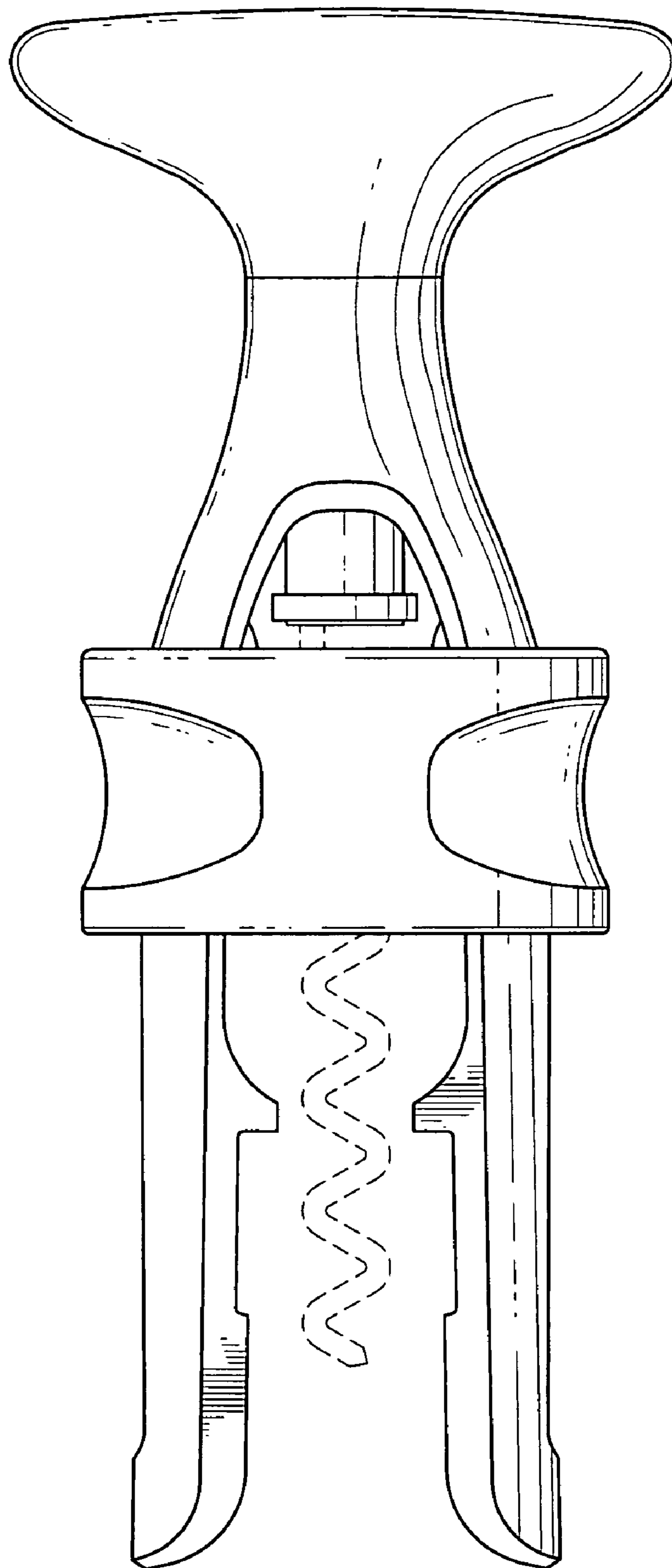


FIG. 3

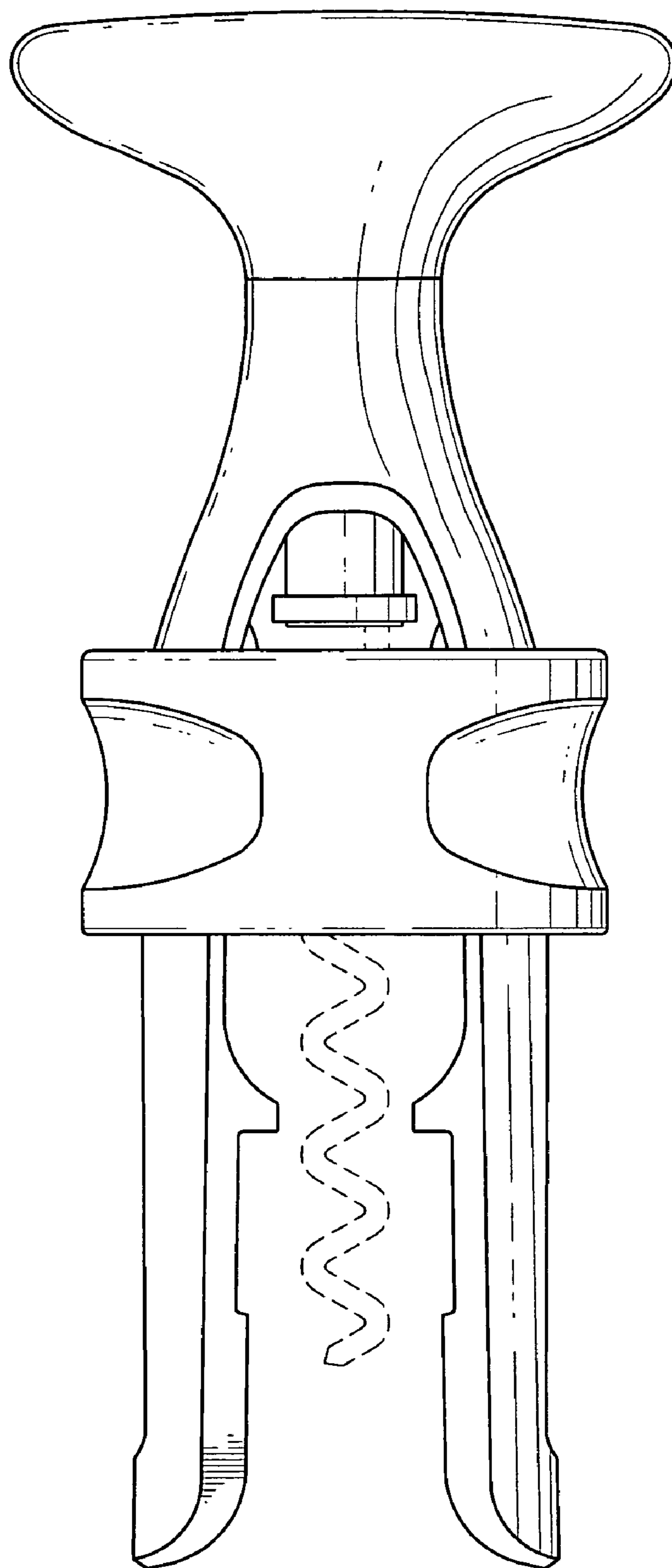


FIG. 4

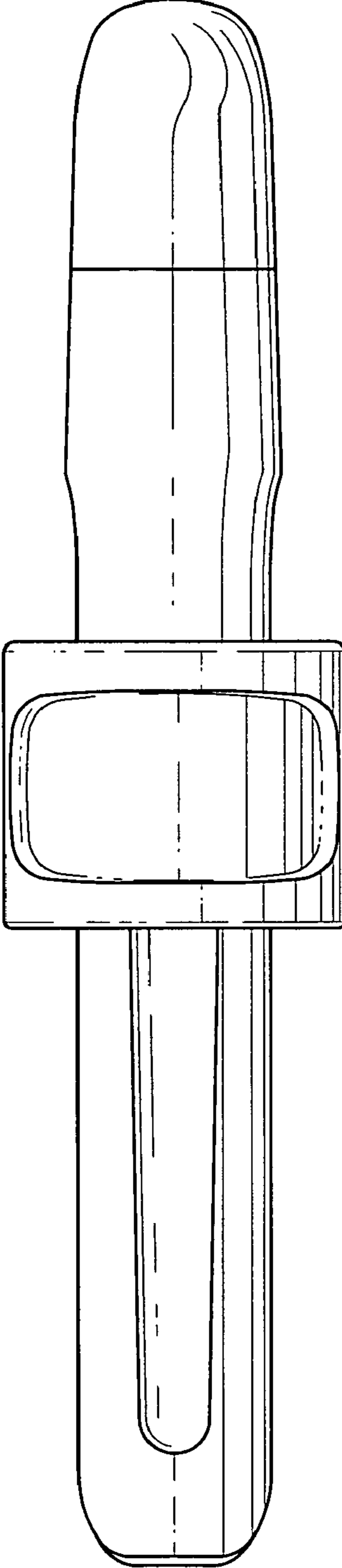
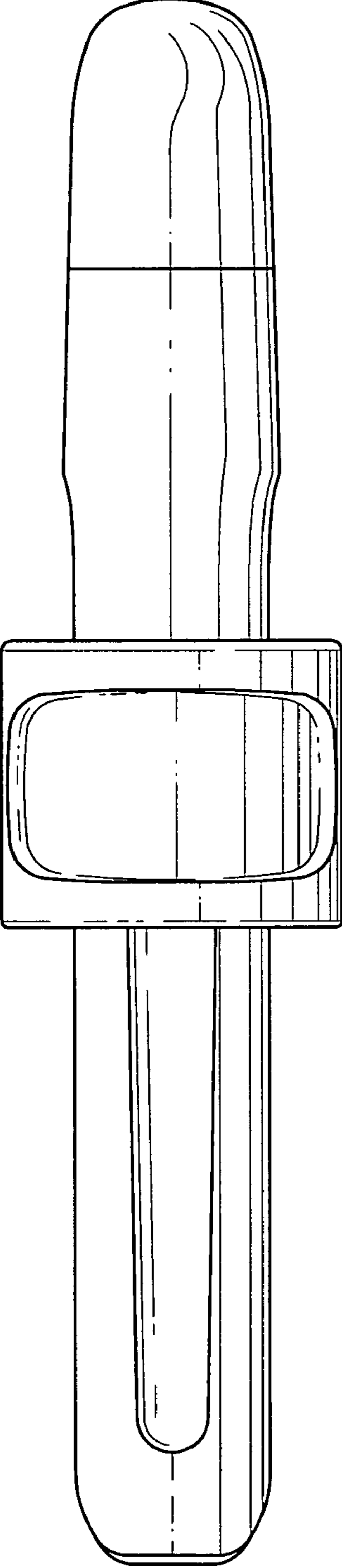


FIG. 5



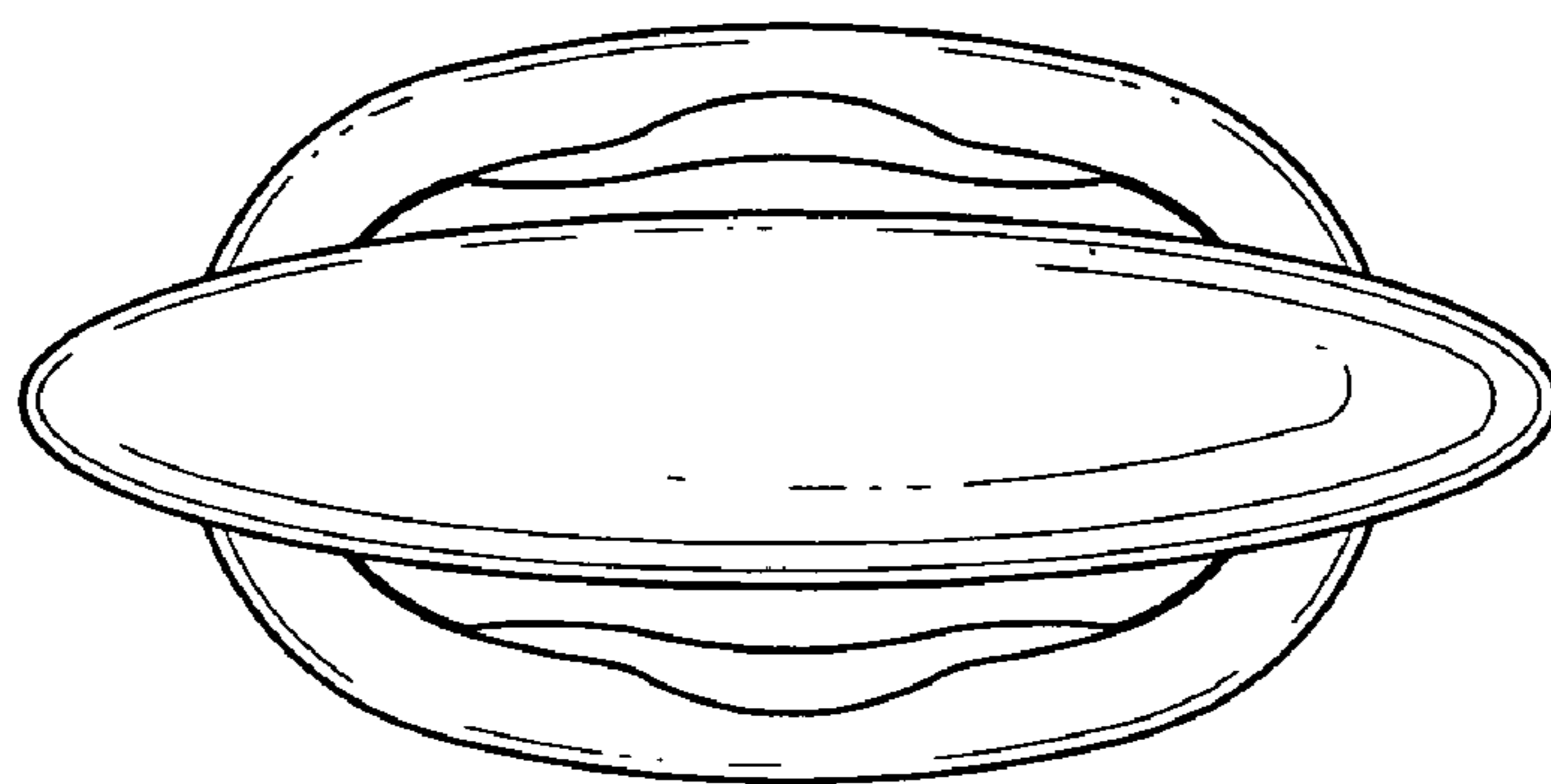


FIG. 6

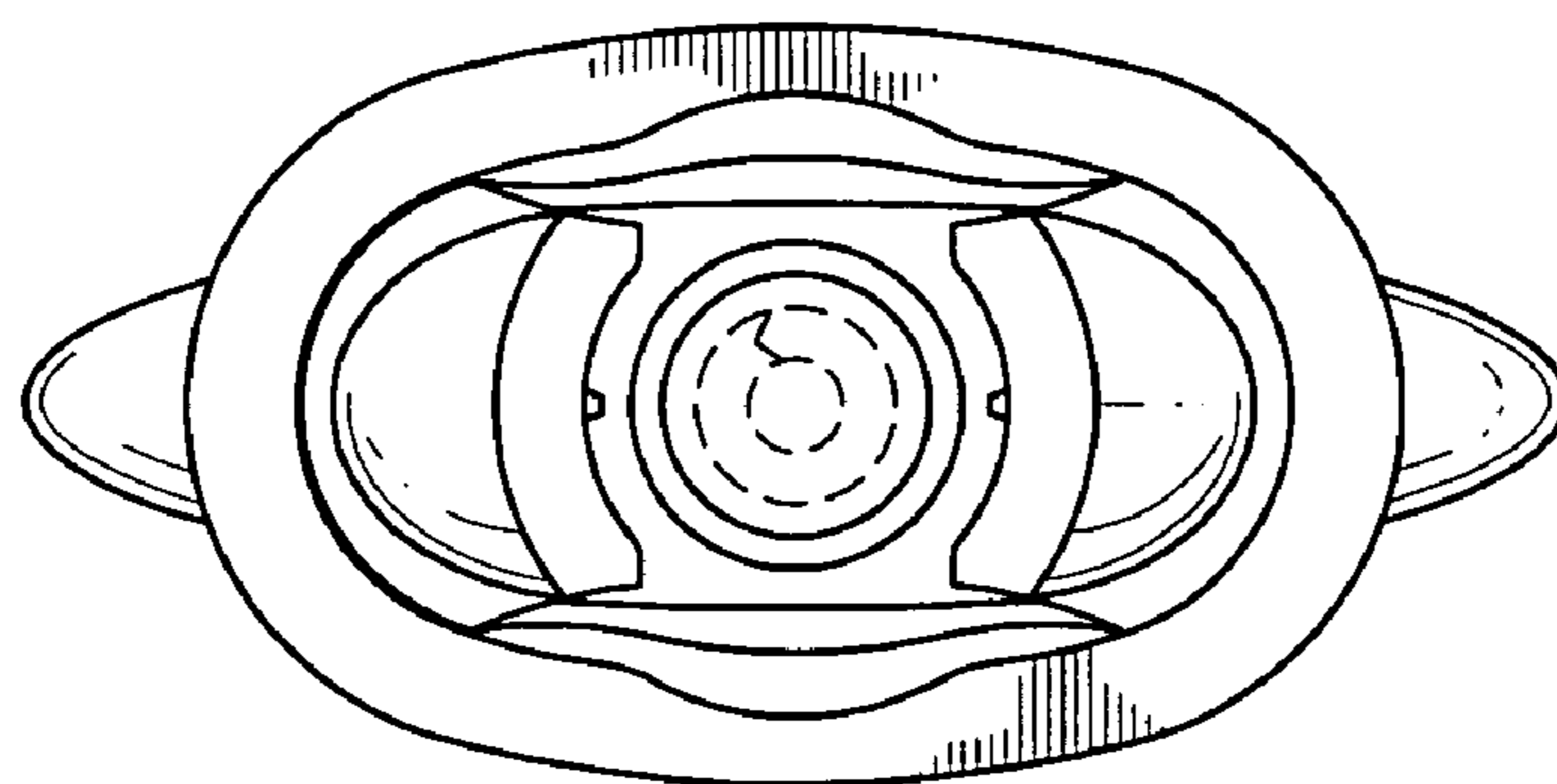


FIG. 7

FIG. 8

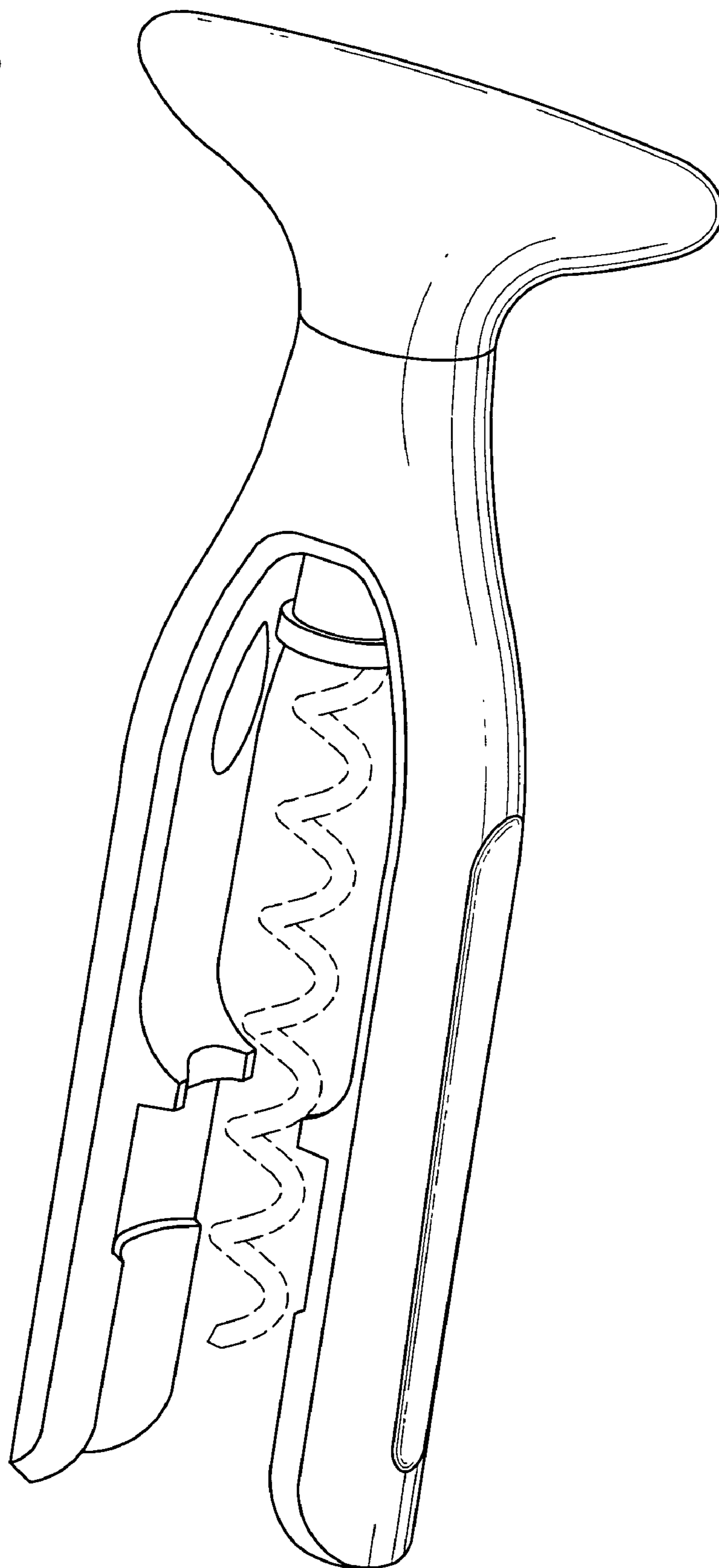


FIG. 9

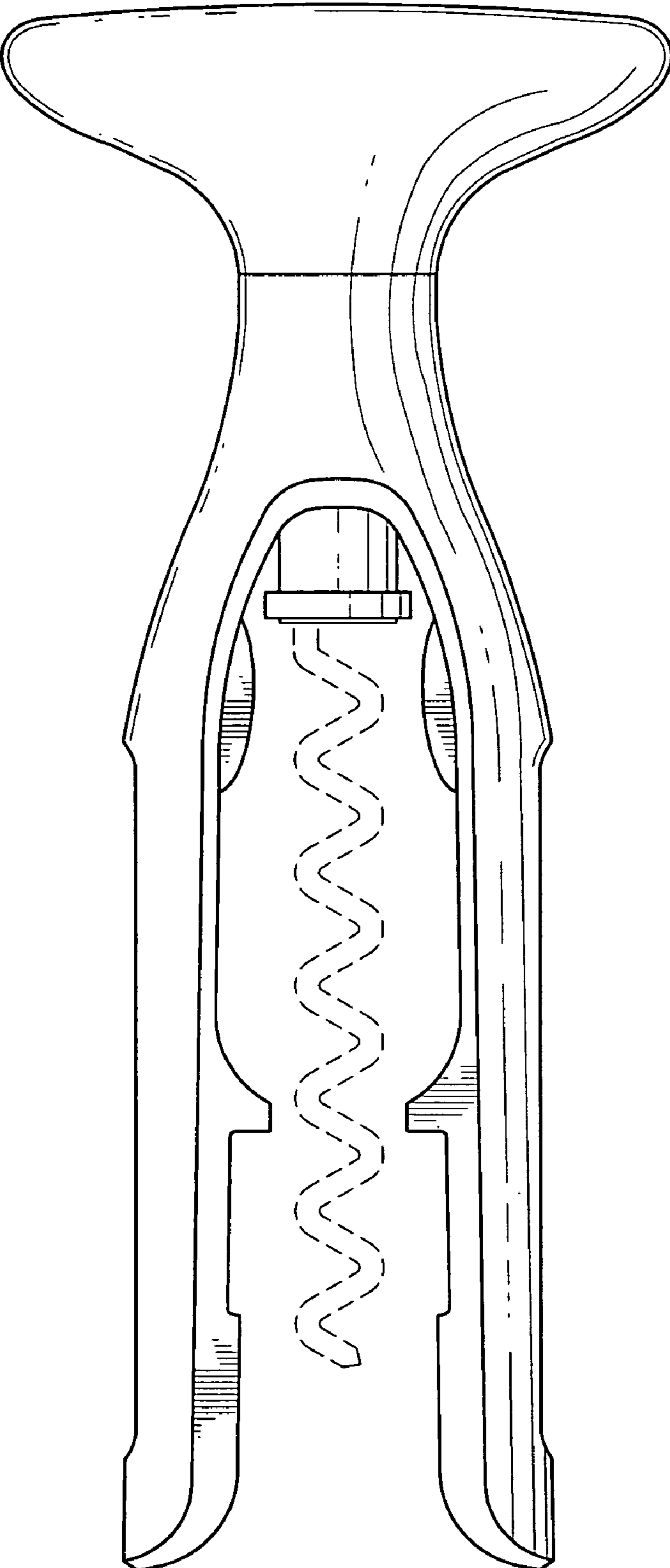


FIG. 10

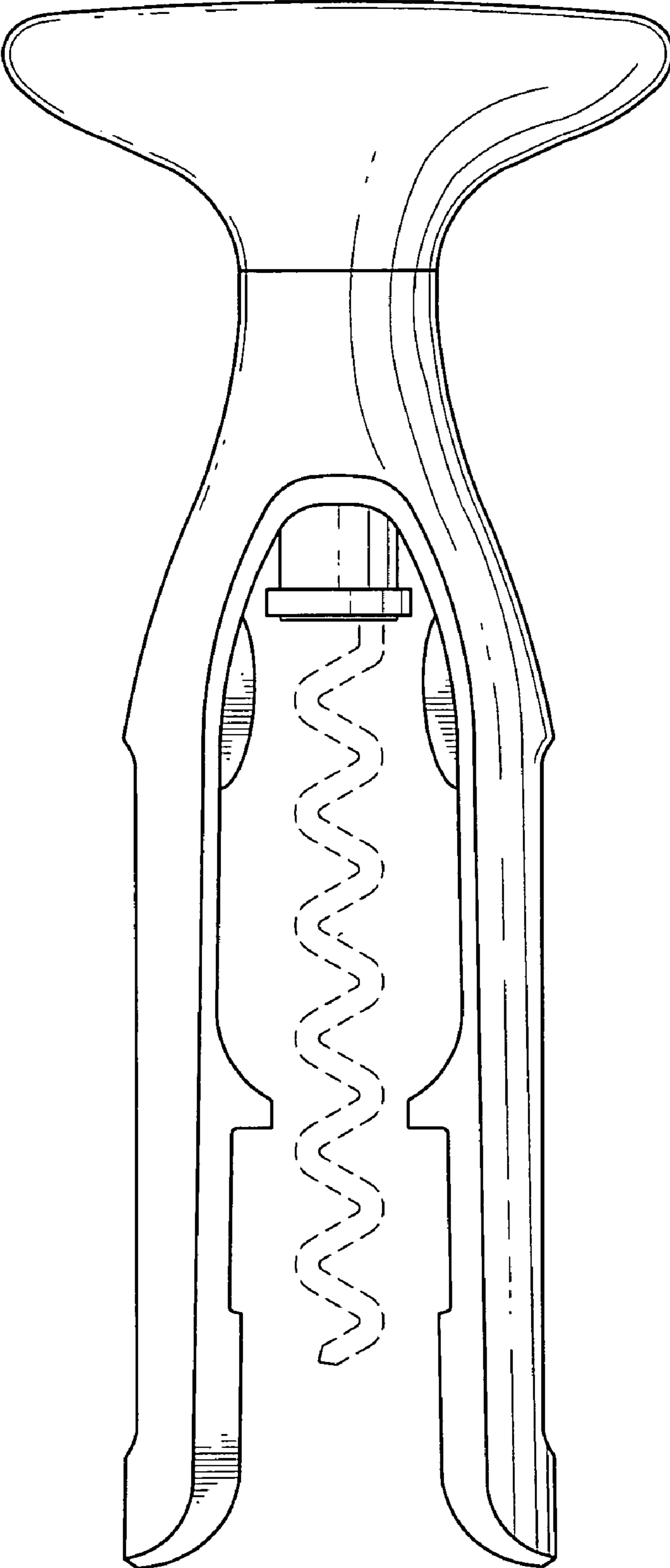


FIG. 11

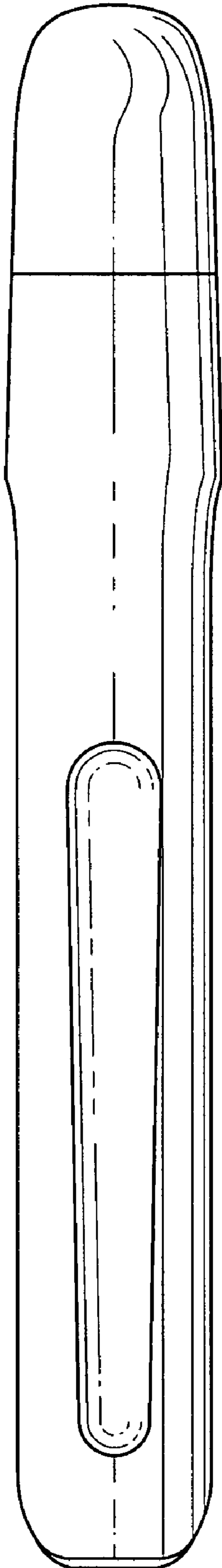
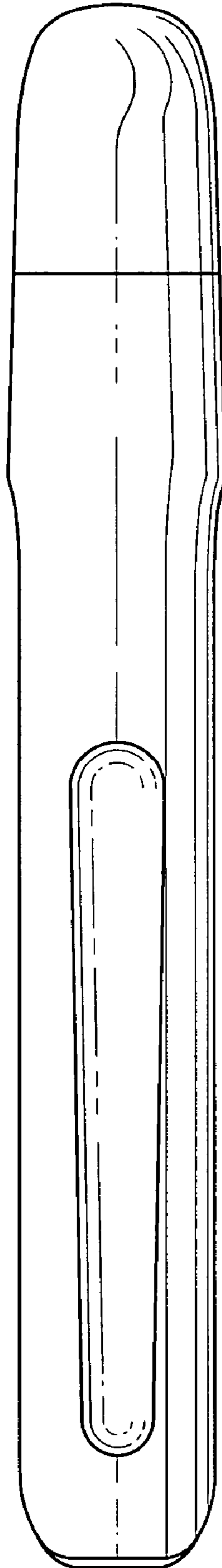


FIG. 12



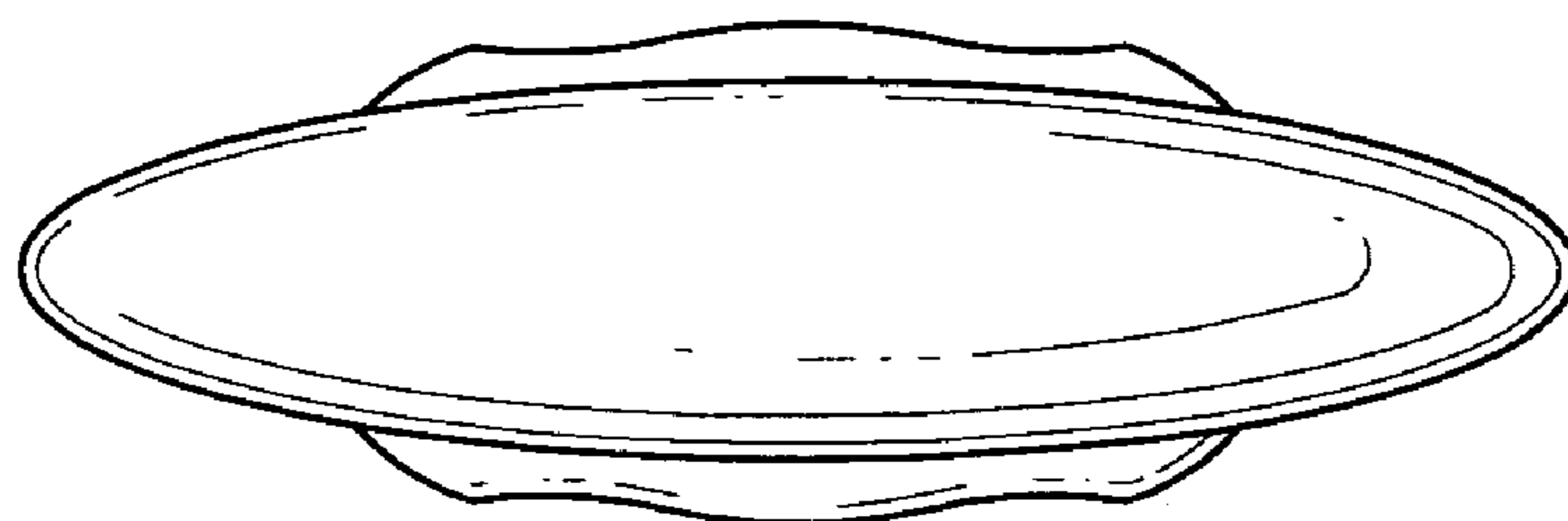


FIG. 13

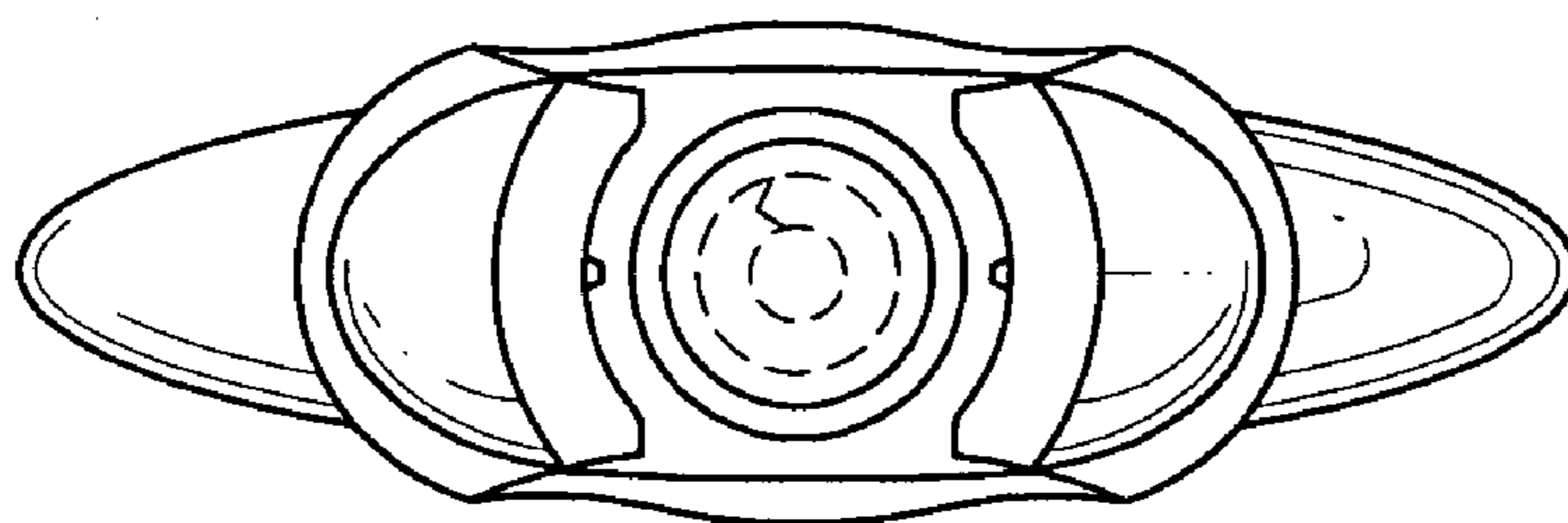


FIG. 14