



(12) **United States Design Patent**
DeBow

(10) **Patent No.:** **US D609,985 S**
(45) **Date of Patent:** **** Feb. 16, 2010**

(54) **CLOSED POCKET WRENCH**

(76) **Inventor:** **Thomas Wesley DeBow**, 1186
Monticello Rd., Napa, CA (US) 94558

(**) **Term:** **14 Years**

(21) **Appl. No.:** **29/311,317**

(22) **Filed:** **Feb. 18, 2009**

(51) **LOC (9) Cl.** **08-05**

(52) **U.S. Cl.** **D8/17**

(58) **Field of Classification Search** D8/17,
D8/21-29; 81/60, 177.1, 177.85, 121.1,
81/124.3, 165-170, 110.1, 176.2, 124.6,
81/176.1, 176.15, 177.2; 16/110.1; D15/144.1;
219/75, 227, 229, 121.16, 121.18
See application file for complete search history.

(56) **References Cited**

U.S. PATENT DOCUMENTS

54,293	A *	5/1866	Volpe	100/163 R
363,331	A	5/1887	Hammer		
510,108	A *	12/1893	Moshitta	182/25
564,625	A	7/1896	Kelsea		
1,322,331	A	11/1919	Needham		
1,350,890	A	8/1920	Tanzey		
D104,869	S	6/1937	McNaught		
D120,489	S *	5/1940	Musselman	D8/17
4,037,716	A	7/1977	Marks		
D257,383	S	10/1980	Davenport		
D276,787	S	12/1984	Burns		
D292,477	S	10/1987	Shyi-Kuan		
4,946,030	A	8/1990	Guridi et al.		
D311,313	S	10/1990	Whiteside		
D360,117	S	7/1995	Mobile		
5,620,090	A	4/1997	Beeley		

D445,655	S	7/2001	Maddox		
D562,622	S	2/2008	Weaver		
D566,613	S	4/2008	Weitman		
D603,230	S *	11/2009	DeBow	D8/17
2006/0011016	A1	1/2006	Potts		
2007/0079668	A1	4/2007	Jensen		

OTHER PUBLICATIONS

U.S. Appl. No. 29/311,316, DeBow.

* cited by examiner

Primary Examiner—Raphael Barkai

Assistant Examiner—Randall H Gholson

(74) *Attorney, Agent, or Firm*—Donald Grant Kelly

(57) **CLAIM**

The ornamental design for a closed pocket wrench, as shown and described.

DESCRIPTION

The present application is related to concurrently filed, co-pending U.S. Design patent application Ser. No. 29/311,316 presented by Thomas Wesley DeBow and titled Open Pocket Wrench.

FIG. 1 is a front, top and side perspective view of a closed pocket wrench showing the new design;

FIG. 2 is a top plan view thereof;

FIG. 3 is a bottom plan view thereof;

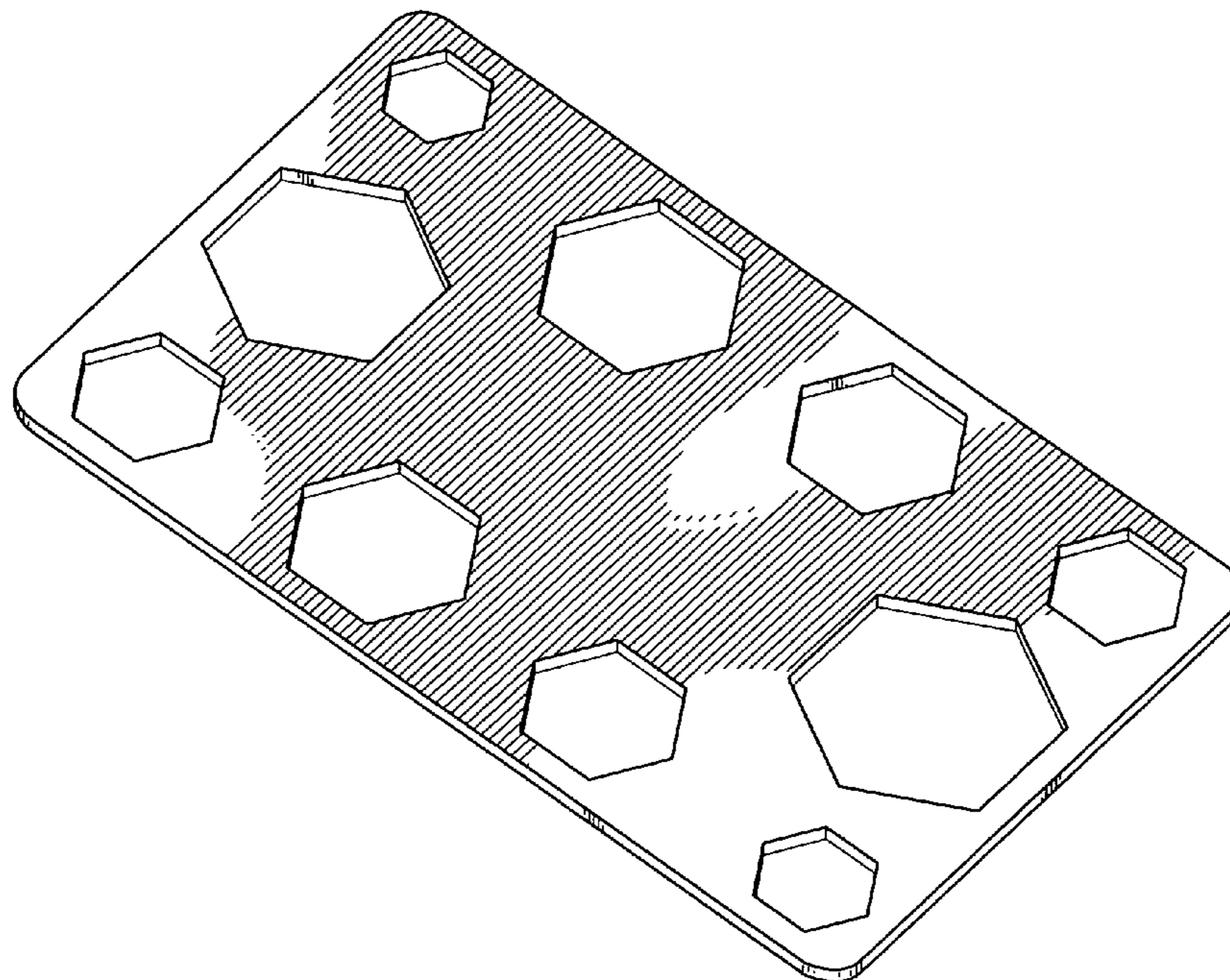
FIG. 4 is a left side elevation view thereof;

FIG. 5 is a right side elevation view thereof;

FIG. 6 is a front elevation view thereof; and,

FIG. 7 is a rear elevation view thereof.

1 Claim, 3 Drawing Sheets



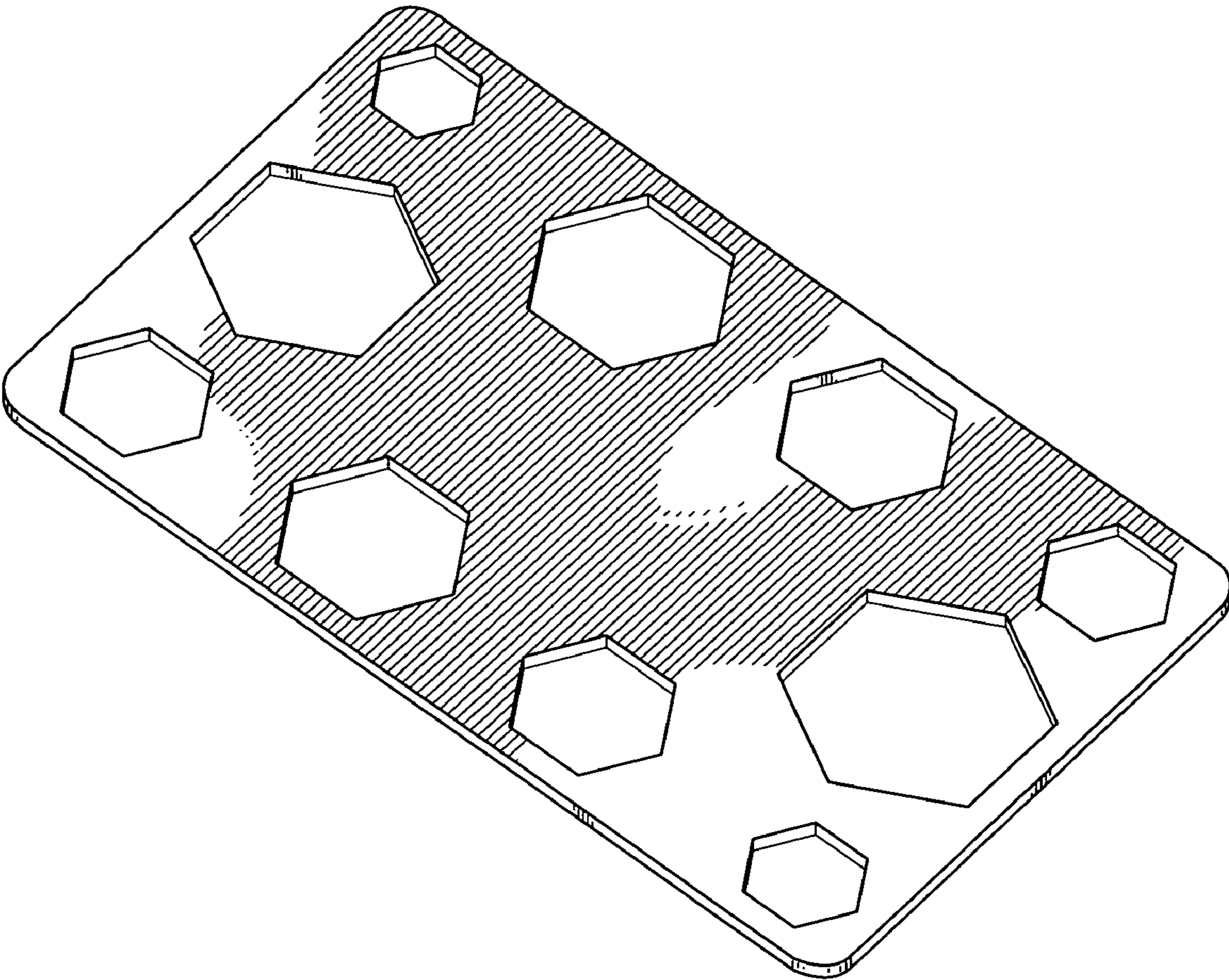


FIG. 1

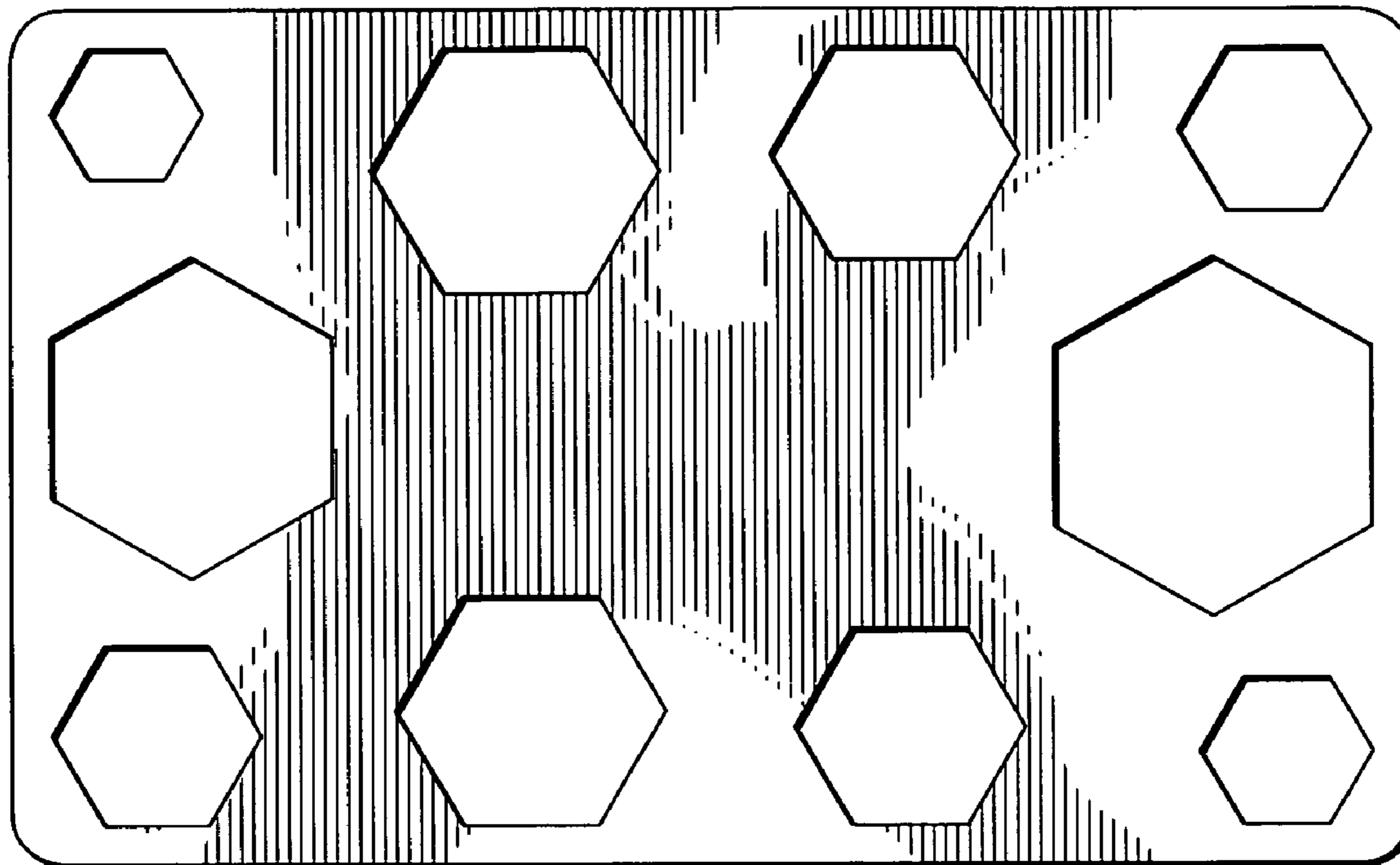


FIG. 2

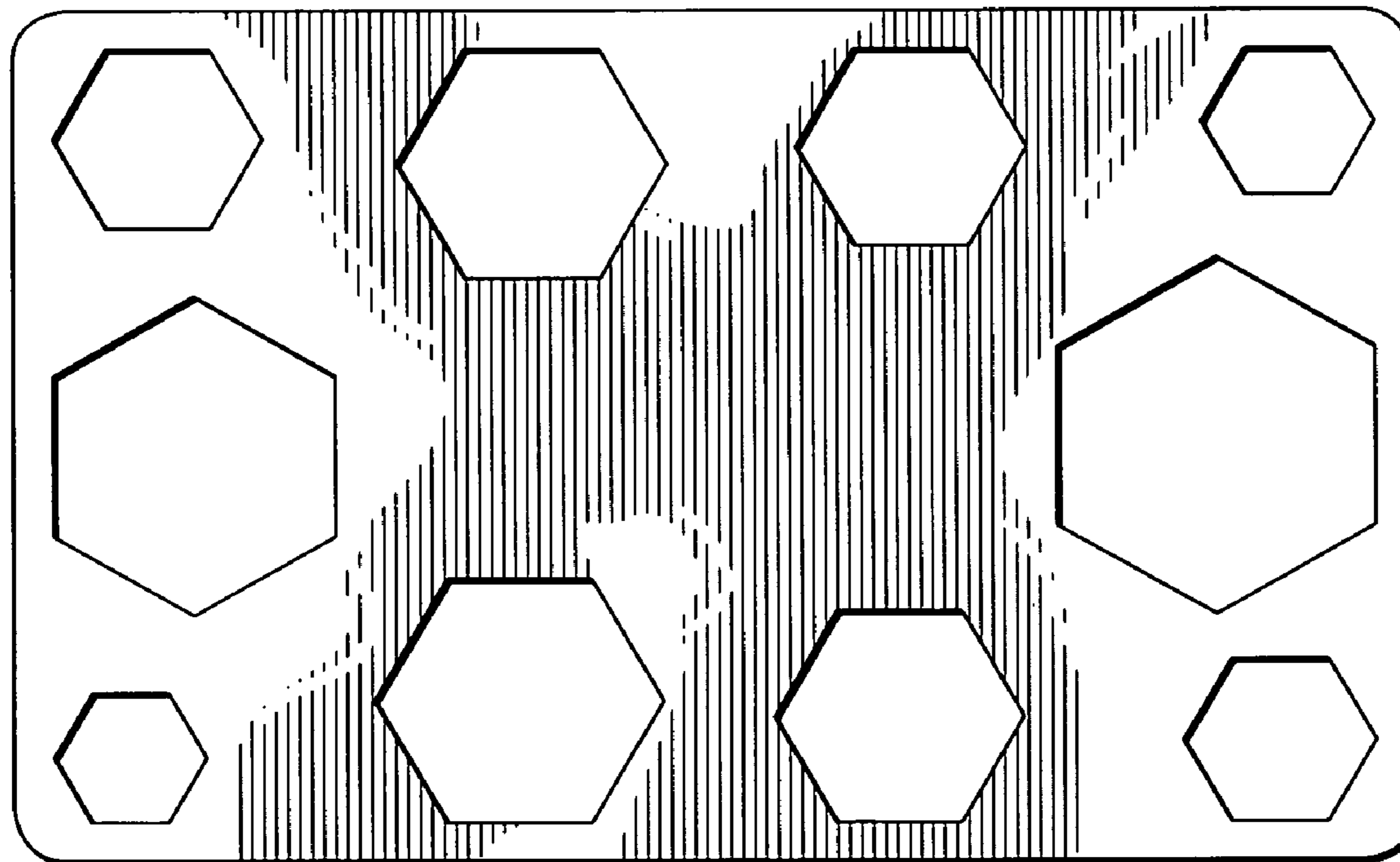


FIG. 3



FIG. 4

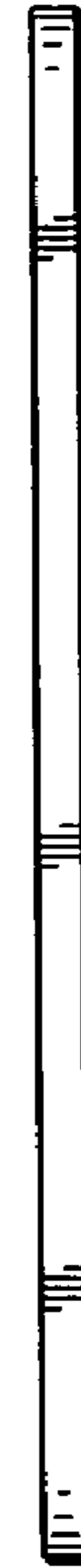


FIG. 5



FIG. 6



FIG. 7