



US00D609984S

(12) **United States Design Patent**
Magness

(10) **Patent No.:** **US D609,984 S**

(45) **Date of Patent:** **** Feb. 16, 2010**

(54) **HOUSE PLANT WATERING DEVICE**

(76) Inventor: **David Magness**, P.O. Box 415, East Olympia, WA (US) 98540

(**) Term: **14 Years**

(21) Appl. No.: **29/312,974**

(22) Filed: **Nov. 26, 2008**

(51) **LOC (9) Cl.** **08-01**

(52) **U.S. Cl.** **D8/2**

(58) **Field of Classification Search** D8/1, D8/2; D23/225; D15/13; 239/172, 373
See application file for complete search history.

(56) **References Cited**

U.S. PATENT DOCUMENTS

D188,941 S	10/1960	Hudson	
3,837,539 A	9/1974	Schlegel	
D235,996 S *	7/1975	Schneider D15/13
D271,533 S	11/1983	Kinder	
4,621,770 A	11/1986	Sayen	
D298,328 S	11/1988	Keough et al.	
4,798,233 A *	1/1989	Mooney 141/38
4,865,255 A	9/1989	Luvisotto	
D306,477 S	3/1990	Weiss	
D307,589 S	5/1990	Ridgeon	
5,511,341 A	4/1996	Payne	
5,810,213 A *	9/1998	Flores et al. 222/610
D399,853 S	10/1998	Prosper et al.	
D421,204 S *	2/2000	McBride D8/2
6,135,361 A	10/2000	Grassi	
D445,970 S	7/2001	Taylor	
D576,703 S	9/2008	Nathan et al.	

* cited by examiner

Primary Examiner—Holly H Baynham

Assistant Examiner—Sheryl Lane

(74) *Attorney, Agent, or Firm*—Brian J. Coyne

(57) **CLAIM**

I claim the ornamental design for a house plant watering device, as shown and described.

DESCRIPTION

FIG. 1 is a front, perspective view of my design, including a fragmentary view of a water hose portion extending forward from the water tank portion of the design, ready for use;

FIG. 2 is a right side view thereof;

FIG. 3 is a left side view thereof;

FIG. 4 is a top plan view thereof;

FIG. 5 is a bottom plan view thereof;

FIG. 6 is a rear elevational view thereof;

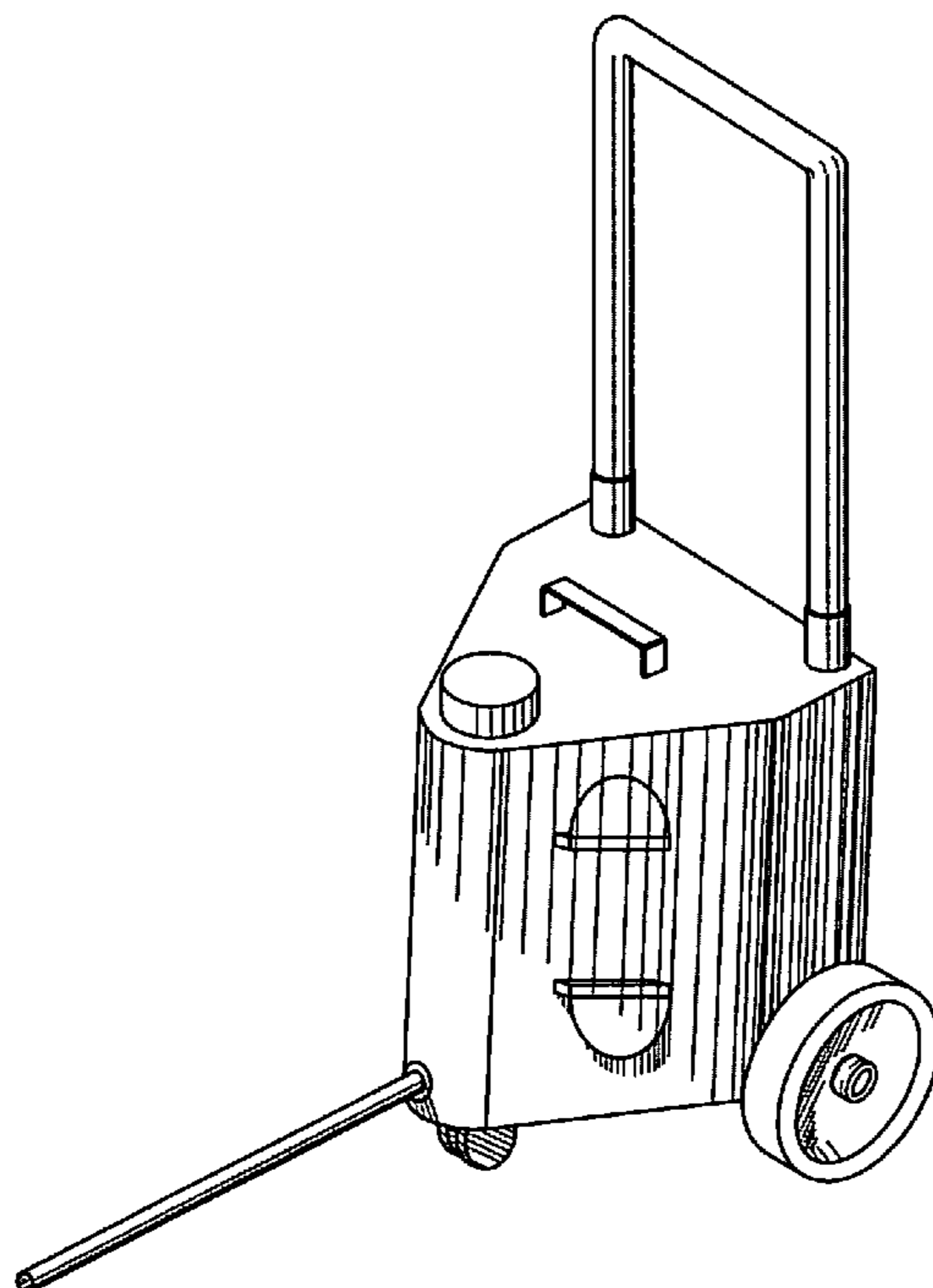
FIG. 7 is a front elevational view thereof;

FIG. 8 is a left side view thereof, showing said water hose portion wrapped around hose support brackets and a watering wand mounted on a distal end of the hose portion stored by attachment to said left side; and,

FIG. 9 is an enlarged view of rectangular portion 9 of FIG. 8 depicting said watering wand.

The broken line box in the drawing of FIG. 8 is to highlight the portion of the claim that is shown enlarged in FIG. 9. The broken line portion of the watering wand in FIG. 9 is to show where the rest of the hose would continue on from.

1 Claim, 9 Drawing Sheets



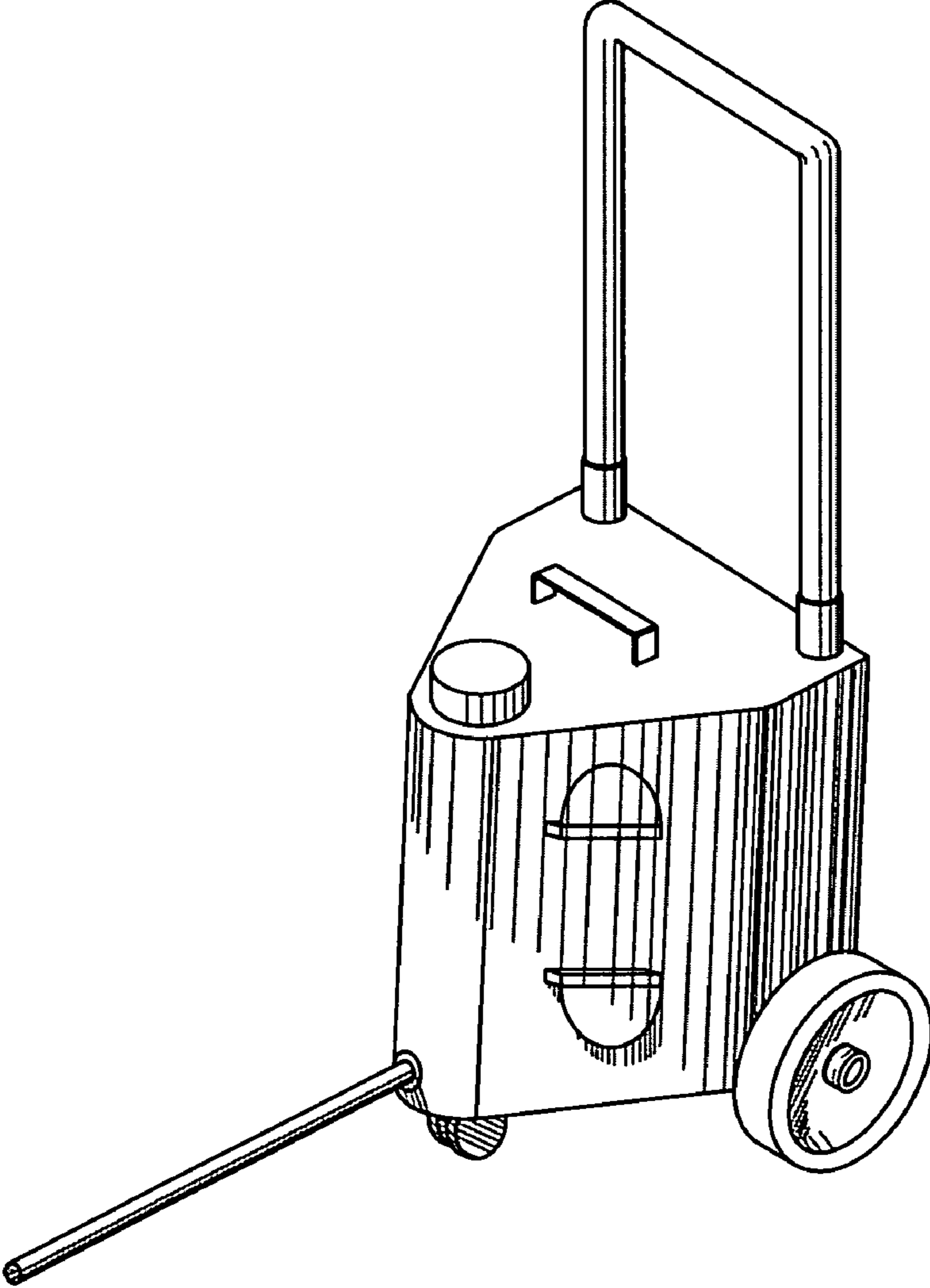


FIG. 1

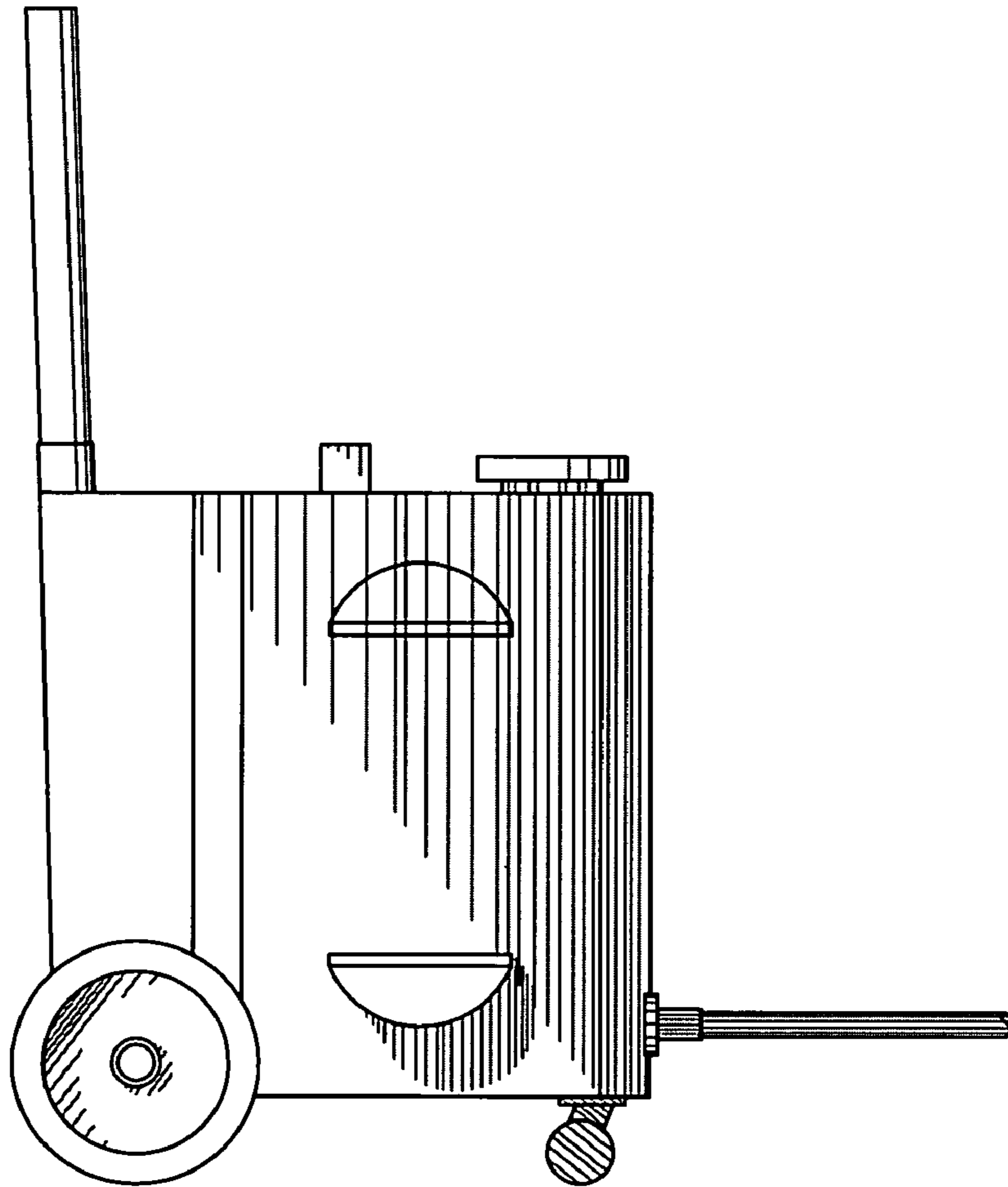


FIG. 2

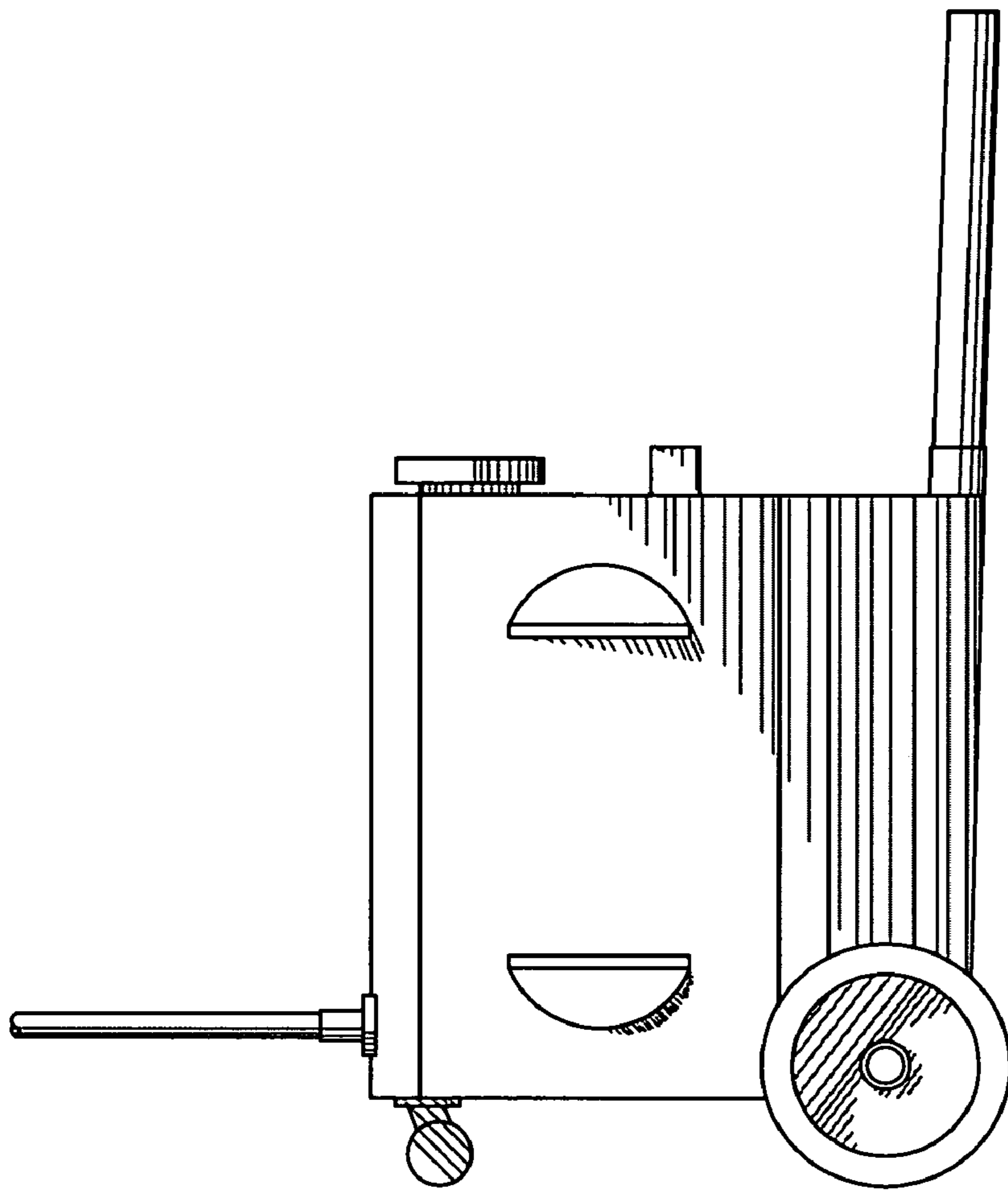


FIG. 3

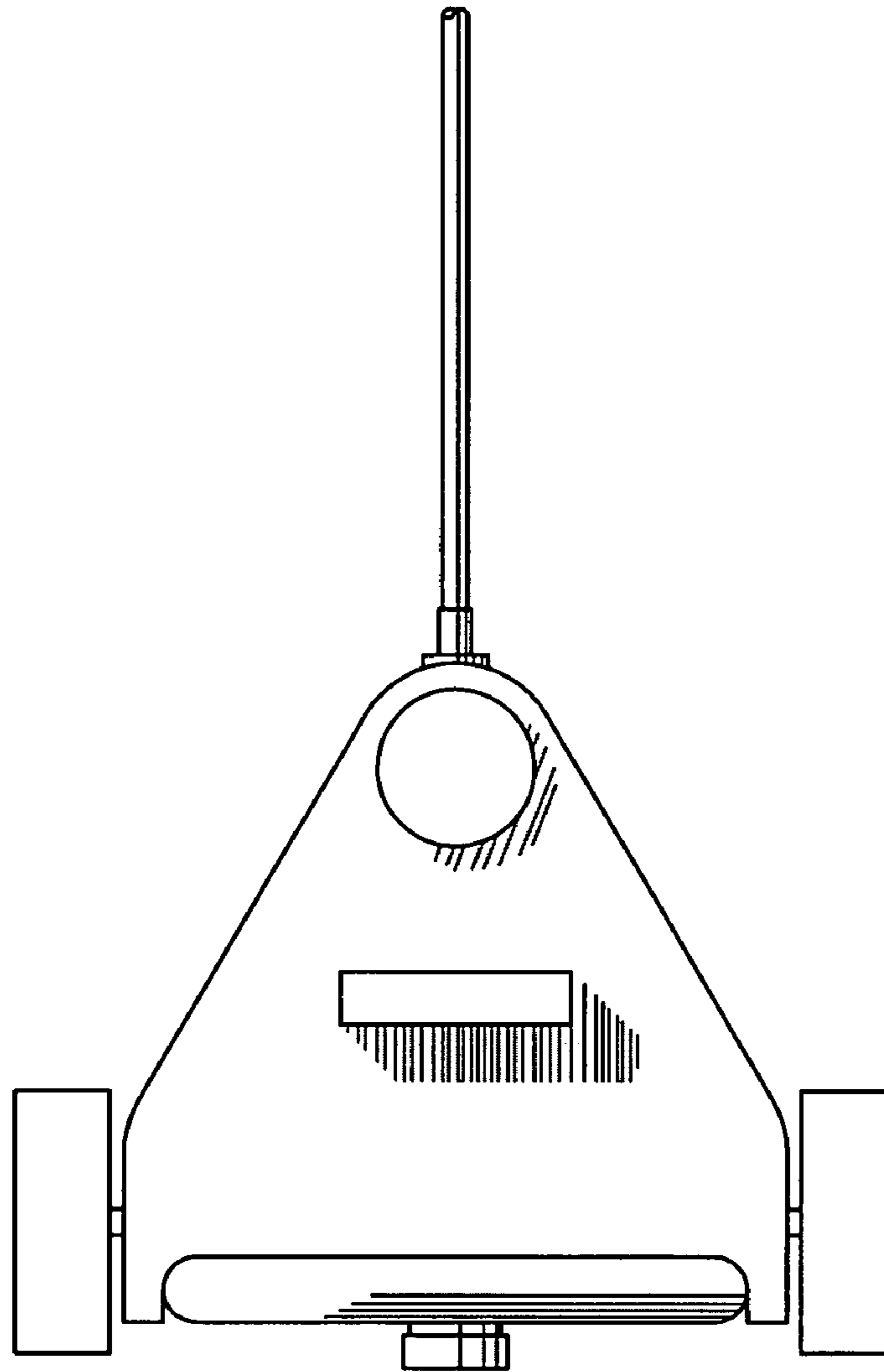


FIG. 4

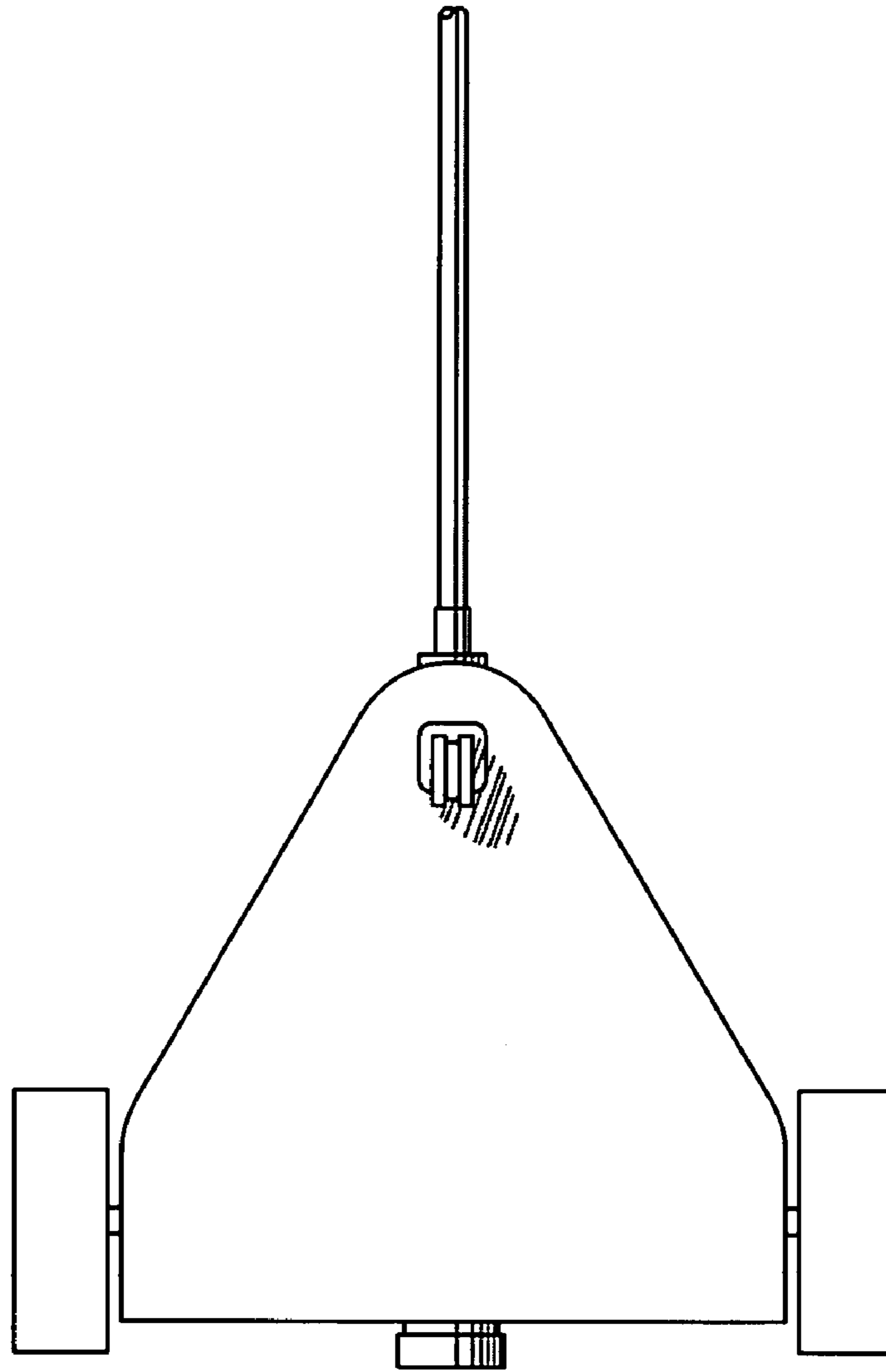


FIG. 5

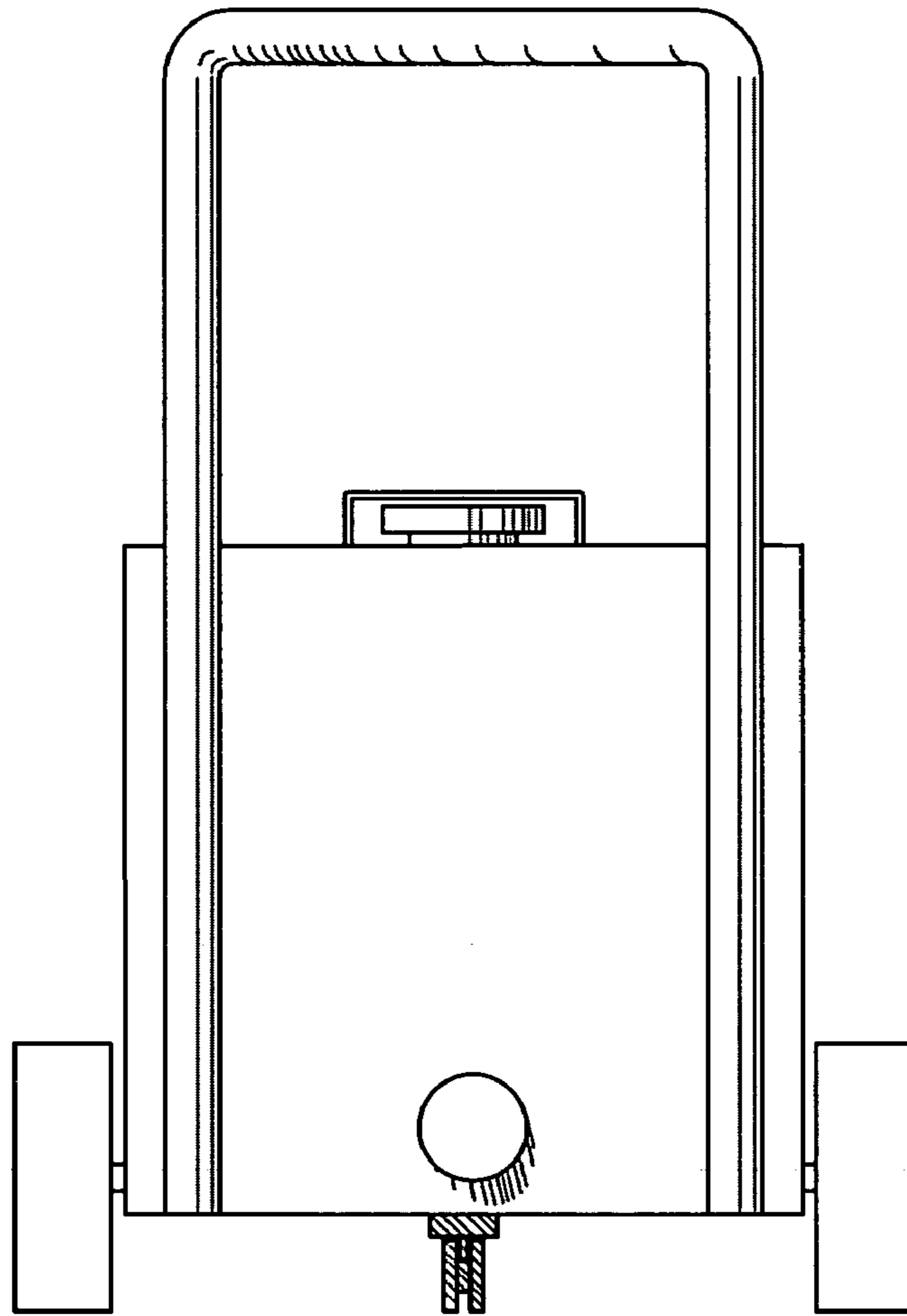


FIG. 6

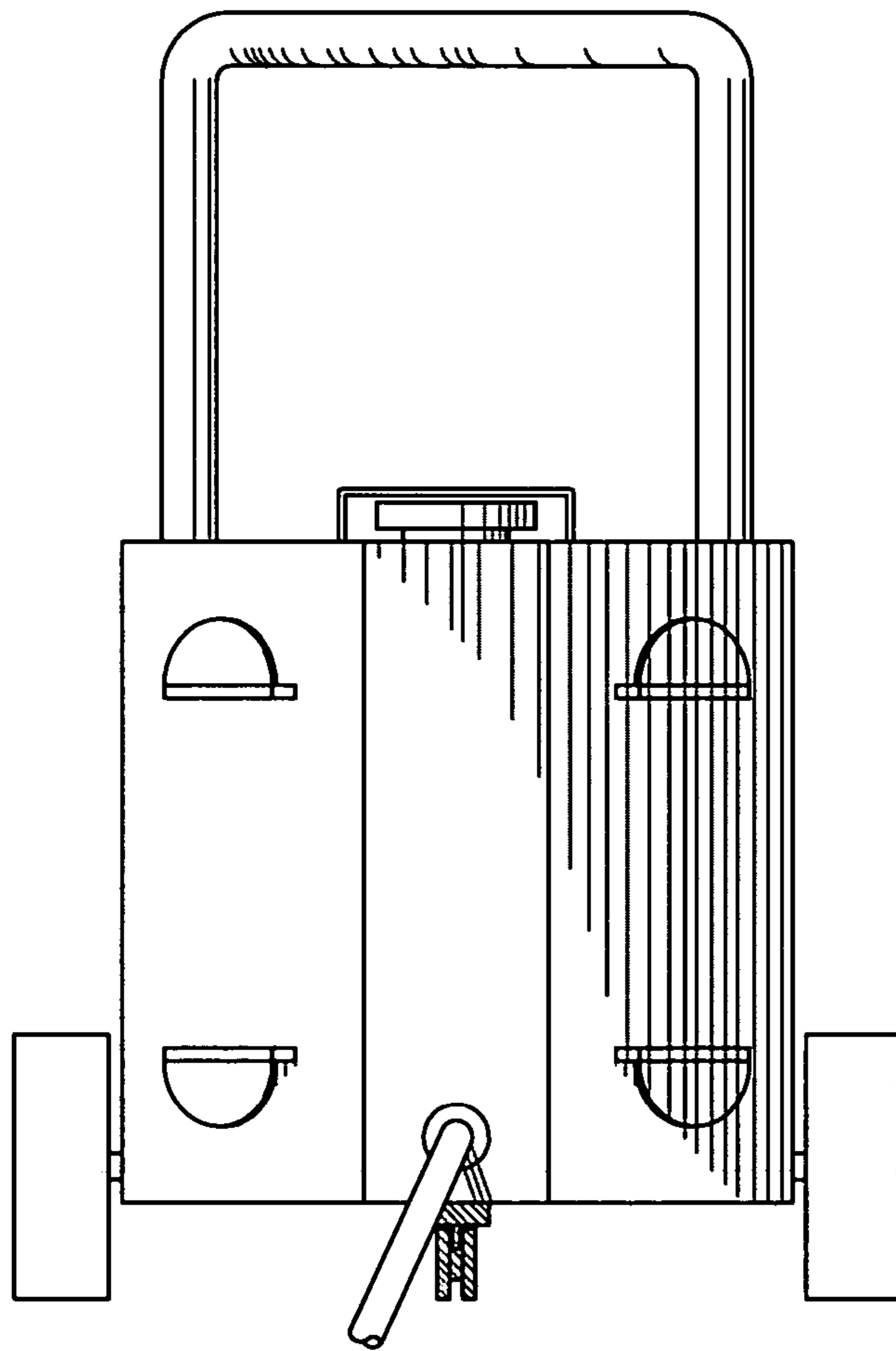


FIG. 7

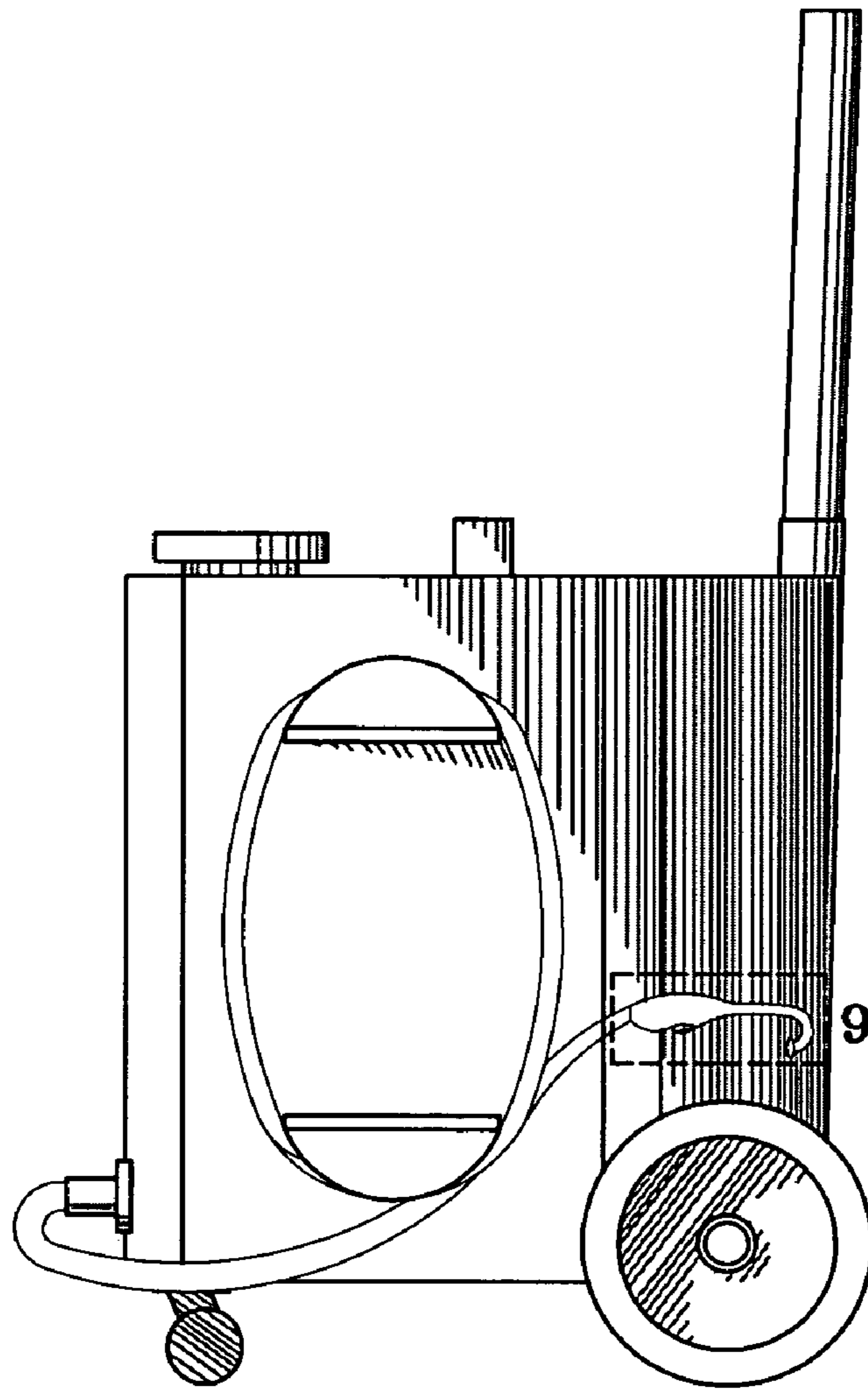


FIG. 8

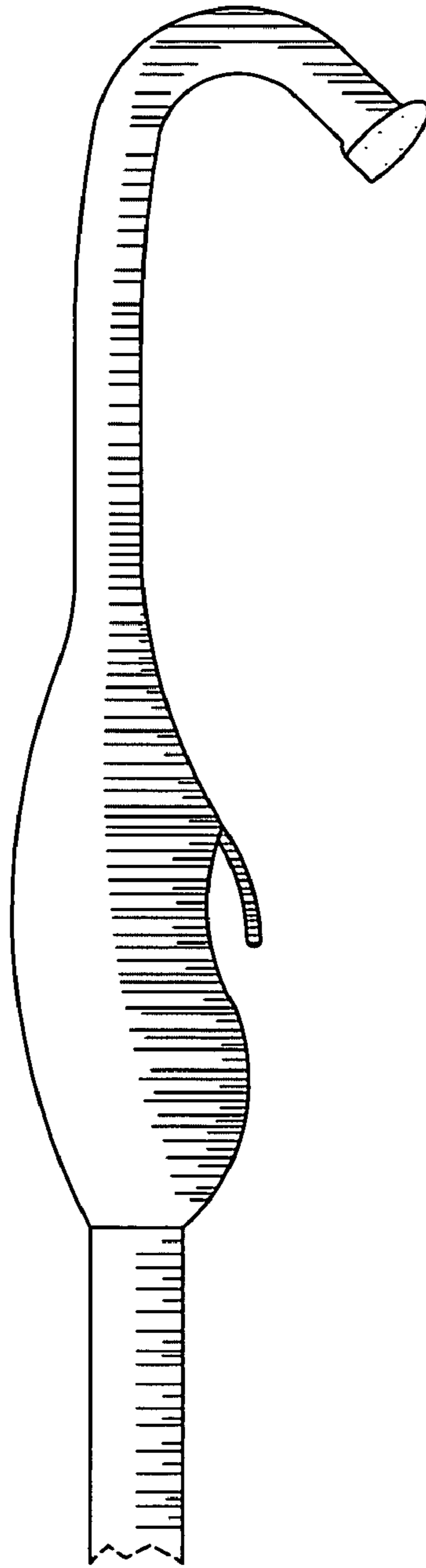


FIG. 9