



US00D609979S

(12) **United States Design Patent**
Soibel et al.

(10) **Patent No.:** **US D609,979 S**

(45) **Date of Patent:** **** Feb. 16, 2010**

(54) **CONTAINER**

(75) Inventors: **Randy B. Soibel**, Chicago, IL (US);
Gregory S. Heichel, Warrenville, IL (US)

(73) Assignee: **WKI Holding Company, Inc.**,
Rosemont, IL (US)

(**) Term: **14 Years**

(21) Appl. No.: **29/334,178**

(22) Filed: **Mar. 21, 2009**

(51) **LOC (9) Cl.** **07-01**

(52) **U.S. Cl.** **D7/629; D7/610**

(58) **Field of Classification Search** D7/601,
D7/602, 612-615, 610, 629, 538-542; D9/761,
D9/414, 424-432; 220/574-575, 780-806
See application file for complete search history.

(56) **References Cited**

U.S. PATENT DOCUMENTS

D479,952 S	*	9/2003	Zimmerman	D7/610
D484,005 S	*	12/2003	Levien	D7/610
D504,281 S	*	4/2005	Duggan	D7/540
D522,813 S	*	6/2006	Swinford et al.	D7/610

* cited by examiner

Primary Examiner—Terry A Wallace

(74) *Attorney, Agent, or Firm*—McDermott Will & Emery LLP

(57) **CLAIM**

We claim the ornamental design for a container, as shown and described.

DESCRIPTION

FIG. 1 is a perspective view of a container according to the new design;

FIG. 2 is a top view of a container according to the new design shown in FIG. 1;

FIG. 3 is a bottom view of a container according to the new design shown in FIG. 1;

FIG. 4 is a front view of a container according to the new design shown in FIG. 1;

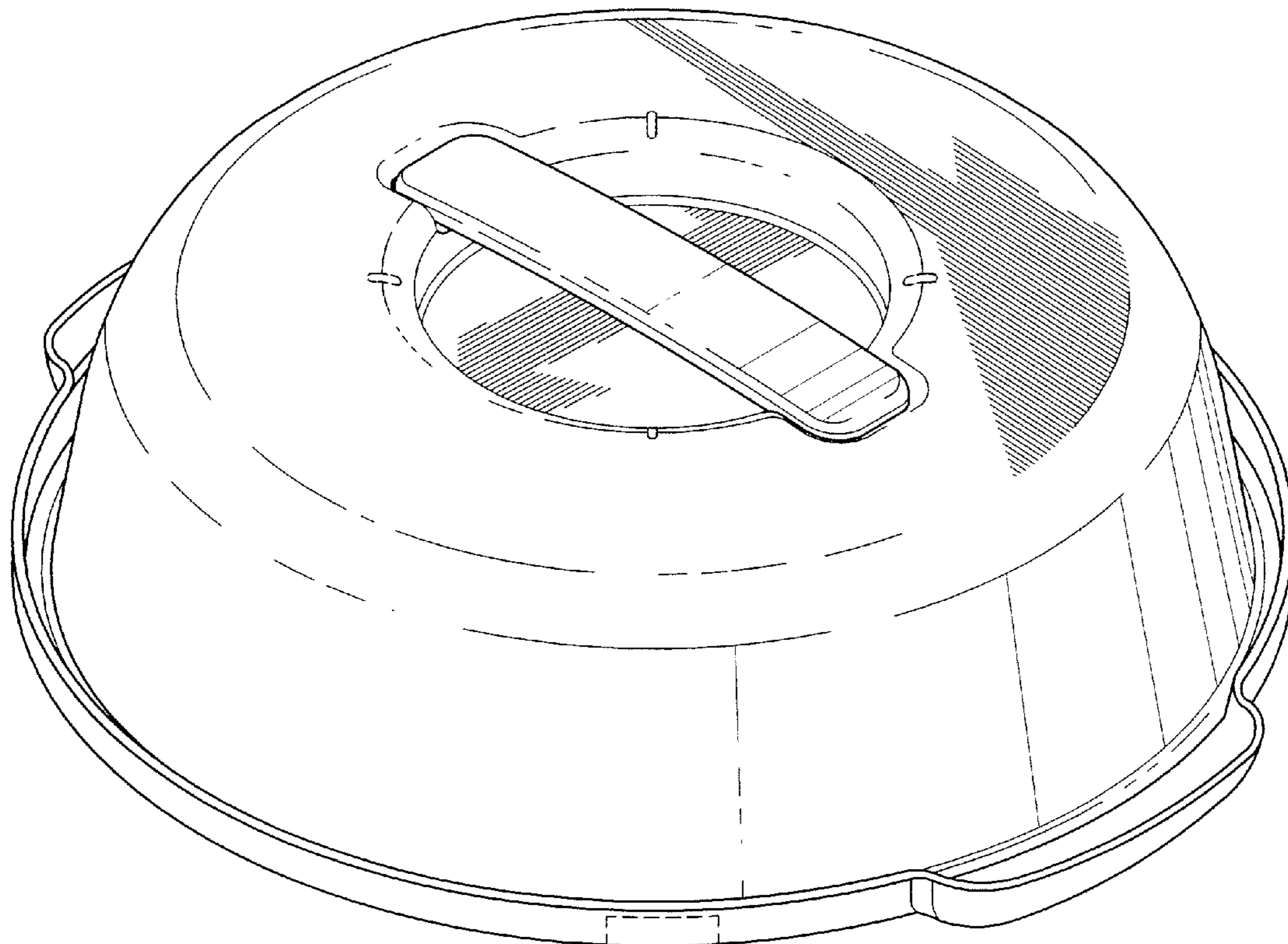
FIG. 5 is a rear view of a container according to the new design shown in FIG. 1;

FIG. 6 is a left side elevation view of the container shown in FIG. 1; and,

FIG. 7 is a right side elevation view of the container shown in FIG. 1.

Features shown in broken lines form no part of the claimed design.

1 Claim, 5 Drawing Sheets



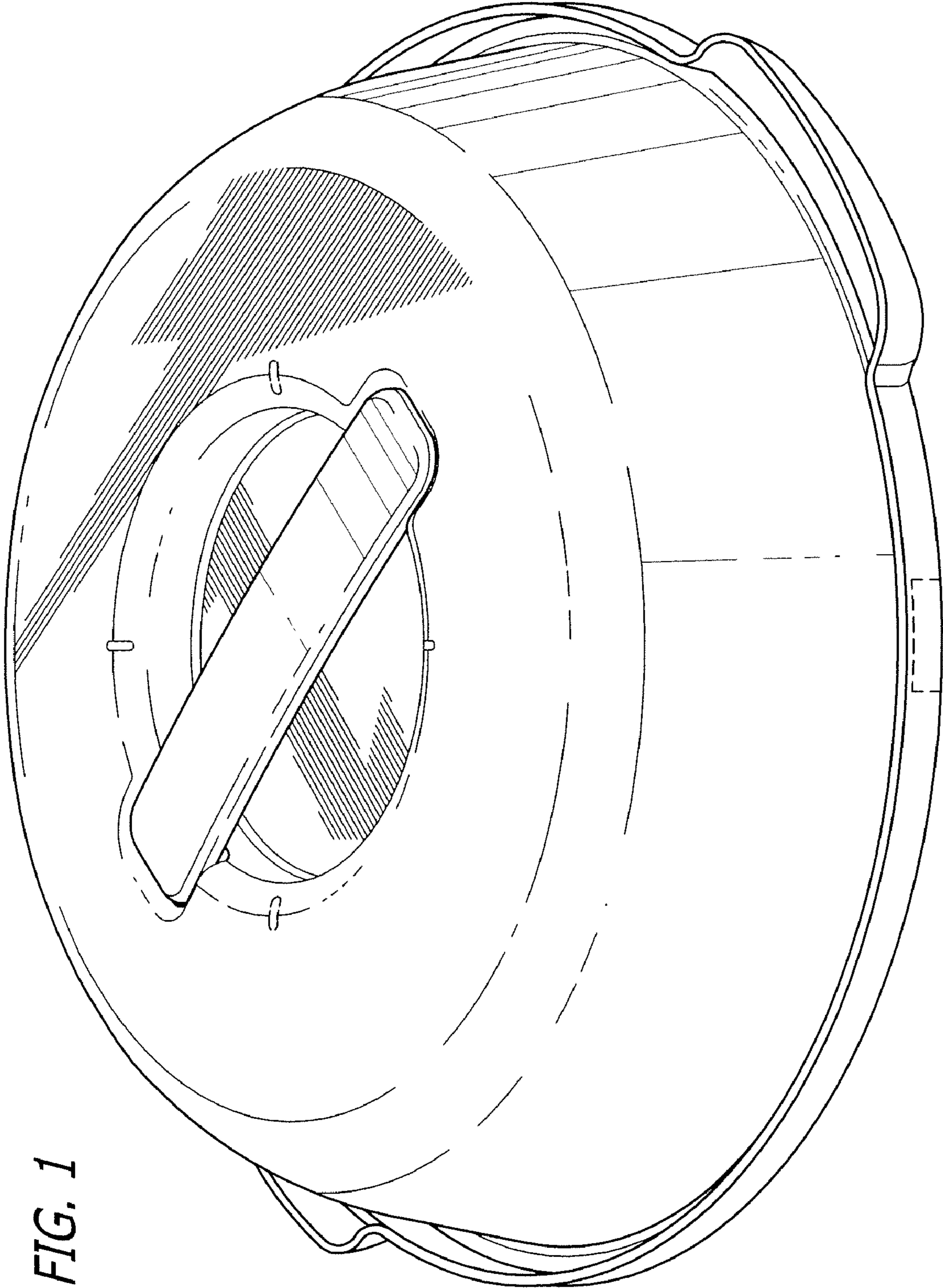


FIG. 1

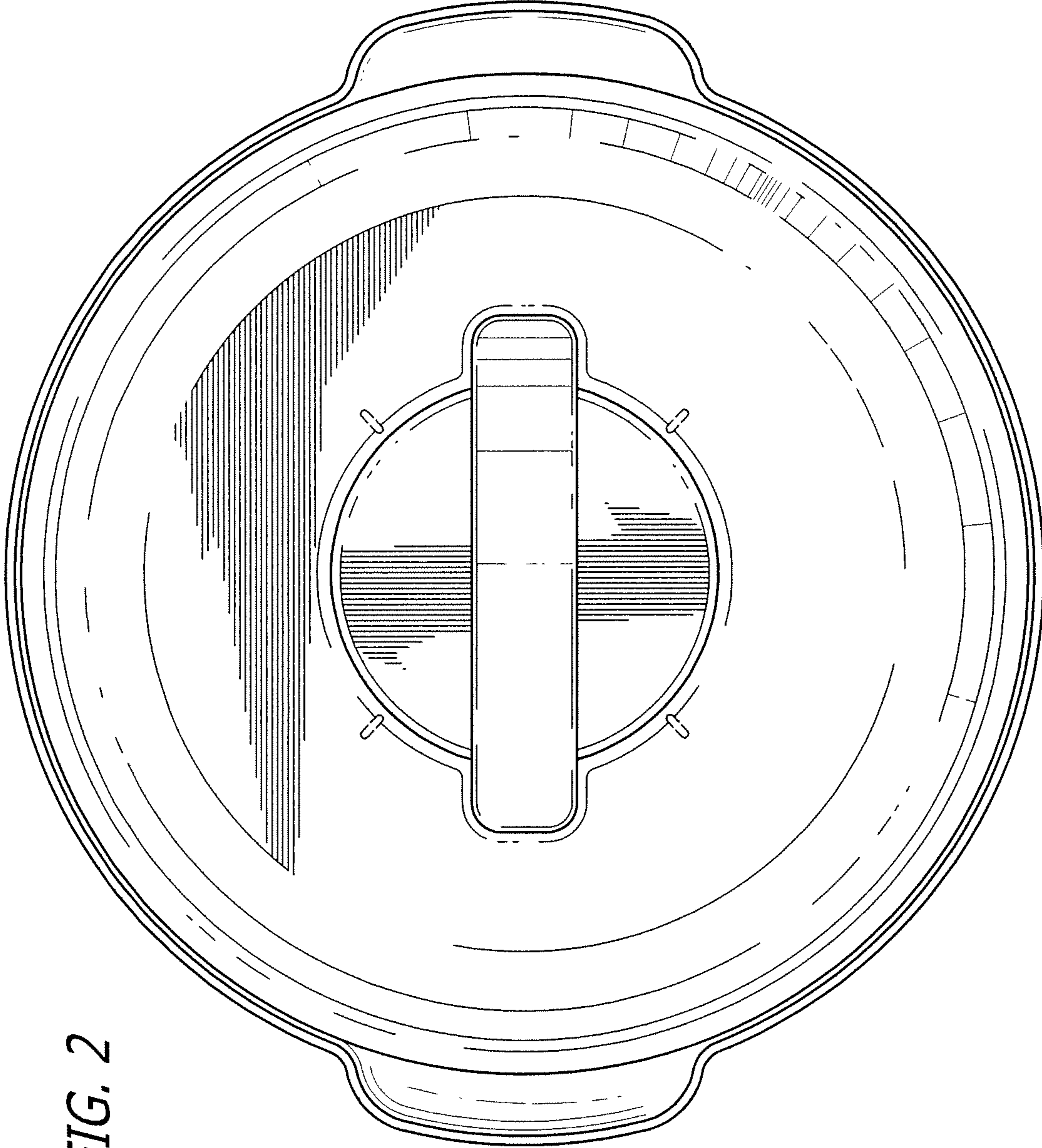


FIG. 2

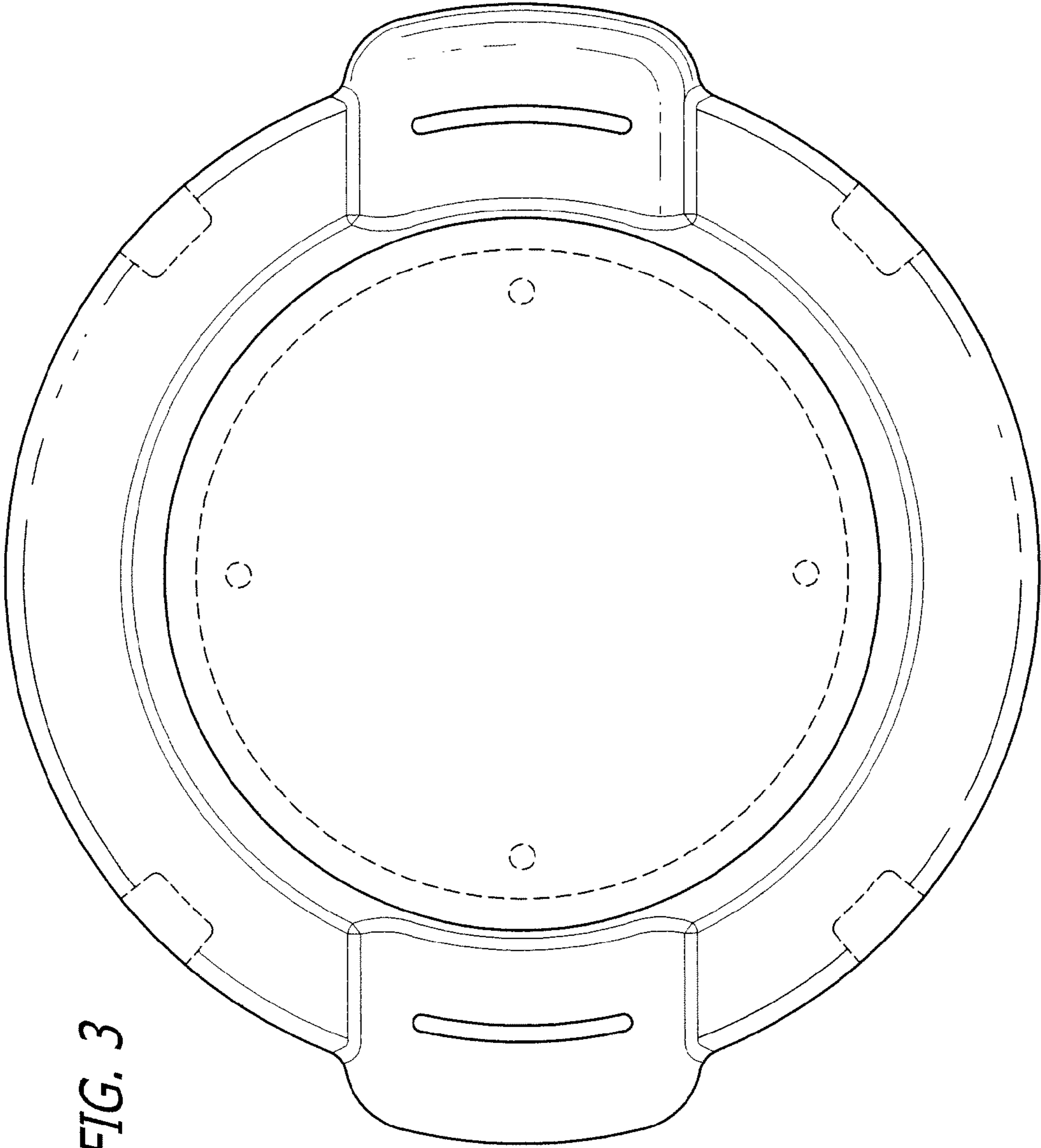


FIG. 3

FIG. 4

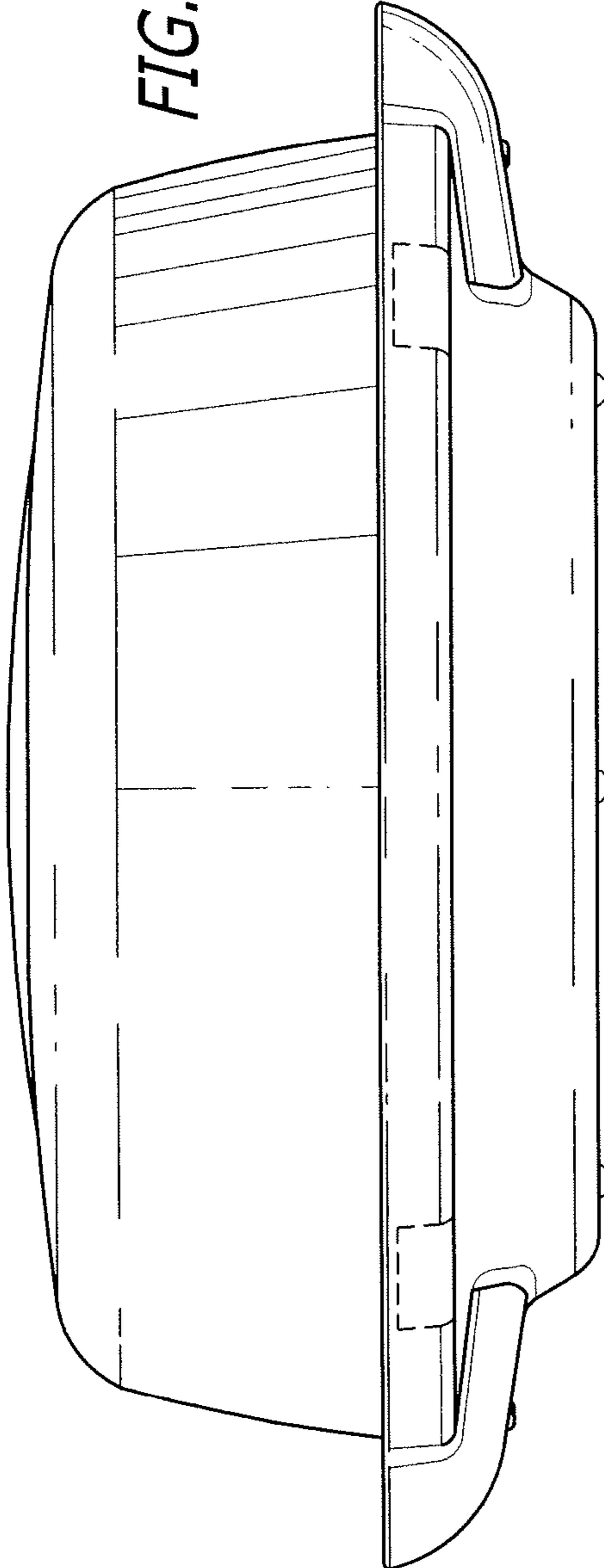


FIG. 5

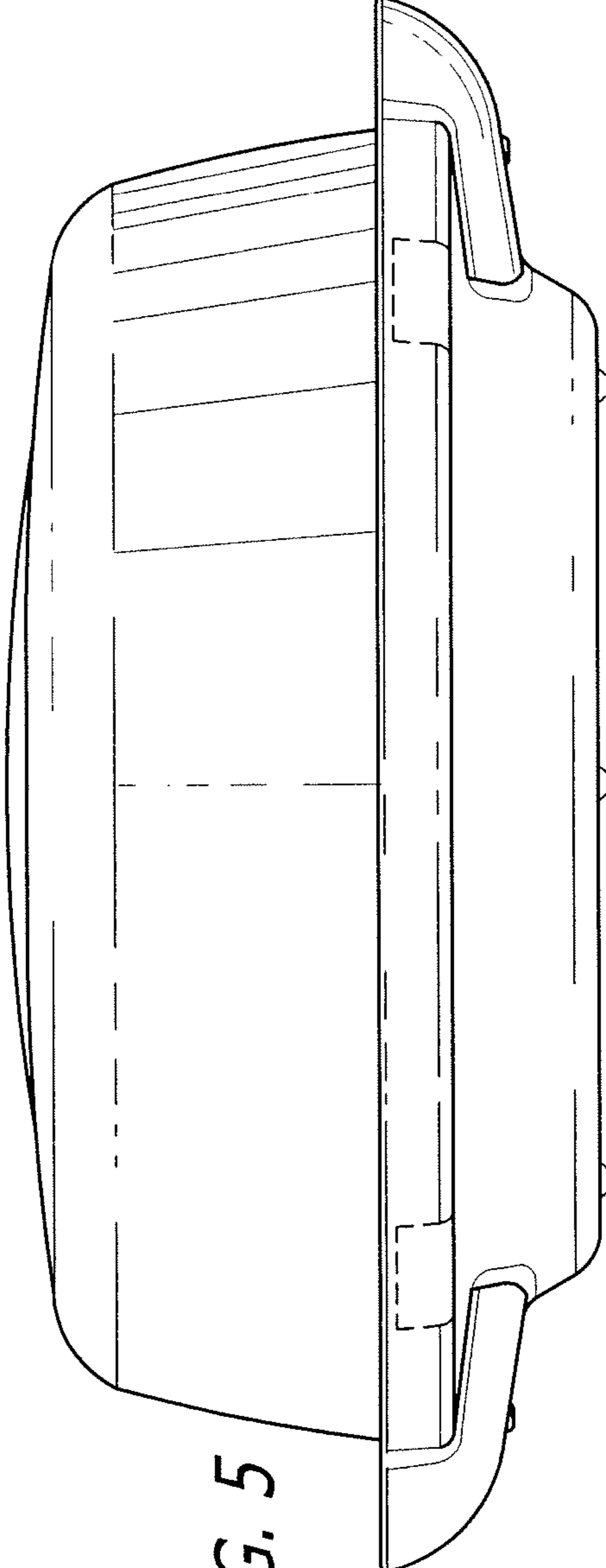


FIG. 6

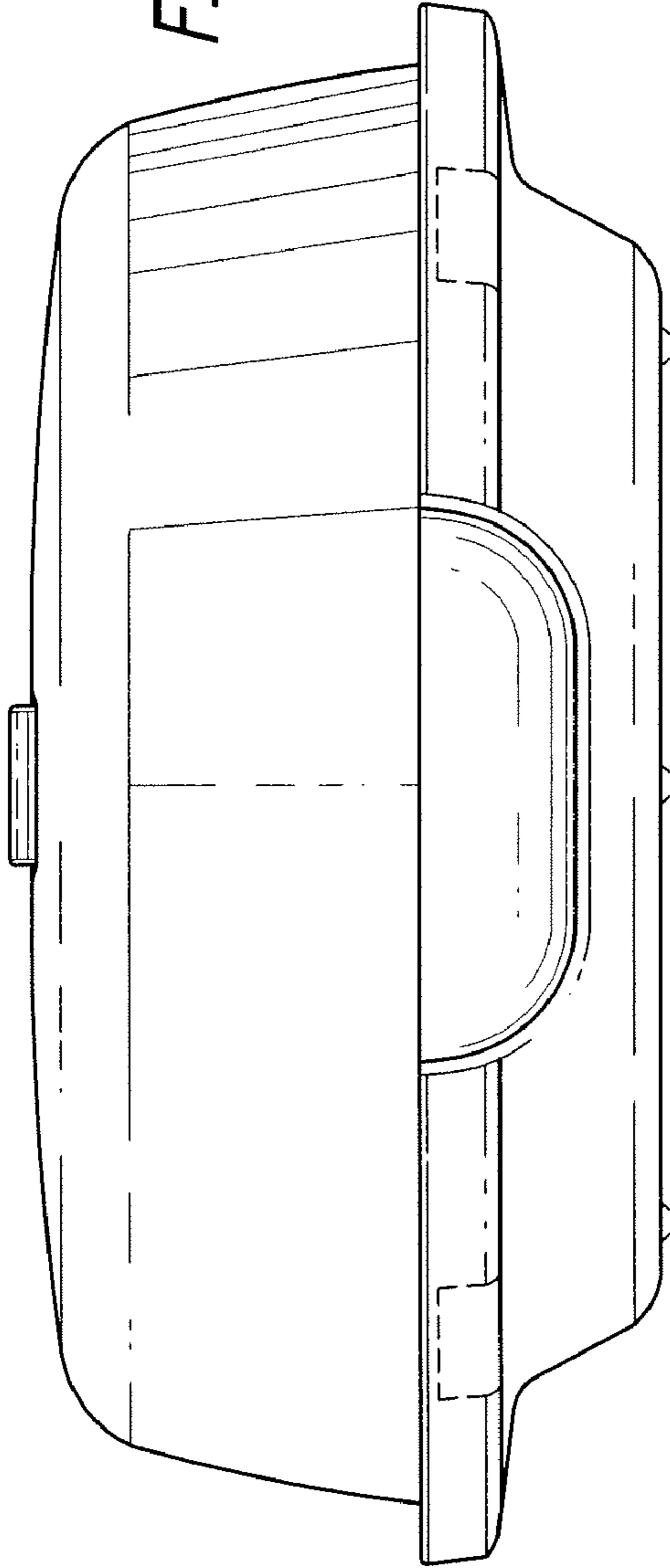


FIG. 7

