



US00D609978S

(12) **United States Design Patent**
Davidson

(10) **Patent No.:** **US D609,978 S**
(45) **Date of Patent:** **** Feb. 16, 2010**

(54) **CONTAINER**

(75) Inventor: **Katie Davidson**, London (GB)
(73) Assignee: **Quodpod Limited**, London (GB)
(**) Term: **14 Years**
(21) Appl. No.: **29/311,544**
(22) Filed: **Apr. 17, 2009**

(51) **LOC (9) Cl.** **07-07**
(52) **U.S. Cl.** **D7/629; D7/709**
(58) **Field of Classification Search** D7/601,
D7/602, 629, 608, 709, 710; 206/541, 545,
206/223, 546, 549, 503, 509; 220/915.1,
220/915.2, 4.27; 62/457.1-457.8, 371, 372;
D28/73, 61; D3/201, 200, 203.1-203.8,
D3/206, 283

See application file for complete search history.

(56) **References Cited**

U.S. PATENT DOCUMENTS

D343,340 S * 1/1994 Frye et al. D7/629
5,787,839 A * 8/1998 Magnant et al. 206/545
6,032,481 A * 3/2000 Mosby 62/457.2
D453,448 S * 2/2002 Segura D7/608
D471,321 S * 3/2003 Lai D28/82
D532,196 S * 11/2006 Sandy et al. D3/203.3

* cited by examiner

Primary Examiner—Terry A Wallace
(74) *Attorney, Agent, or Firm*—Dykema Gossett PLLC

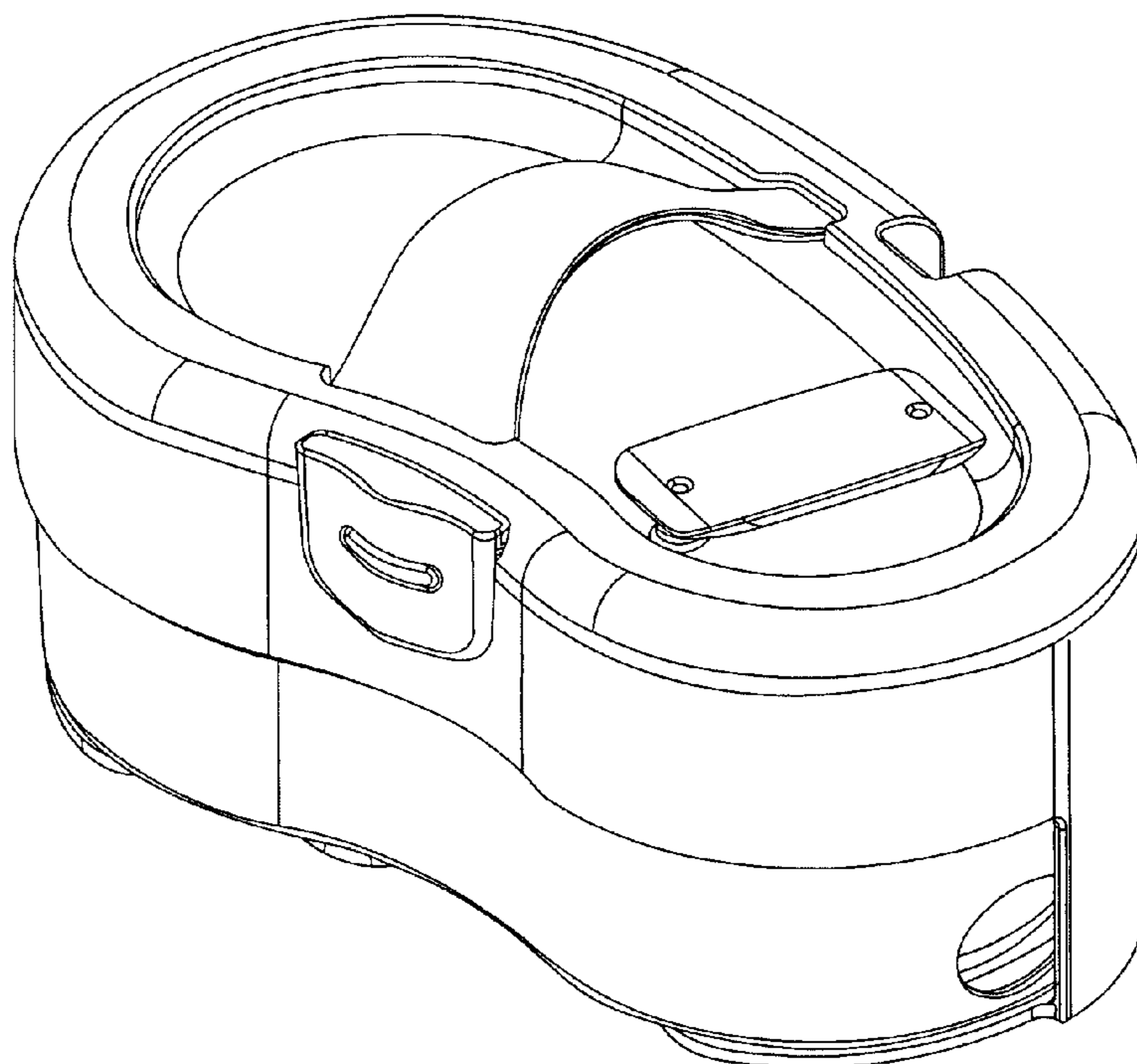
(57) **CLAIM**

The ornamental design for a container, as shown and described.

DESCRIPTION

FIG. 1 shows a perspective view of a container according to my new and ornamental design when closed,
FIG. 2 is a top plan view thereof,
FIG. 3 is a bottom plan view thereof,
FIG. 4 is a front elevational view thereof,
FIG. 5 is a rear elevational view thereof,
FIG. 6 is a left side elevational view thereof,
FIG. 7 is a right side elevational view thereof,
FIG. 8 is a perspective view thereof with the cover lifted and the bottom tray rotated for access to the larger compartment therein,
FIG. 9 is a top plan view of FIG. 8,
FIG. 10 is a left side elevational view of FIG. 8,
FIG. 11 is a right side elevational view of FIG. 8,
FIG. 12 is a bottom plan view of FIG. 8,
FIG. 13 is a rear elevational view of FIG. 8,
FIG. 14 is a front elevational view of FIG. 8,
FIG. 15 is a top plan view thereof with the cover lifted and the bottom tray rotated for access to the smaller compartment therein; and,
FIG. 16 is an exploded view thereof.

1 Claim, 16 Drawing Sheets



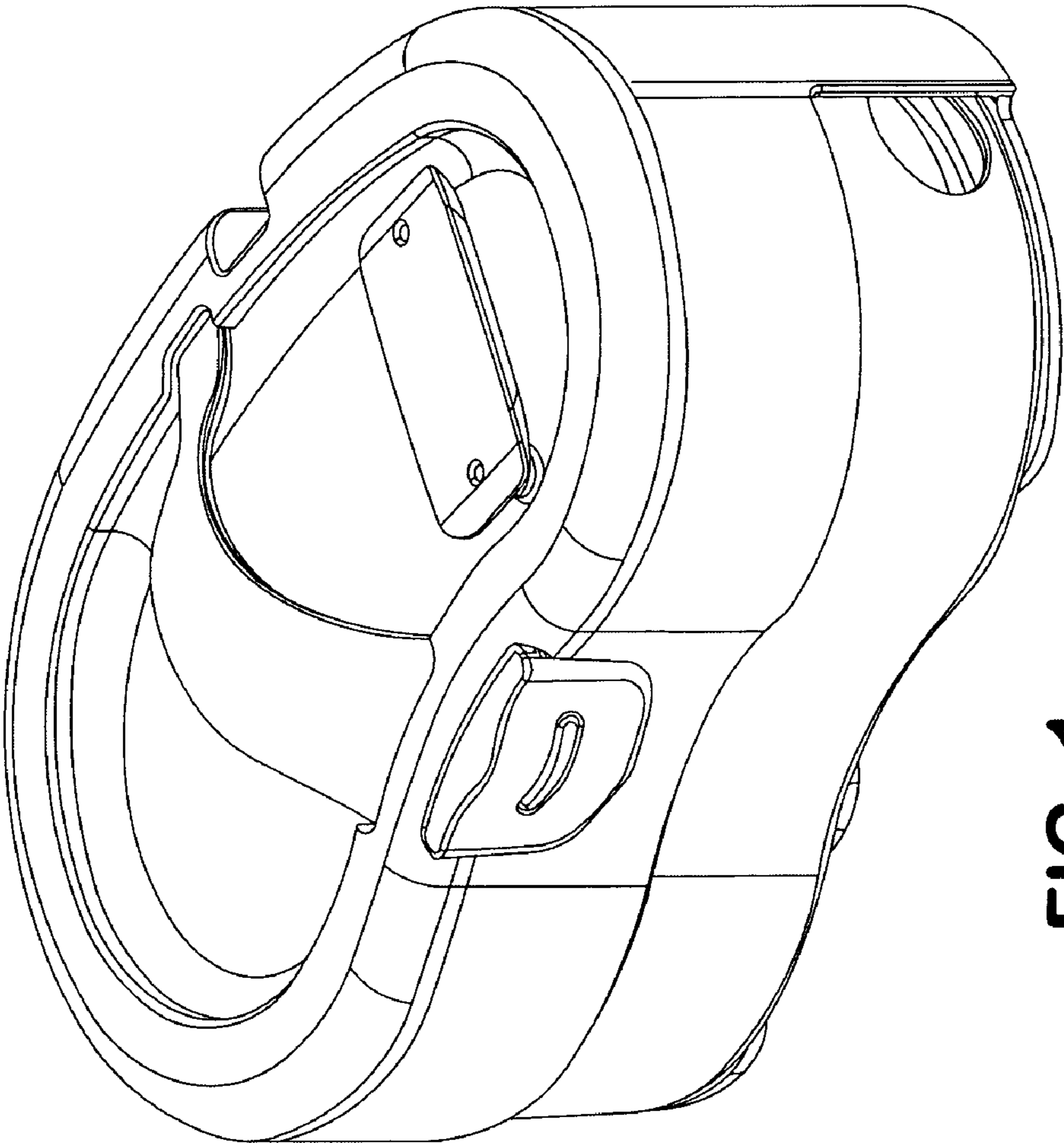


FIG. 1

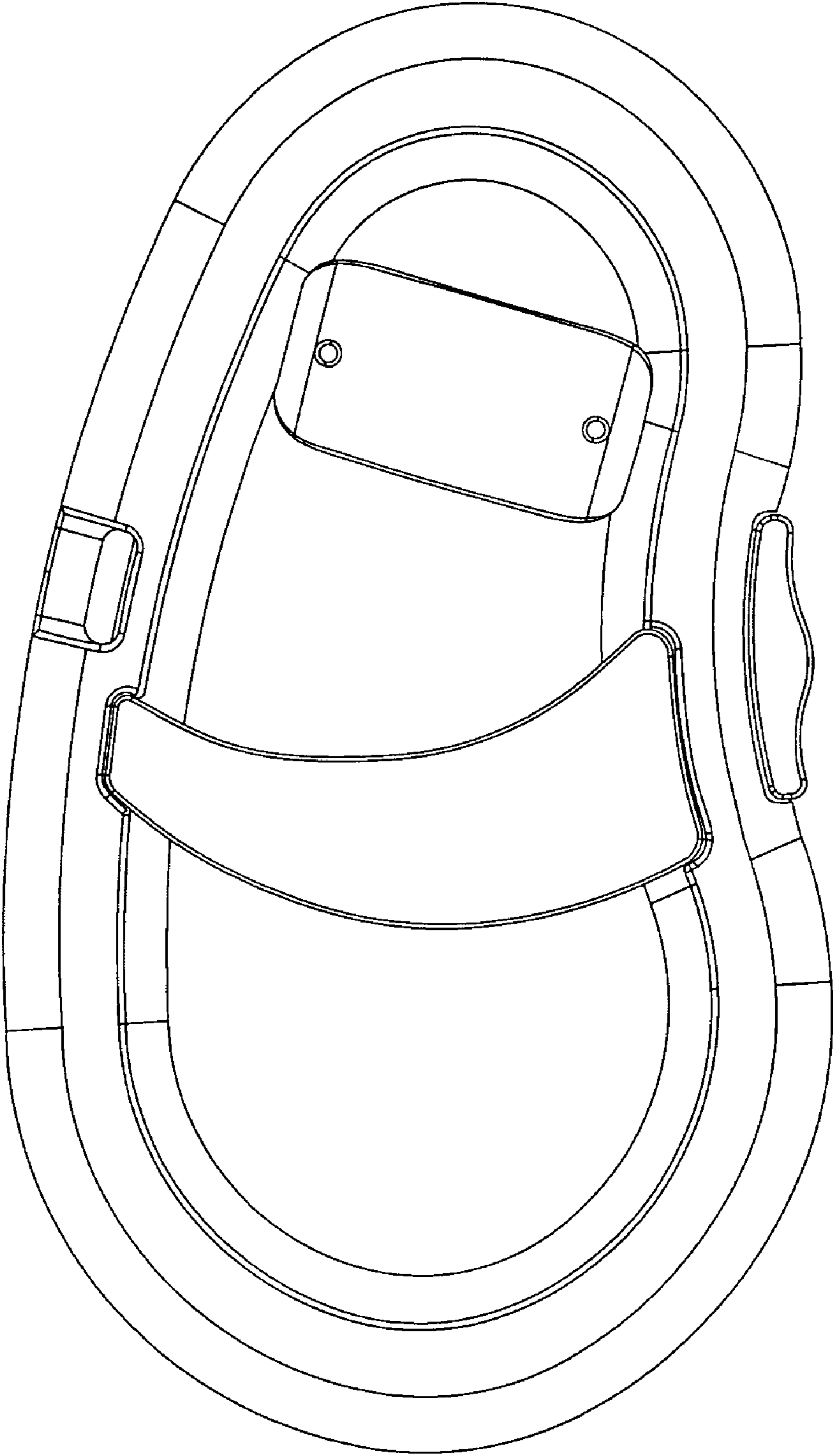


FIG. 2

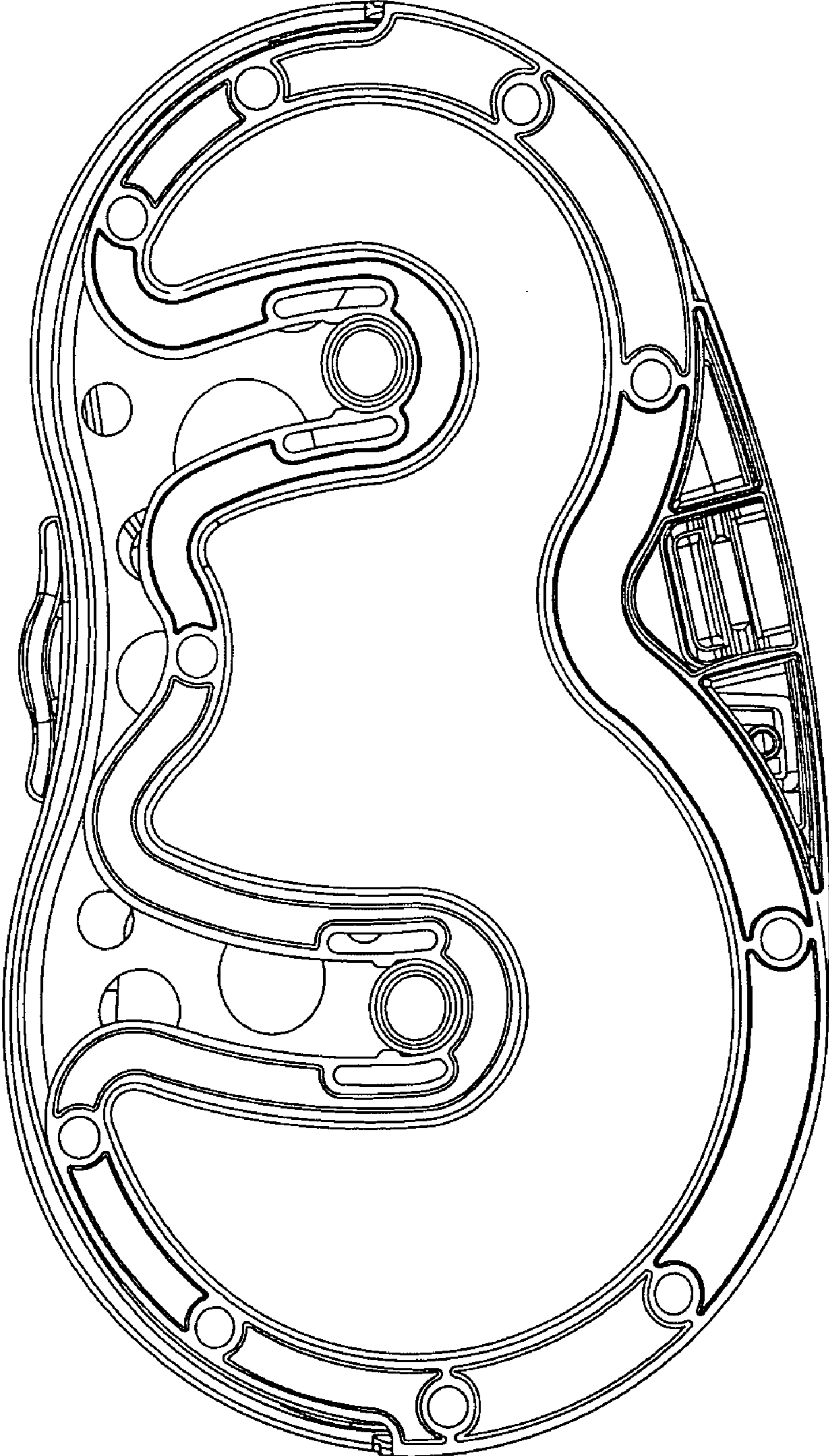


FIG. 3

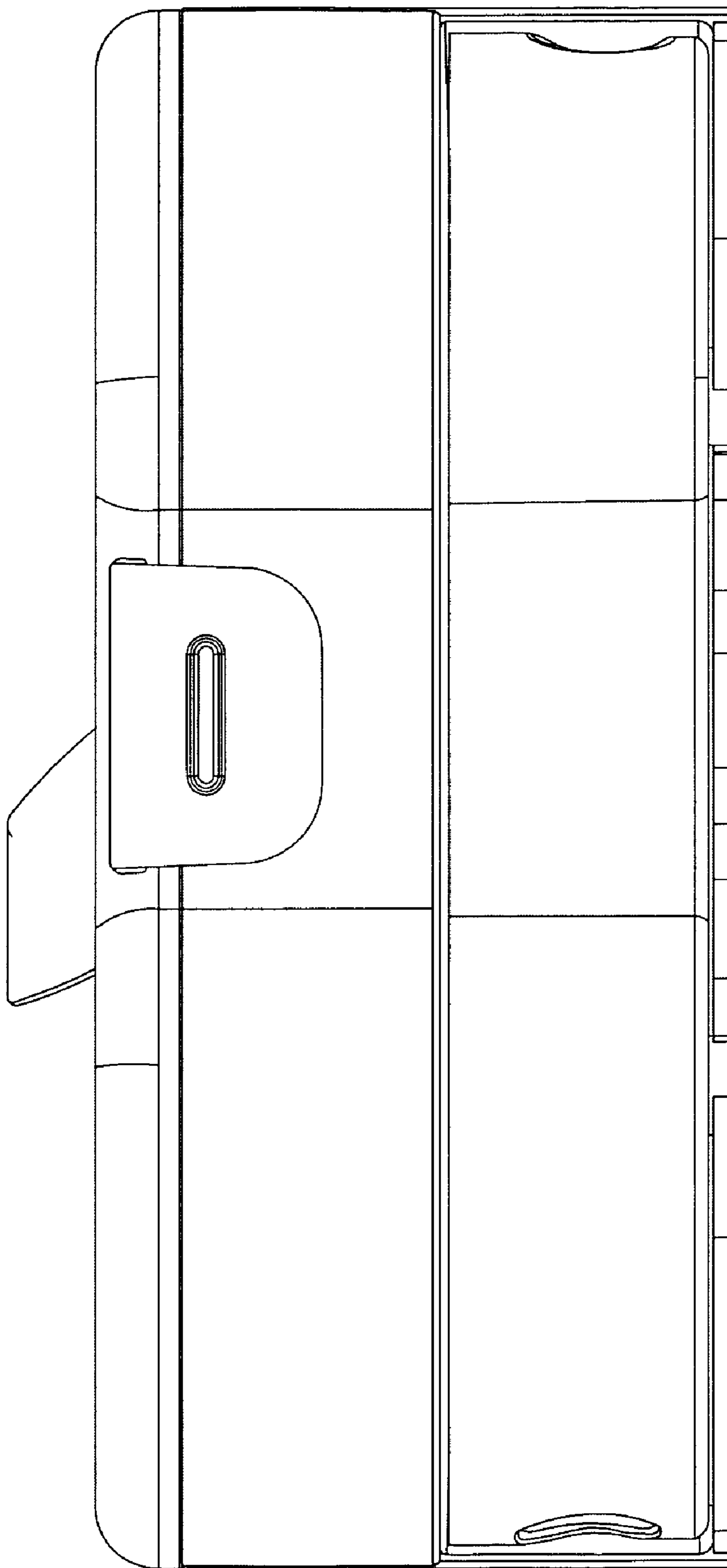


FIG. 4

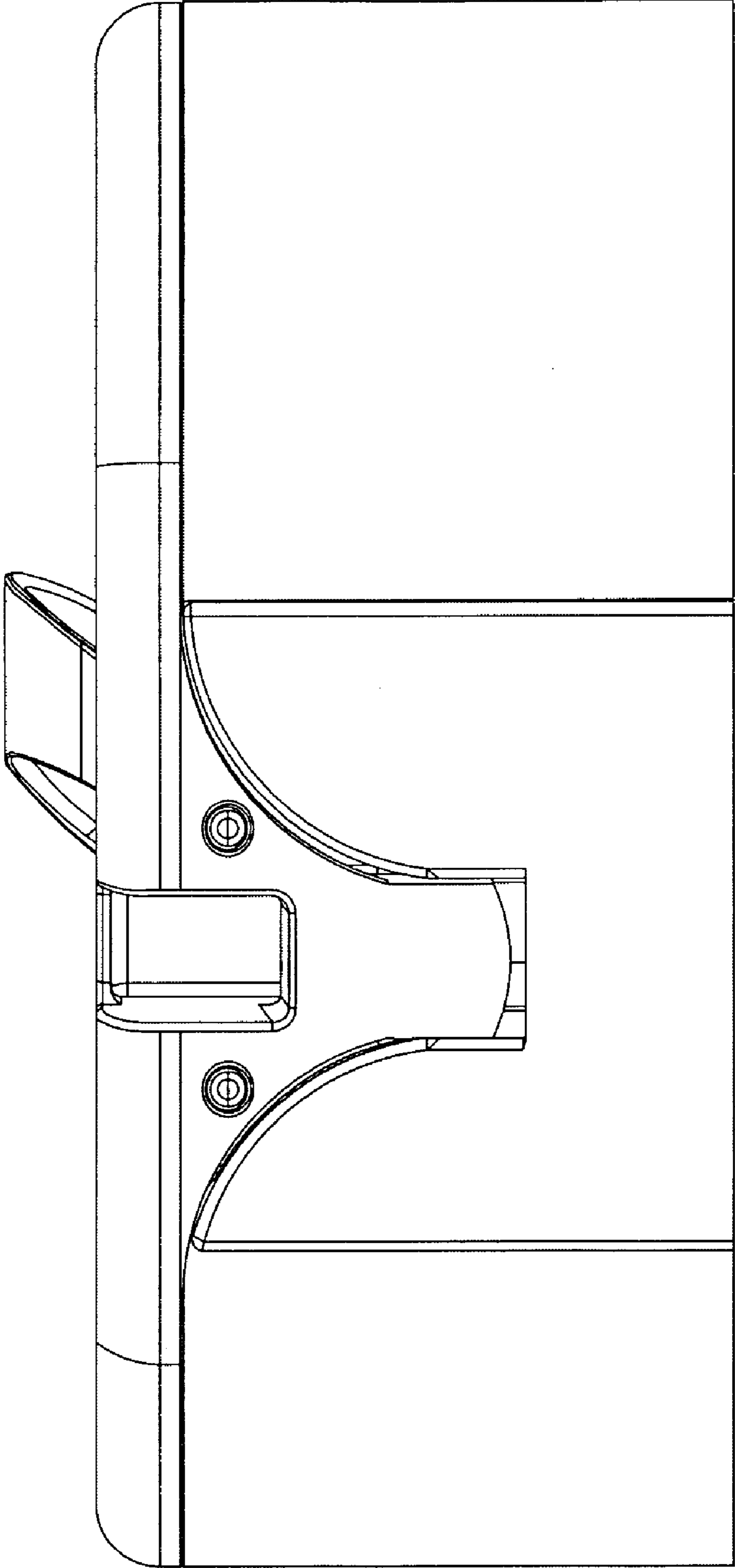


FIG. 5

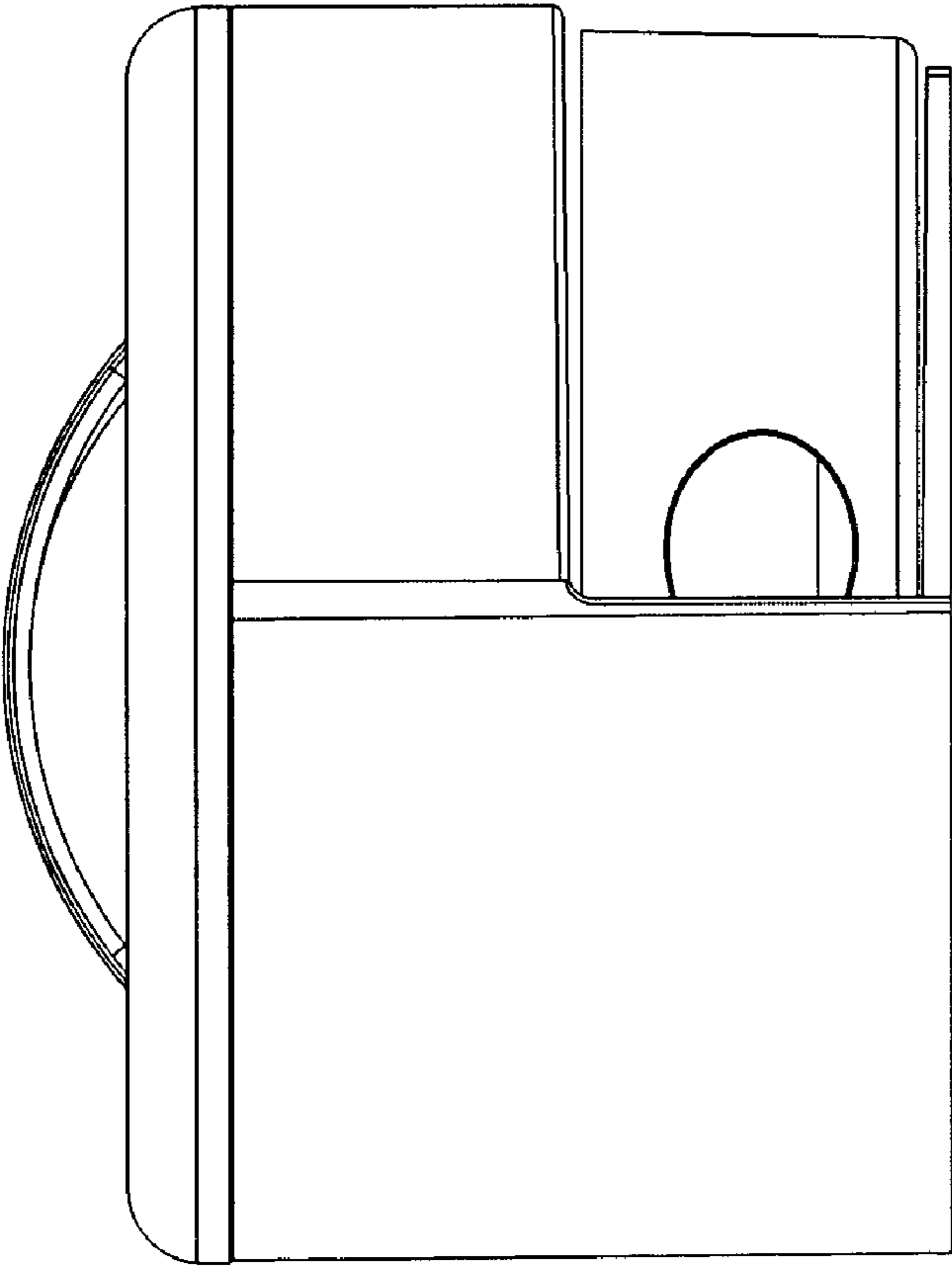


FIG. 6

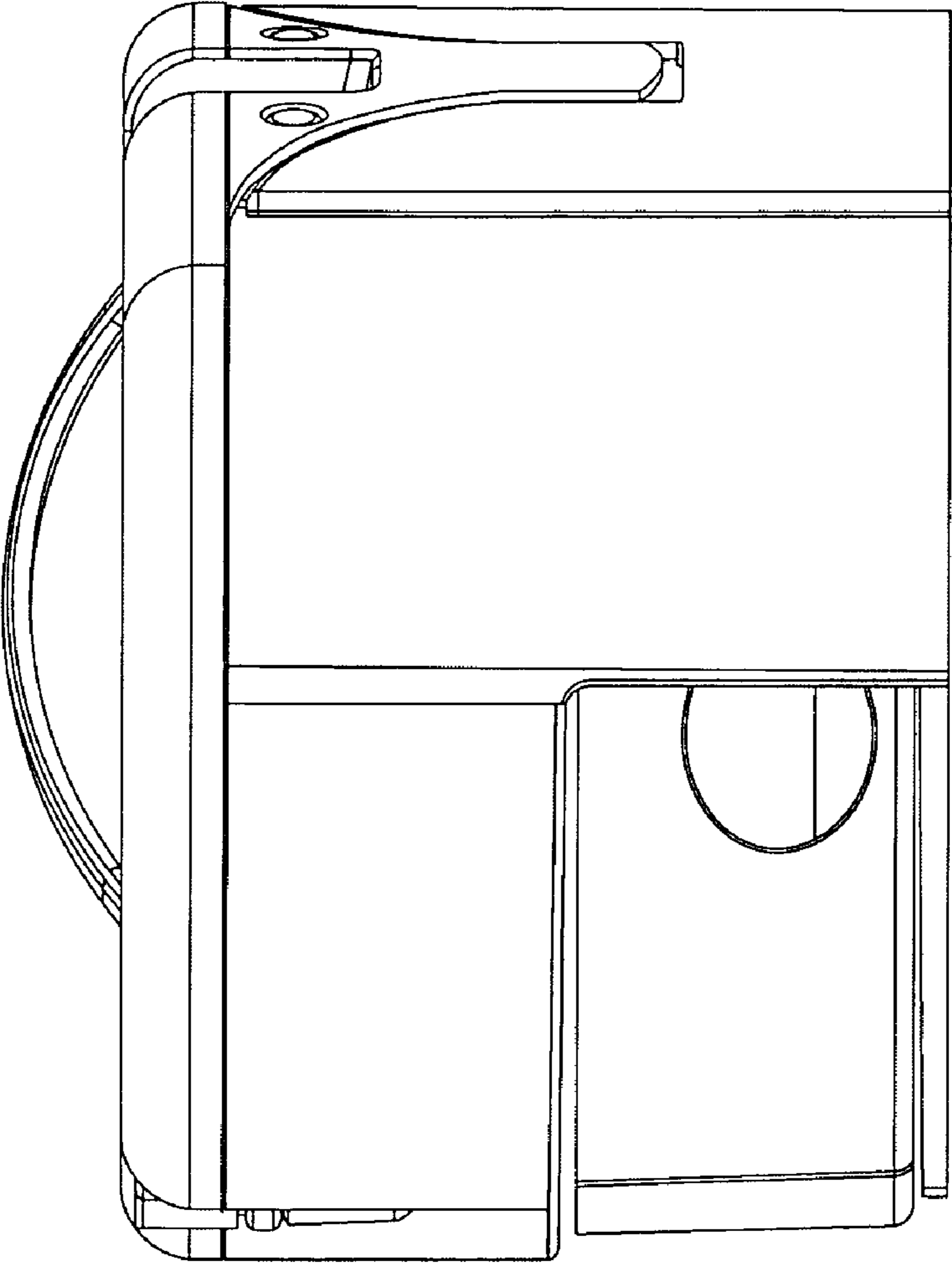


FIG. 7

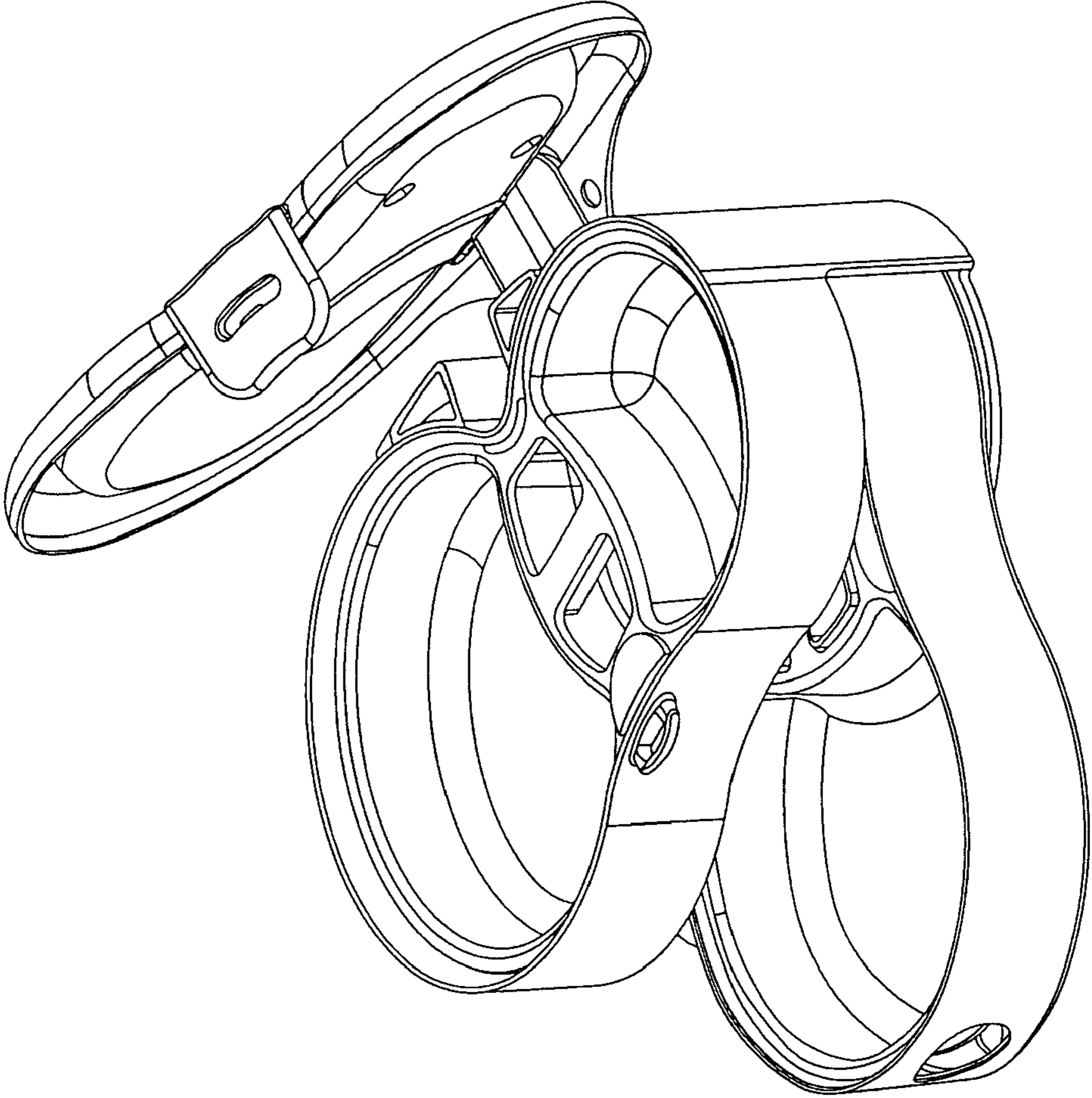


FIG. 8

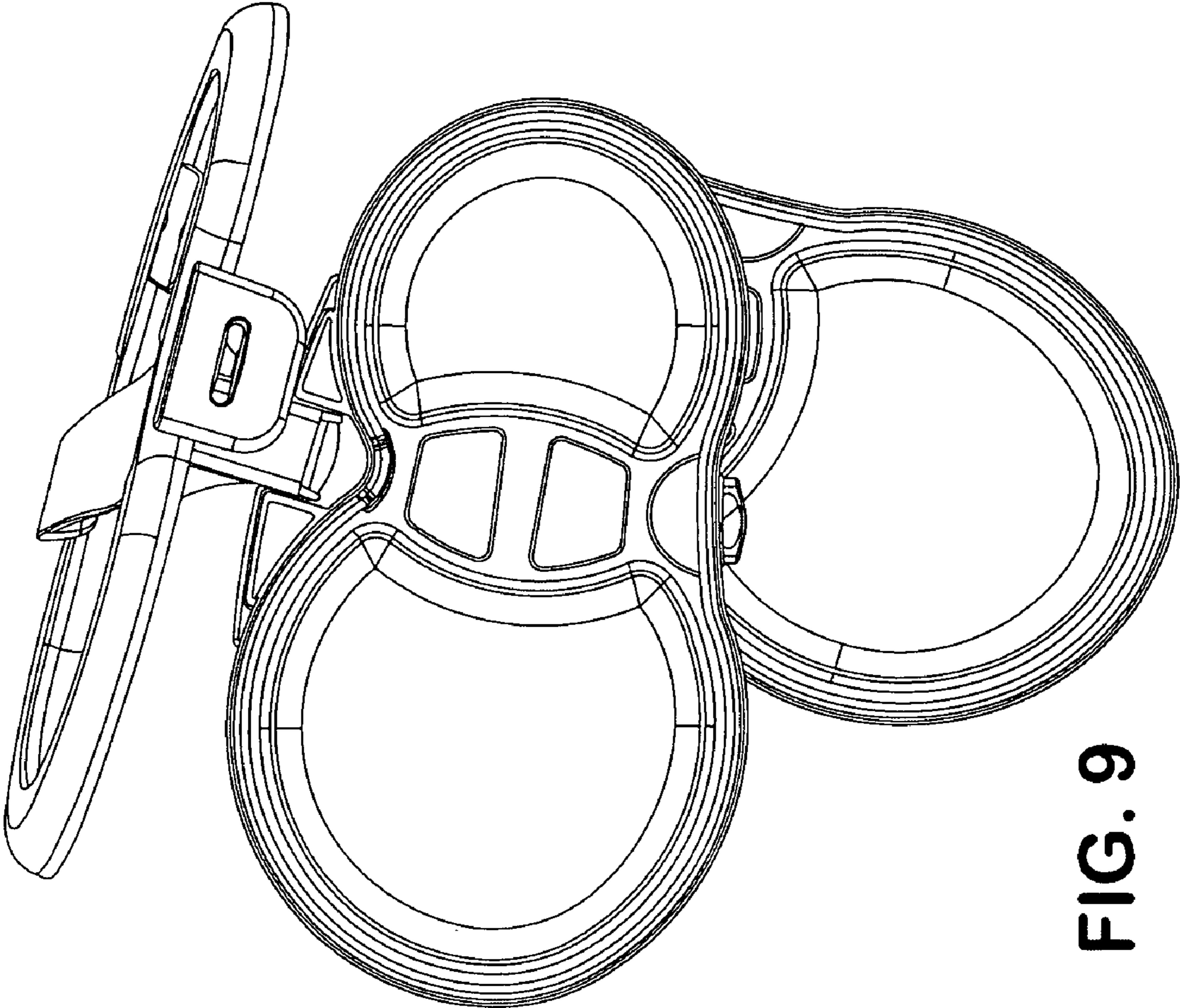


FIG. 9

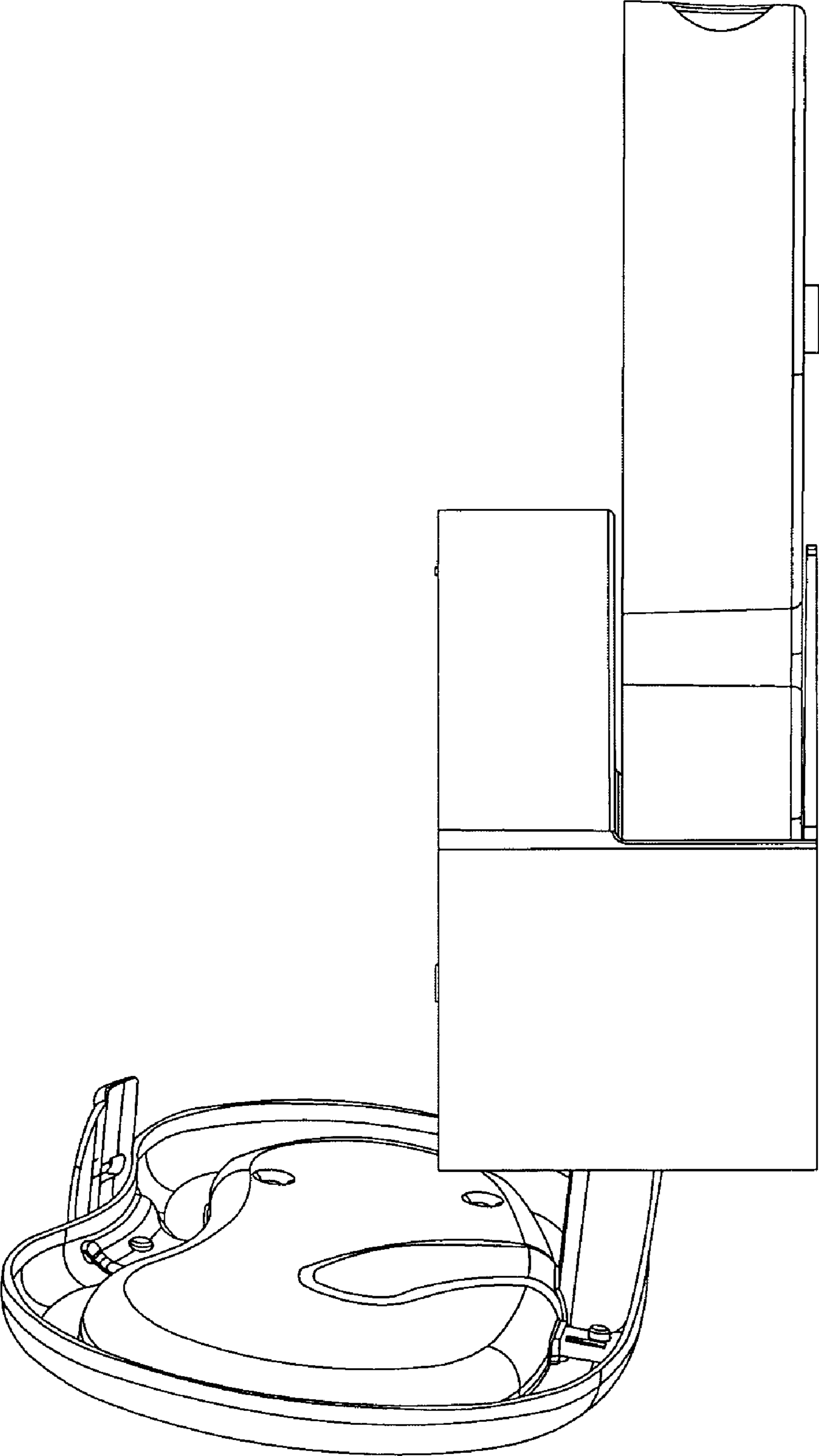


FIG. 10

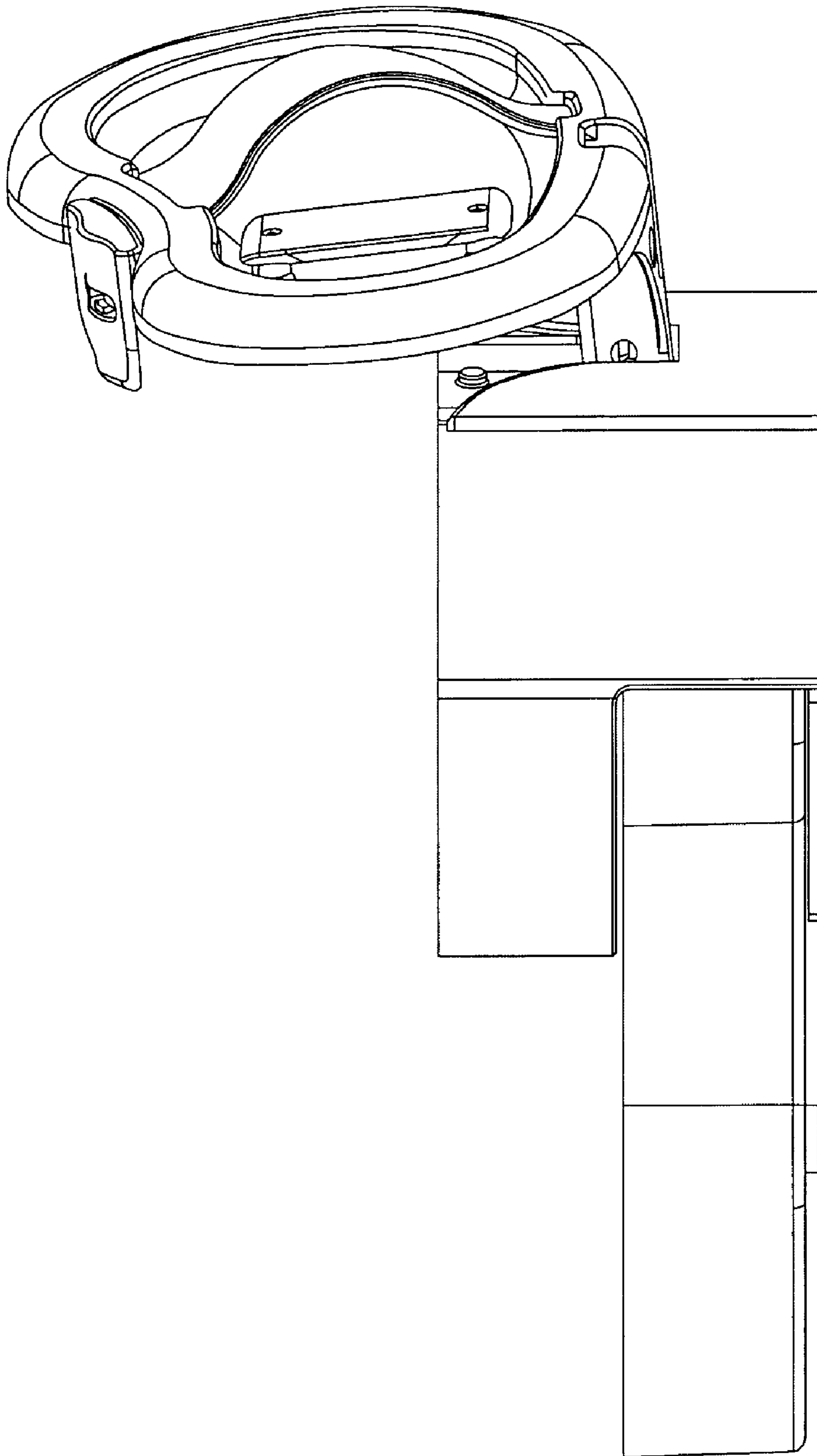


FIG. 11

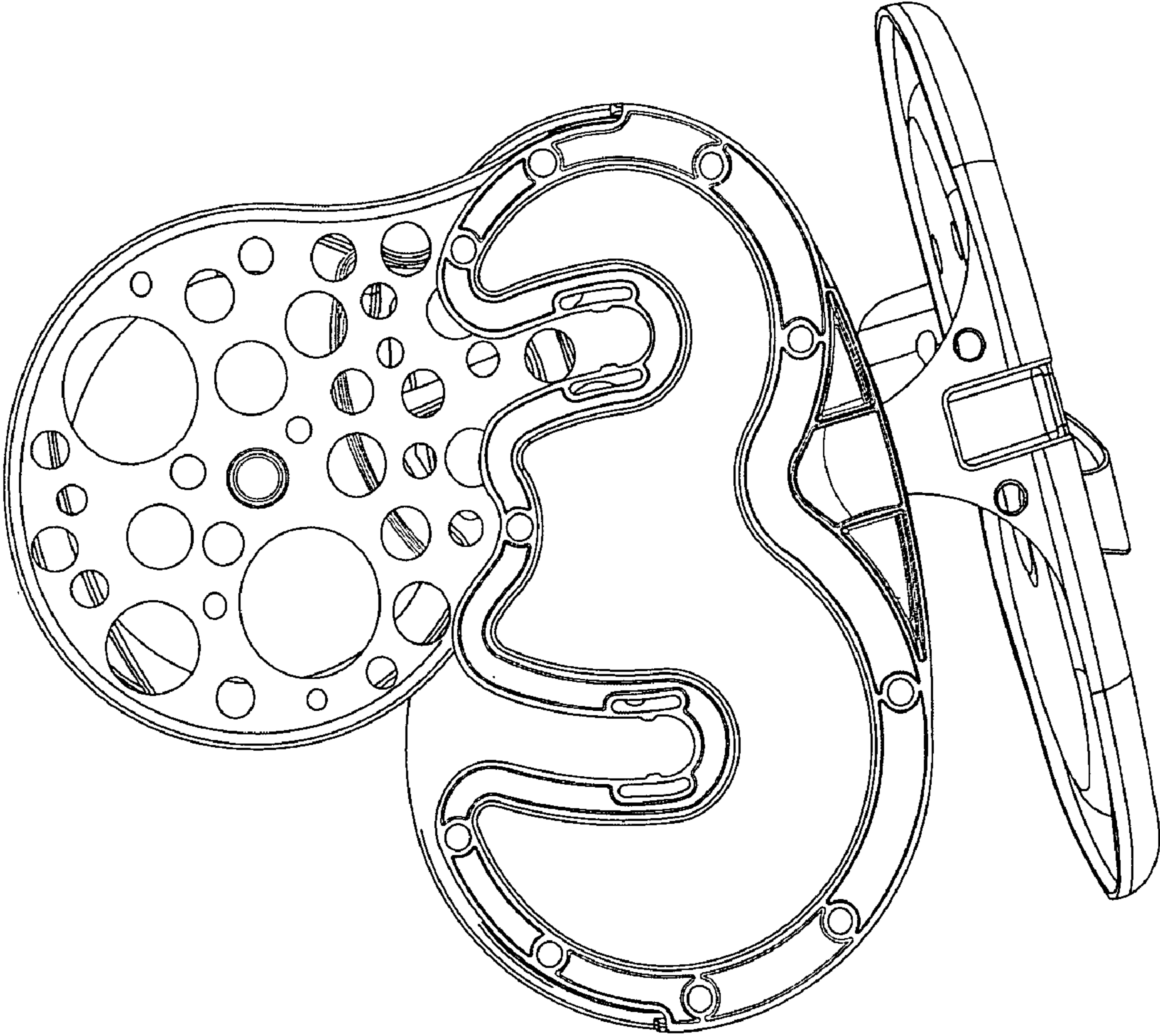


FIG. 12

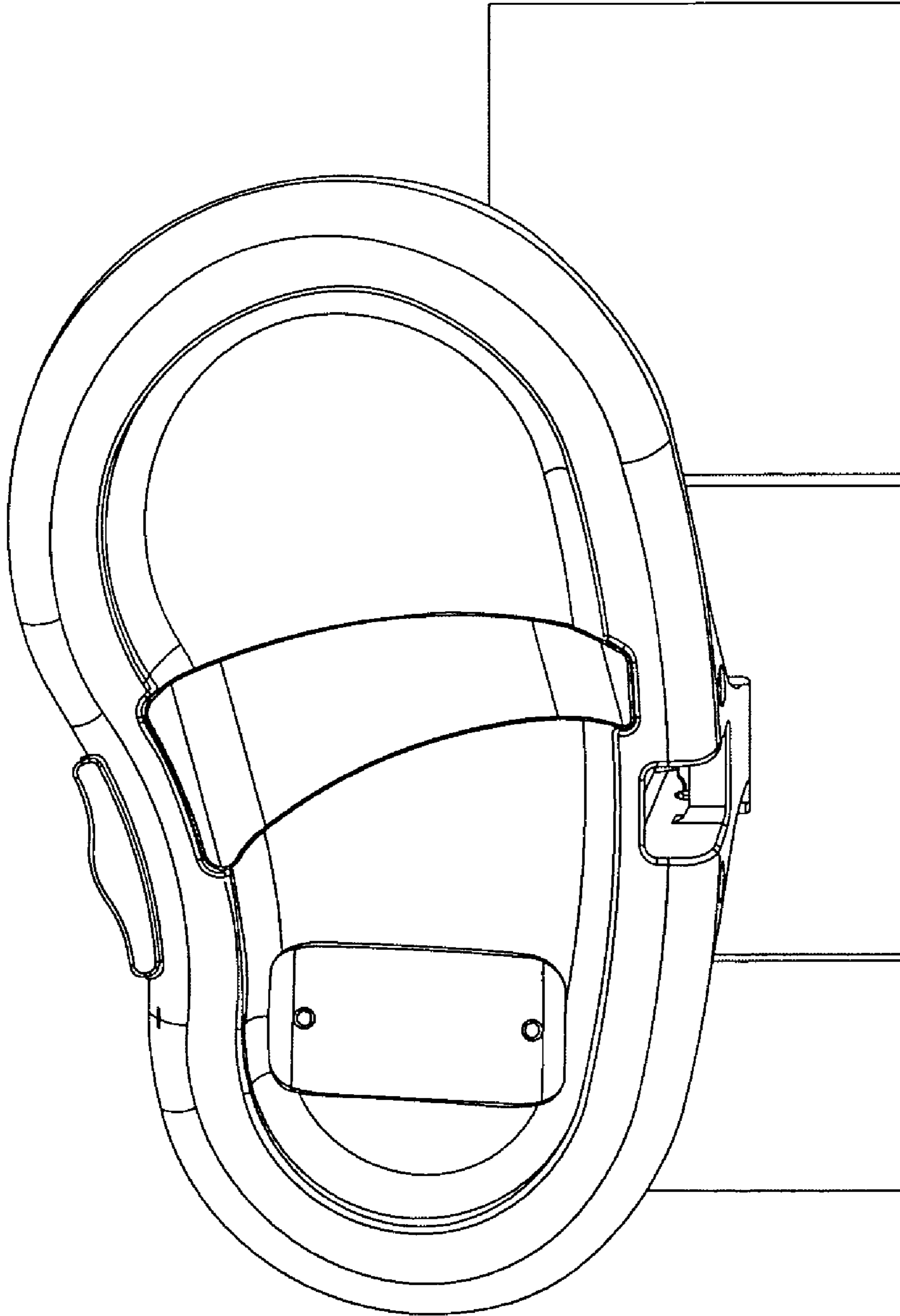


FIG. 13

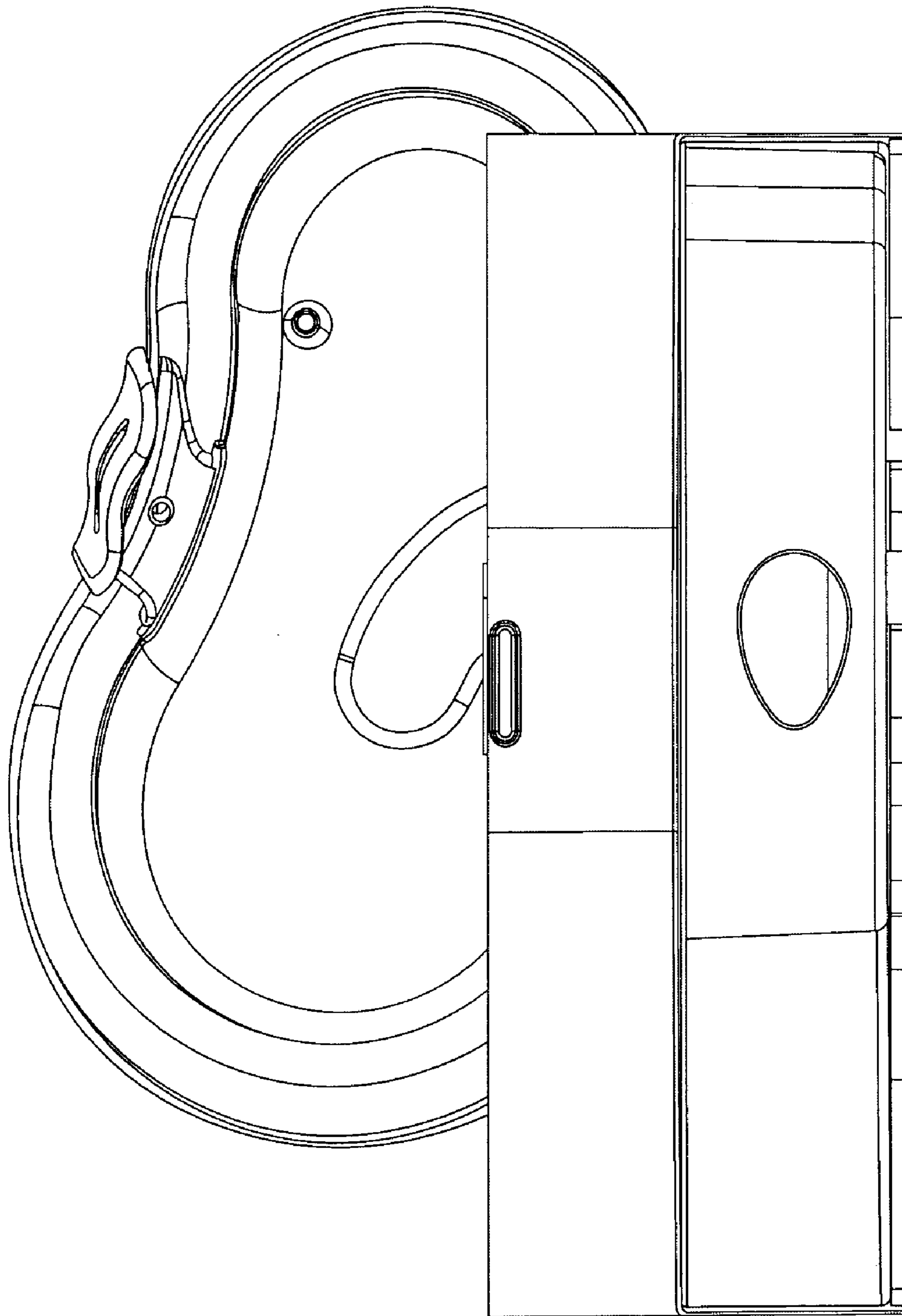


FIG. 14

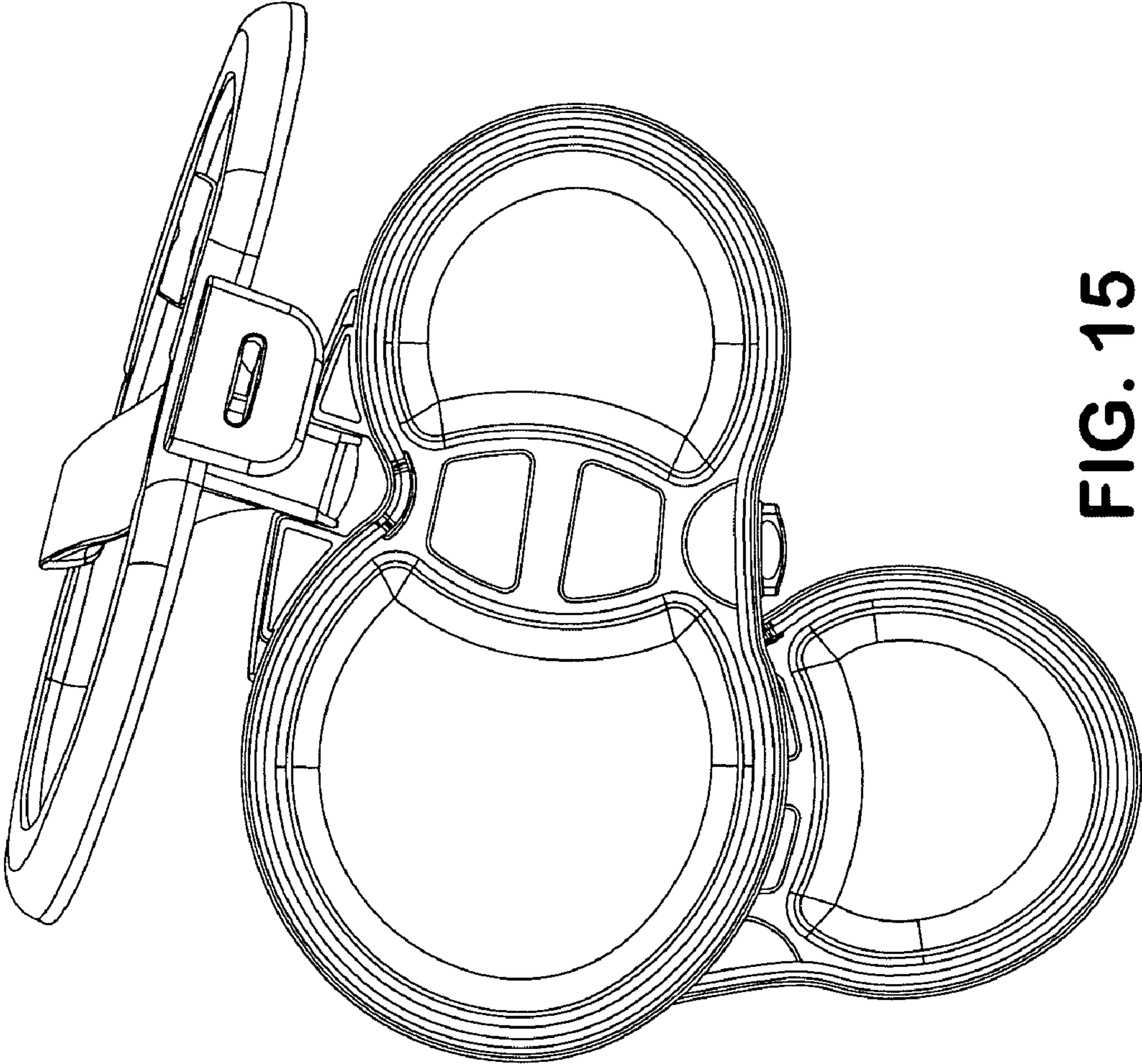


FIG. 15

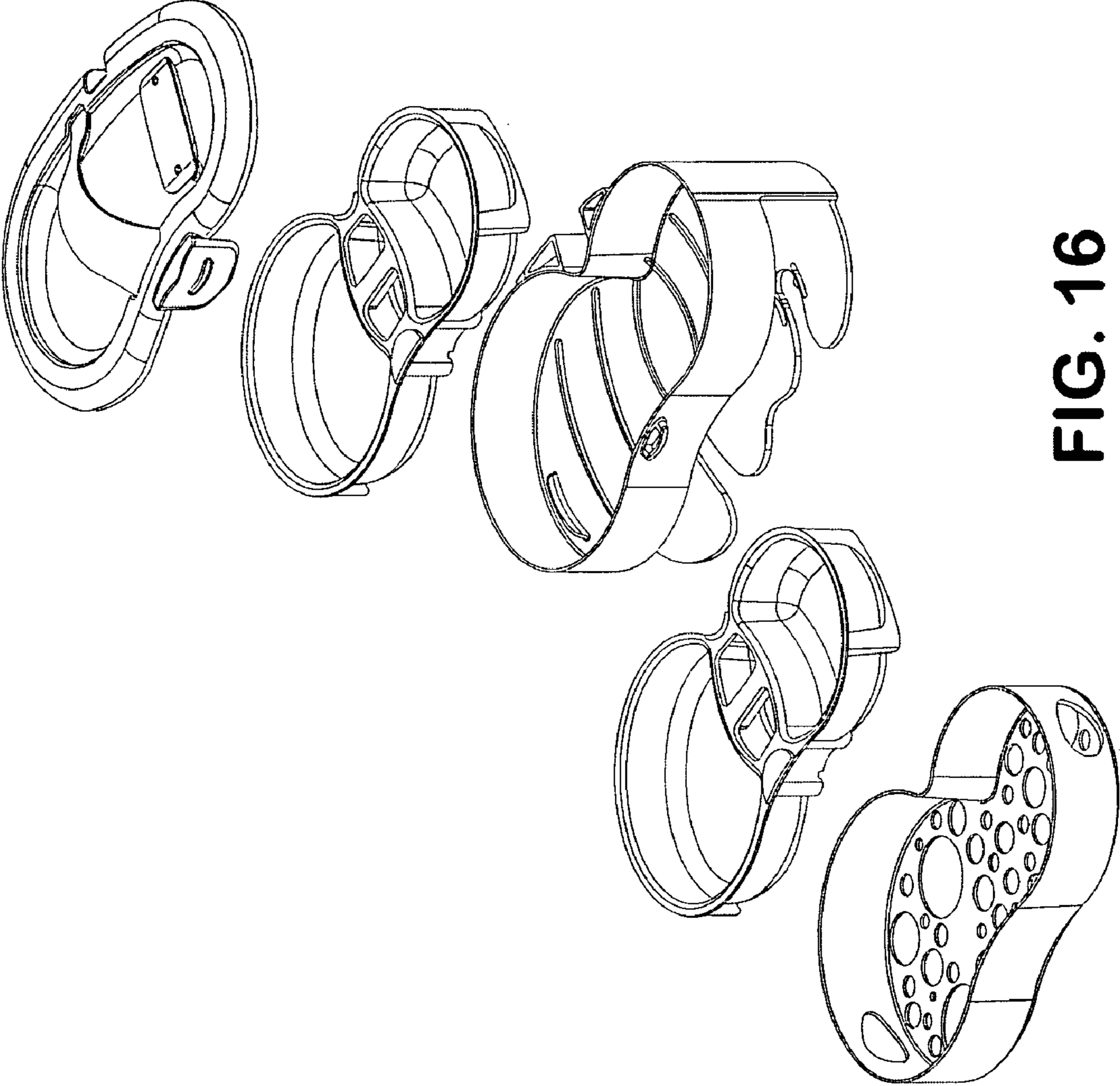


FIG. 16