



US00D609977S

(12) **United States Design Patent**
Gjonaj

(10) **Patent No.:** **US D609,977 S**

(45) **Date of Patent:** **** Feb. 16, 2010**

(54) **COASTER**

(76) Inventor: **Nikola L. Gjonaj**, 49825 S. Delaure Dr.,
Shelby Township, MI (US) 48317

(**) Term: **14 Years**

(21) Appl. No.: **29/331,279**

(22) Filed: **Jan. 22, 2009**

(51) **LOC (9) Cl.** **07-06**

(52) **U.S. Cl.** **D7/624.1**

(58) **Field of Classification Search** D7/619.1-625,
D7/387-389; 211/71.01, 74; 215/392-396;
220/737; 248/311.2, 346.01, 346.11

See application file for complete search history.

(56) **References Cited**

U.S. PATENT DOCUMENTS

2,660,040	A	11/1953	Babski	
2,989,205	A	1/1961	Yaws	
3,363,869	A *	1/1968	Blundell 248/346.11
3,797,796	A	3/1974	Lansdowne	

D245,662	S	9/1977	Hall	
4,089,498	A	5/1978	Woodruff	
4,858,873	A	8/1989	Wilmoth et al.	
4,953,823	A	9/1990	Sheaffer et al.	
D373,709	S *	9/1996	Leu D7/567
D408,227	S	4/1999	Swann, Jr.	
6,102,352	A *	8/2000	Kvalvog 248/346.11
D483,621	S *	12/2003	Snell D7/624.1
6,869,055	B2	3/2005	Casiello, Jr.	

* cited by examiner

Primary Examiner—Terry A Wallace

(57) **CLAIM**

The ornamental design for a coaster, as shown.

DESCRIPTION

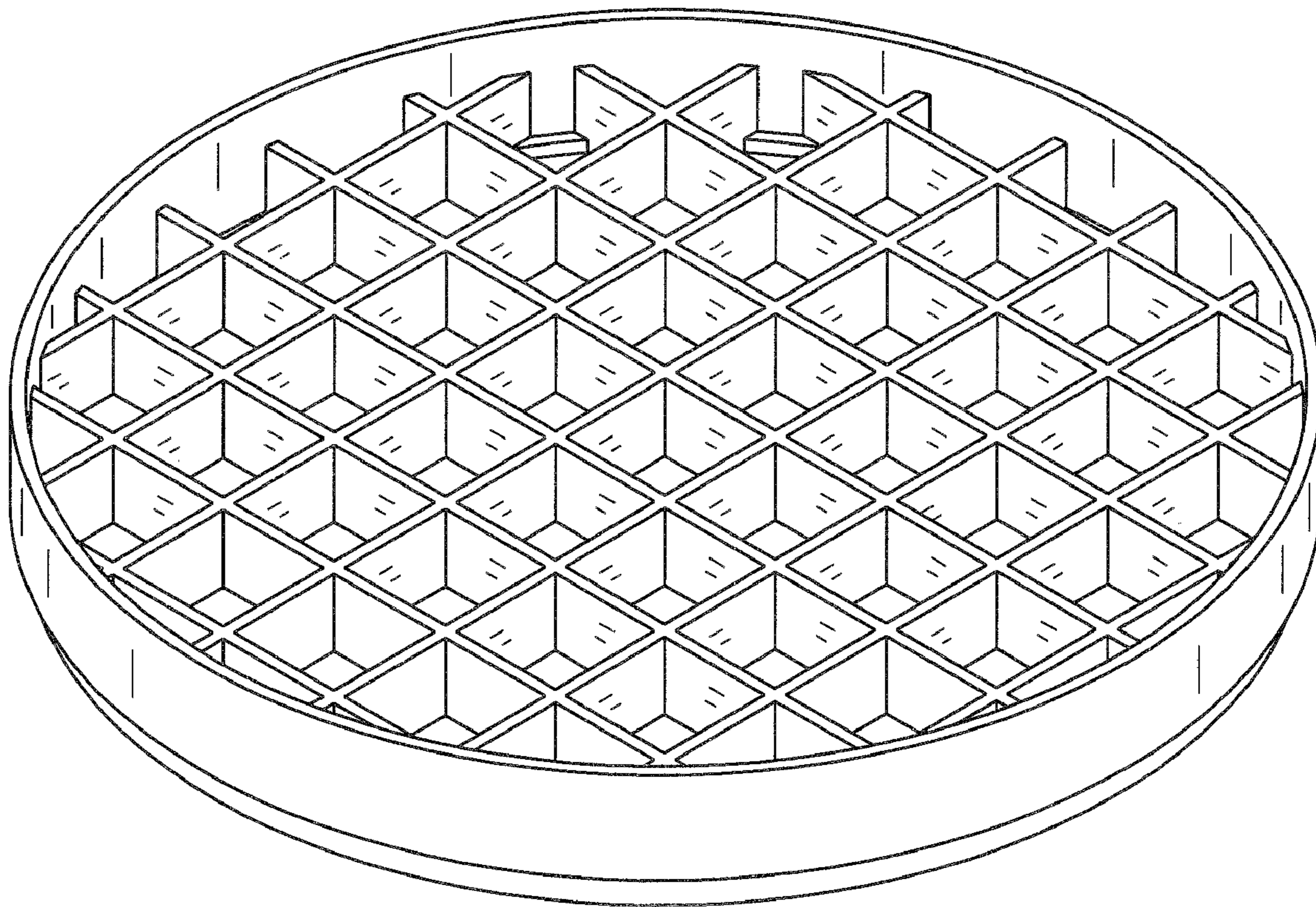
FIG. 1 is a perspective view of a coaster;

FIG. 2 is a side view thereof;

FIG. 3 is a top view thereof; and,

FIG. 4 is a bottom view thereof.

1 Claim, 4 Drawing Sheets



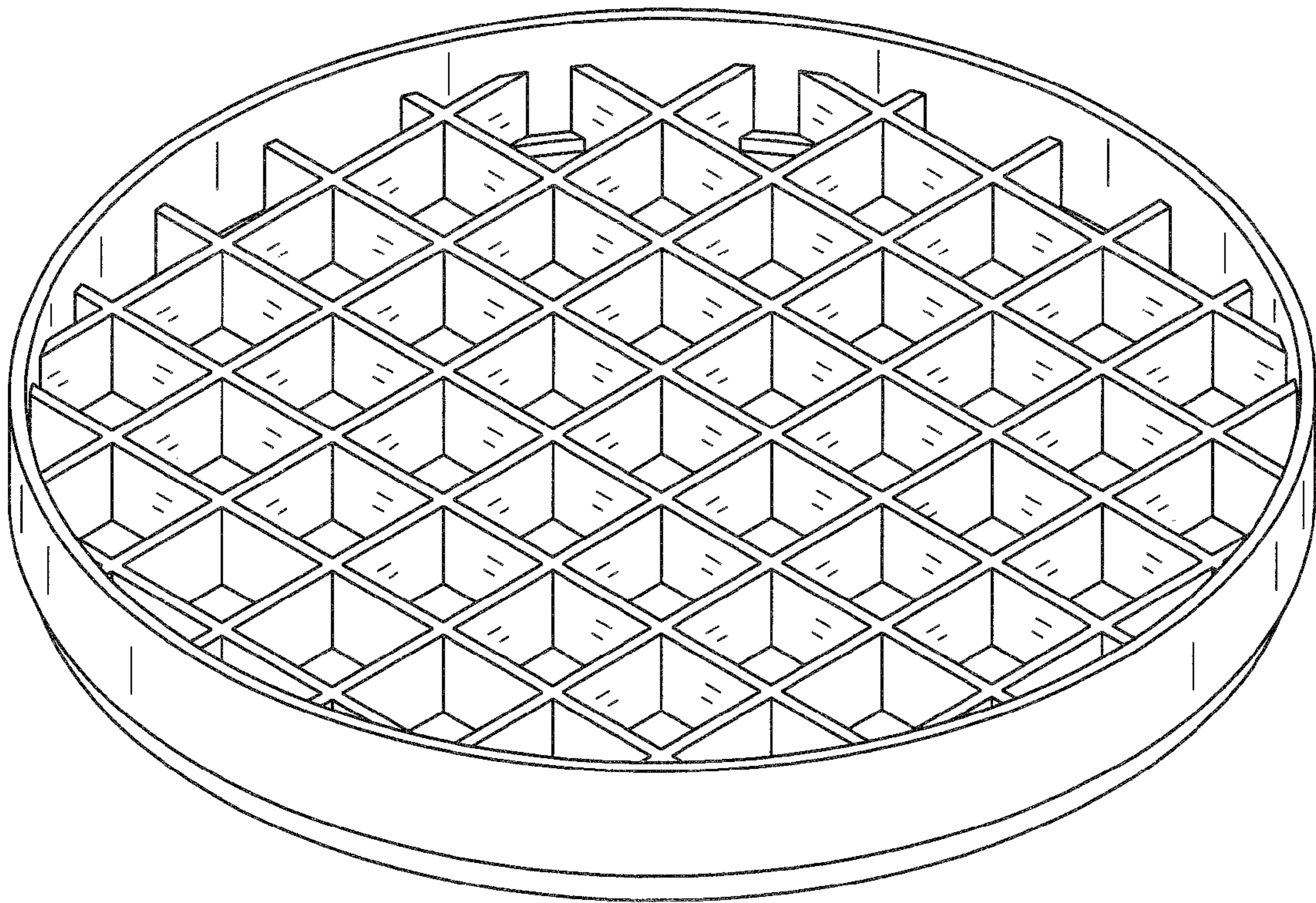


FIG. 1



FIG. 2

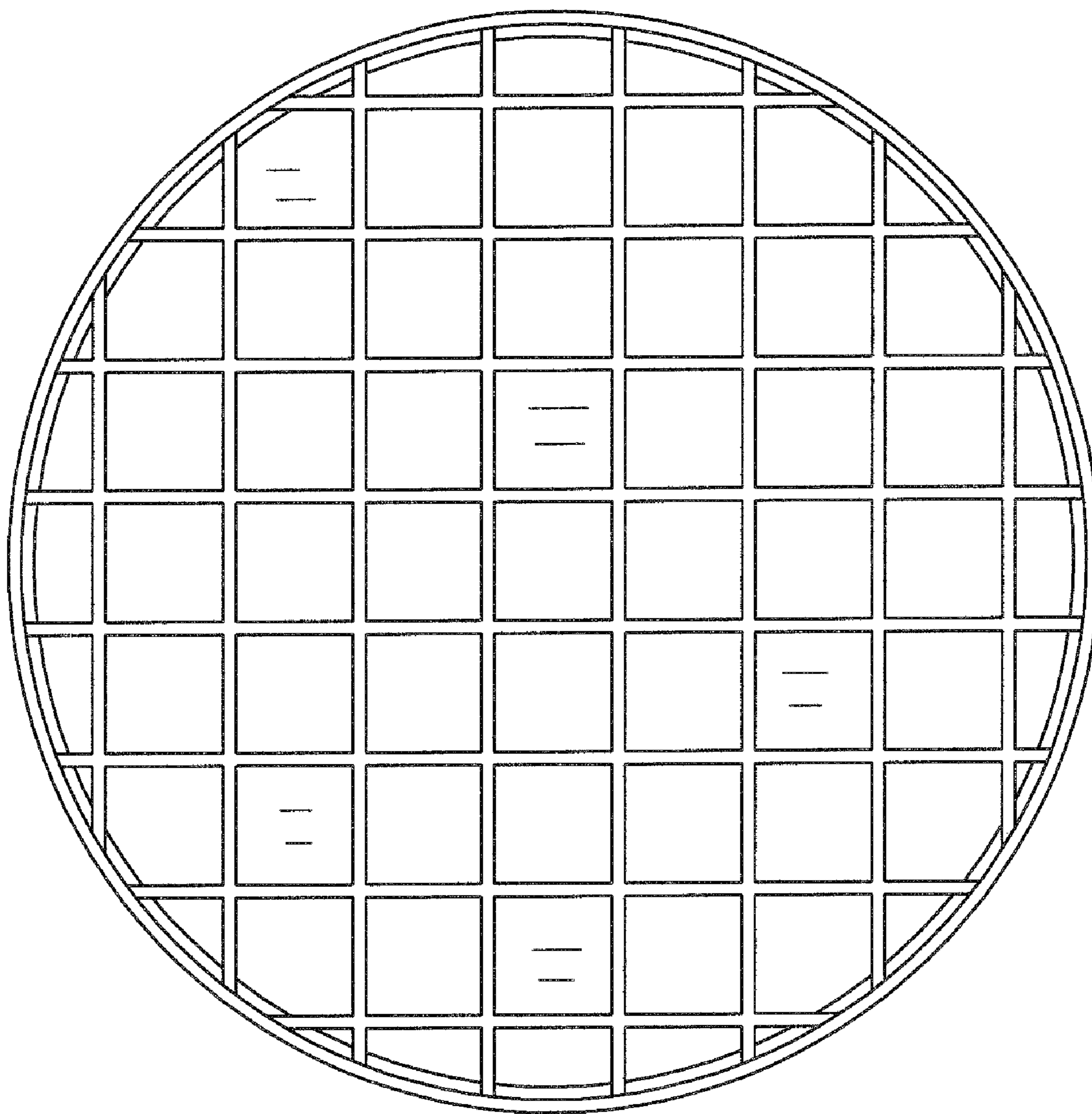


FIG. 3

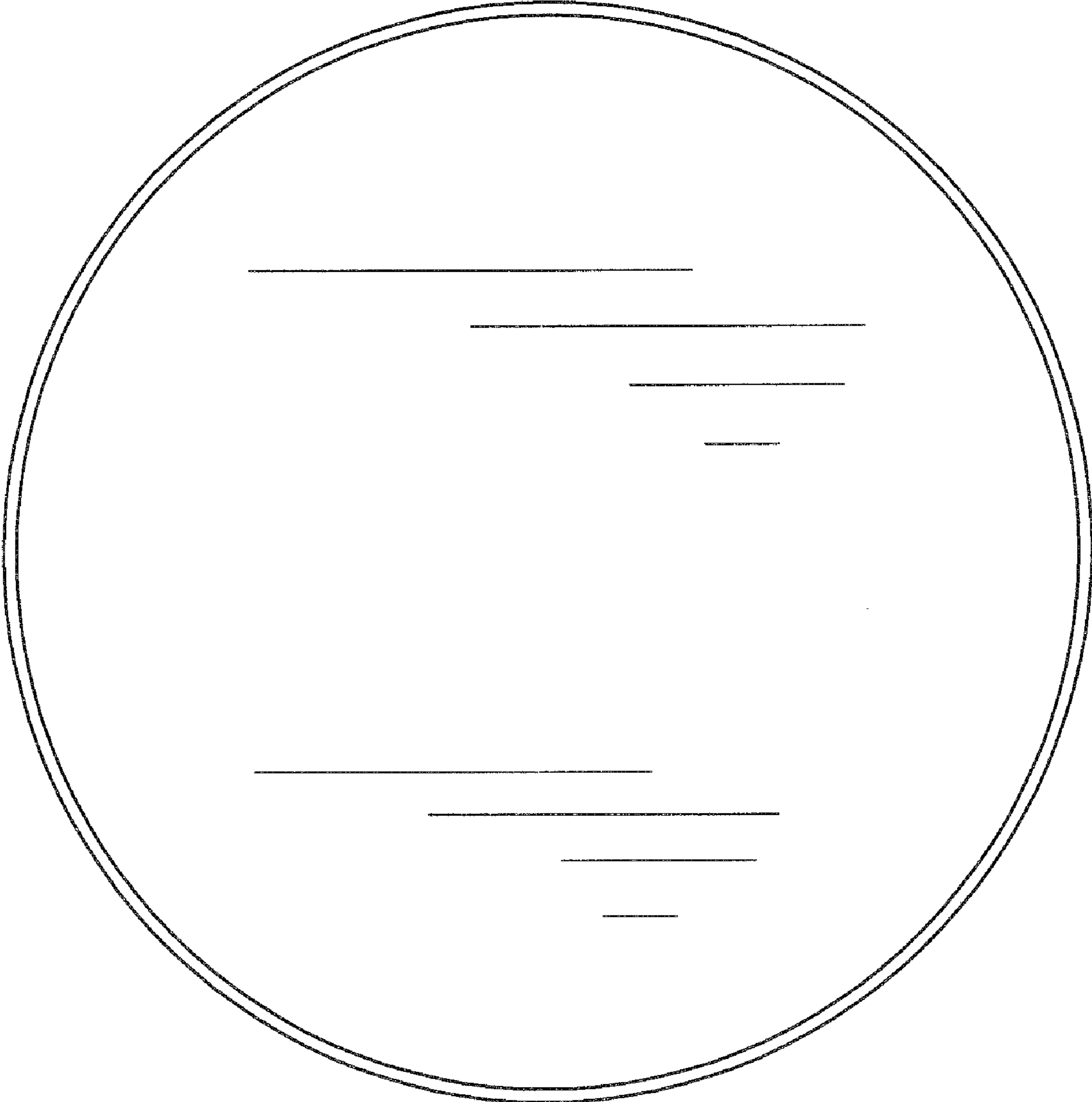


FIG. 4