



US00D609973S

(12) **United States Design Patent**  
**Shew et al.**

(10) **Patent No.:** **US D609,973 S**  
(45) **Date of Patent:** **\*\* Feb. 16, 2010**

(54) **FOOD CONTAINER ASSEMBLY**

(75) Inventors: **Jerry Shew**, Charlotte, NC (US); **Ian D. Kovacevich**, Charlotte, NC (US)

(73) Assignee: **Edison Nation, LLC**, Charlotte, NC (US)

(\*\*) Term: **14 Years**

(21) Appl. No.: **29/302,606**

(22) Filed: **Jan. 20, 2008**

D206,762 S 1/1967 Kirwan  
3,305,126 A \* 2/1967 Cease ..... 220/23.83  
D209,769 S \* 1/1968 Bateman et al. .... D7/541  
3,532,247 A \* 10/1970 Bridges ..... D7/553.5  
D221,883 S 9/1971 Cash  
D230,001 S 1/1974 Wright  
3,811,594 A 5/1974 Paulucci  
D232,294 S 8/1974 Christian et al.  
D250,315 S \* 11/1978 Otto ..... D7/541  
4,351,164 A 9/1982 Christiani

**Related U.S. Application Data**

(63) Continuation of application No. 29/295,757, filed on Oct. 5, 2007, now Pat. No. Des. 572,540.

(51) **LOC (9) Cl.** ..... **07-01**

(52) **U.S. Cl.** ..... **D7/540; D9/761**

(58) **Field of Classification Search** ..... D7/500,  
D7/505, 540, 555, 560, 554.2, 566, 584, 585,  
D7/587, 570, 567, 543, 553.2, 553.4, 769,  
D7/541, 553.8, 552.2, 629, 586; 229/401,  
229/406; 220/574, 575, 561, 574.1; D9/671  
See application file for complete search history.

(56) **References Cited**

**U.S. PATENT DOCUMENTS**

948,434 A 2/1910 Scoot  
D67,011 S 4/1925 Clarke  
1,595,356 A 8/1926 Moseman  
1,858,728 A 5/1932 Creighton  
2,322,665 A 6/1943 Ryan  
D154,224 S 6/1949 Tweet  
D160,688 S 10/1950 Brock  
D179,780 S \* 2/1957 Randall ..... D7/546  
2,781,651 A 2/1957 Cutler  
D185,911 S 8/1959 Chadbourne et al.  
2,897,974 A 8/1959 Cook  
2,951,610 A 9/1960 Smalley  
D198,804 S \* 8/1964 Shepley ..... D7/552.2

(Continued)

**OTHER PUBLICATIONS**

Jerry Shew et al., U.S. Appl. No. 29/1295,757, filed Oct. 5, 2007.

(Continued)

*Primary Examiner*—Charles A Rademaker  
(74) *Attorney, Agent, or Firm*—Tillman Wright, PLLC; Chad D. Tillman; James D. Wright

(57) **CLAIM**

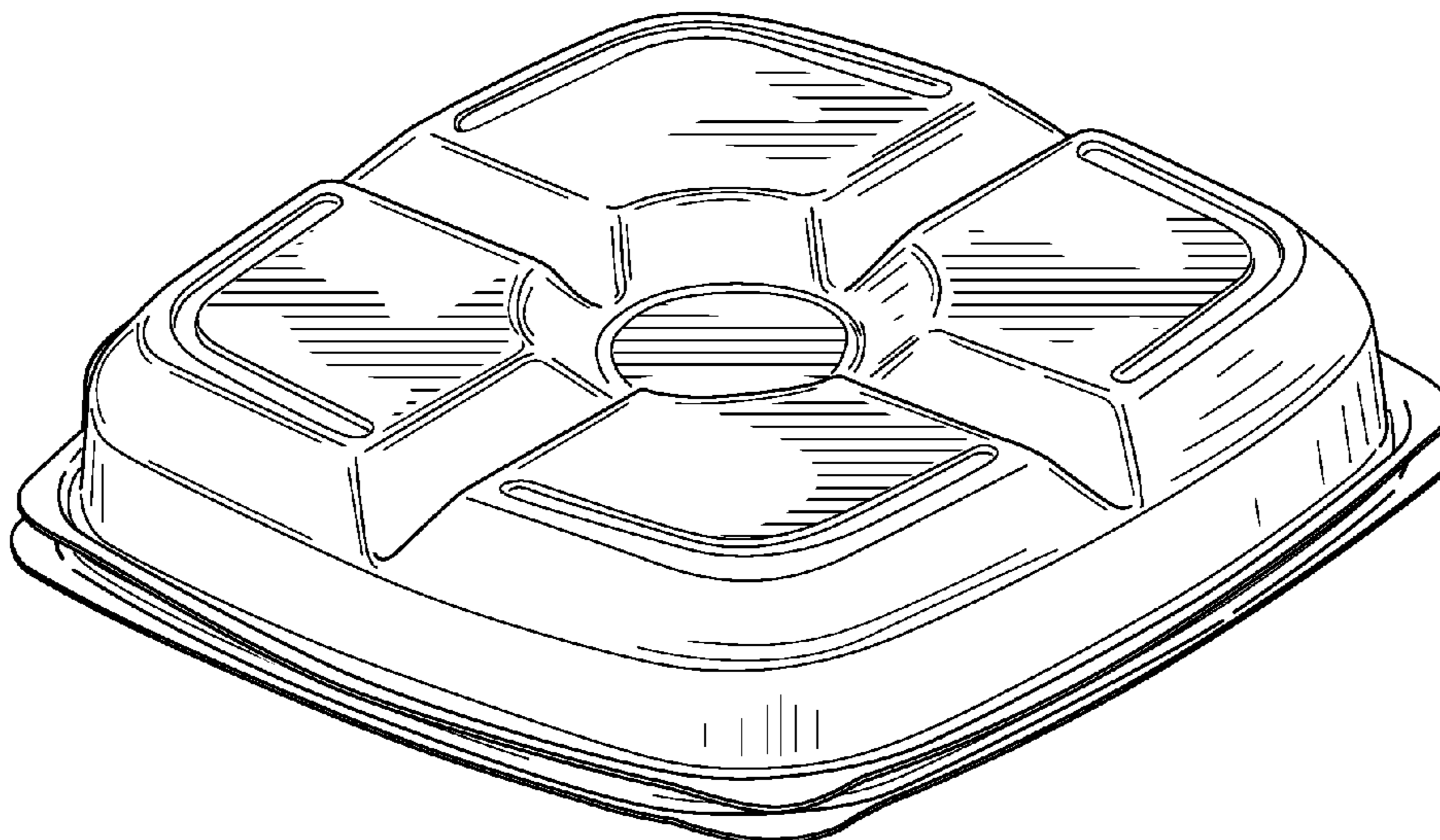
The ornamental design for a food container assembly, as shown and described.

**DESCRIPTION**

FIG. 1 is a perspective view of a food container assembly in accordance with an embodiment of the present invention; and,

FIG. 2 is a side elevational view of the food container assembly of FIG. 1, which view is identical from each of the four sides of the food container assembly.

**1 Claim, 2 Drawing Sheets**



# US D609,973 S

Page 2

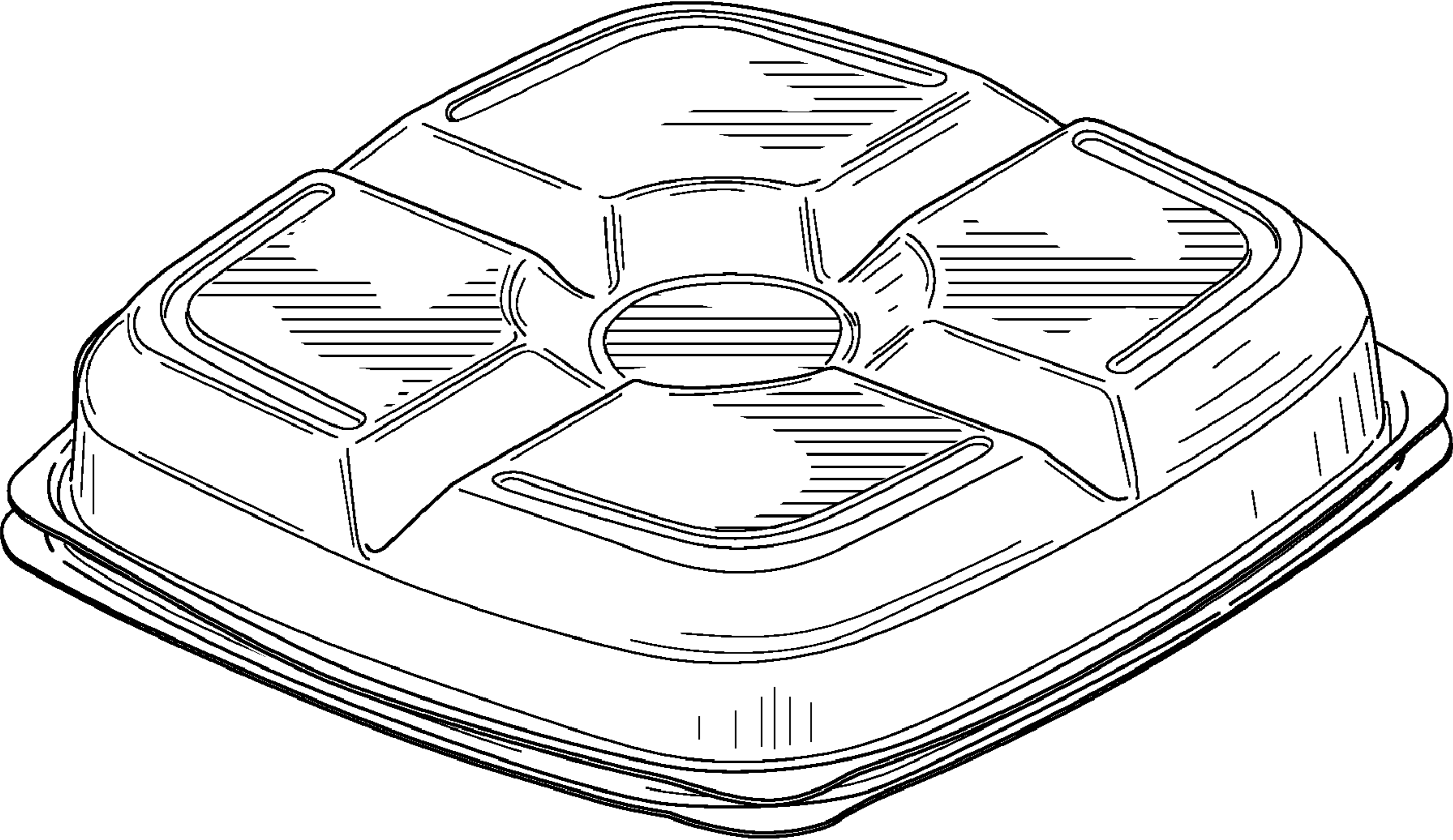
## U.S. PATENT DOCUMENTS

D268,317 S *	3/1983	Wyatt, Jr. ....	D7/553.5	6,783,017 B2	8/2004	Griffin	
D285,638 S	9/1986	Trivison		D496,831 S	10/2004	Strahota et al.	
D291,042 S	7/1987	Fahey et al.		D511,273 S	11/2005	Hadeler	
4,732,274 A	3/1988	Bouton		D527,954 S	9/2006	Roth	
D300,101 S *	3/1989	Ritman .....	D7/541	D572,540 S	7/2008	Shew et al.	
4,865,219 A	9/1989	Logan et al.		D572,541 S	7/2008	Shew et al.	
D304,658 S	11/1989	Mattei		D573,847 S	7/2008	Bizzell et al.	
D312,026 S	11/1990	Antoni et al.		D579,274 S	10/2008	Bizzell	
D351,087 S *	10/1994	Anderson .....	D7/541	D592,013 S *	5/2009	Bizzell et al. ....	D7/553.4
D352,204 S	11/1994	Hayes et al.		D592,014 S *	5/2009	Bizzell et al. ....	D7/553.4
D366,395 S *	1/1996	Wyatt et al. ....	D7/552.2	2007/0062965 A1	3/2007	Anderson et al.	
5,593,062 A	1/1997	Martin		2008/0029426 A1	2/2008	Anderson et al.	
D399,095 S	10/1998	Schmidt		2008/0029427 A1	2/2008	Anderson et al.	
D401,810 S	12/1998	Swift		2008/0083759 A1	4/2008	Anderson et al.	
5,894,944 A	4/1999	Swift		2008/0083760 A1	4/2008	Anderson et al.	
6,042,856 A	3/2000	Sagan et al.		2008/0110914 A1	5/2008	Anderson et al.	
D426,110 S	6/2000	Schmidt		2008/0121550 A1	5/2008	Anderson et al.	
6,168,813 B1	1/2001	Blazevich		2008/0121551 A1	5/2008	Anderson et al.	
D449,966 S	11/2001	Demars		2008/0121552 A1	5/2008	Anderson et al.	
D460,897 S	7/2002	Leuenberger		2008/0124440 A1	5/2008	Anderson et al.	
D461,099 S	8/2002	Leuenberger		2008/0128313 A1	6/2008	Anderson et al.	
6,514,548 B2	2/2003	Lin					
6,550,630 B1	4/2003	Krupa					
D489,972 S	5/2004	Lin					

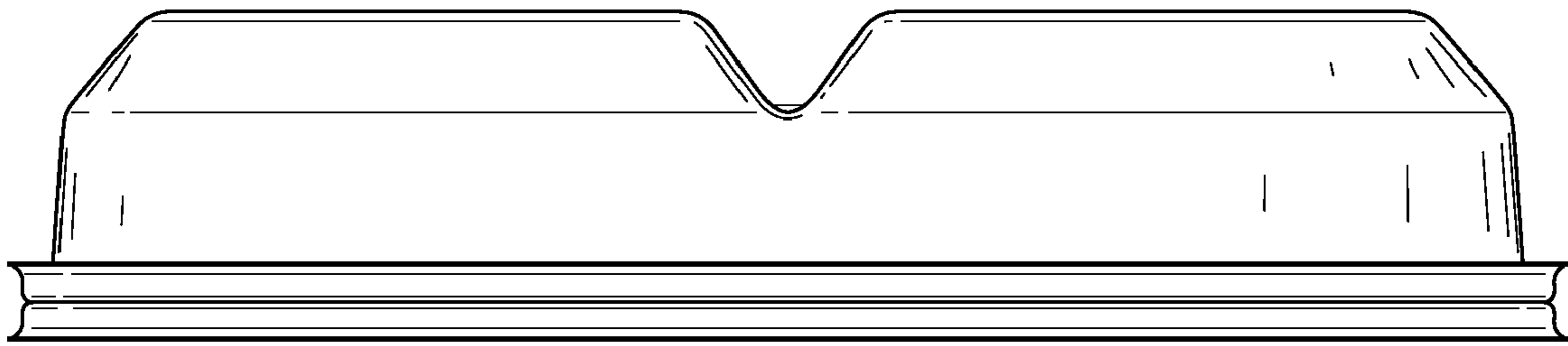
## OTHER PUBLICATIONS

Jerry Shew et al., U.S. Appl. No. 29/1302,605, filed Jan. 20, 2008.

\* cited by examiner



**FIG. 1**



**FIG. 2**