



US00D609967S

(12) **United States Design Patent**
Helfant

(10) **Patent No.:** **US D609,967 S**

(45) **Date of Patent:** **** Feb. 16, 2010**

(54) **SOUP CUP**

(75) Inventor: **Lawrence Helfant**, Commack, NY (US)

(73) Assignee: **Frank Brunckhorst Co., LLC**,
Brooklyn, NY (US)

(**) Term: **14 Years**

(21) Appl. No.: **29/340,296**

(22) Filed: **Jul. 16, 2009**

(51) **LOC (9) Cl.** **07-01**

(52) **U.S. Cl.** **D7/509; D7/531; D7/586;**
D7/587

(58) **Field of Classification Search** **D7/507,**
D7/509, 523, 531, 534, 558, 602, 354, 545,
D7/543, 587, 586, 629, 615; D9/428, 425;
215/10; 220/703, 575, 23.83

See application file for complete search history.

(56) **References Cited**

U.S. PATENT DOCUMENTS

D272,030 S *	1/1984	Sleith	D7/565
D279,532 S *	7/1985	Pozzi	D7/545
D286,844 S *	11/1986	Daenen et al.	D7/586
D288,048 S *	2/1987	Unger	D7/543
D346,720 S *	5/1994	Onneweer	D7/629
D432,360 S *	10/2000	Greene	D7/543

D473,426 S *	4/2003	Jalet et al.	D7/545
D486,999 S *	2/2004	de Groote et al.	D7/667
D508,188 S *	8/2005	Zettle et al.	D7/629
D508,822 S *	8/2005	Smith et al.	D7/545
D510,235 S *	10/2005	Sorensen	D7/510
D589,789 S *	4/2009	Follansbee et al.	D9/425
D597,365 S *	8/2009	Oas	D7/300.1

* cited by examiner

Primary Examiner—Marianne Pandozzi

(74) *Attorney, Agent, or Firm*—Hoffmann & Baron, LLP

(57) **CLAIM**

The ornamental design for a soup cup, as shown and described.

DESCRIPTION

FIG. 1 is a perspective view of a soup cup showing our new design;

FIG. 2 is a top view thereof;

FIG. 3 is a front elevation view thereof;

FIG. 4 is a side elevation view thereof; and,

FIG. 5 is a bottom view thereof.

The subject matter shown in broken lines is for illustrative purposes only and forms no part of the claimed design.

1 Claim, 5 Drawing Sheets

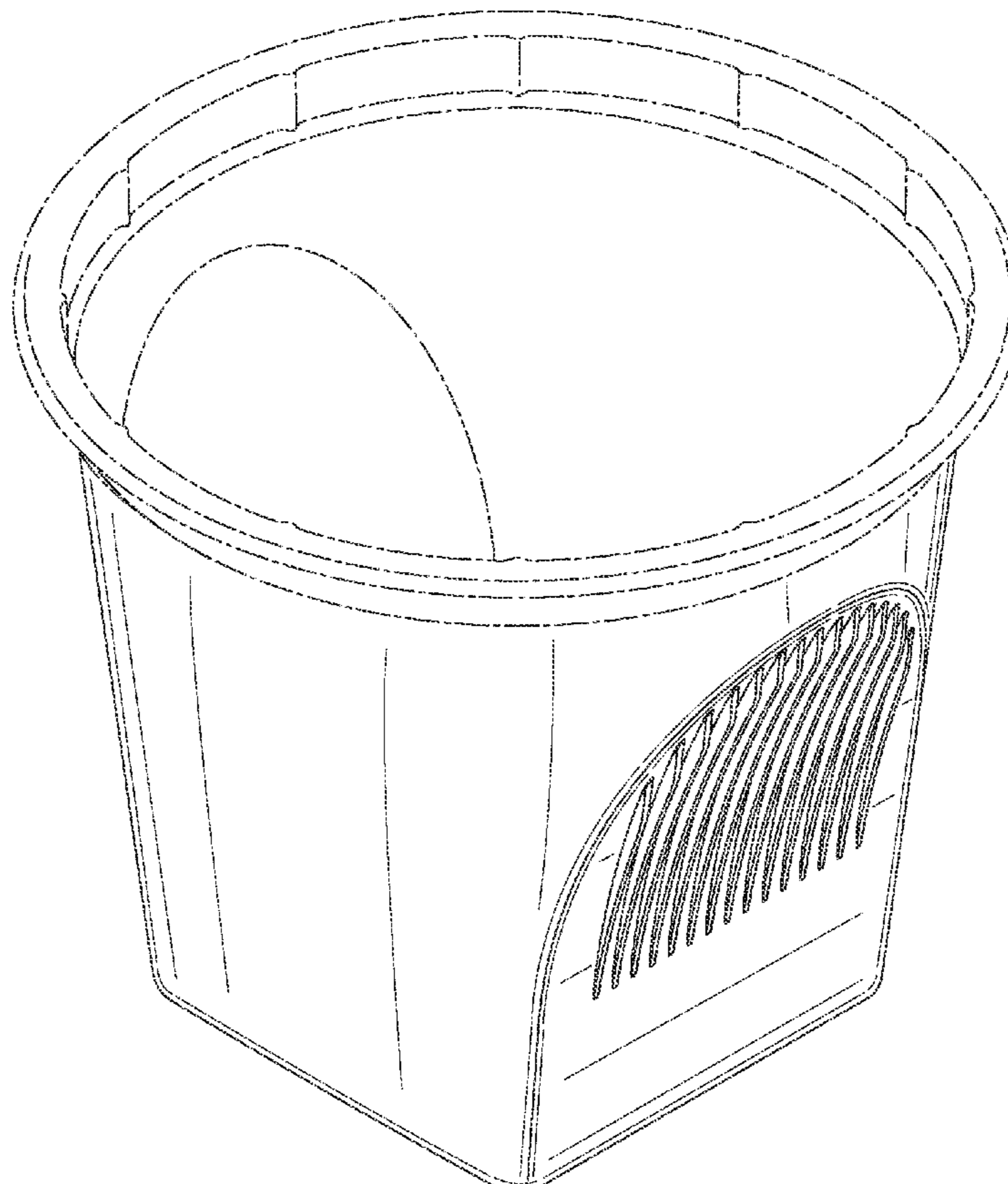


FIG. 1

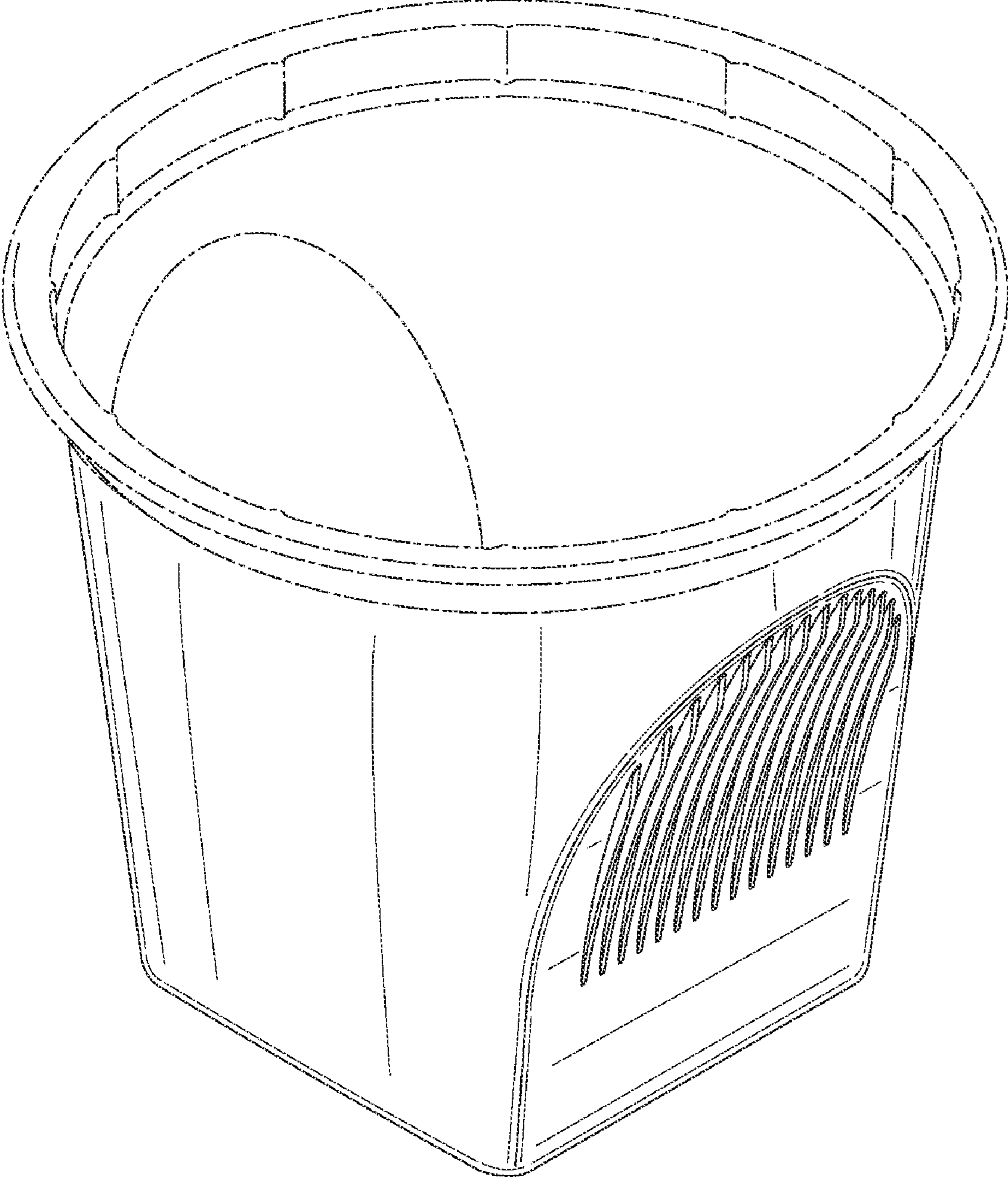


FIG. 2

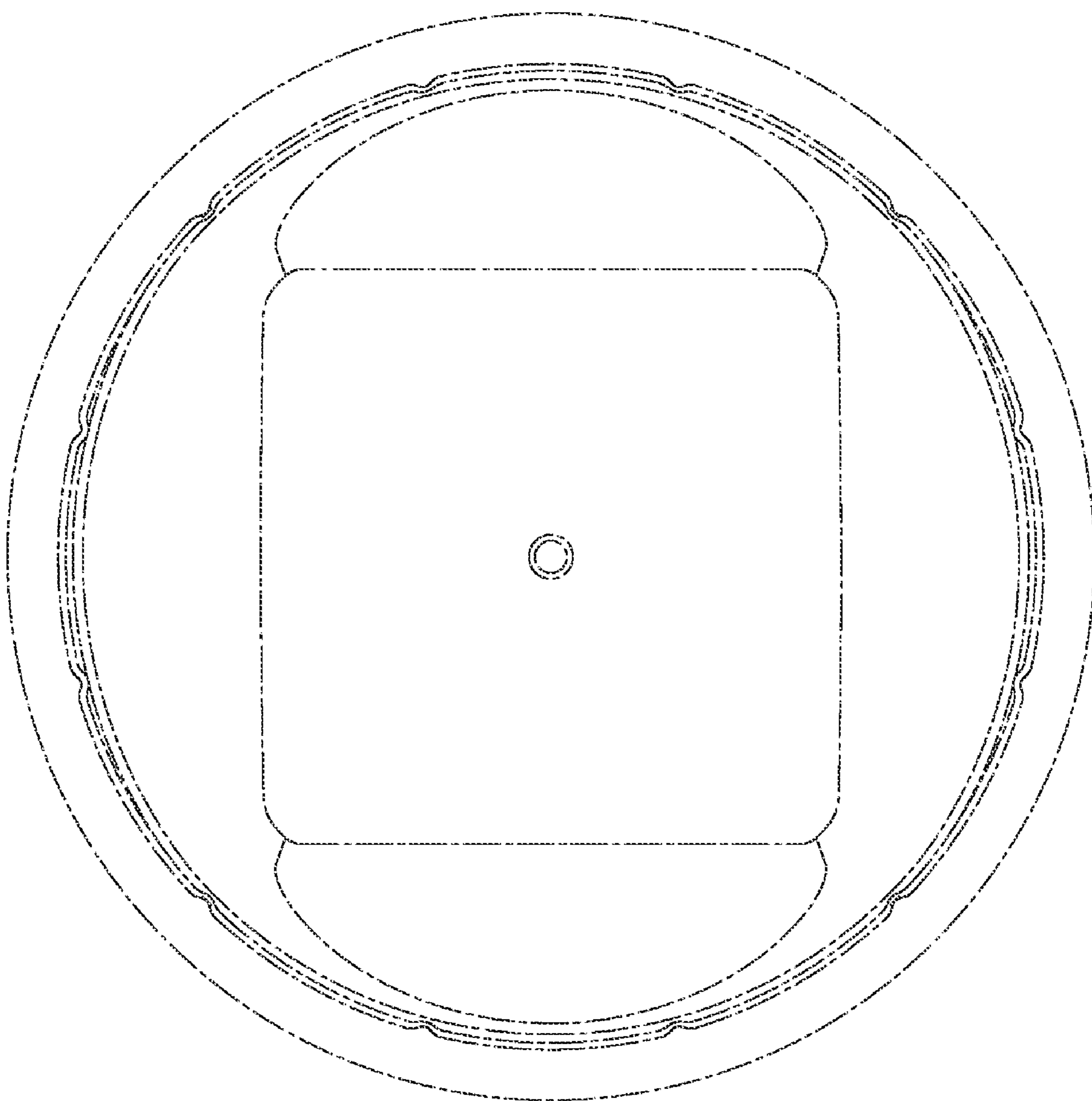


FIG. 3

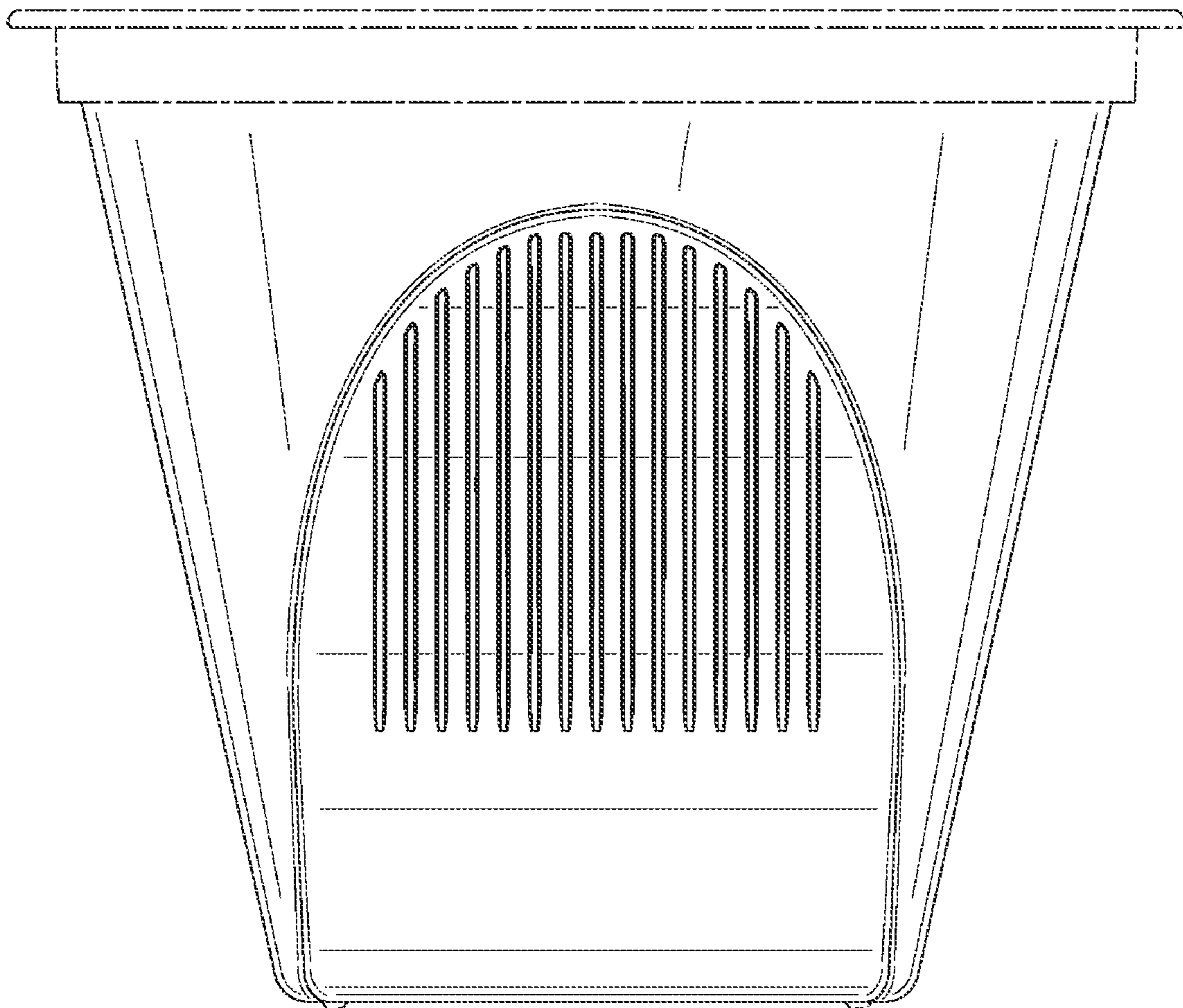


FIG. 4

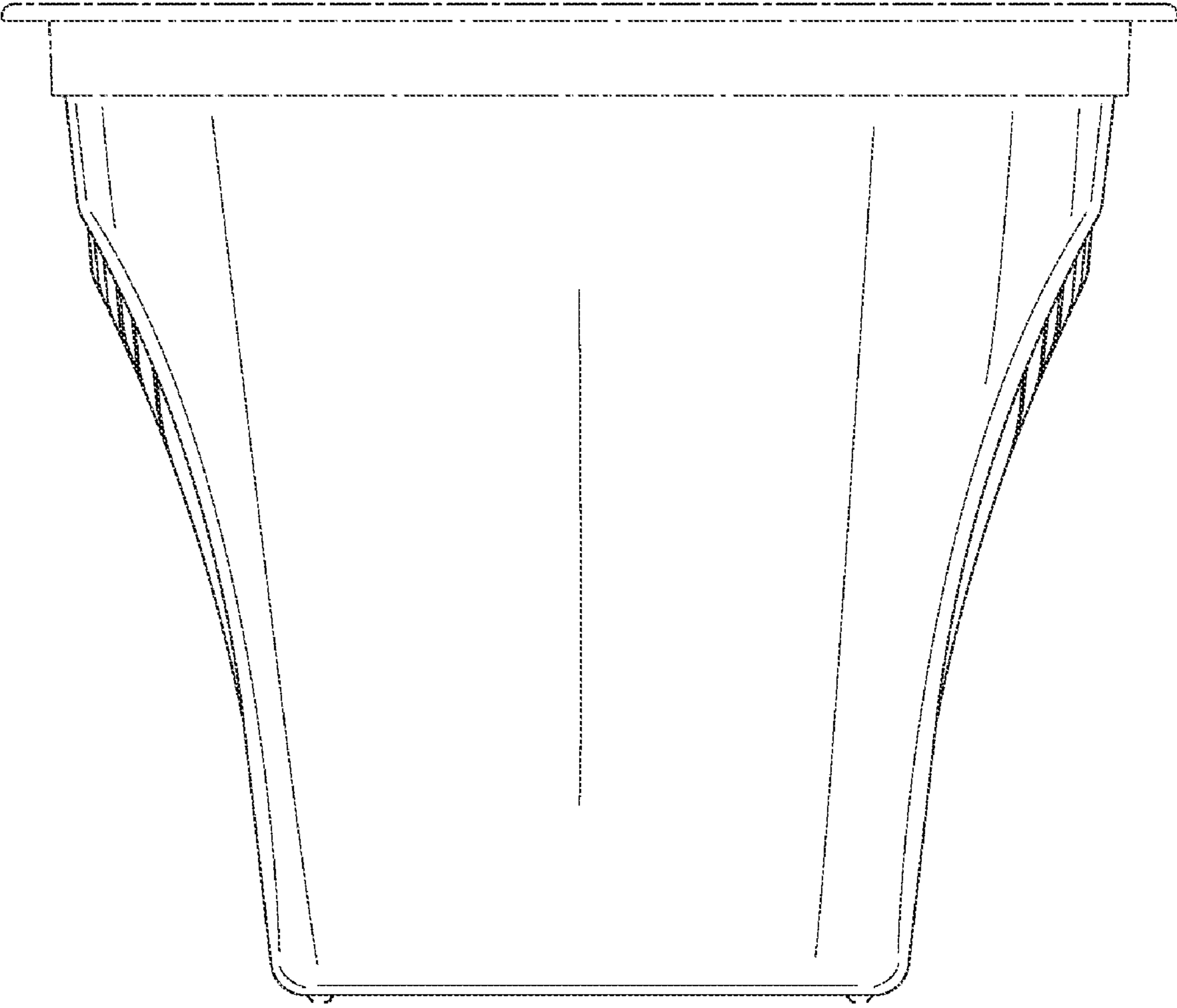


FIG. 5

