



US00D609965S

(12) **United States Design Patent**  
**Tetreault**

(10) **Patent No.:** **US D609,965 S**

(45) **Date of Patent:** **\*\* Feb. 16, 2010**

(54) **COOKWARE HANDLE**

(75) Inventor: **Joel Tetreault**, Roswell, GA (US)

(73) Assignee: **Calphalon Corporation**, Atlanta, GA (US)

(\*\*) Term: **14 Years**

(21) Appl. No.: **29/311,768**

(22) Filed: **Jun. 15, 2009**

(51) **LOC (9) Cl.** ..... **07-02**

(52) **U.S. Cl.** ..... **D7/394**

(58) **Field of Classification Search** ..... D7/354-361,  
D7/393-395, 693, 696; D8/107, 300, 301,  
D8/307, 315, 317, 319; 16/430, 431, 110.1,  
16/407, 441, 443; 220/573.1-573.5, 752,  
220/753, 755, 756, 912; D3/318; 30/298.4,  
30/315

See application file for complete search history.

(56) **References Cited**

**U.S. PATENT DOCUMENTS**

D28,324 S *	3/1898	Pritchard	.....	D7/394
D494,808 S *	8/2004	Thomkins	.....	D7/394
D503,307 S *	3/2005	Thomkins	.....	D7/394
D527,982 S *	9/2006	Brasset	.....	D8/317
D564,857 S *	3/2008	Lee	.....	D8/316
D565,890 S *	4/2008	Bunting et al.	.....	D7/394
D578,371 S *	10/2008	Matijevic	.....	D8/316
D580,705 S *	11/2008	Moulin Robson	.....	D7/394
D584,921 S *	1/2009	Moulin Robson	.....	D7/394
D596,918 S *	7/2009	Menzies	.....	D8/315

\* cited by examiner

*Primary Examiner*—Philip S Hyder  
*Assistant Examiner*—Cynthia M Chin

(74) *Attorney, Agent, or Firm*—Gardner Groff Greenwald & Villanueva, PC

(57) **CLAIM**

The ornamental design for the cookware handle, as shown and described.

**DESCRIPTION**

FIG. 1 is a top perspective view of the cookware handle showing the new design;

FIG. 2 is a side view of the cookware handle of FIG. 1;

FIG. 3 is a bottom view of the cookware handle of FIG. 1;

FIG. 4 is a top view of the cookware handle of FIG. 1;

FIG. 5 is an enlarged partial perspective view of the cookware handle of FIG. 1;

FIG. 6 is a plan view of the cookware handle of FIG. 1;

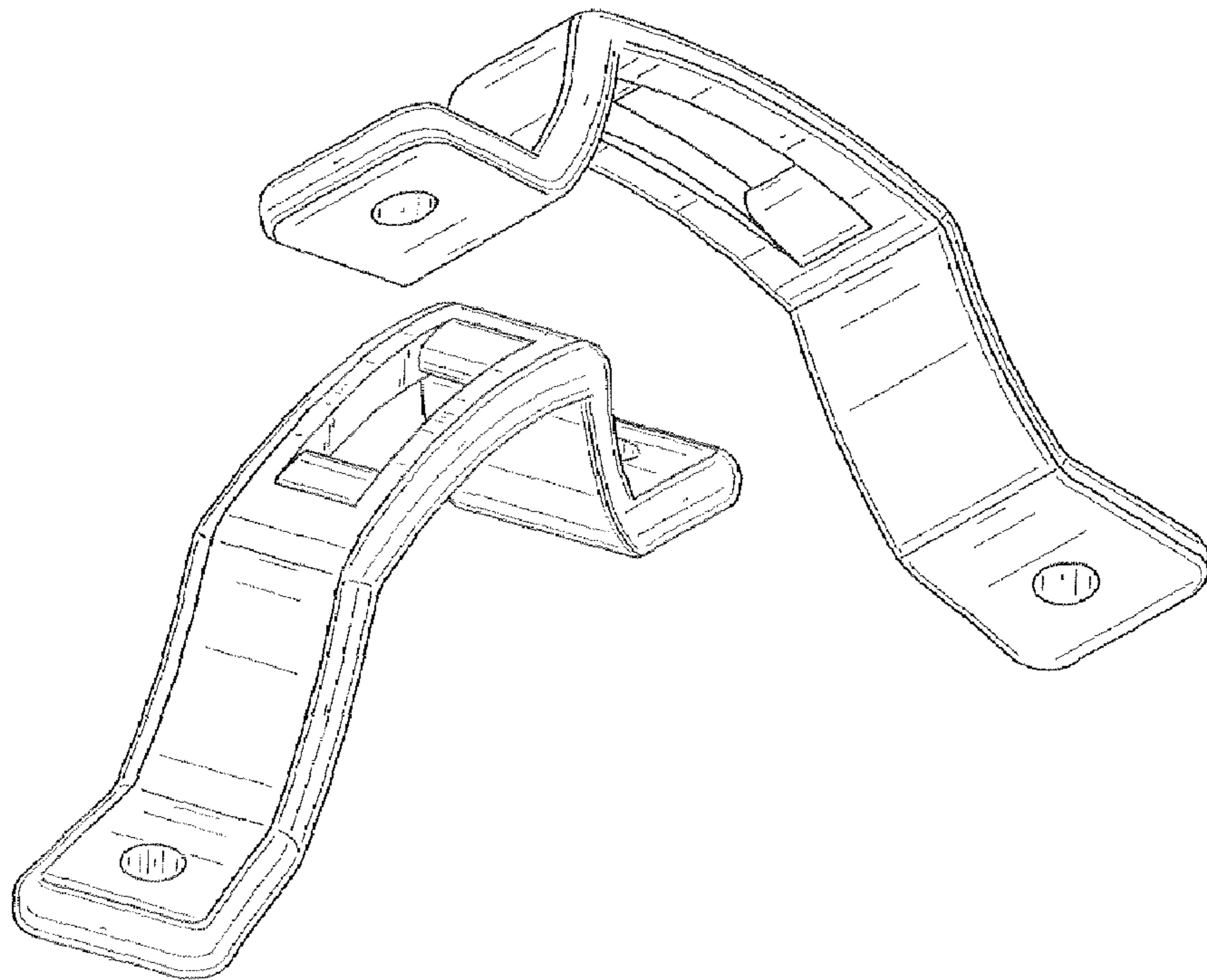
FIG. 7 is a perspective side view of the cookware handle of FIG. 1;

FIG. 8 is another perspective side view of the cookware handle of FIG. 1; and,

FIG. 9 is a perspective bottom of the cookware handle of FIG. 1.

The ornamental design which is claimed is shown in solid lines in the drawings. The broken lines in the drawings are for illustrative purposes only and form no part of the claimed design.

**1 Claim, 7 Drawing Sheets**



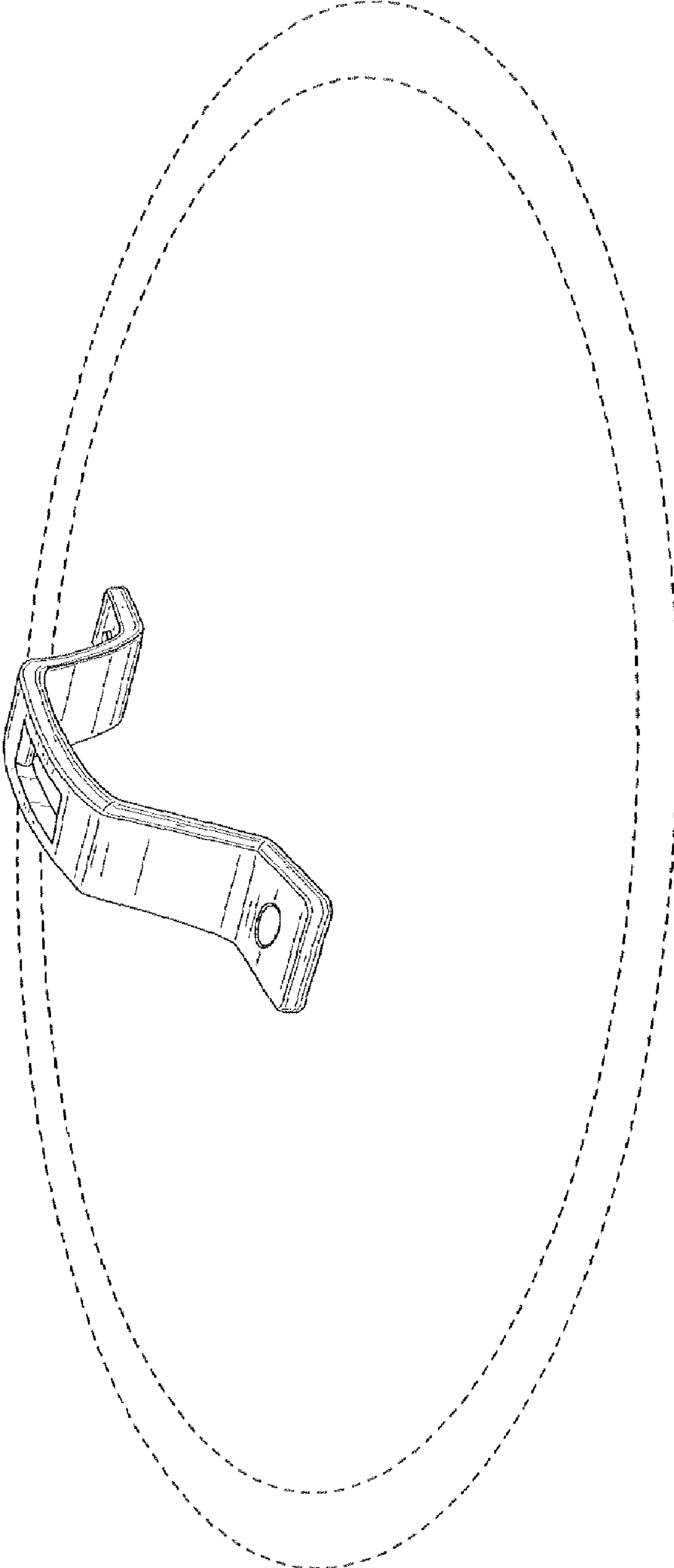


FIG. 1

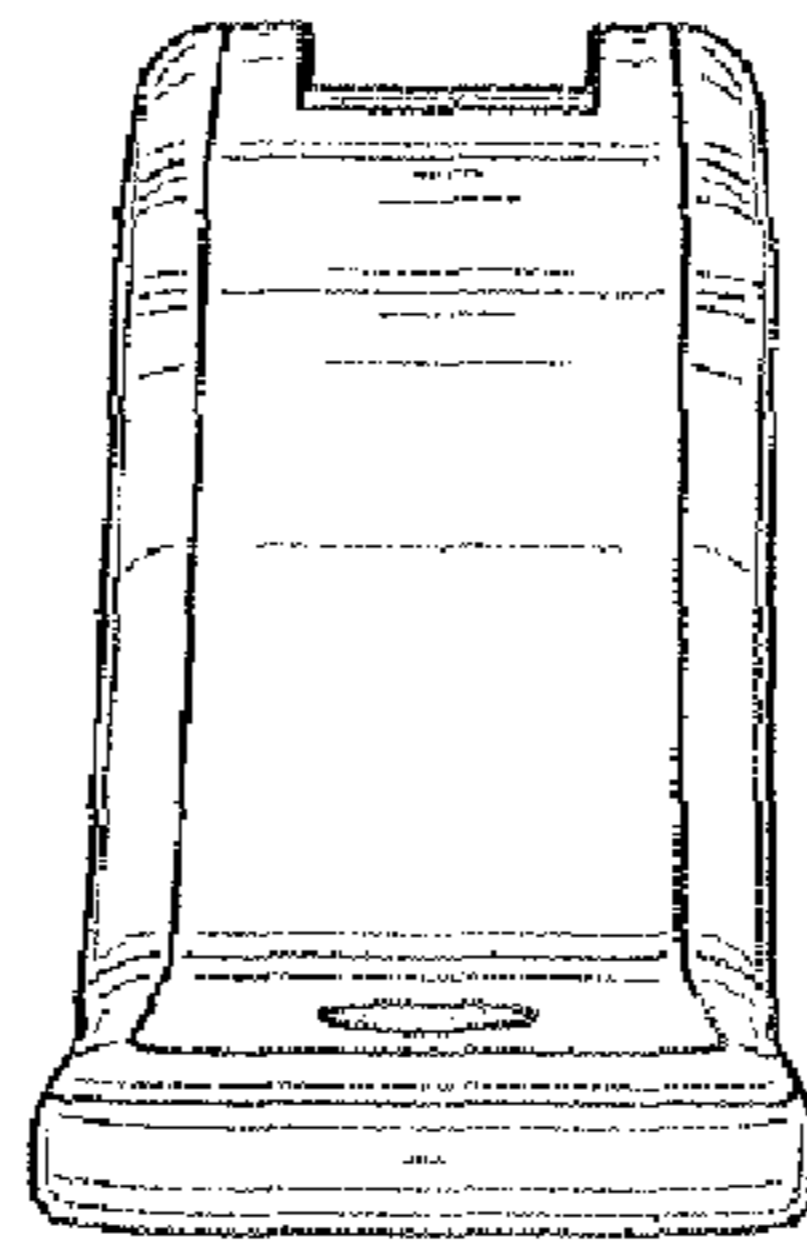


FIG. 2

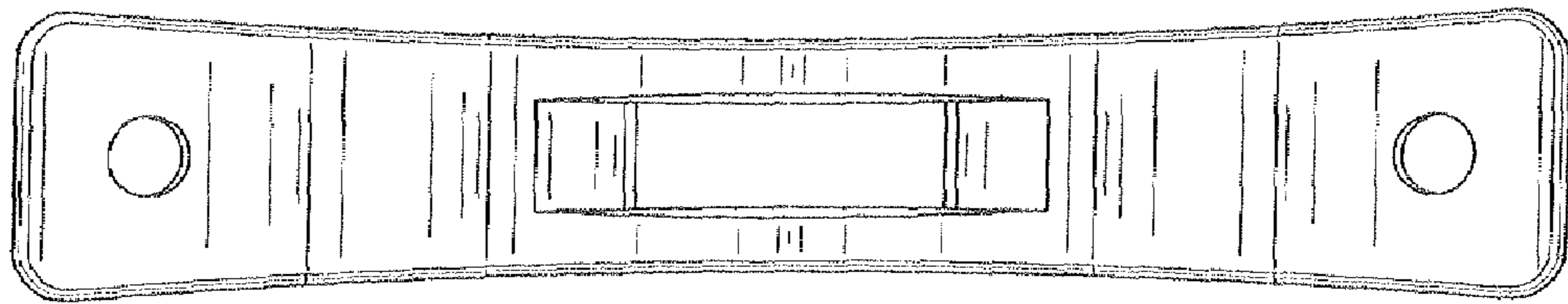


FIG. 3

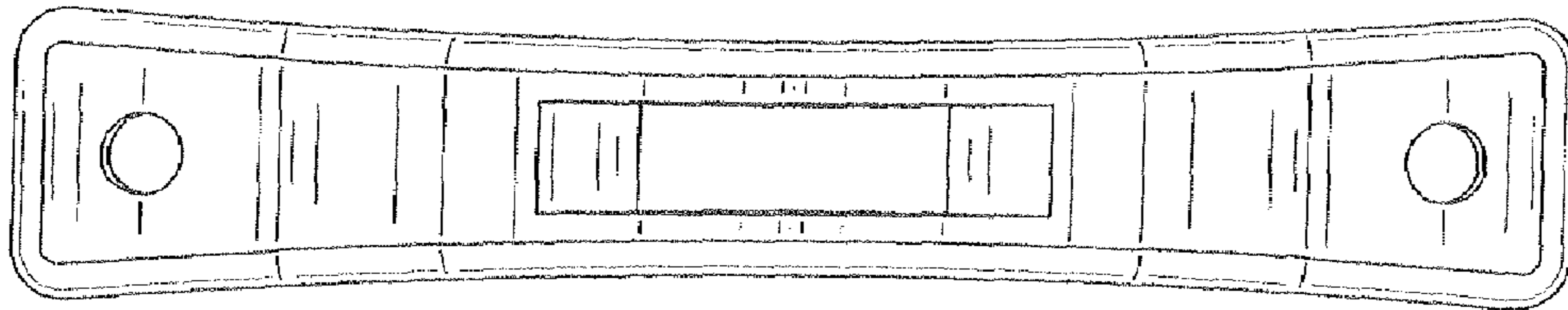


FIG. 4

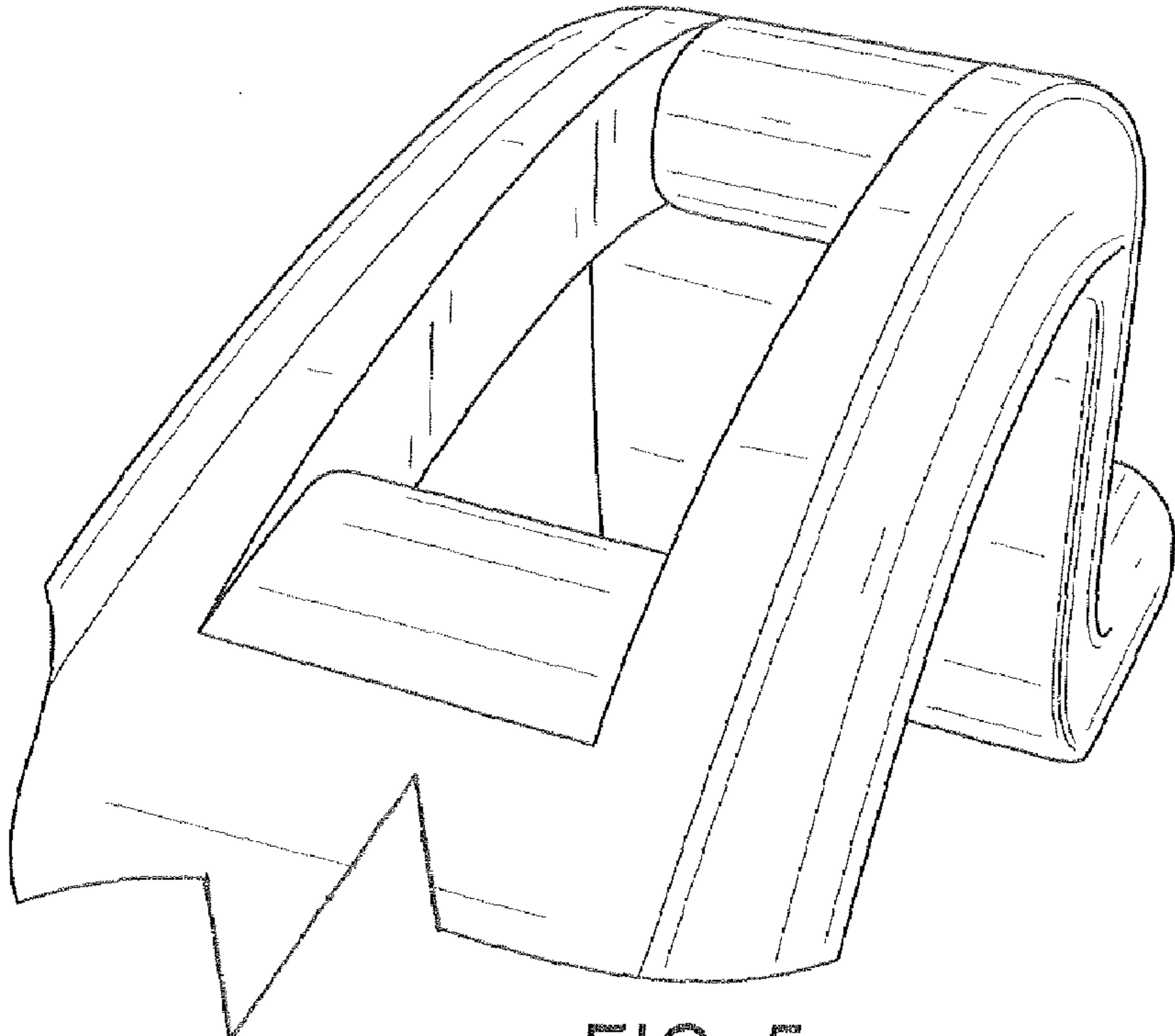


FIG. 5

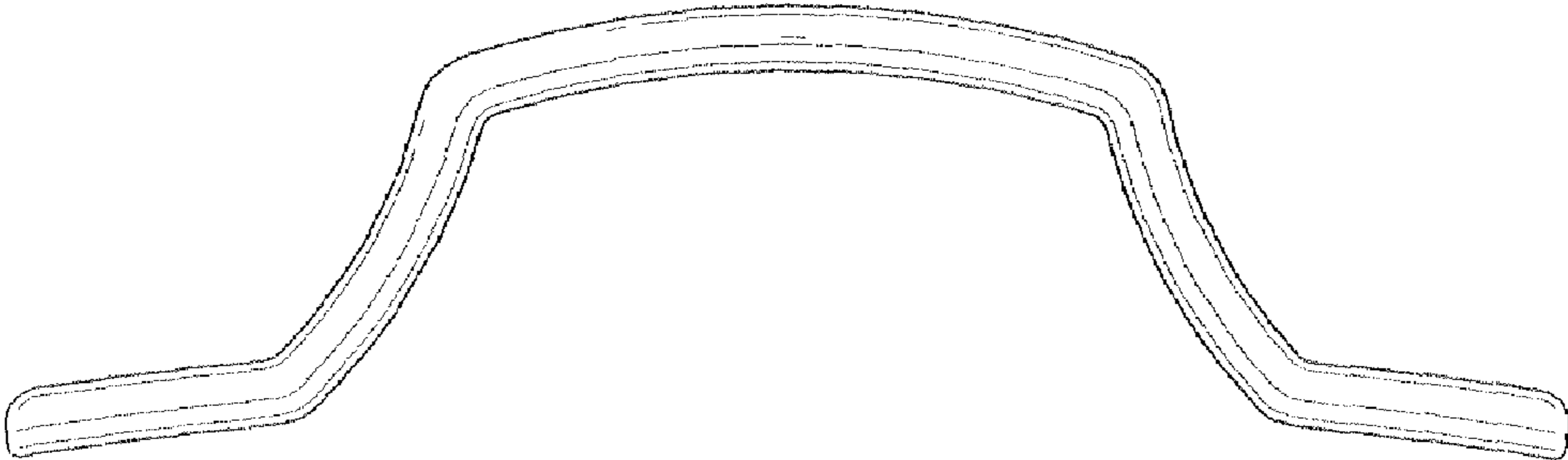


FIG. 6

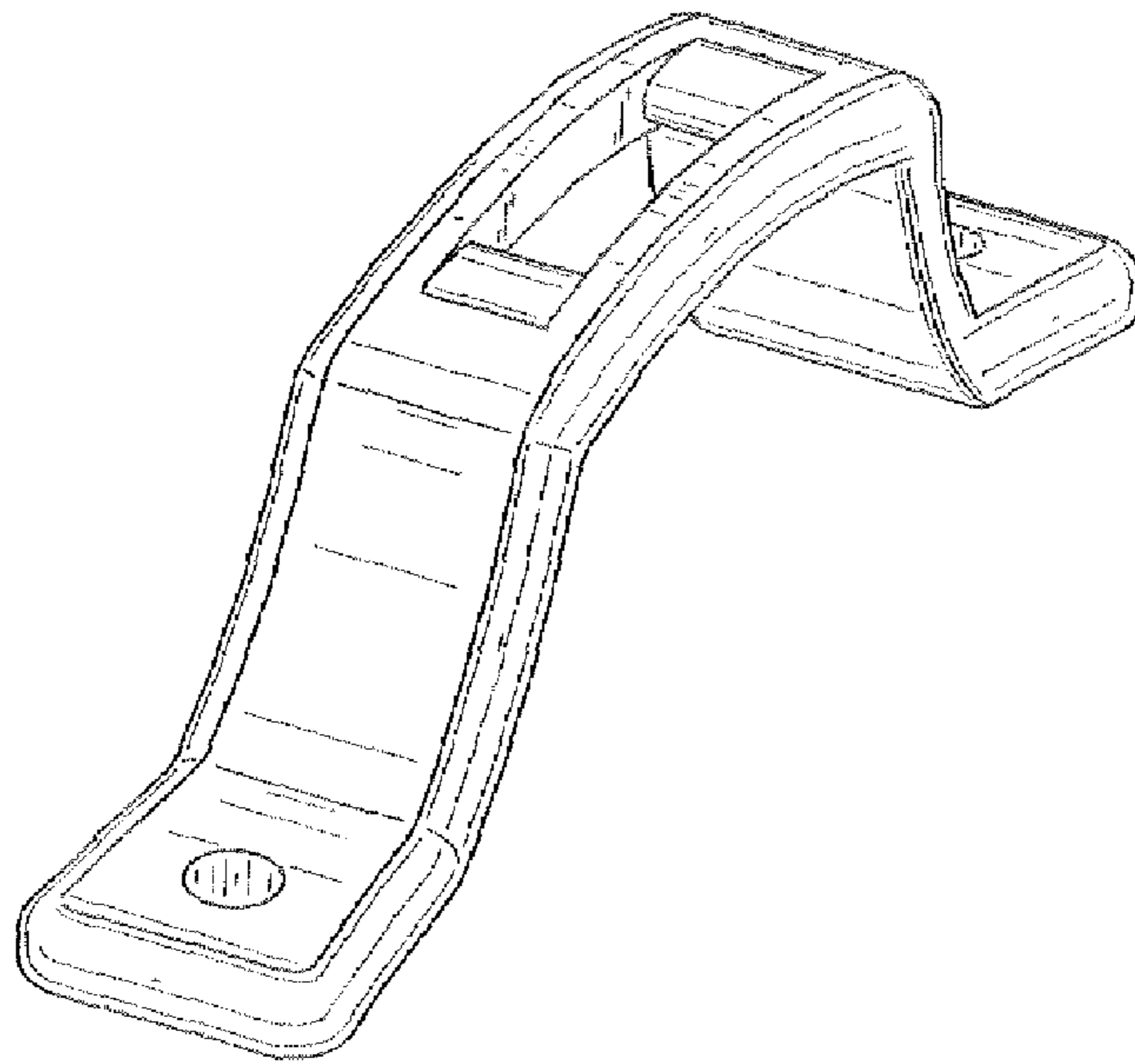


FIG. 7

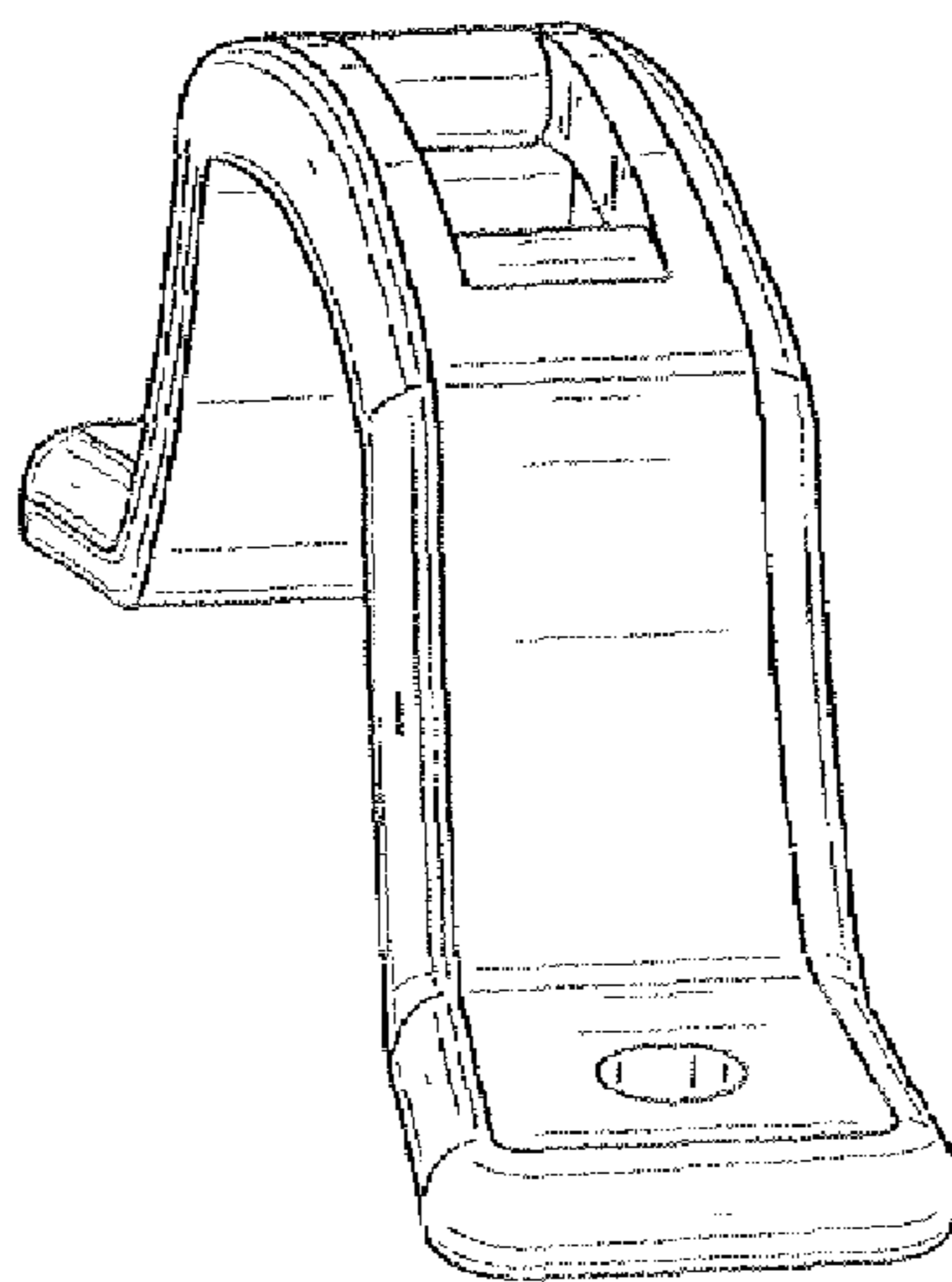


FIG. 8

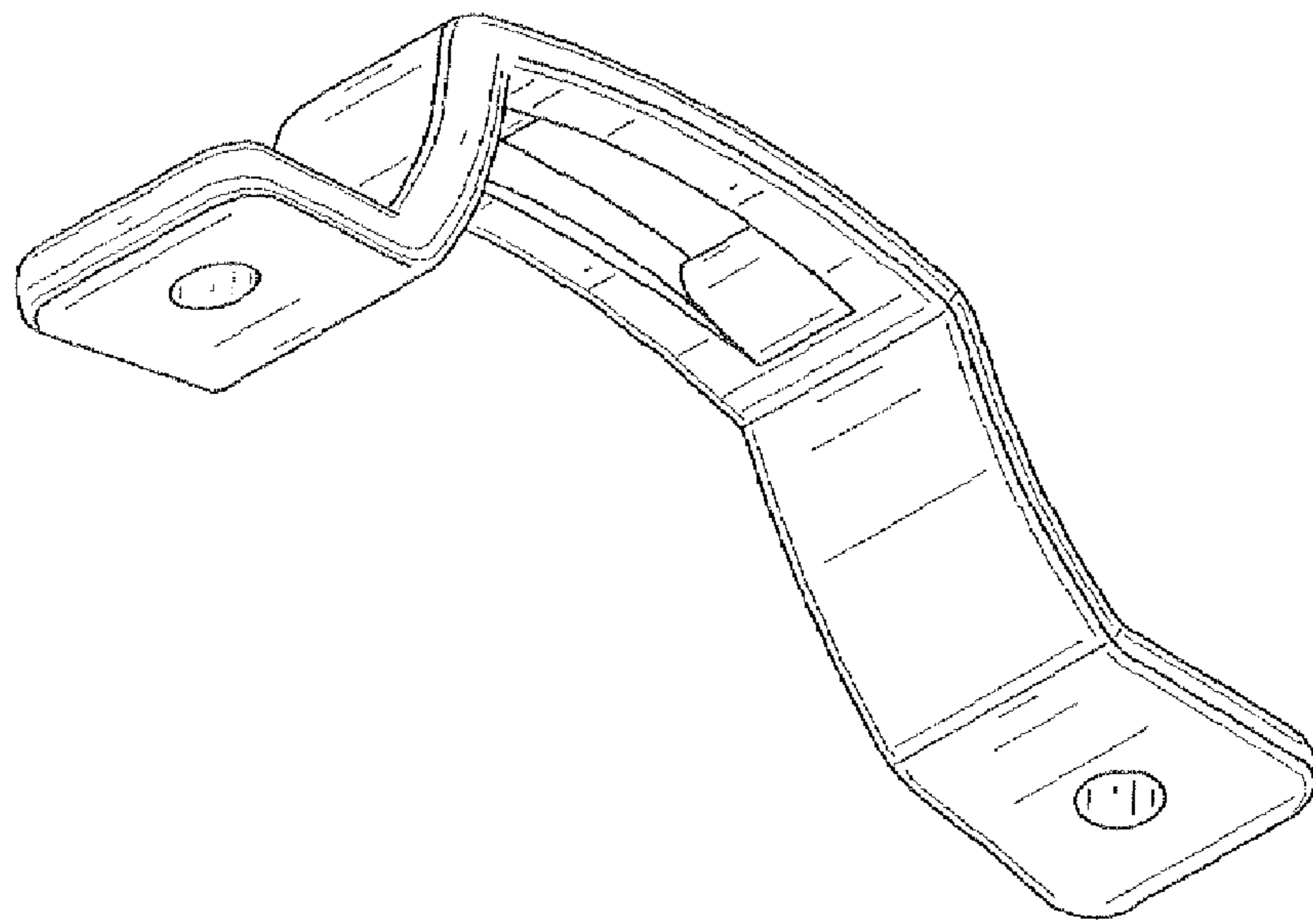


FIG. 9