

US00D609964S

(12) **United States Design Patent**
Lane

(10) **Patent No.:** **US D609,964 S**

(45) **Date of Patent:** **** Feb. 16, 2010**

(54) **LID FOR A BEVERAGE CONTAINER**

(75) Inventor: **Marvin Lane**, Round Lake Beach, IL
(US)

(73) Assignee: **Thermos L.L.C.**, Rolling Meadows, IL
(US)

(**) Term: **14 Years**

(21) Appl. No.: **29/314,155**

(22) Filed: **Mar. 6, 2009**

(51) **LOC (9) Cl.** **07-02**

(52) **U.S. Cl.** **D7/392.1**

(58) **Field of Classification Search** D7/510,
D7/511, 638, 392, 392.1, 396.1, 396.2; D9/435,
D9/438, 439, 445, 447, 449, 452-454, 510,
D9/709, 715, 718, 781; 220/212, 254.9,
220/270, 271, 345.1, 547, 575, 708; 215/254,
215/388; 222/547

See application file for complete search history.

(56) **References Cited**

U.S. PATENT DOCUMENTS

- D409,043 S * 5/1999 Lillelund et al. D7/392
- D418,364 S * 1/2000 Demore D7/392.1
- D505,294 S * 5/2005 Gauss D7/392.1
- D508,185 S * 8/2005 Gauss D7/392.1
- 7,073,678 B1 * 7/2006 Dibdin et al. 220/254.1
- D528,862 S * 9/2006 Li D7/510
- D536,975 S * 2/2007 Smith et al. D9/449
- D540,119 S * 4/2007 Lapsker D7/510

- D561,586 S * 2/2008 Hadtke et al. D9/449
- D571,147 S * 6/2008 Rohe D7/392.1
- D589,743 S * 4/2009 Pearson D7/392
- 2005/0115977 A1 * 6/2005 Dibdin et al. 220/714

* cited by examiner

Primary Examiner—Holly H Baynham

Assistant Examiner—Cynthia M Chin

(74) *Attorney, Agent, or Firm*—Wood, Phillips, Katz, Clark & Mortimer

(57) **CLAIM**

The ornamental design for a lid for a beverage container, as shown and described.

DESCRIPTION

FIG. 1 is a perspective view from above of the lid for a beverage container;

FIG. 2 is a perspective view from below of the lid for a beverage container;

FIG. 3 is a front view of the lid for a beverage container;

FIG. 4 is a left side elevation view of the lid for a beverage container, with the right side view being a mirror image;

FIG. 5 is a top plan view of the lid for a beverage container; and,

FIG. 6 is a back view of the lid for a beverage container.

It is to be understood that the broken lines are for illustrative purposes only and form no part of the claimed design.

1 Claim, 3 Drawing Sheets

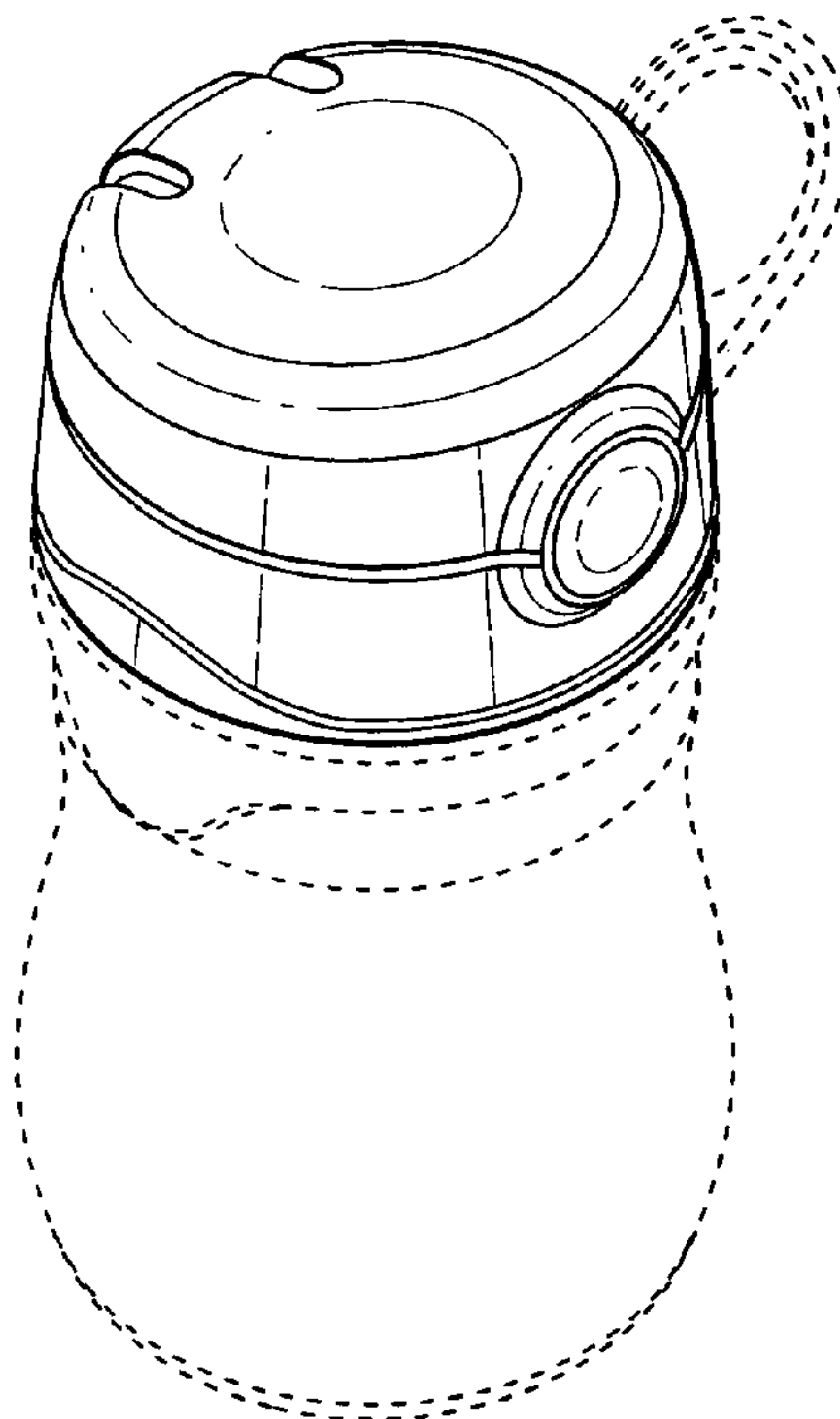


Fig. 1

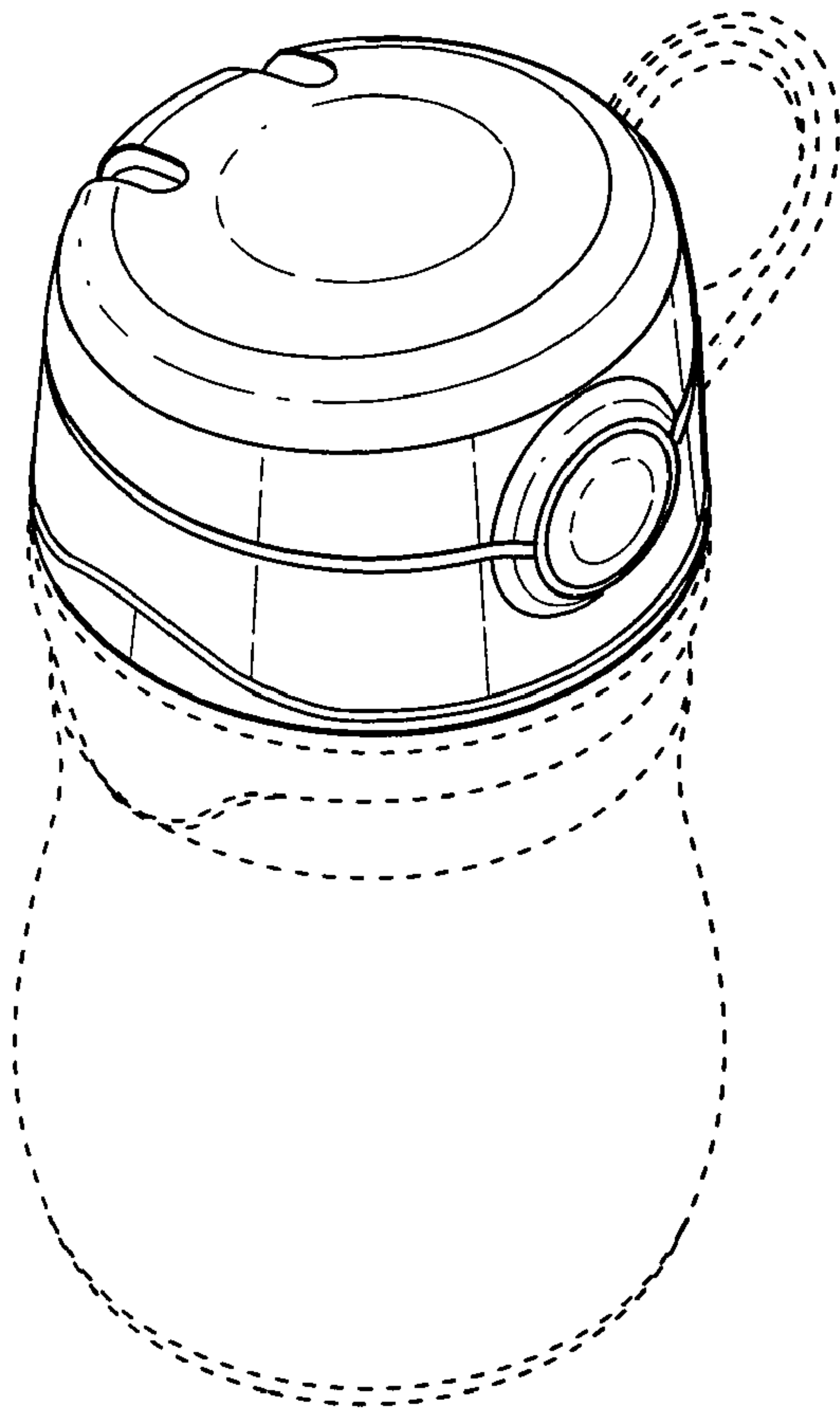


Fig. 2

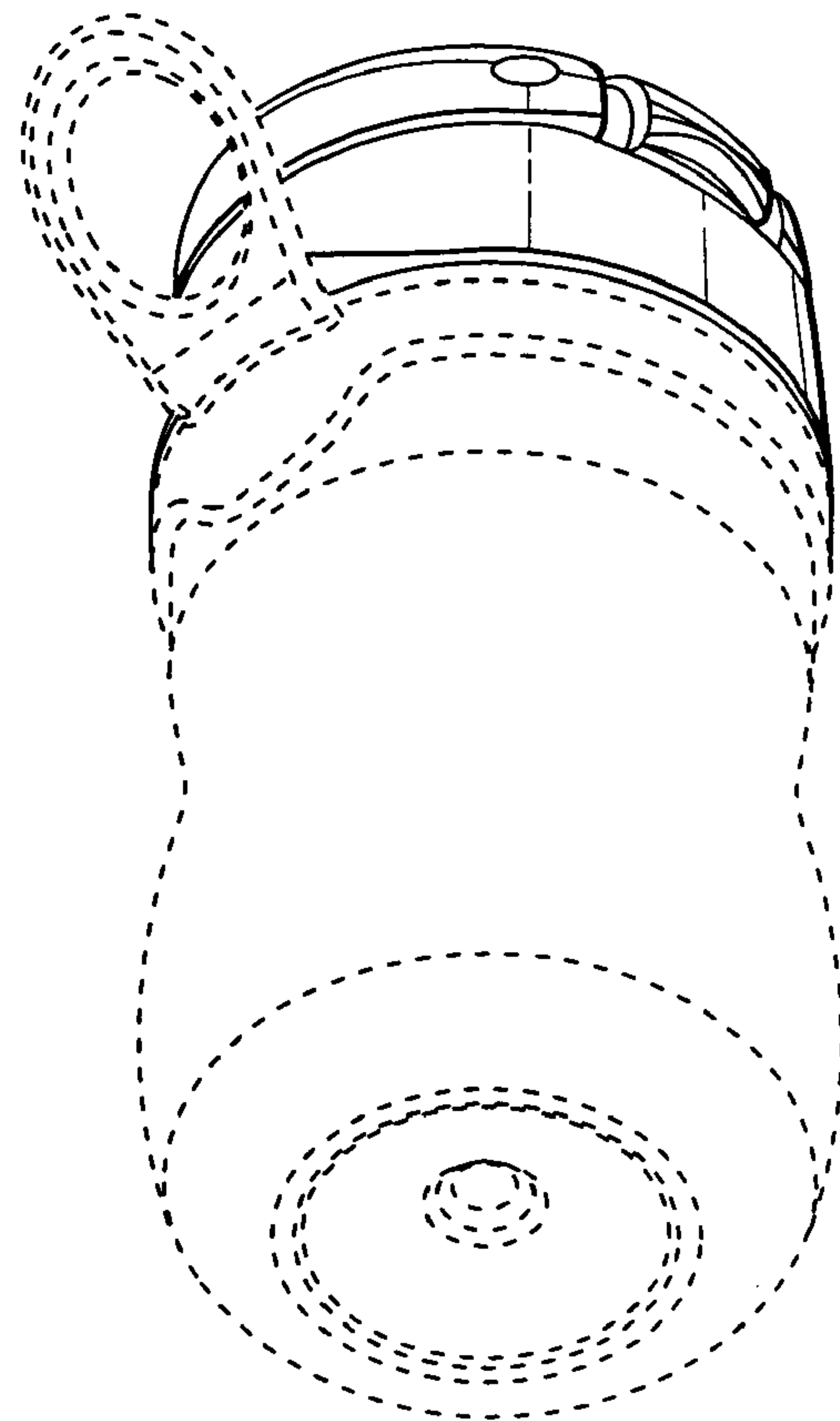


Fig. 3

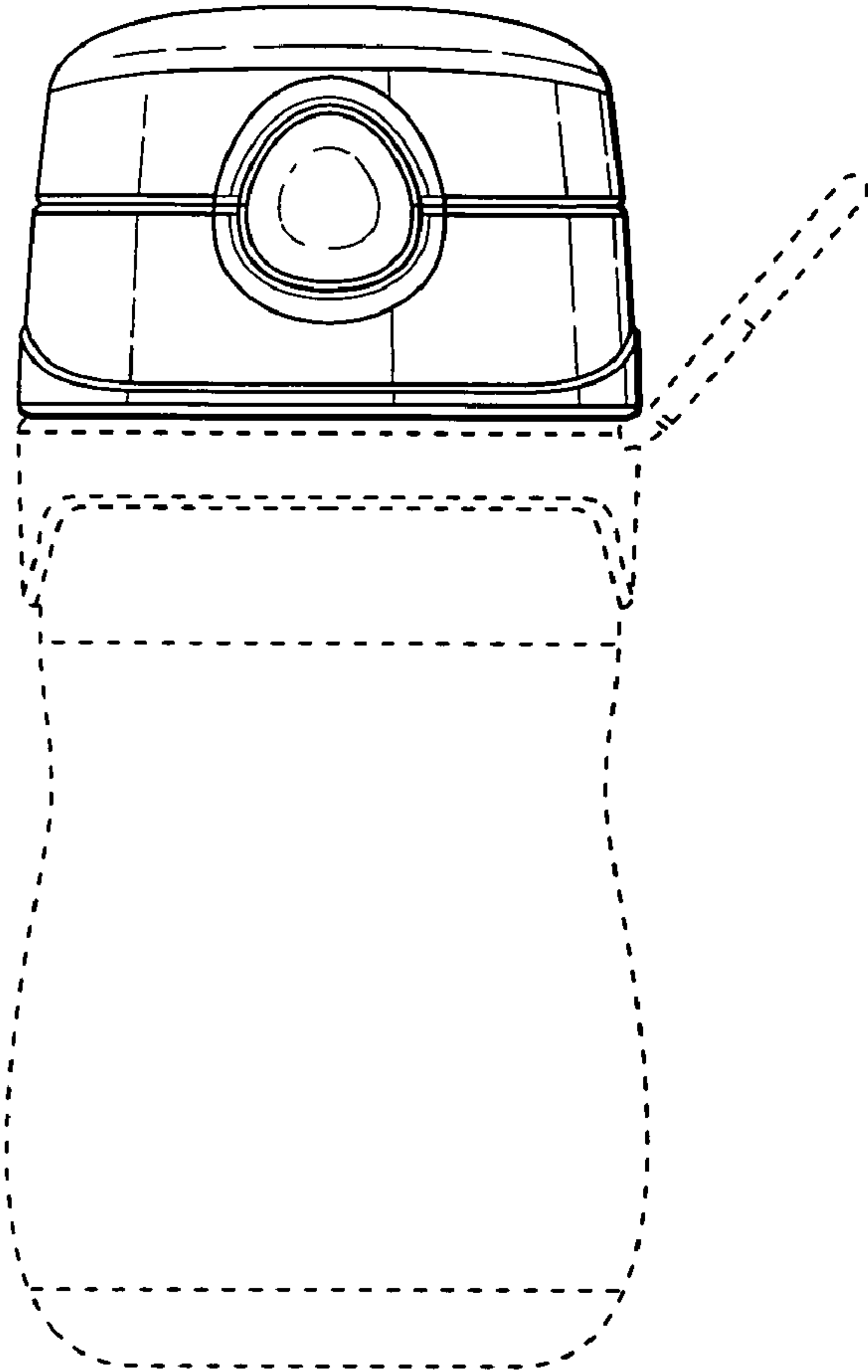


Fig. 4

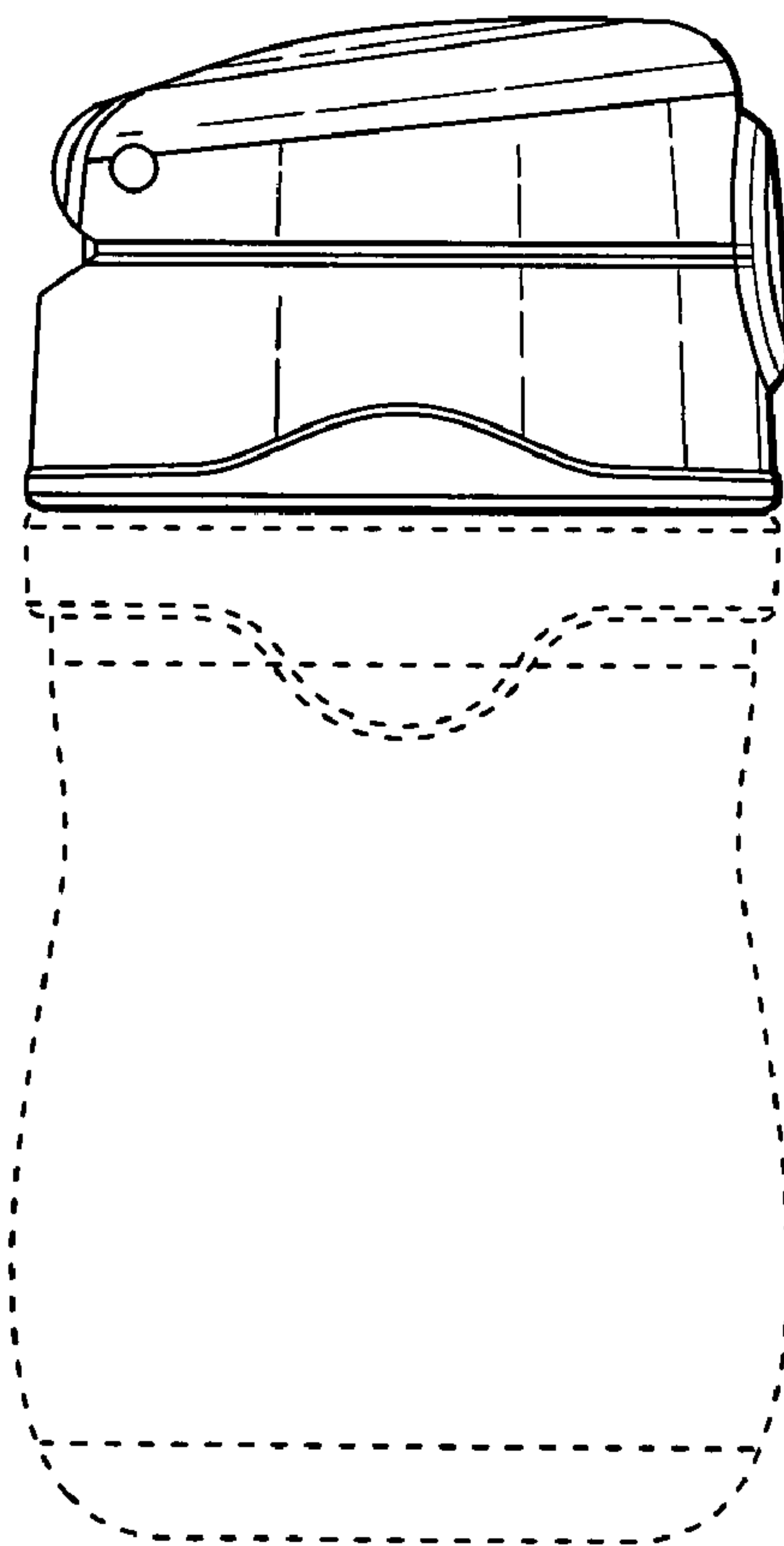


Fig. 5

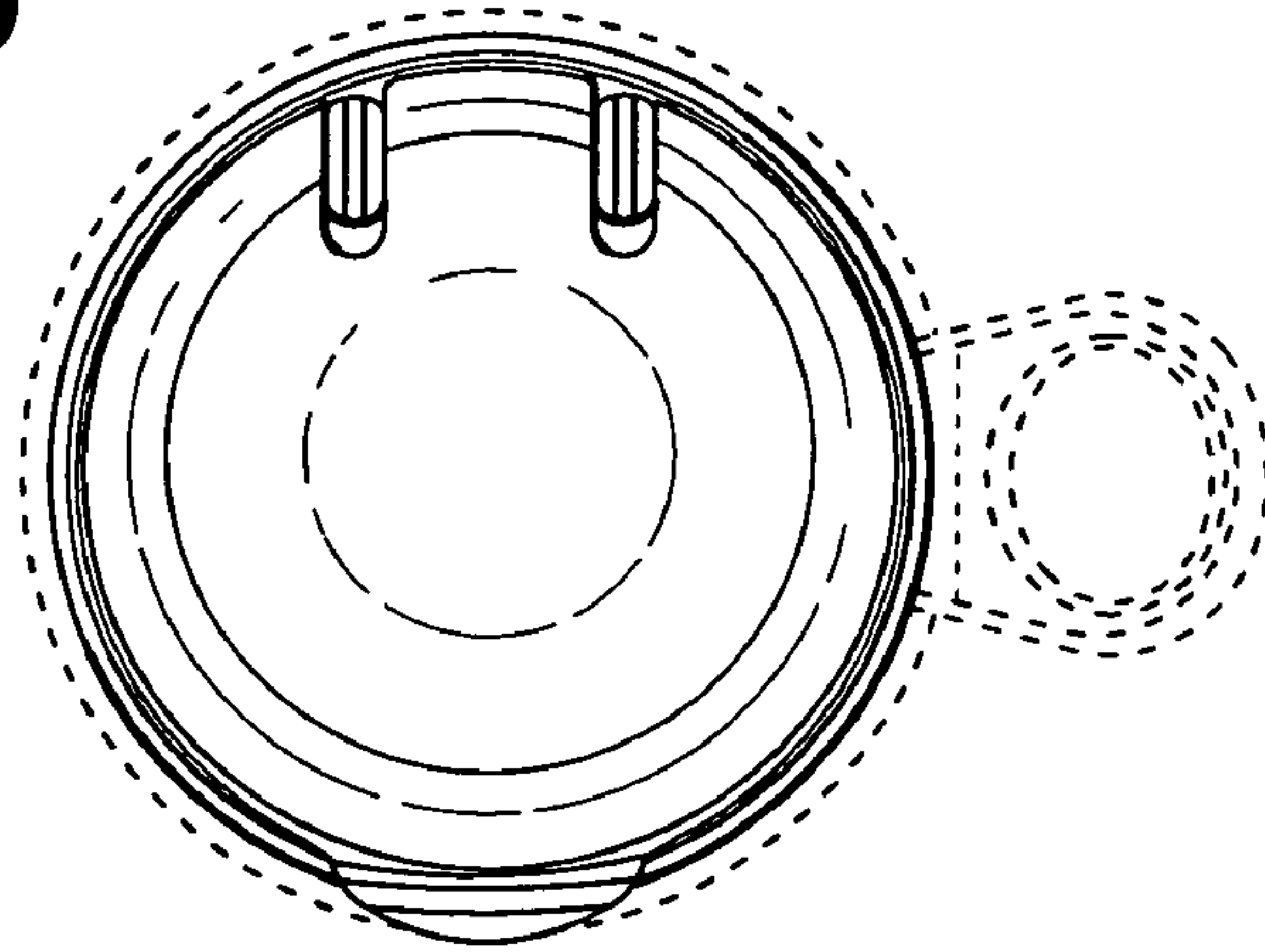


Fig. 6

