



US00D609962S

(12) **United States Design Patent**  
**Fiorotto**

(10) **Patent No.:** **US D609,962 S**  
(45) **Date of Patent:** **\*\* Feb. 16, 2010**

(54) **FRYER**

(75) Inventor: **Francesco Fiorotto**, Roncade (IT)

(73) Assignee: **De'Longhi Appliances S.R.L. Con Unico Socio**, Treviso (IT)

(\*\*) Term: **14 Years**

(21) Appl. No.: **29/340,871**

(22) Filed: **Jul. 27, 2009**

(30) **Foreign Application Priority Data**

Jan. 30, 2009 (EM) ..... 1079073-0006

(51) **LOC (9) Cl.** ..... **07-02**

(52) **U.S. Cl.** ..... **D7/354**

(58) **Field of Classification Search** ..... D7/323,  
D7/330-331, 339, 350.2, 350-367, 378-379,  
D7/383-384, 391, 406, 542-545; 99/324-325,  
99/329 R, 330-339, 403; 219/432-433,  
219/438-441, 620-622, 725-730; 220/203.1,  
220/203.7, 303, 573.1-574, 769-912; 426/438,  
426/441

See application file for complete search history.

(56) **References Cited**

**U.S. PATENT DOCUMENTS**

D272,034 S \* 1/1984 Beugnot ..... D7/360  
D313,530 S \* 1/1991 Leiros ..... D7/354  
D313,531 S \* 1/1991 Barrault ..... D7/360  
D322,910 S \* 1/1992 Stutzer et al. .... D7/354  
D341,056 S \* 11/1993 Powell ..... D7/354  
D345,281 S \* 3/1994 Mauffrey ..... D7/354

D369,505 S \* 5/1996 Philippe ..... D7/354  
D378,647 S \* 4/1997 Piret ..... D7/354  
D386,646 S \* 11/1997 Wurth ..... D7/354  
D427,481 S \* 7/2000 De'Longhi ..... D7/354  
D427,841 S \* 7/2000 De'Longhi ..... D7/354  
D432,348 S \* 10/2000 Shaw ..... D7/354  
D486,351 S \* 2/2004 Lu et al. .... D7/354  
6,807,899 B2 \* 10/2004 Dirand ..... 99/403  
D532,248 S \* 11/2006 Allende Fritsch ..... D7/354  
D533,014 S \* 12/2006 Choi ..... D7/354  
D552,921 S \* 10/2007 Garman et al. .... D7/354  
D557,552 S \* 12/2007 Matras ..... D7/354  
D588,398 S \* 3/2009 Pan ..... D7/354  
D598,700 S \* 8/2009 Seymour ..... D7/354  
D600,066 S \* 9/2009 Seymour ..... D7/354

\* cited by examiner

*Primary Examiner*—Caron Veynar

*Assistant Examiner*—Ricky Pham

(74) *Attorney, Agent, or Firm*—Flaster/Greenberg, P.C.

(57) **CLAIM**

The ornamental design for a fryer, as shown and described.

**DESCRIPTION**

FIG. 1 is a perspective view of the fryer;

FIG. 2 is a front view of the fryer;

FIG. 3 is a rear view of the fryer;

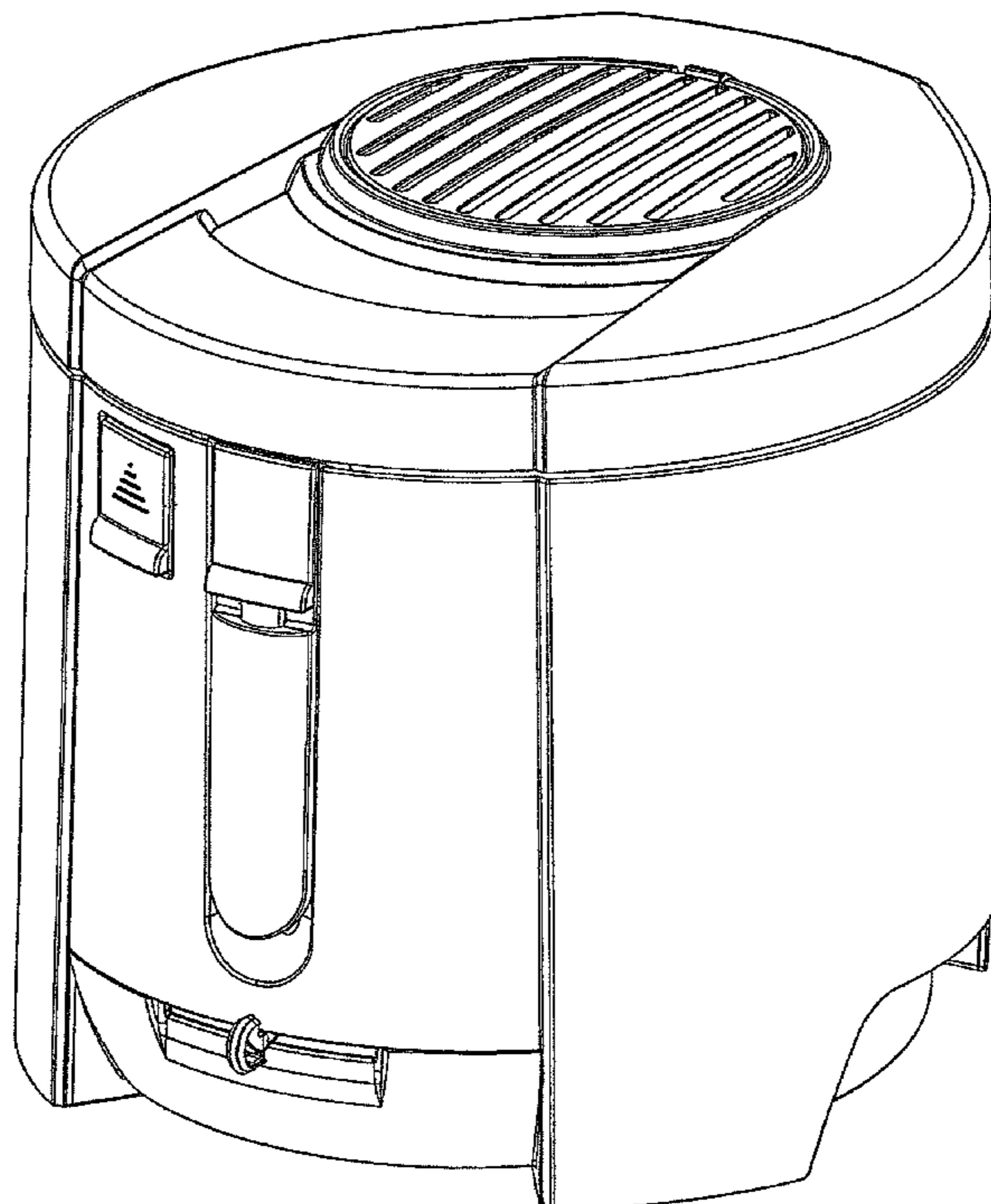
FIG. 4 is a right side view of the fryer;

FIG. 5 is a left side view of the fryer;

FIG. 6 is a top view of the fryer; and,

FIG. 7 is a bottom view of the fryer.

**1 Claim, 7 Drawing Sheets**



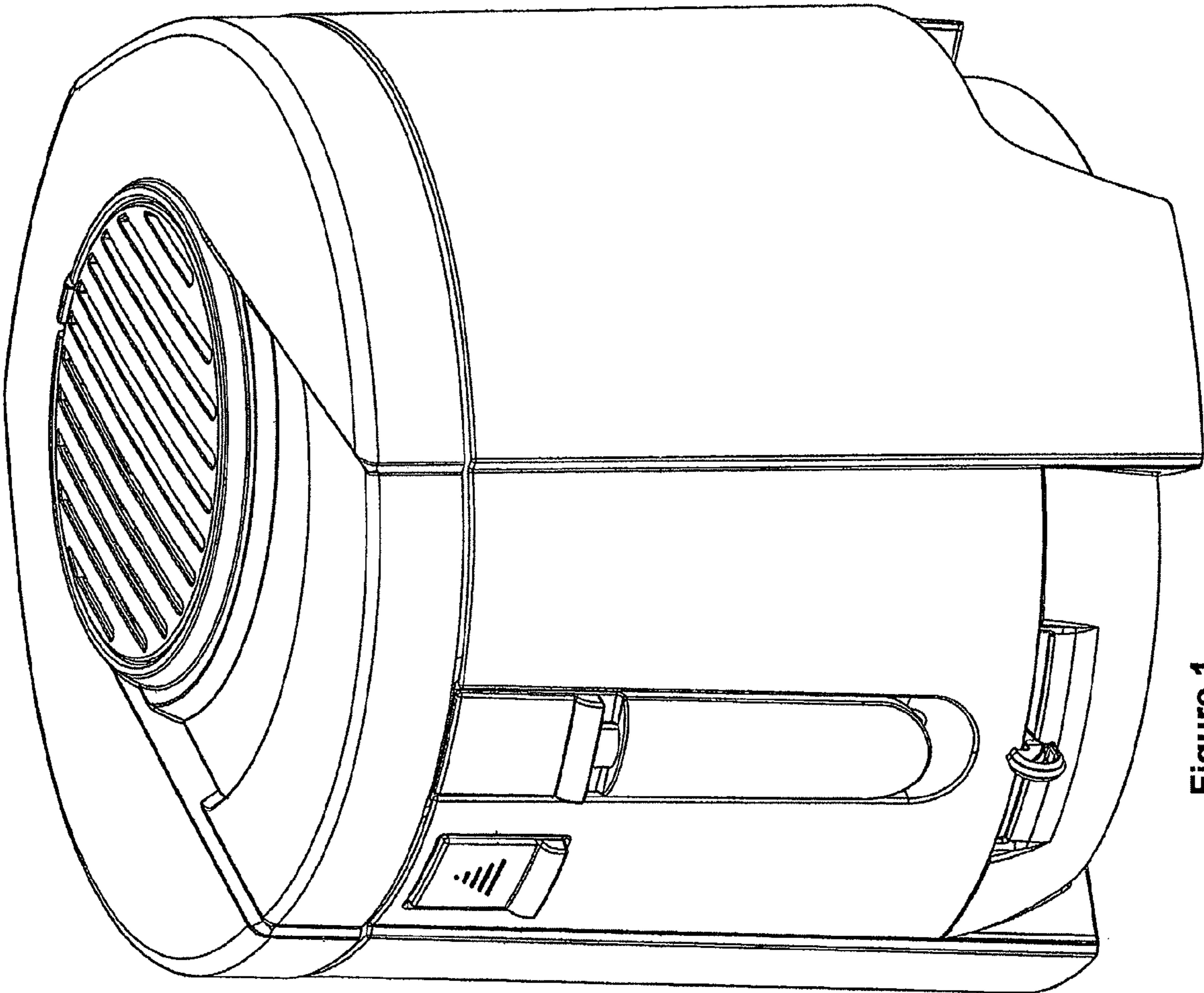


Figure 1

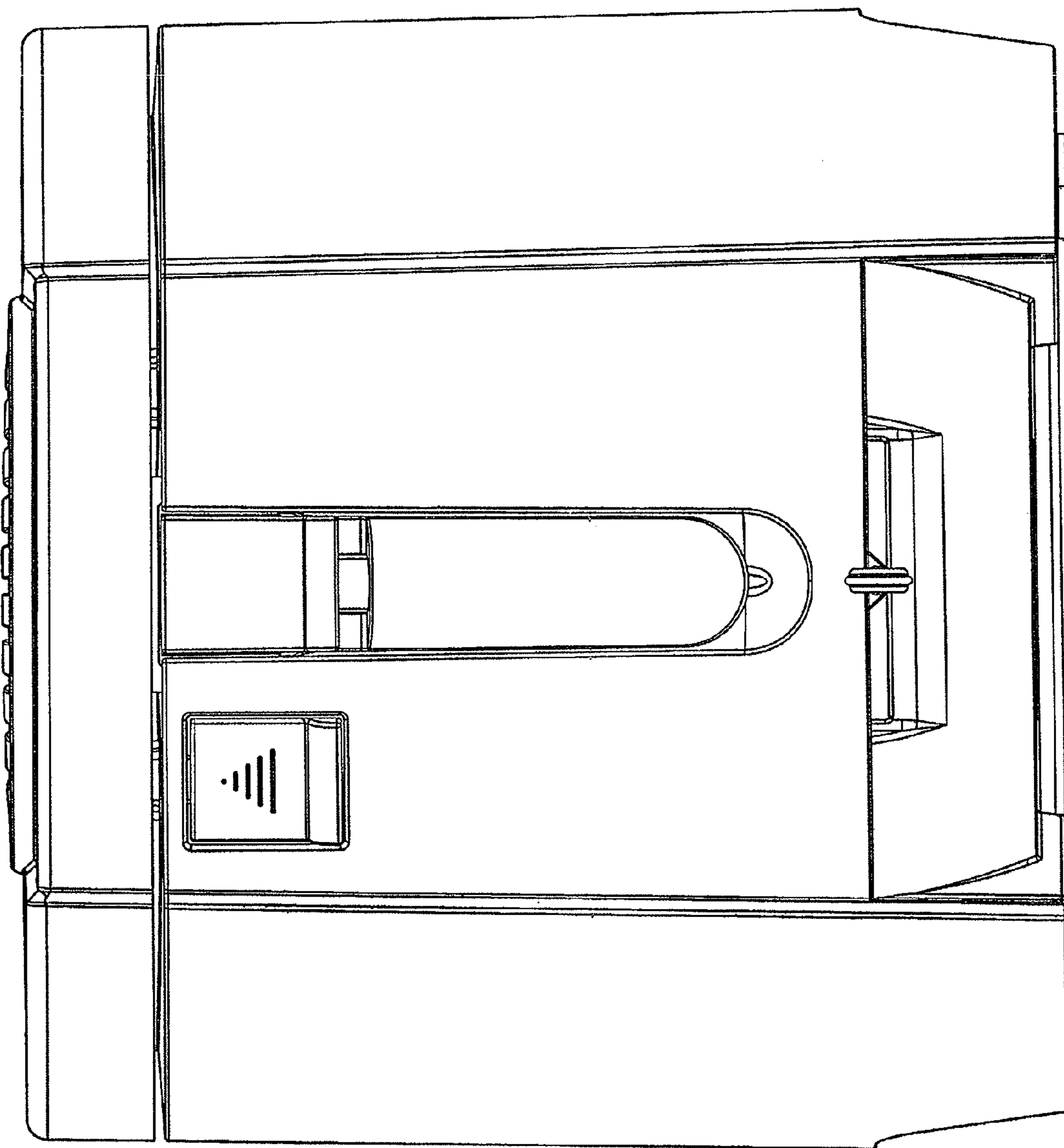


Figure 2

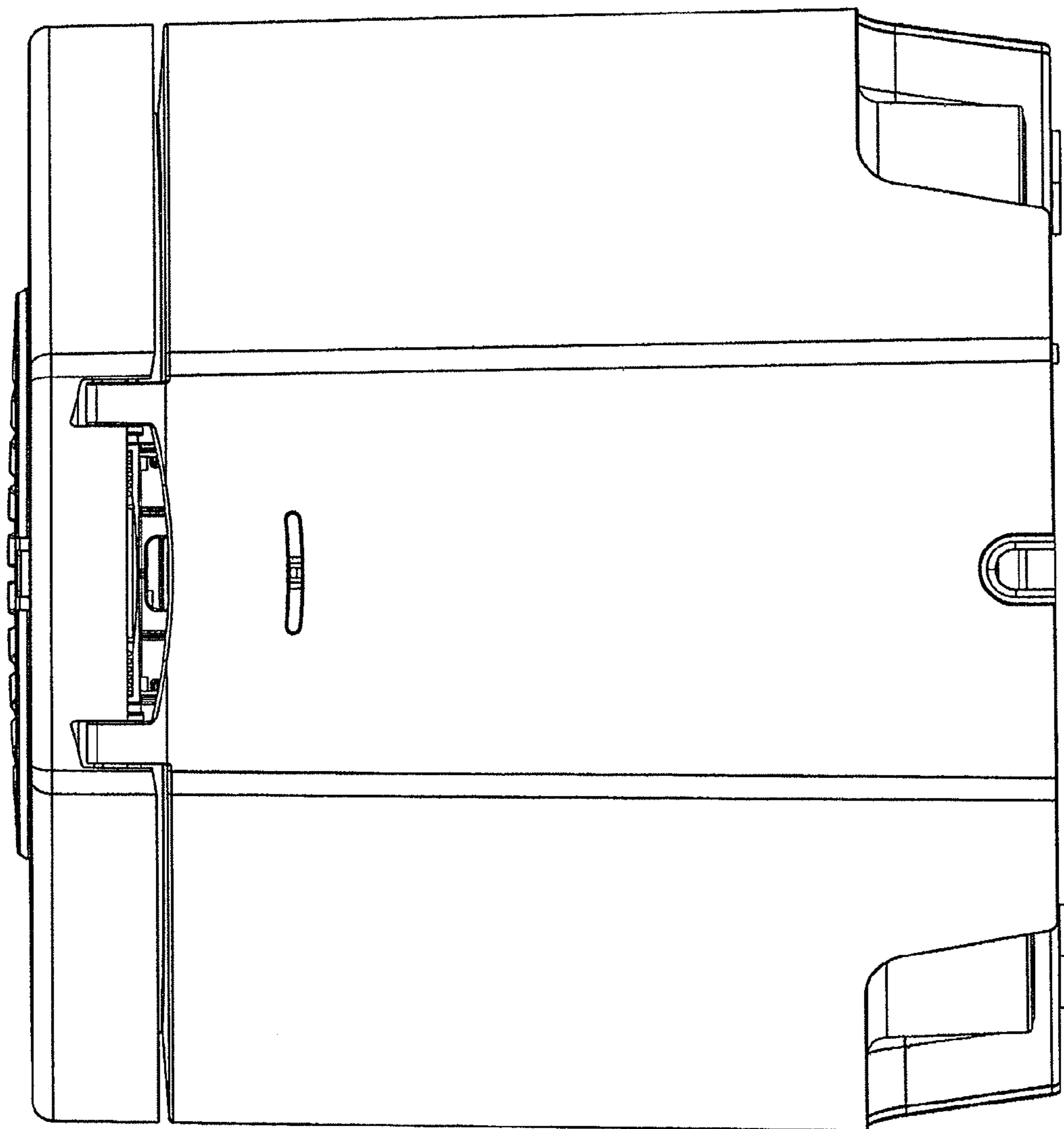


Figure 3

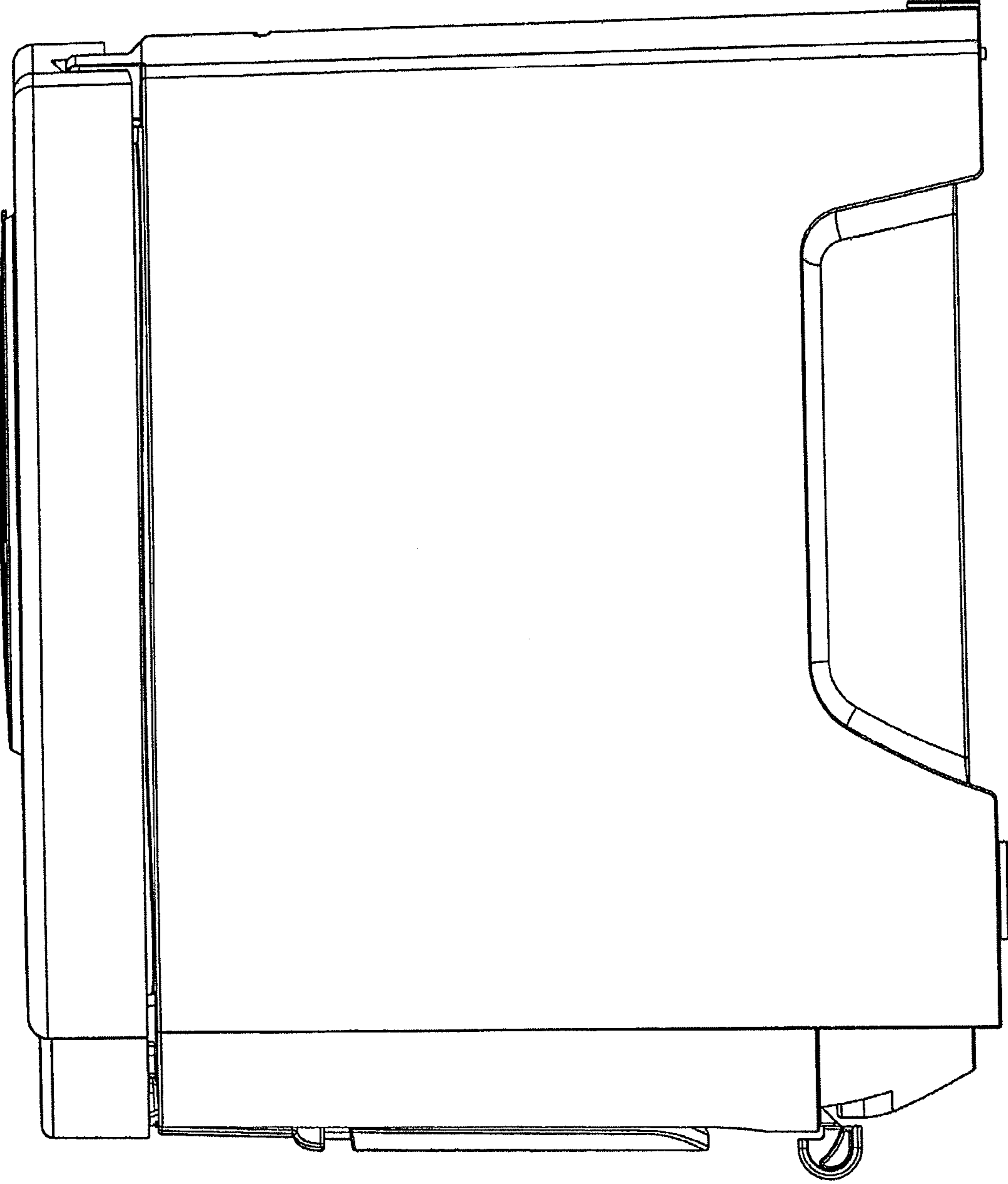


Figure 4



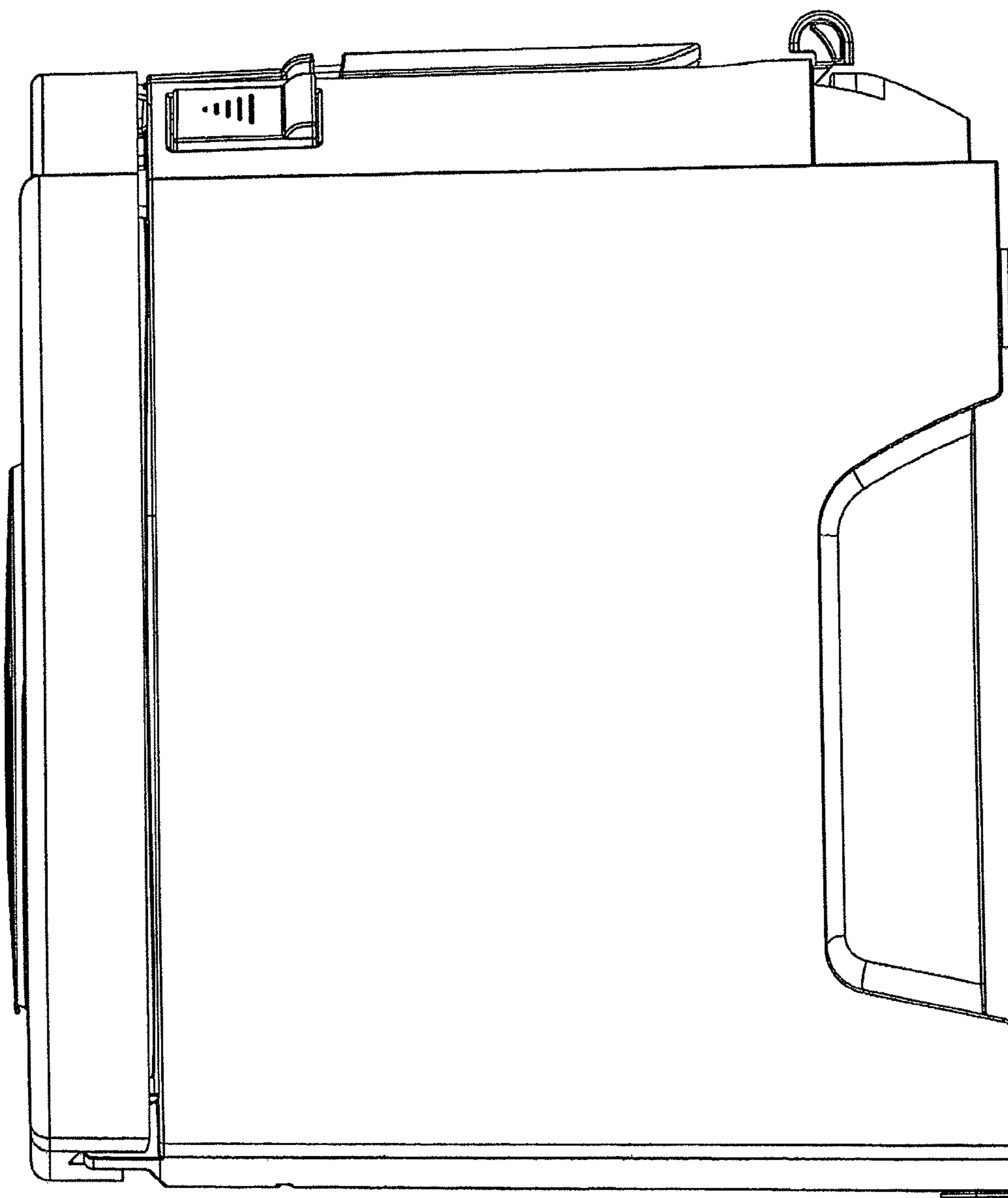


Figure 5

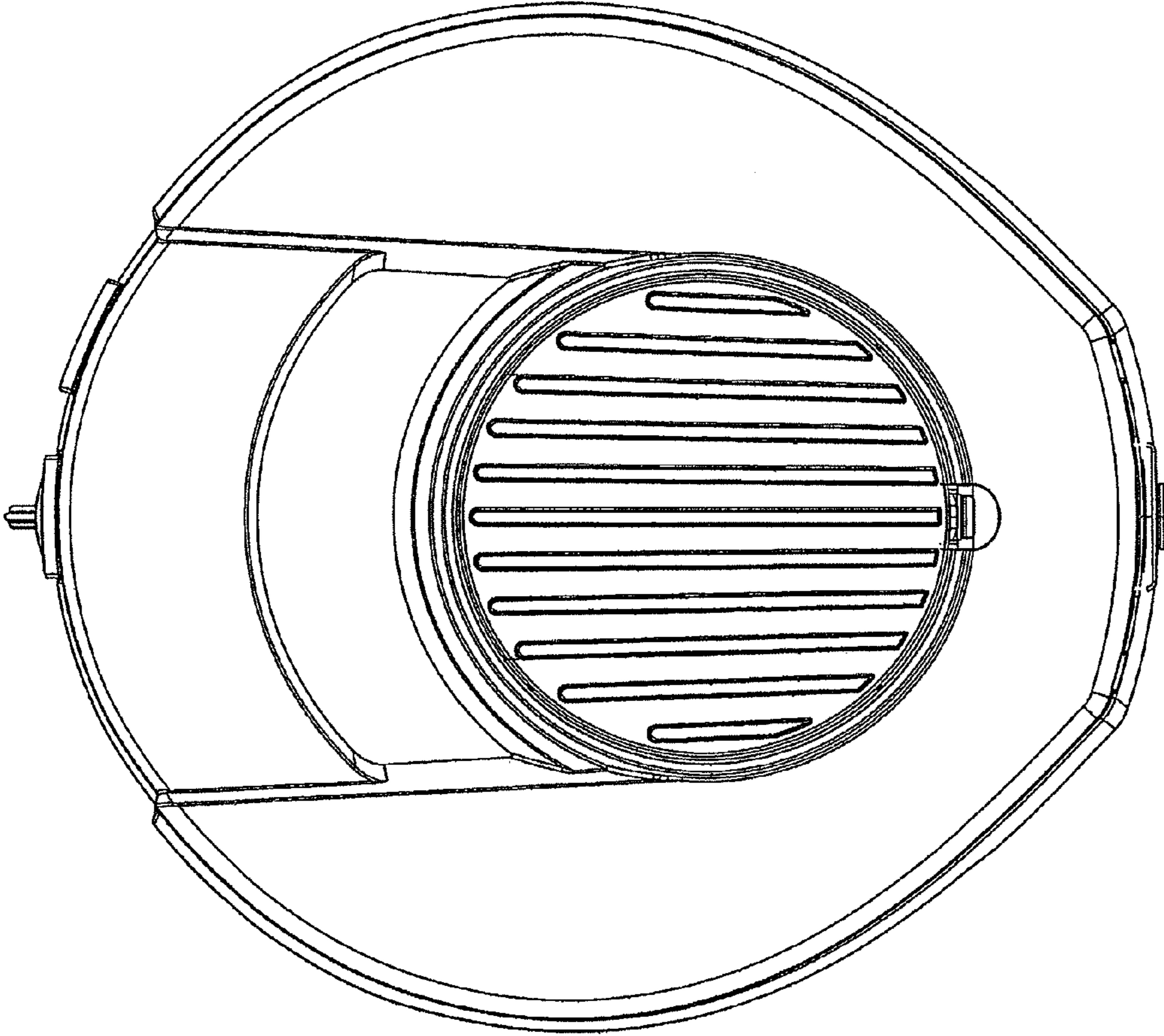


Figure 6

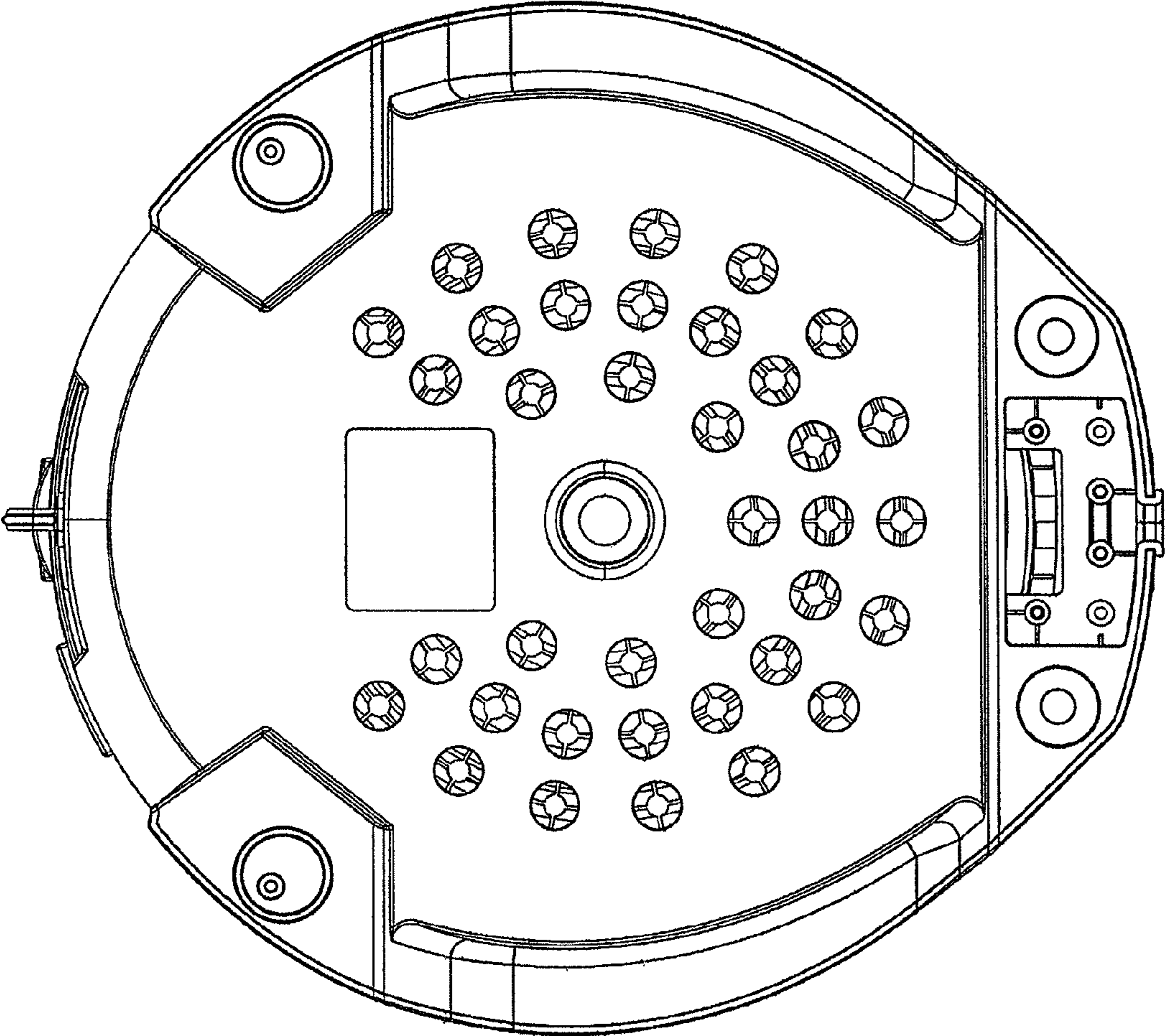


Figure 7