



US00D609959S

(12) **United States Design Patent**
Chen

(10) **Patent No.:** **US D609,959 S**

(45) **Date of Patent:** **** Feb. 16, 2010**

(54) **BARBECUE STOVE**

D580,210 S * 11/2008 Chen D7/337
D600,968 S * 9/2009 Chung D7/337

(75) Inventor: **Jan-Nan Chen**, Taichung (TW)

* cited by examiner

(73) Assignee: **Pro-Iroda Industries, Inc.**, Taichung (TW)

Primary Examiner—Ruth McInroy
(74) *Attorney, Agent, or Firm*—Alan Kamrath; Kamrath & Associates PA

(**) Term: **14 Years**

(21) Appl. No.: **29/330,314**

(57) **CLAIM**

(22) Filed: **Jan. 5, 2009**

The ornamental design for barbecue stove, as shown and described.

(51) **LOC (9) Cl.** **15-05**

(52) **U.S. Cl.** **D7/337**

(58) **Field of Classification Search** D7/402,
D7/403, 407, 409, 332, 337; 126/40, 43,
126/44, 50, 9 R, 25 A, 41 R; 99/445, 448,
99/450, 372

See application file for complete search history.

DESCRIPTION

(56) **References Cited**

U.S. PATENT DOCUMENTS

D464,843 S * 10/2002 Schulte et al. D7/337
D468,151 S * 1/2003 Yeh et al. D7/337
D478,772 S * 8/2003 Chung D7/337
D515,863 S * 2/2006 Chung D7/337

FIG. 1 is a perspective view of a barbecue stove showing my new design;

FIG. 2 is a front view thereof;

FIG. 3 is a rear view thereof;

FIG. 4 is a left view thereof;

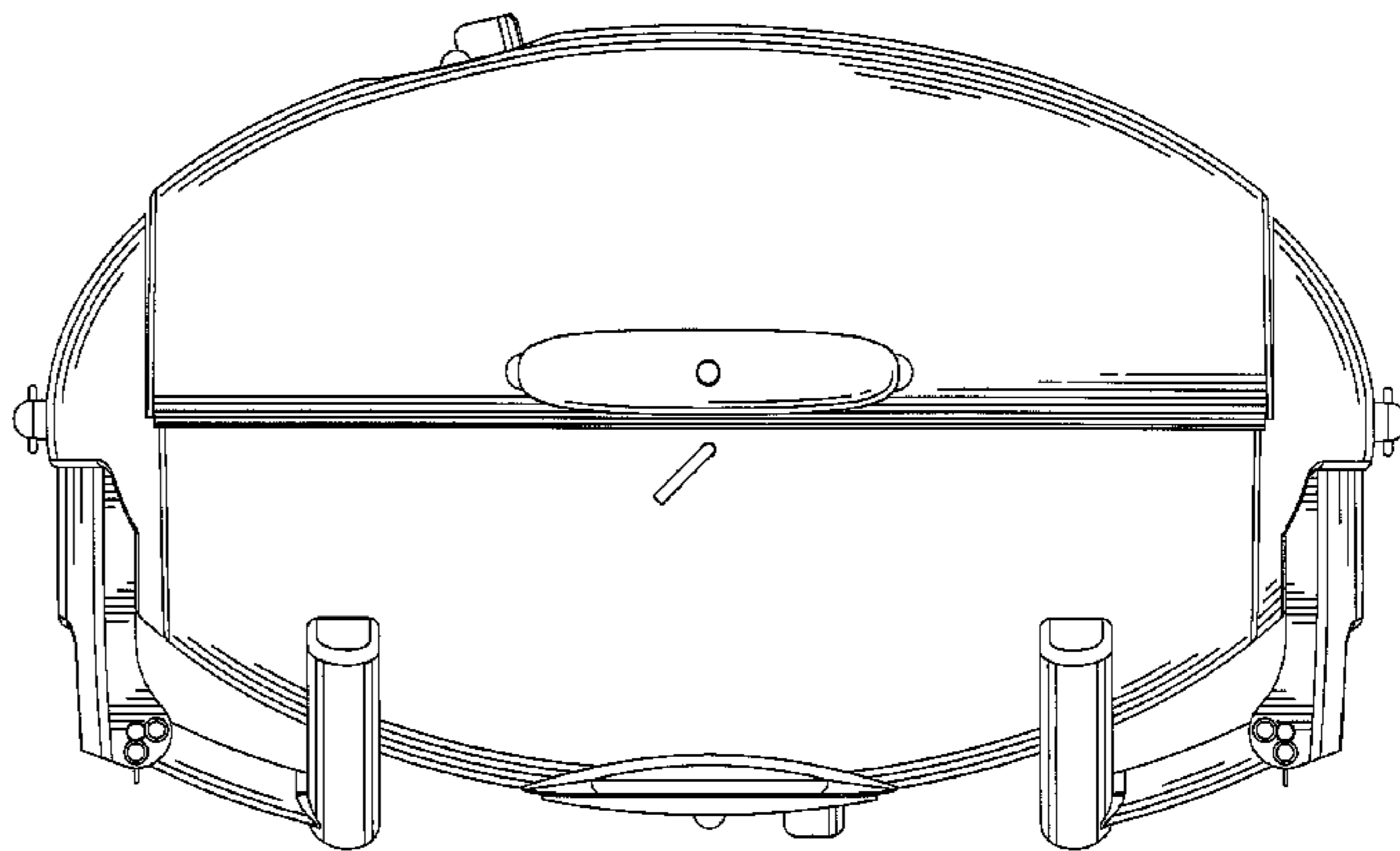
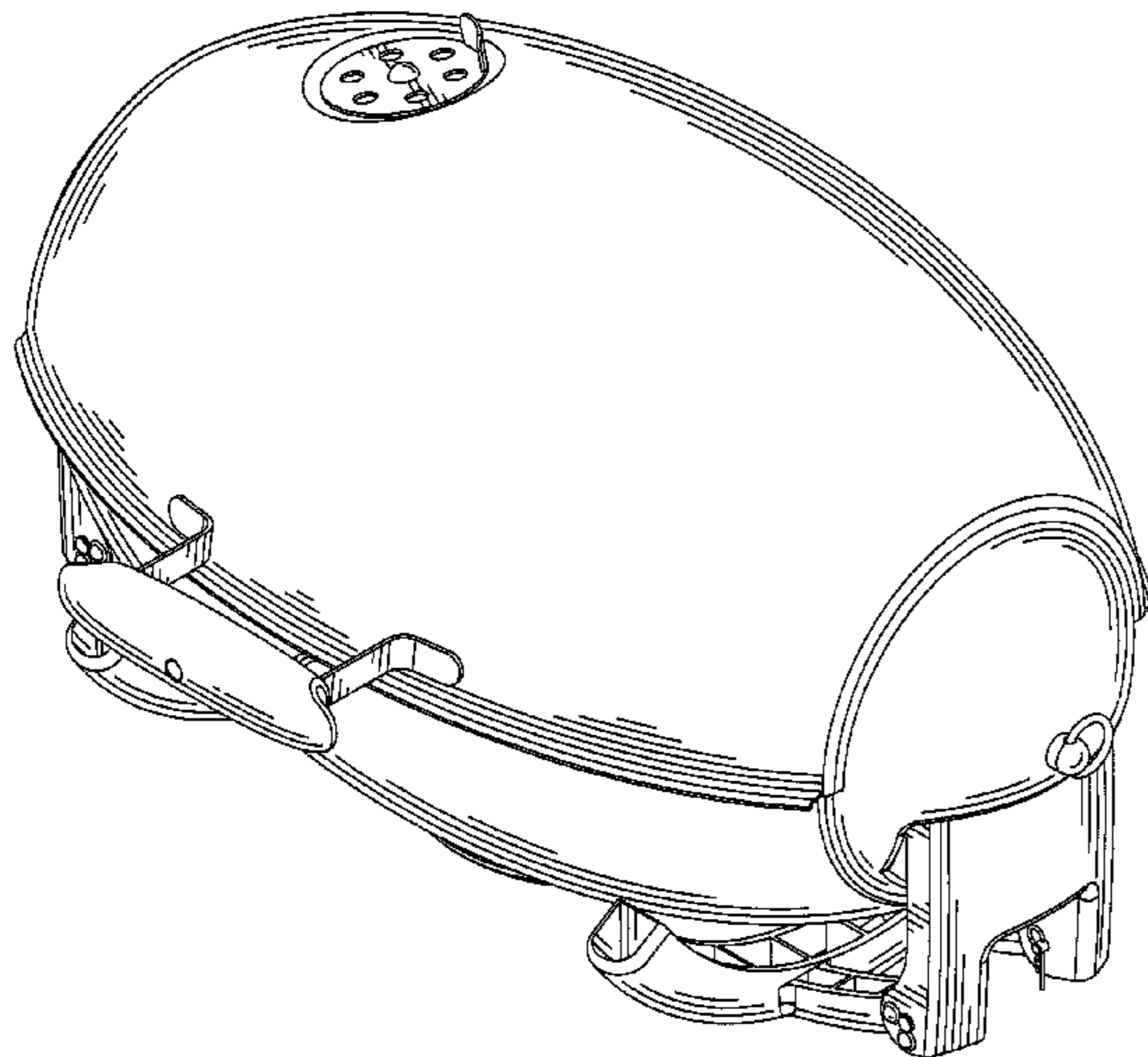
FIG. 5 is a right view thereof;

FIG. 6 is a top view thereof;

FIG. 7 is a bottom view thereof; and,

FIG. 8 is the perspective view of barbecue stove in use.

1 Claim, 8 Drawing Sheets



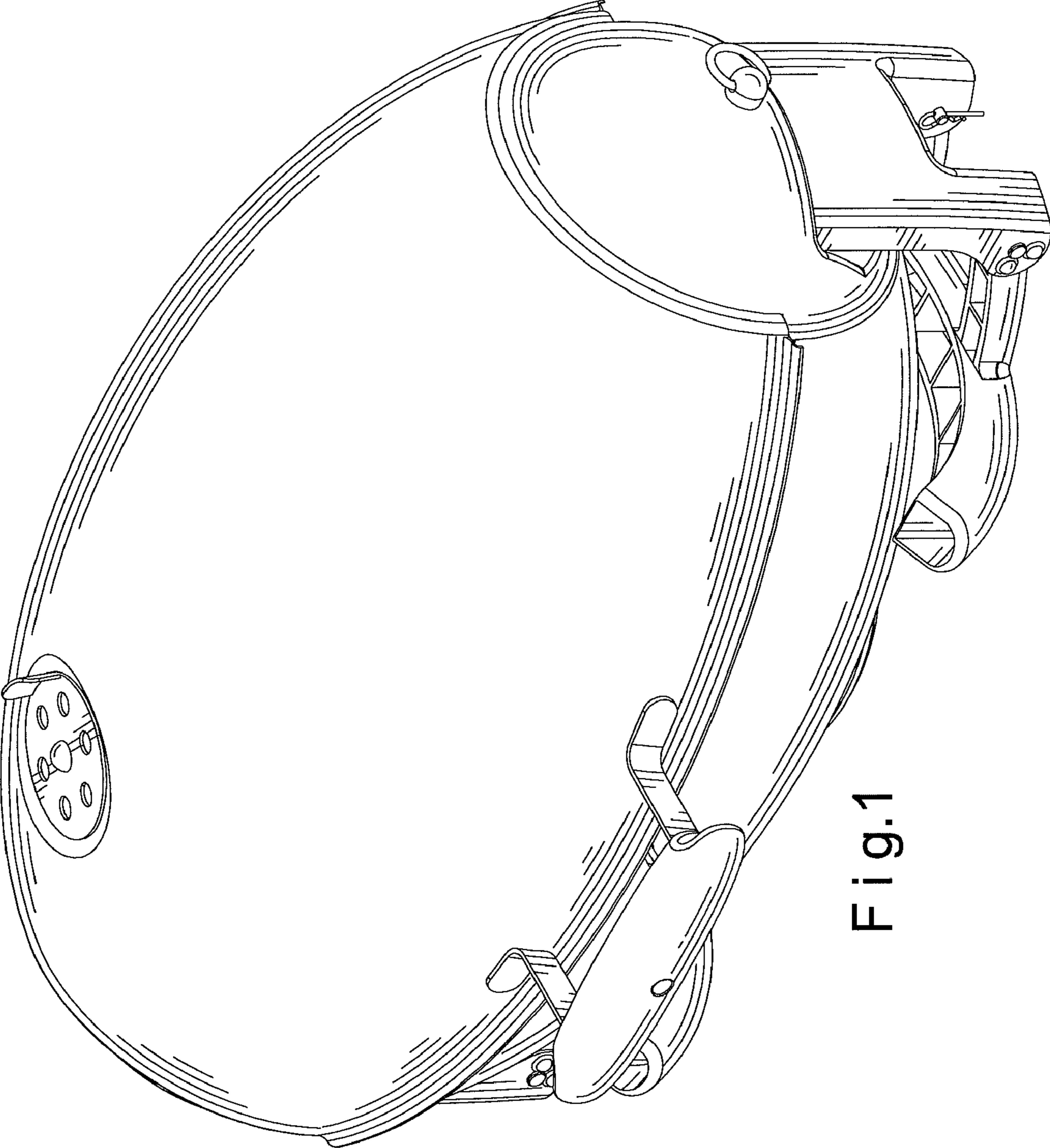


Fig.1

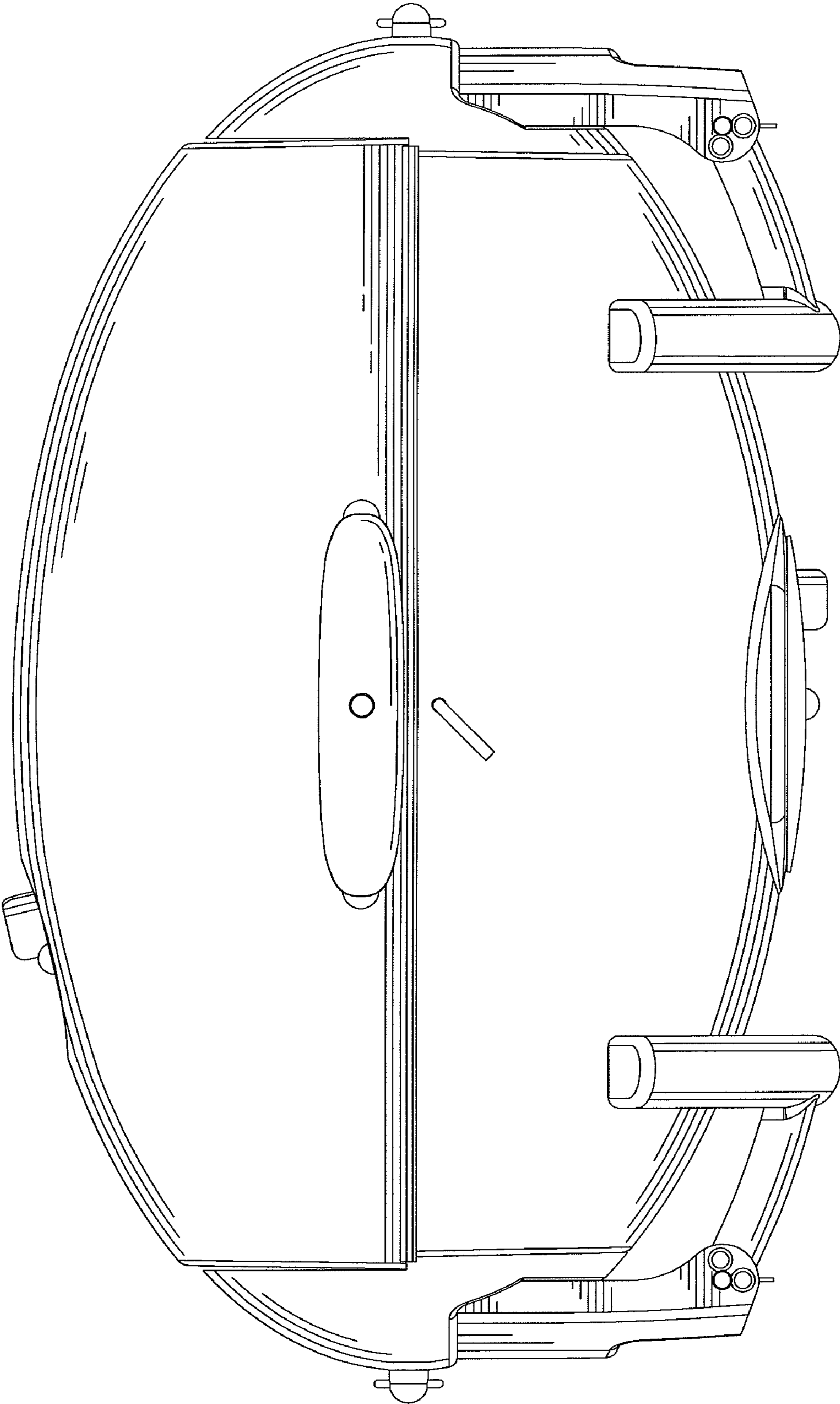


Fig.2

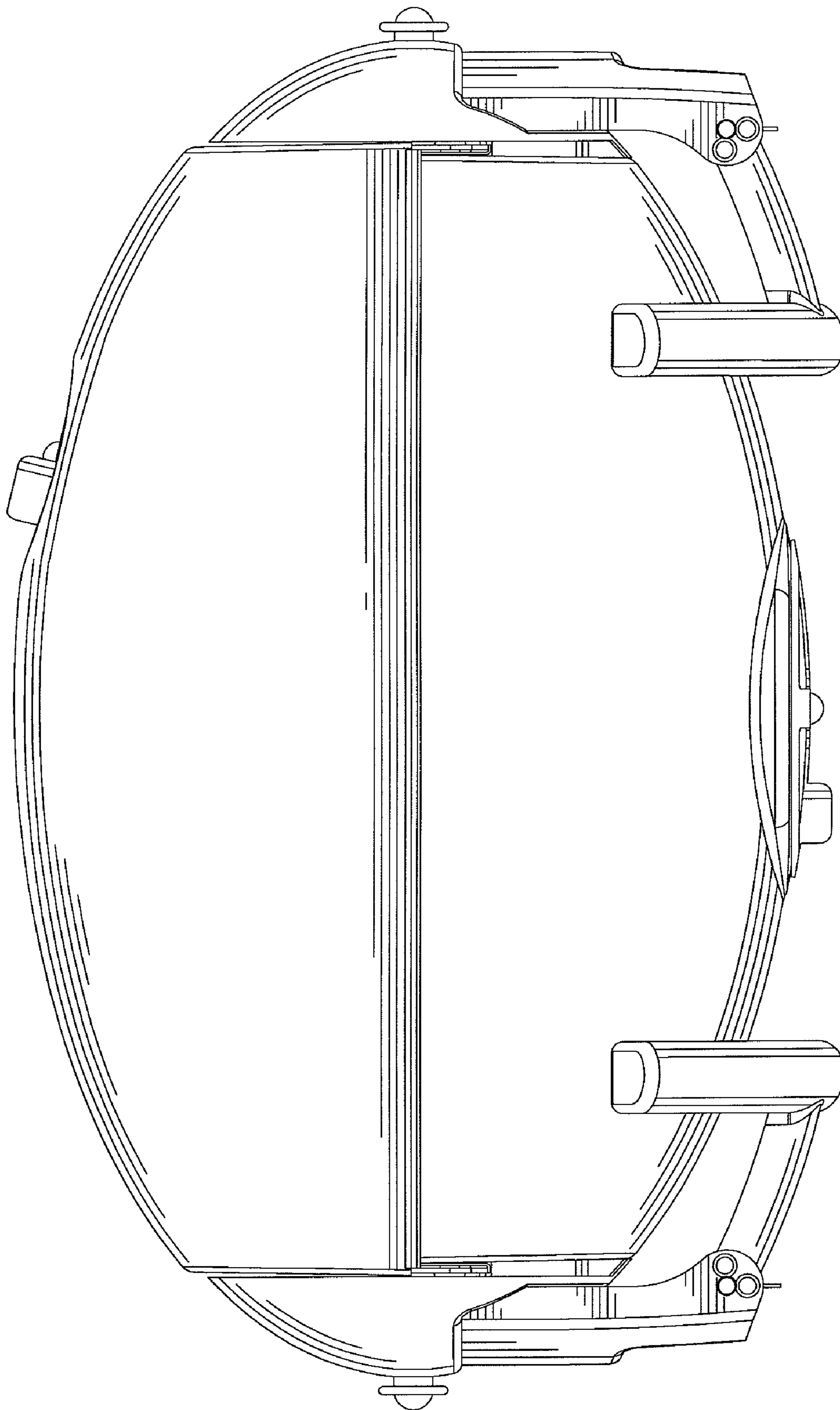
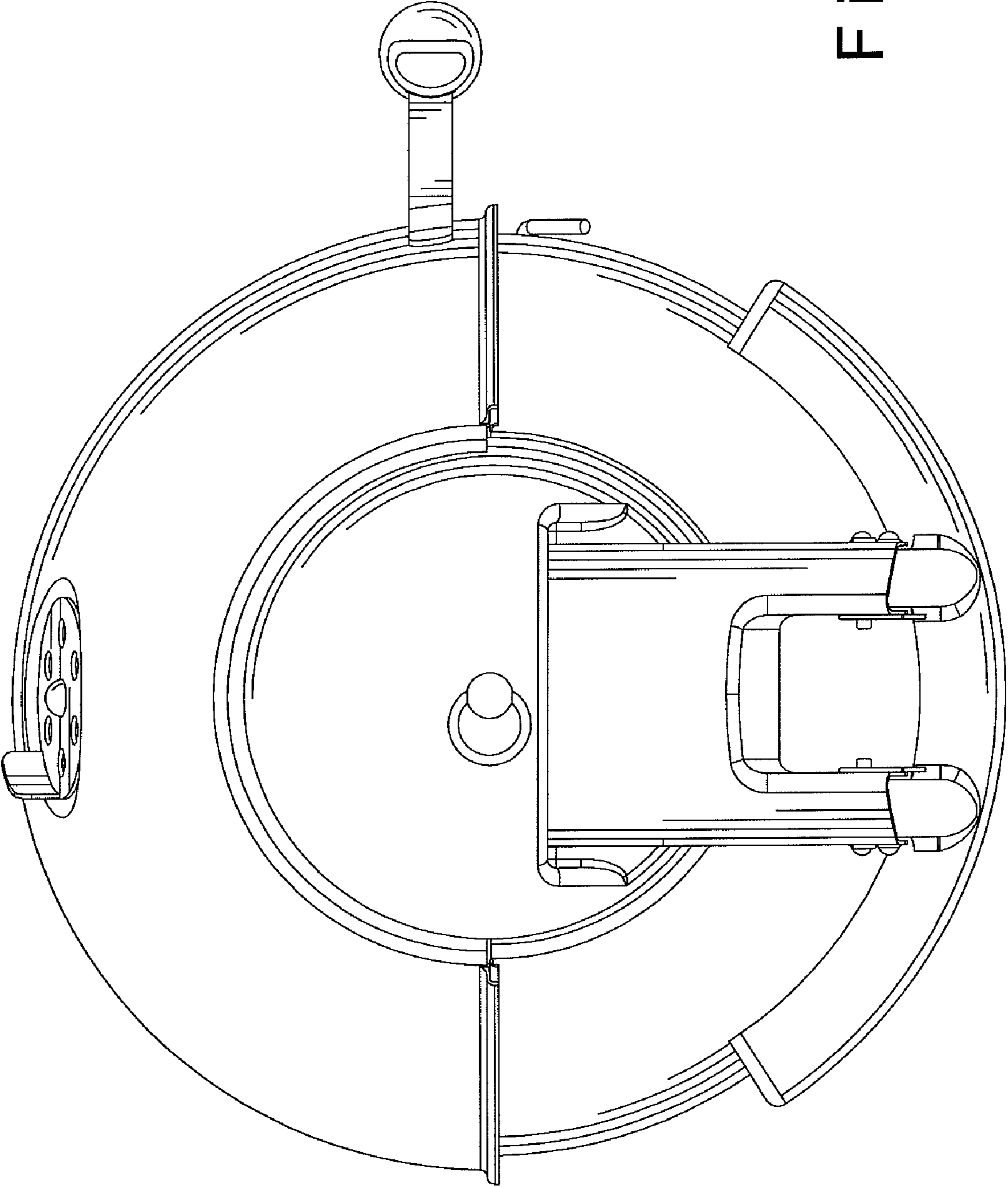


Fig.3

Fig.4



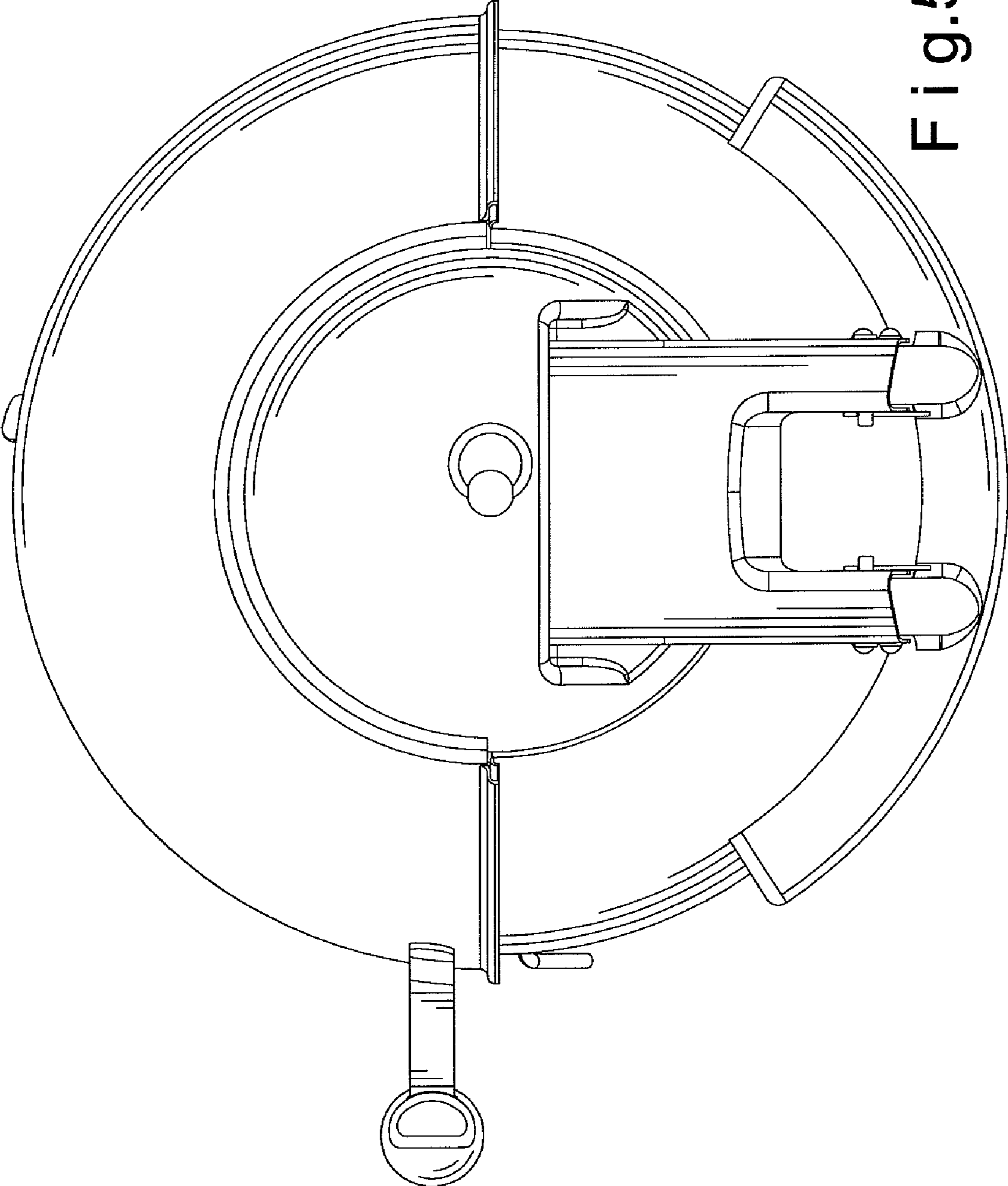


Fig.5

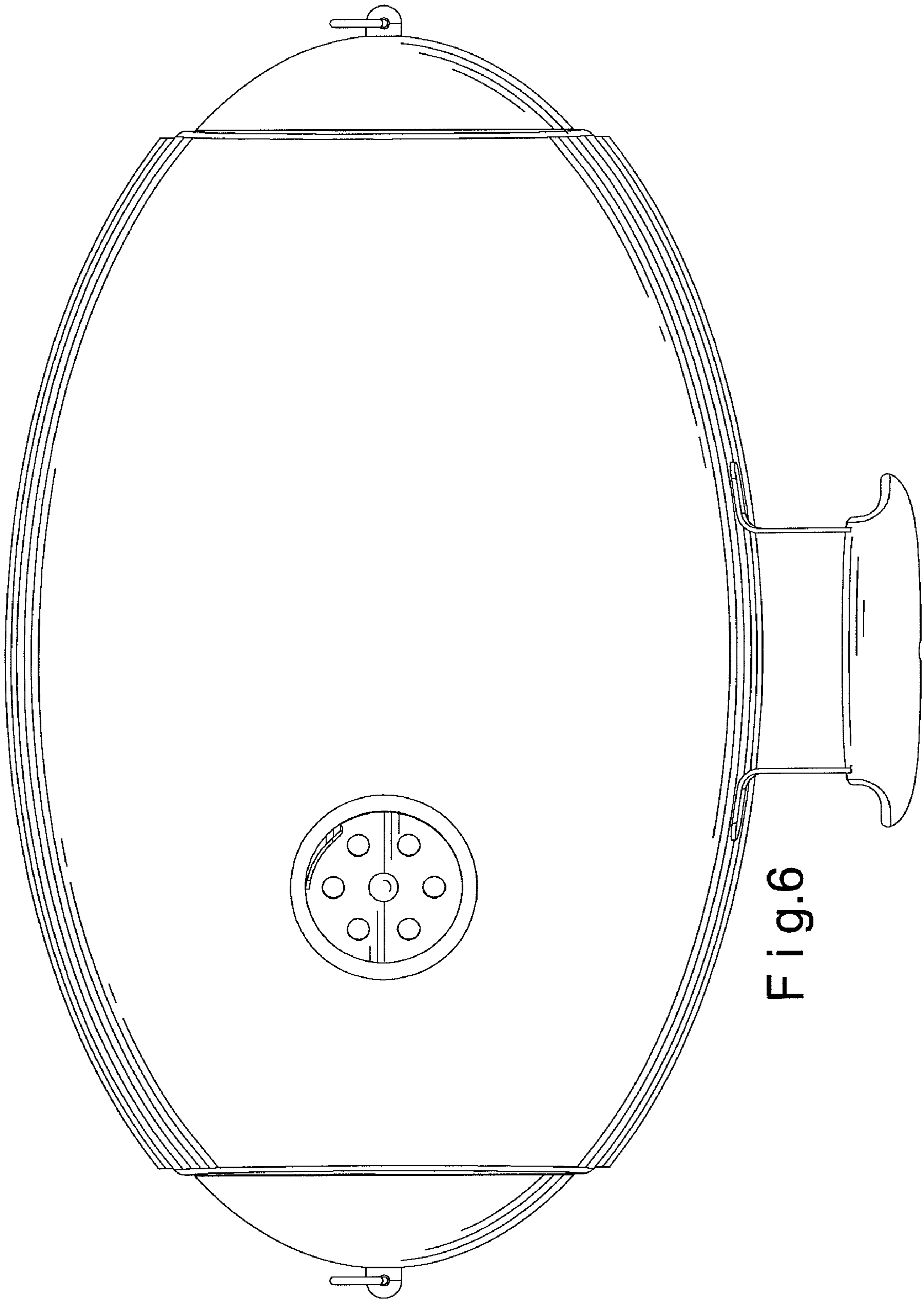


Fig.6

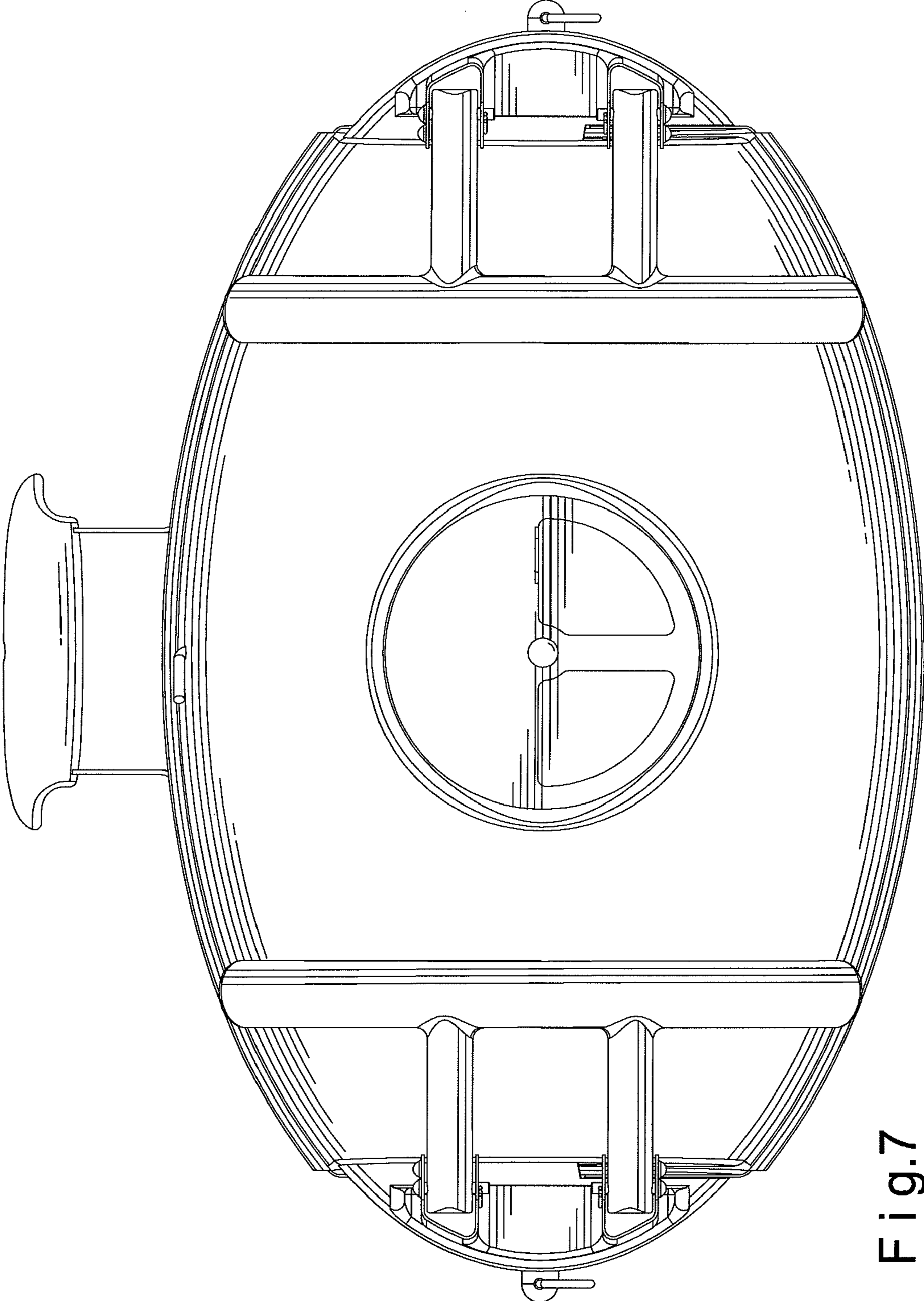


Fig.7

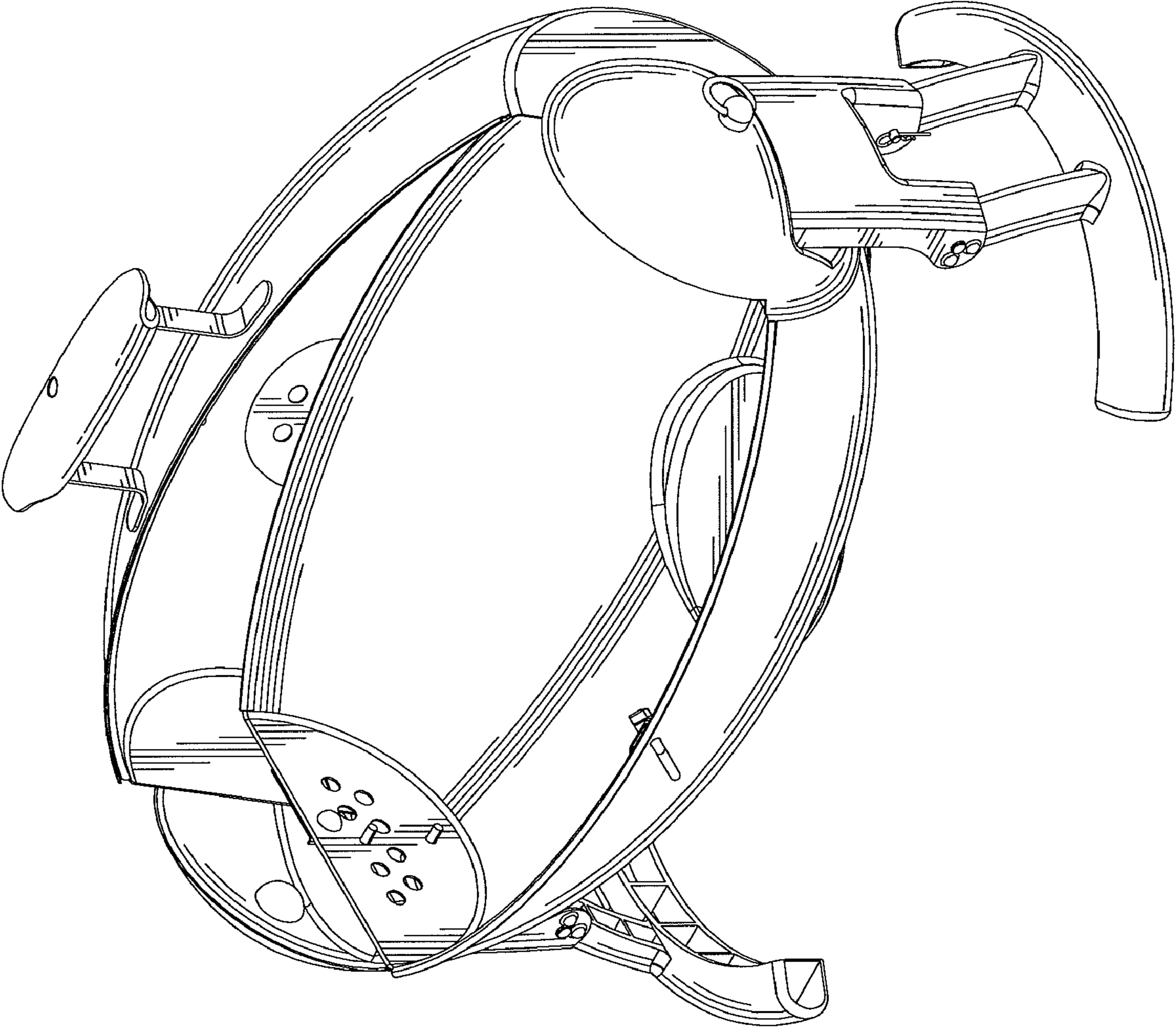


Fig.8