



US00D609958S

(12) **United States Design Patent**
Chung et al.

(10) **Patent No.:** **US D609,958 S**

(45) **Date of Patent:** **** Feb. 16, 2010**

(54) **CONVEYOR TOASTER**

(75) Inventors: **Terry Tae-II Chung**, Bartlett, IL (US);
Brian Hee-Eun Lee, West Chicago, IL (US)

(73) Assignee: **Prince Castle, Inc.**, Carol Stream, IL (US)

(**) Term: **14 Years**

(21) Appl. No.: **29/335,834**

(22) Filed: **Apr. 22, 2009**

(51) **LOC (9) Cl.** **07-02**

(52) **U.S. Cl.** **D7/330**

(58) **Field of Classification Search** D7/323,
D7/328-333, 340-341, 346, 354-365, 367,
D7/385, 390, 402, 405-411; 83/762; 99/326,
99/331-332, 327, 329 R, 357, 375, 385-386,
99/392; 219/214, 388, 392, 405, 443.1, 450.1,
219/492, 532; 426/233, 523

See application file for complete search history.

(56) **References Cited**

U.S. PATENT DOCUMENTS

3,452,670	A *	7/1969	Huck et al.	99/329 R
D265,044	S *	6/1982	Hanson et al.	D7/330
4,345,513	A *	8/1982	Holt	99/327
D270,223	S *	8/1983	Miyake et al.	D7/330
D297,391	S *	8/1988	Ansel	D7/330
D315,273	S *	3/1991	Myerly et al.	D7/330

D319,945	S *	9/1991	Gebhardt	D7/330
D322,536	S *	12/1991	Behringer	D7/330
D326,028	S *	5/1992	Balandier	D7/330
D328,685	S *	8/1992	Wolfe	D7/330
D329,161	S *	9/1992	Eisenberg	D7/330
5,690,013	A *	11/1997	Kanarek et al.	83/762
5,705,791	A *	1/1998	Sutton et al.	219/492

* cited by examiner

Primary Examiner—Caron Veynar
Assistant Examiner—Ricky Pham

(57) **CLAIM**

The ornamental design for a conveyor toaster, as shown and described.

DESCRIPTION

FIG. 1 is a perspective view of a conveyor toaster, showing our new design;

FIG. 2 is a front view thereof;

FIG. 3 is a side view thereof;

FIG. 4 is a rear view thereof;

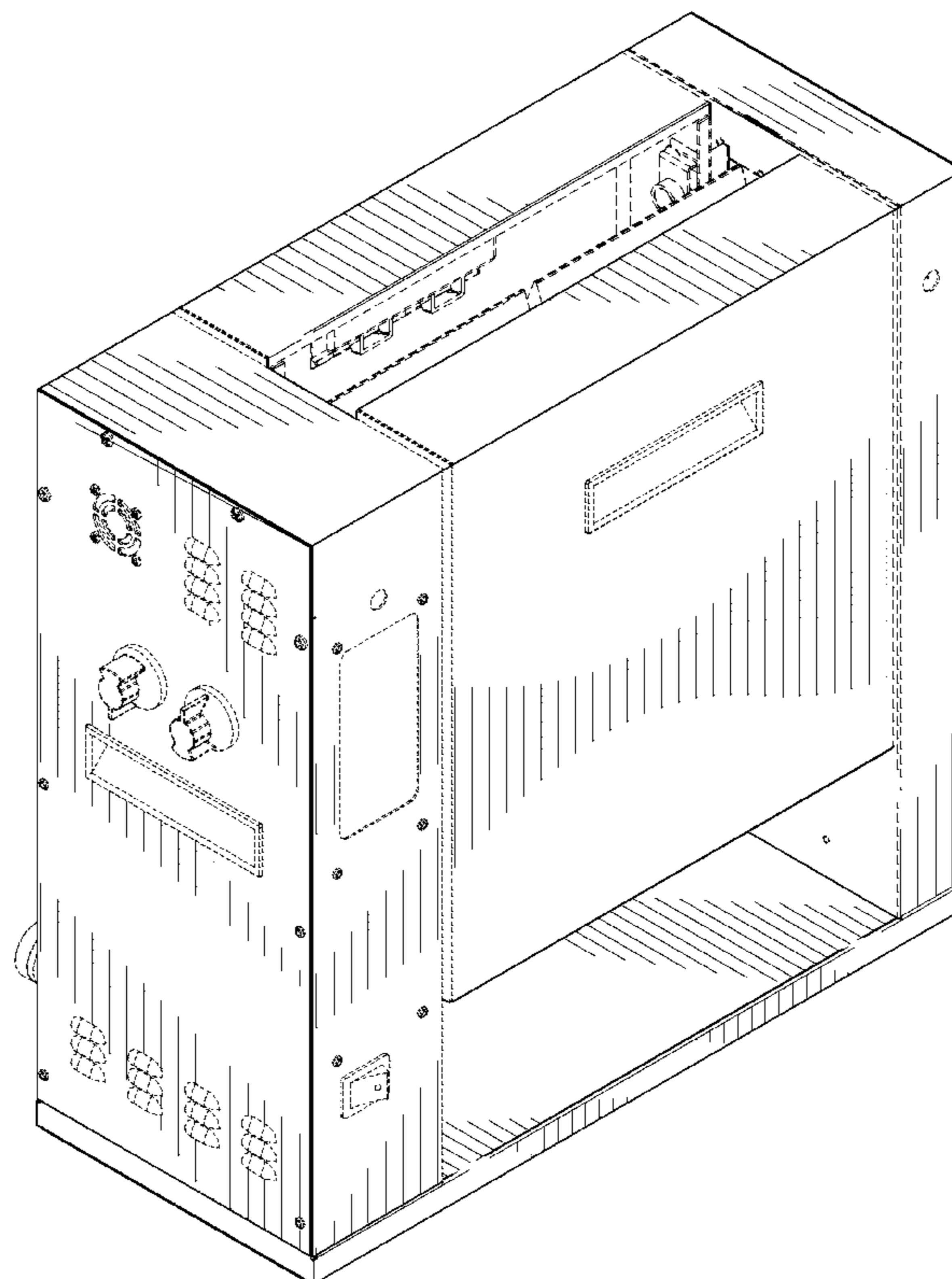
FIG. 5 is a side view thereof;

FIG. 6 is a top view thereof; and,

FIG. 7 is a bottom view thereof.

The broken lines represent unclaimed boundaries of the design. The vertical shading lines are for illustrative purposes only and form no part of the claimed design.

1 Claim, 4 Drawing Sheets



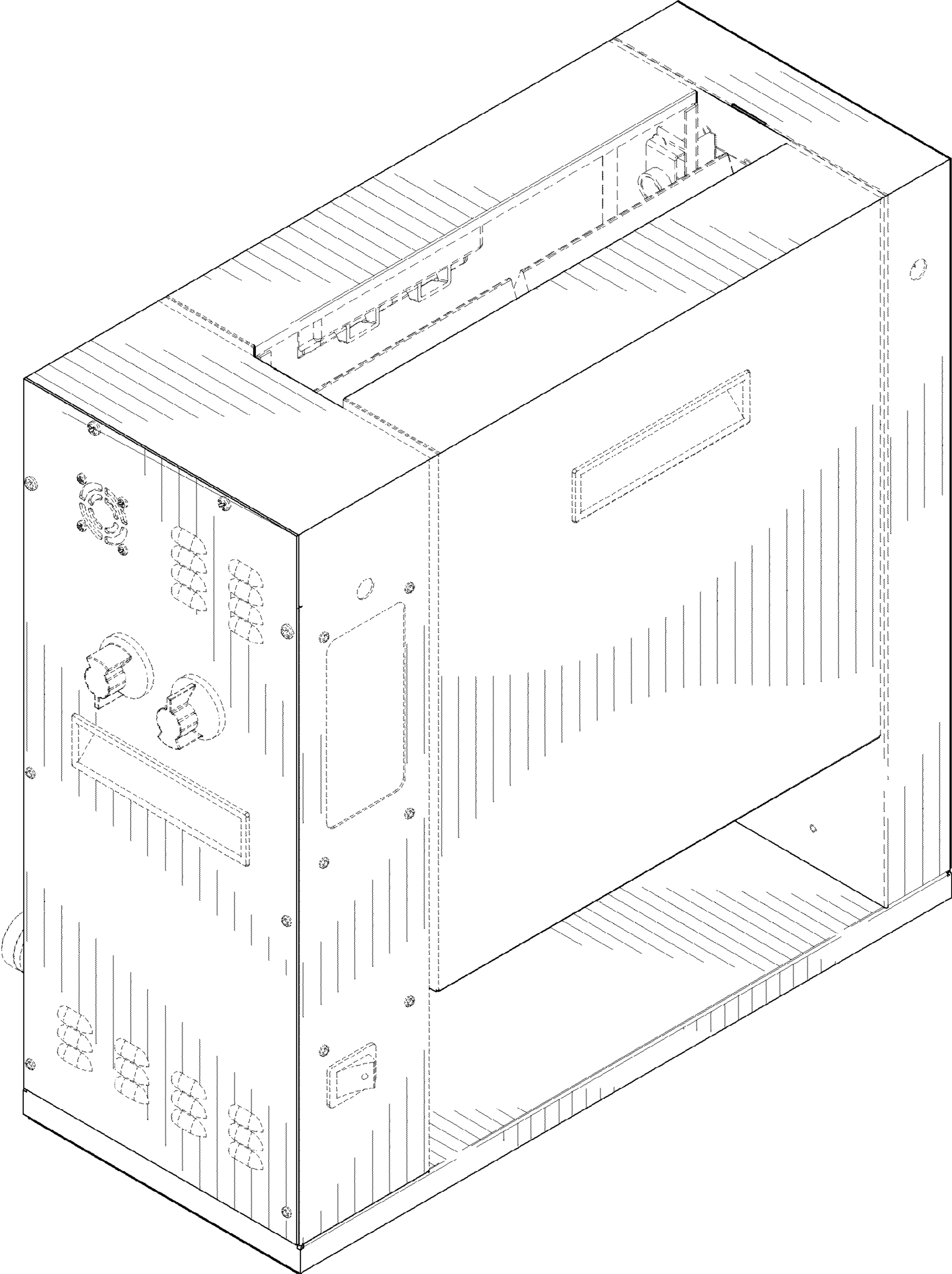


FIG. 1

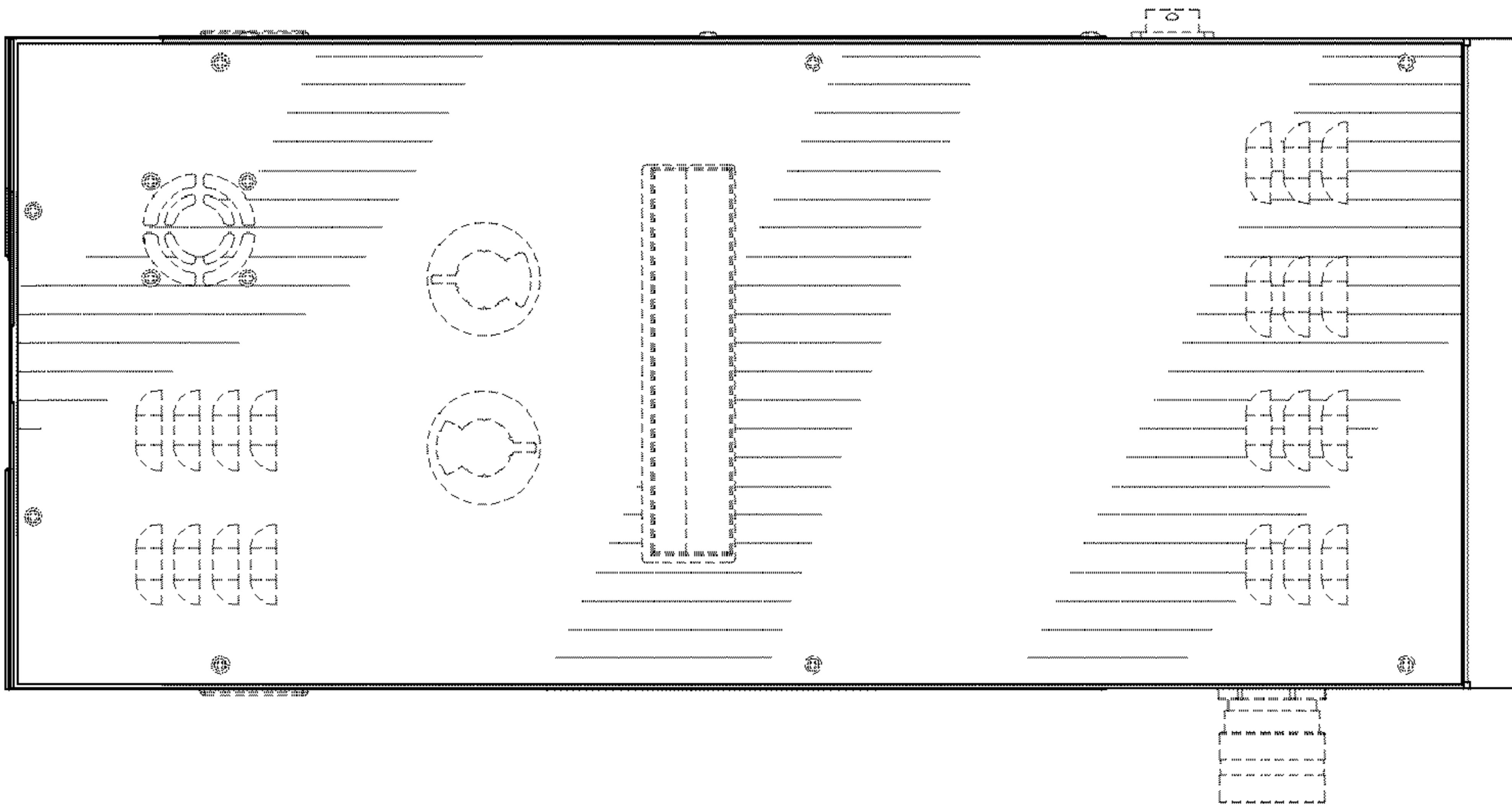


FIG. 3

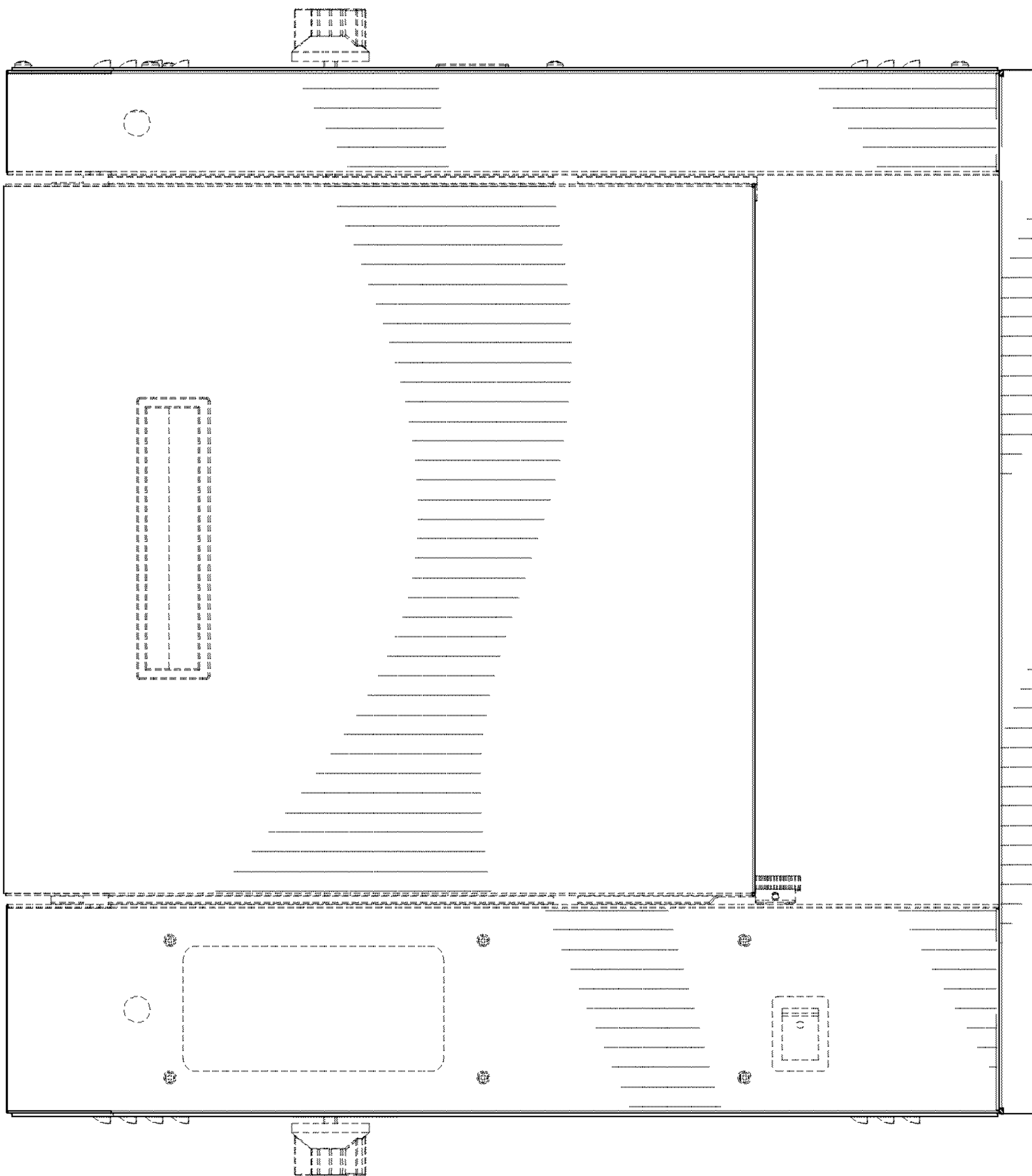


FIG. 2

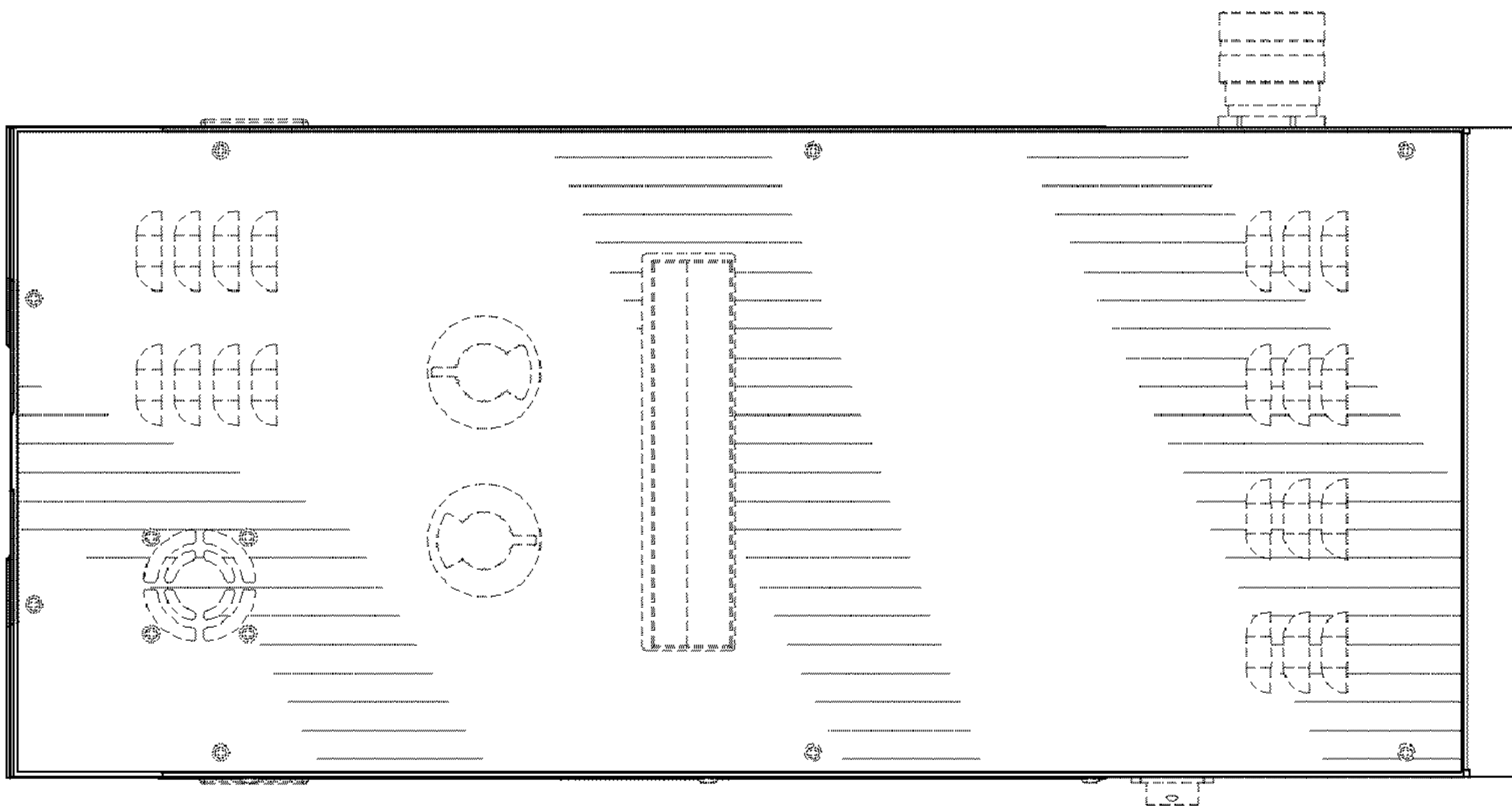


FIG. 5

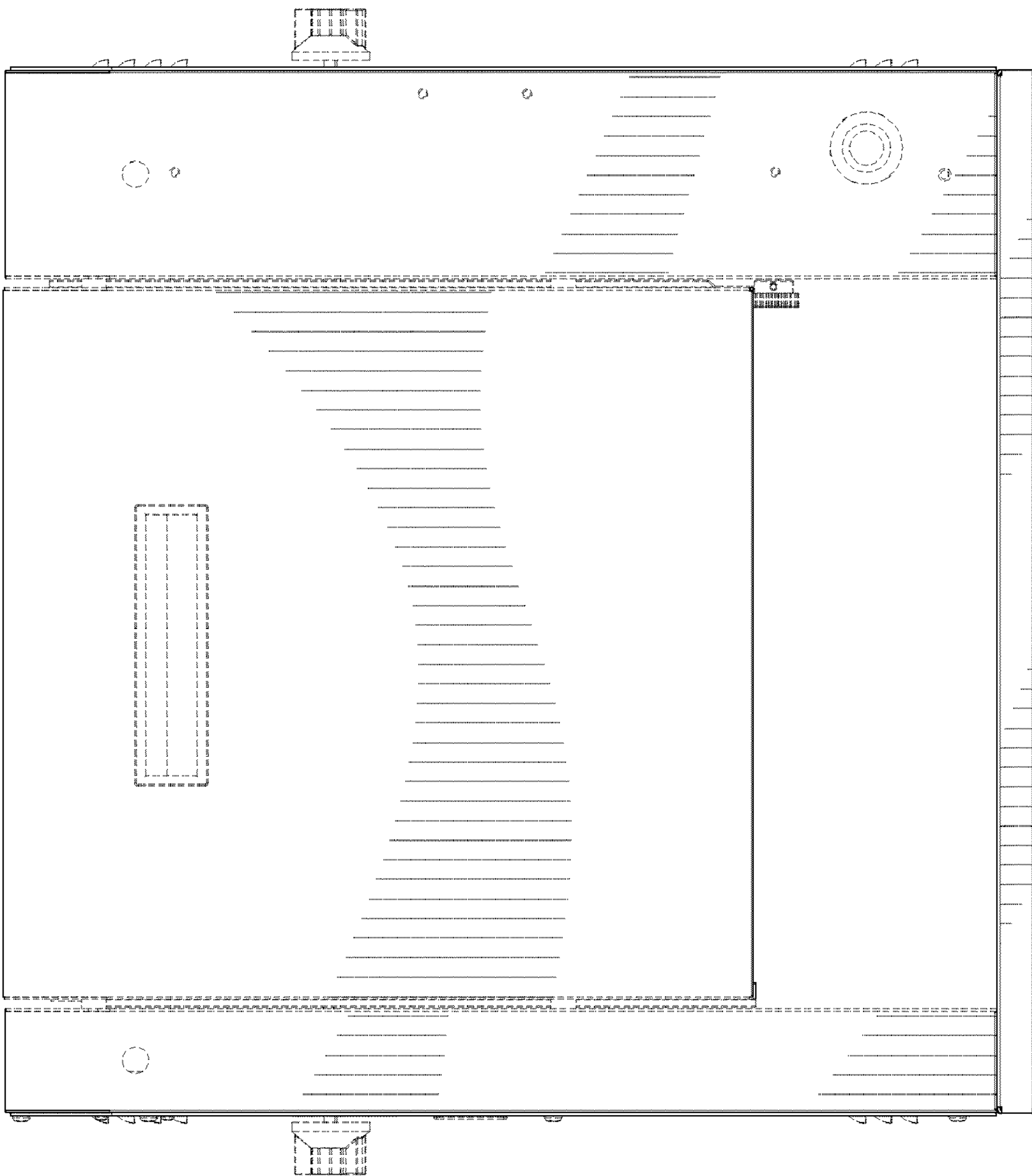


FIG. 4

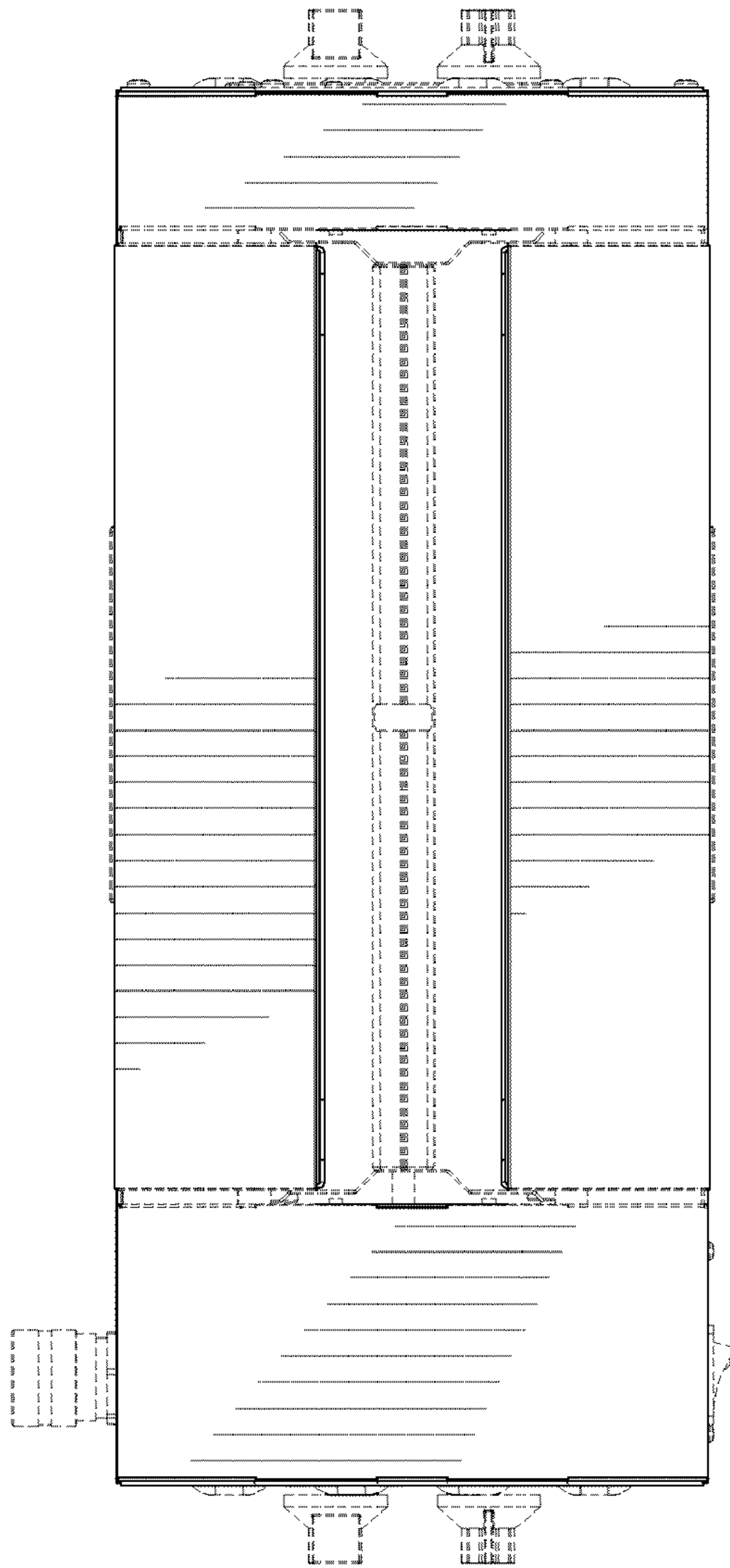


FIG. 6

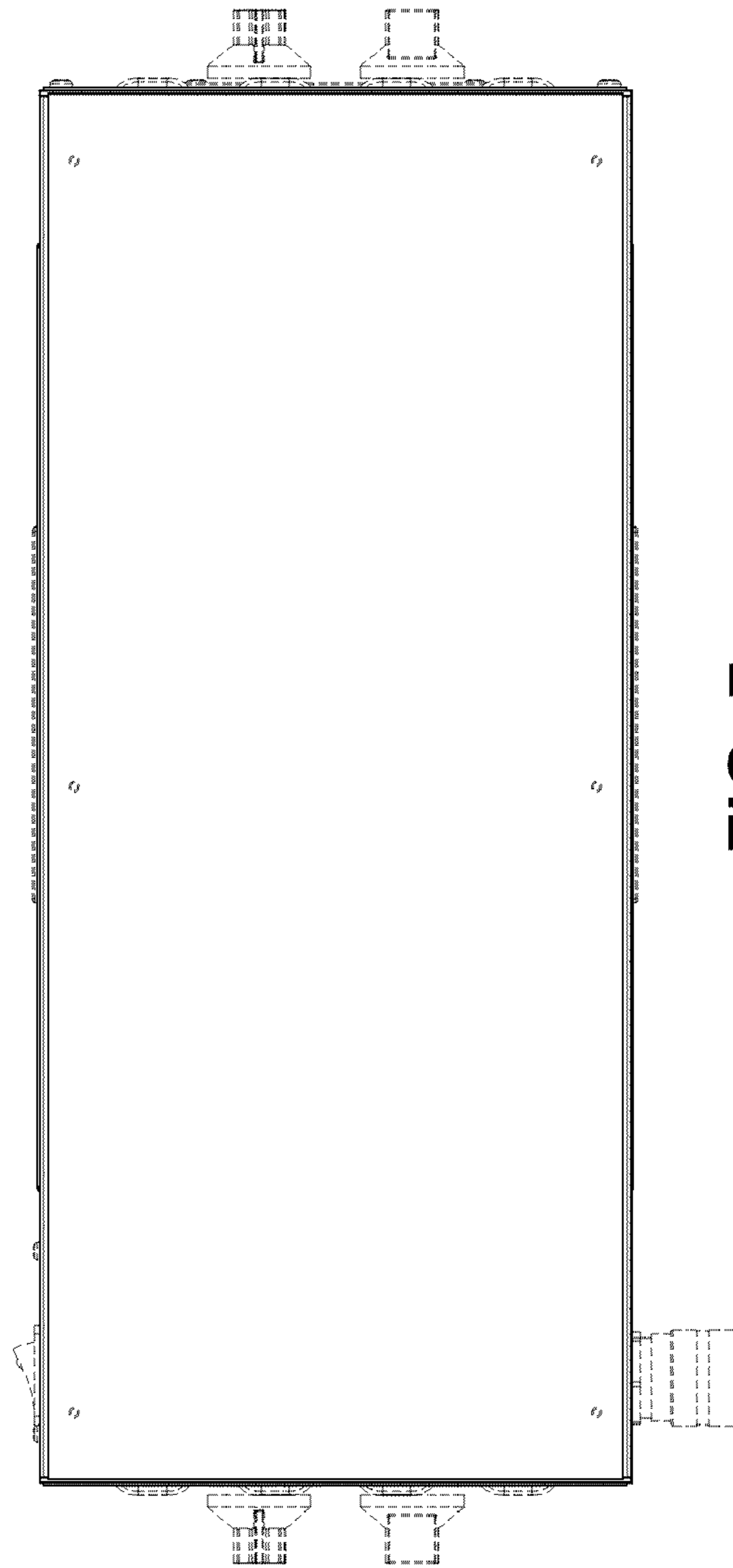


FIG. 7