



US00D609954S

(12) **United States Design Patent**
Barkdoll et al.

(10) **Patent No.:** **US D609,954 S**
(45) **Date of Patent:** **** Feb. 16, 2010**

(54) **PEGBOARD ADAPTER WITH CORNER CLEARANCE AND ADJUSTMENT RIB**

(75) Inventors: **Patrick J. Barkdoll**, Pecatonica, IL (US); **Nicholas C. Juric**, Winnebago, IL (US)

(73) Assignee: **Southern Imperial, Inc.**, Rockford, IL (US)

(**) Term: **14 Years**

(21) Appl. No.: **29/338,036**

(22) Filed: **Jun. 3, 2009**

(51) **LOC (9) Cl.** **06-04**

(52) **U.S. Cl.** **D6/567**

(58) **Field of Classification Search** D6/553,
D6/512-514, 567, 572, 569; D8/367, 372;
211/13.1, 70.6, 70.7, 32, 35, 85.9, 54.1, 59.1,
211/66, 86.01, 56; 248/200, 205.1, 235,
248/301, 304, 309.1, 309.2

See application file for complete search history.

(56) **References Cited**

U.S. PATENT DOCUMENTS

2,797,817	A *	7/1957	Shugarman	211/96
2,872,145	A *	2/1959	Goldsholl	D6/553
4,366,906	A *	1/1983	Joyce	211/59.1
D275,629	S *	9/1984	Einhorn	D8/372
D331,855	S *	12/1992	Kaplan	D6/553
D393,557	S *	4/1998	Guccione	D6/553
D396,159	S *	7/1998	Anderson et al.	D6/553
D438,415	S *	3/2001	Pohl	D6/567
D459,130	S *	6/2002	Annan	D6/553
D496,817	S *	10/2004	Martin	D6/553
D520,794	S *	5/2006	Grover	D6/567

* cited by examiner

Primary Examiner—Brian N Vinson

(74) *Attorney, Agent, or Firm*—Reinhart Boerner Van Deuren P.C.

(57) **CLAIM**

We claim the ornamental design for the pegboard adapter, as shown and described.

DESCRIPTION

FIG. 1 is an isometric view of an embodiment of the present invention illustrating a pegboard adapter with corner clearance and adjustment rib, in which the pegboard adapter is translucent;

FIG. 2 is a front view of the translucent pegboard adapter shown in FIG. 1;

FIG. 3 is a top view of the translucent pegboard adapter shown in FIG. 1;

FIG. 4 is a side view of the translucent pegboard adapter shown in FIG. 1;

FIG. 5 is a back view of the translucent pegboard adapter shown in FIG. 1;

FIG. 6 is a bottom view of the translucent pegboard adapter shown in FIG. 1;

FIG. 7 is a side view of the translucent pegboard adapter shown in FIG. 1, showing the side opposite that shown in FIG. 4;

FIG. 8 is an isometric view of an embodiment of the present invention illustrating a pegboard adapter with corner clearance and adjustment rib, in which the pegboard adapter is opaque;

FIG. 9 is a front view of the translucent pegboard adapter shown in FIG. 8;

FIG. 10 is a top view of the translucent pegboard adapter shown in FIG. 8;

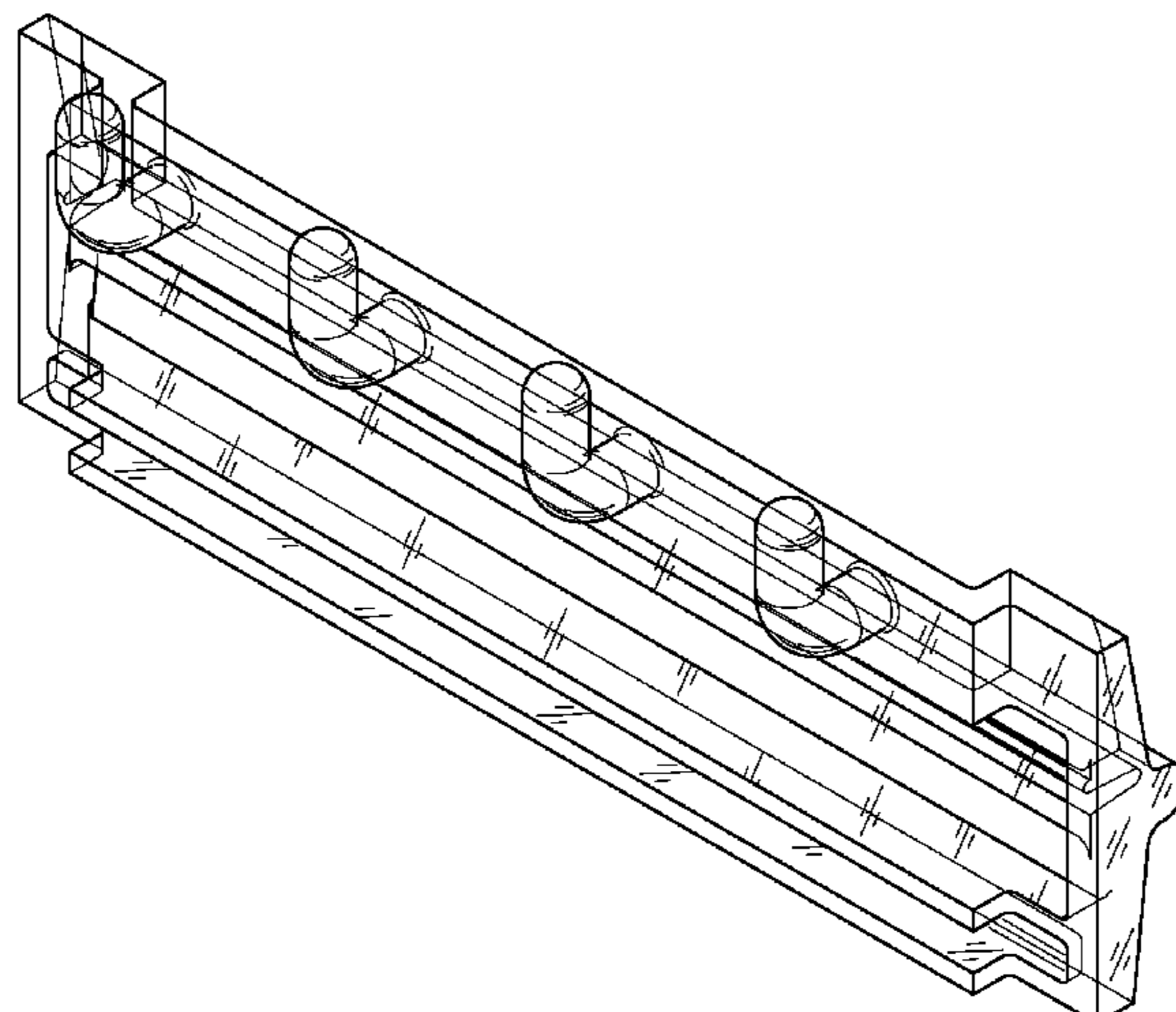
FIG. 11 is a side view of the translucent pegboard adapter shown in FIG. 8;

FIG. 12 is a back view of the translucent pegboard adapter shown in FIG. 8;

FIG. 13 is a bottom view of the translucent pegboard adapter shown in FIG. 8; and,

FIG. 14 is a side view of the translucent pegboard adapter shown in FIG. 8, showing the side opposite that shown in FIG. 11.

1 Claim, 6 Drawing Sheets



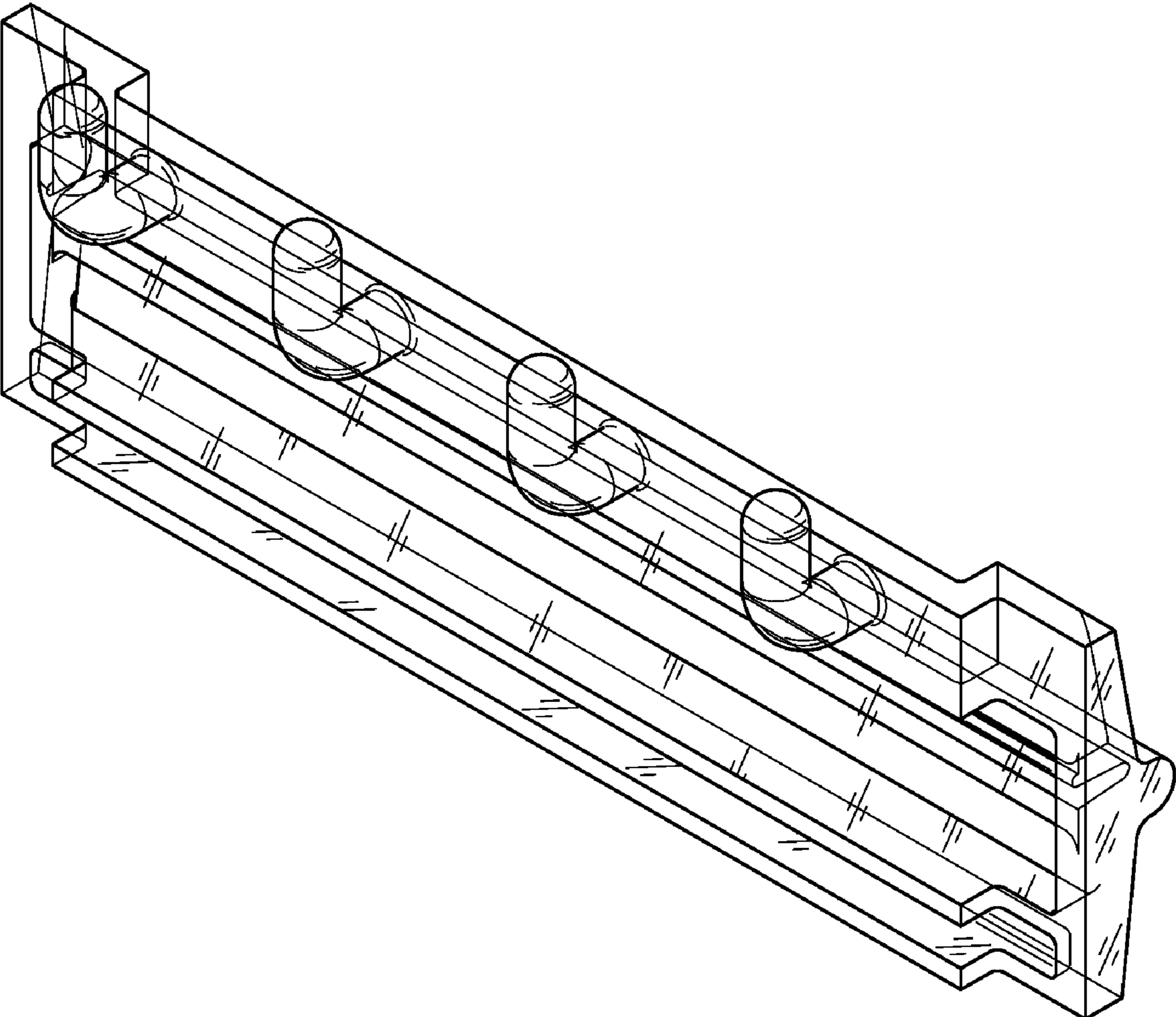


FIG. 1

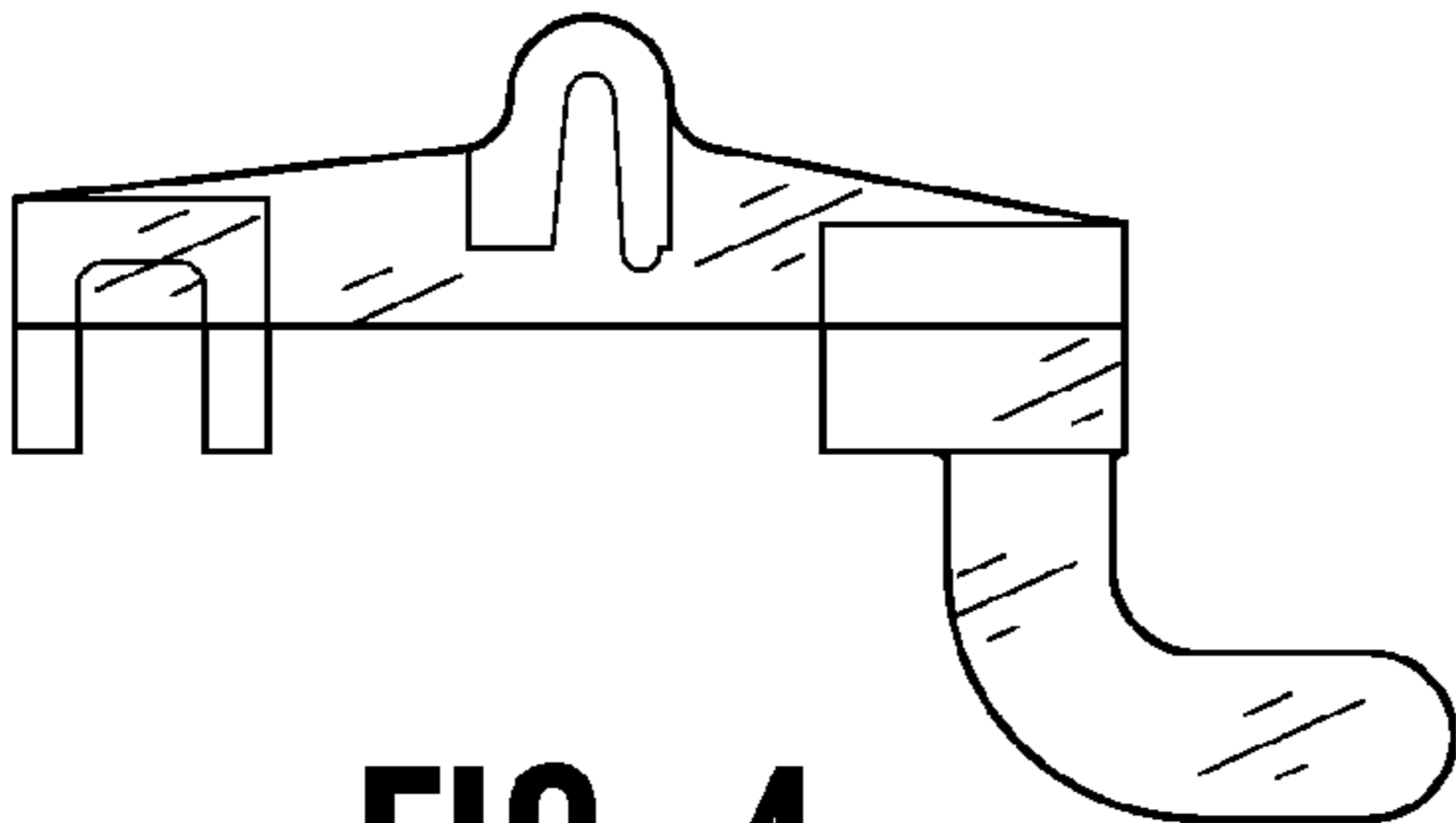


FIG. 4

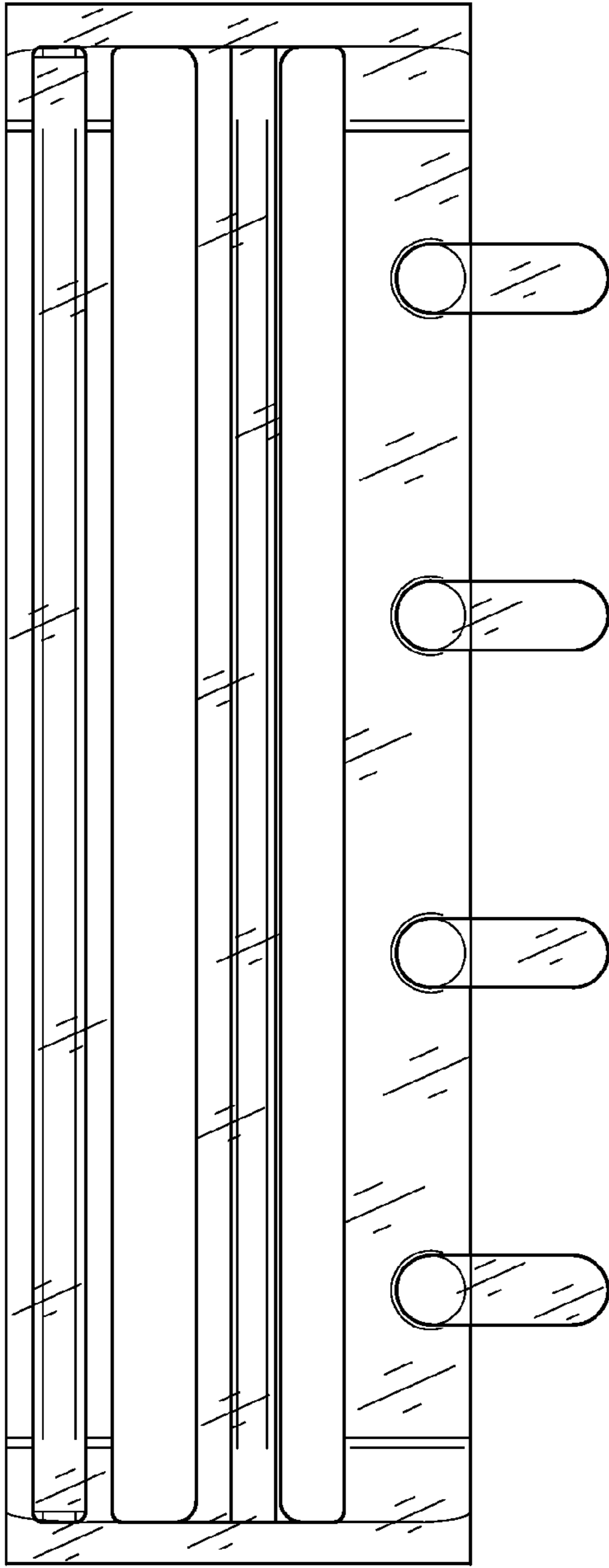


FIG. 2

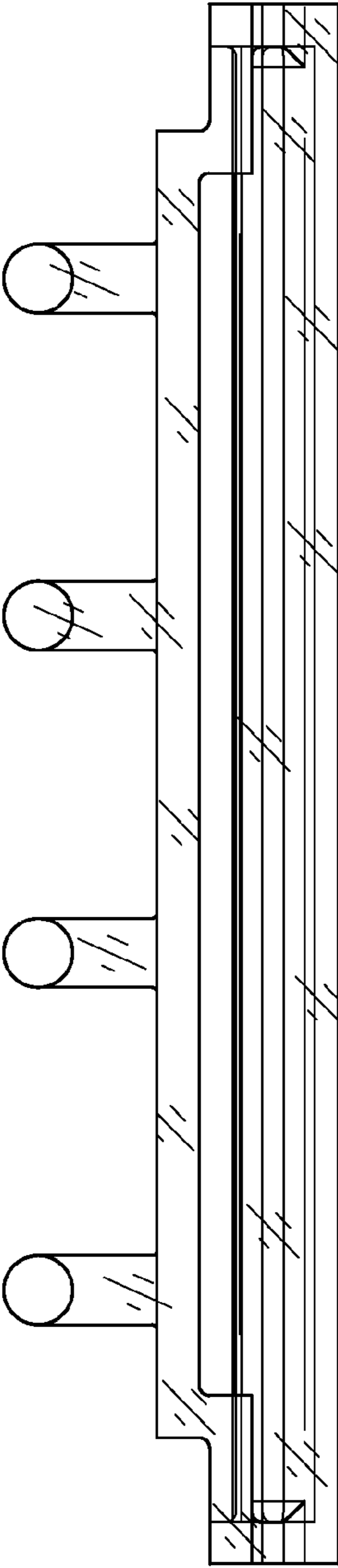


FIG. 3

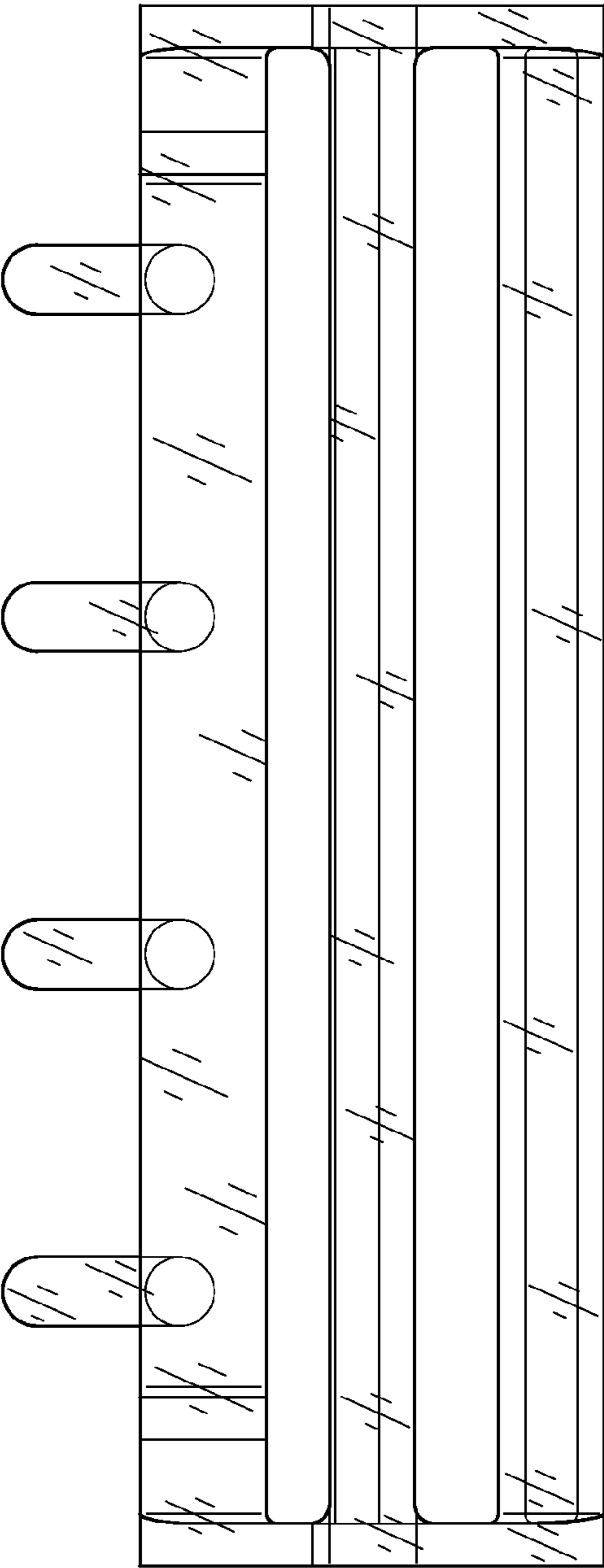


FIG. 5

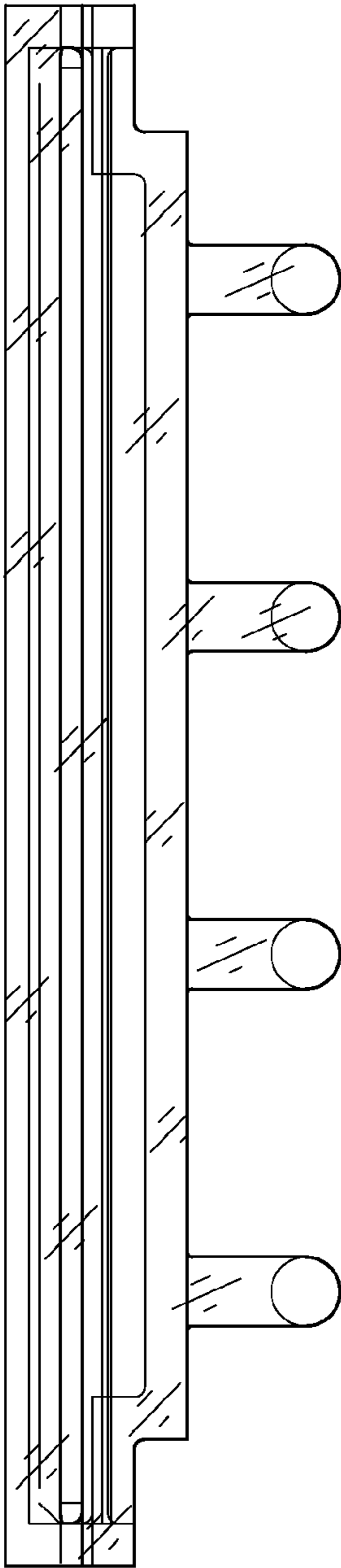


FIG. 6

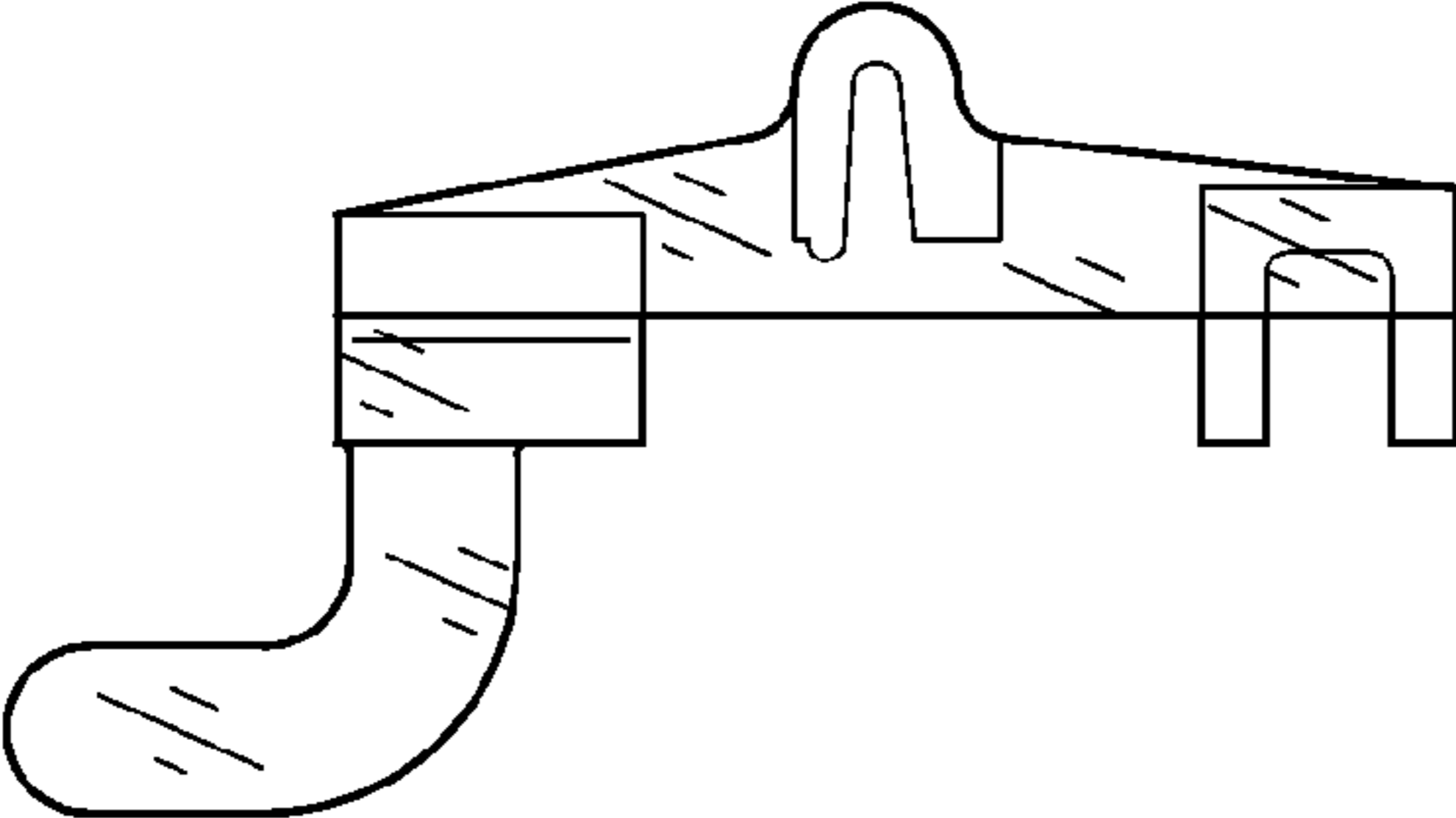


FIG. 7

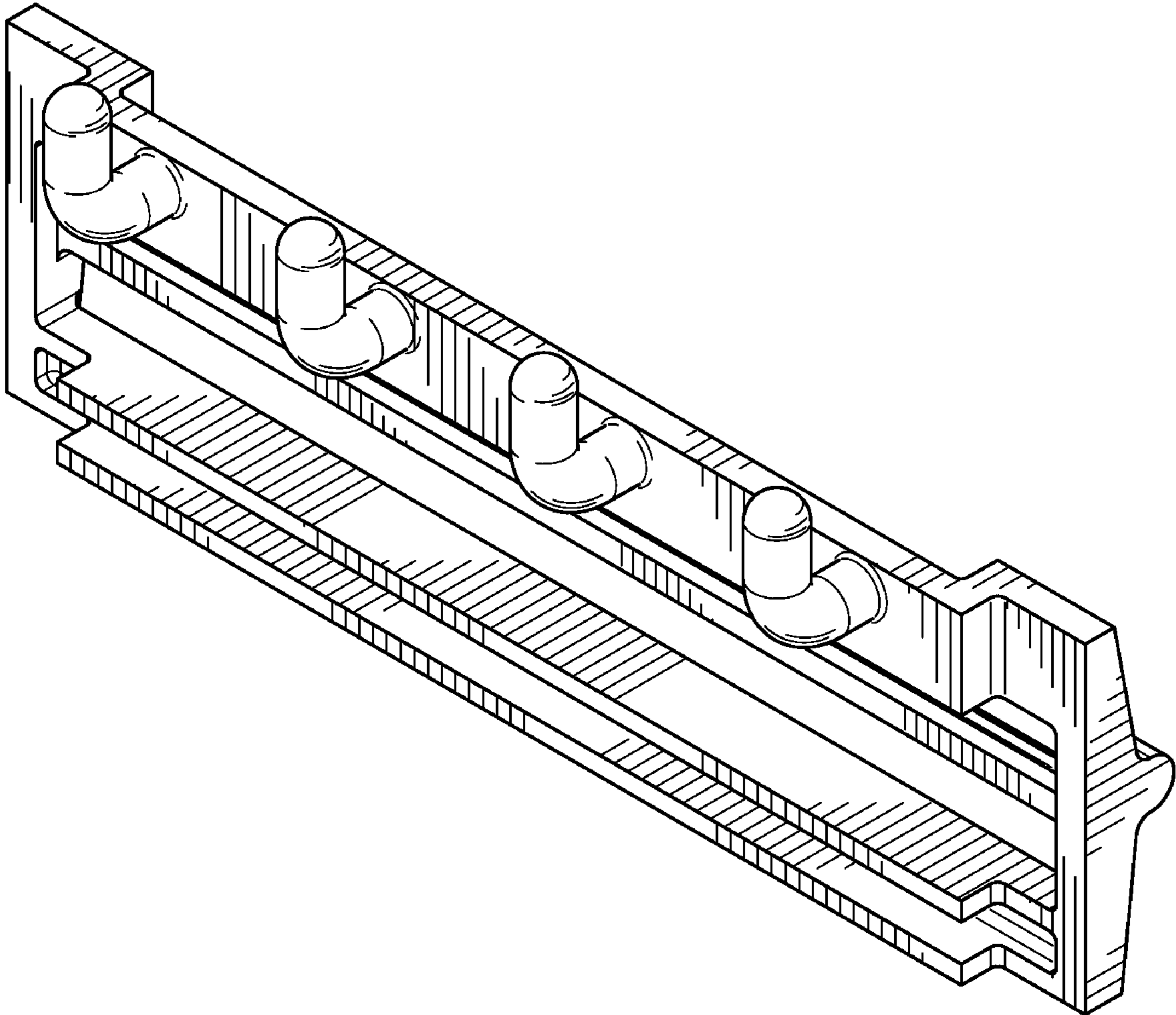


FIG. 8

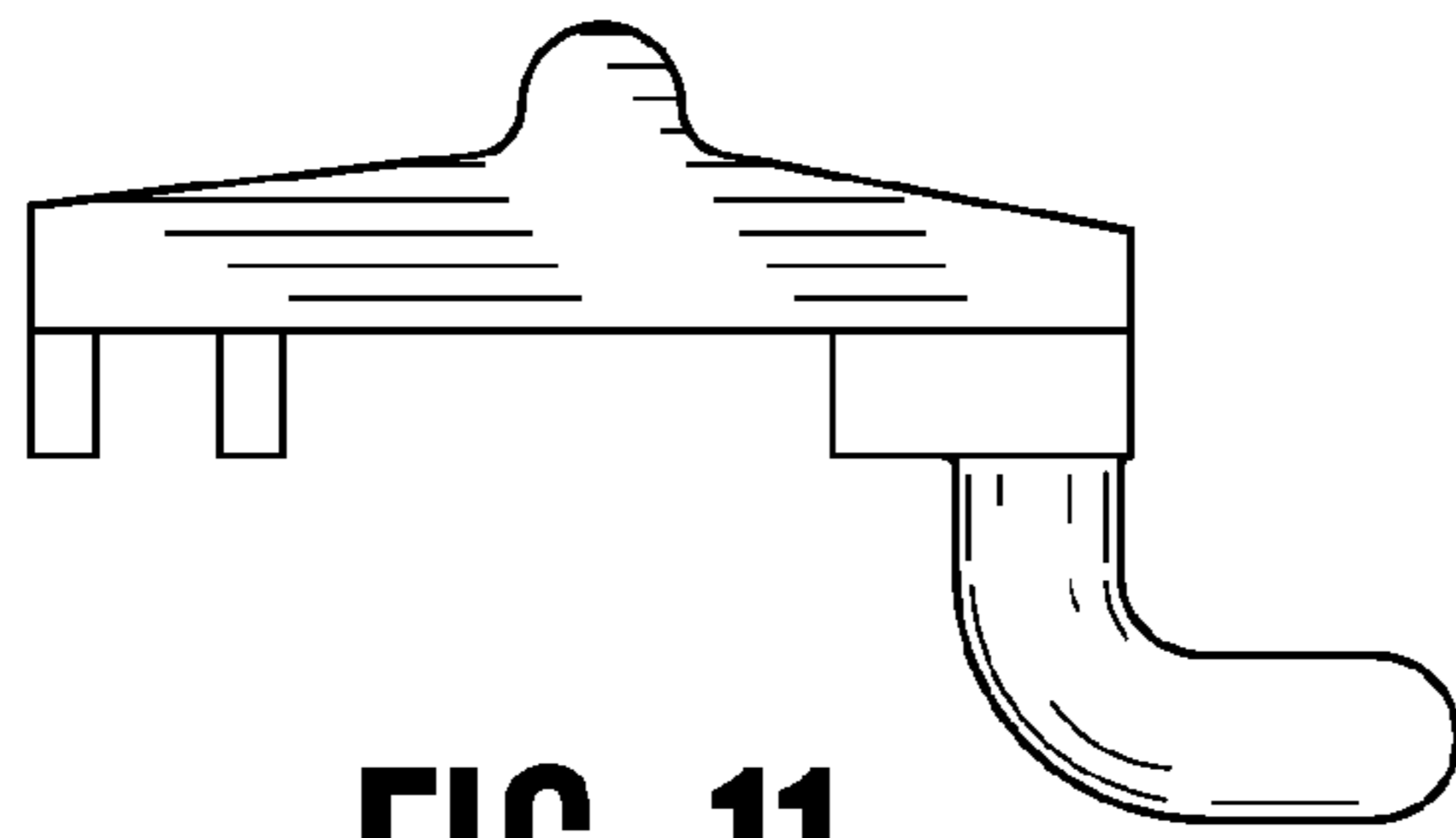


FIG. 11

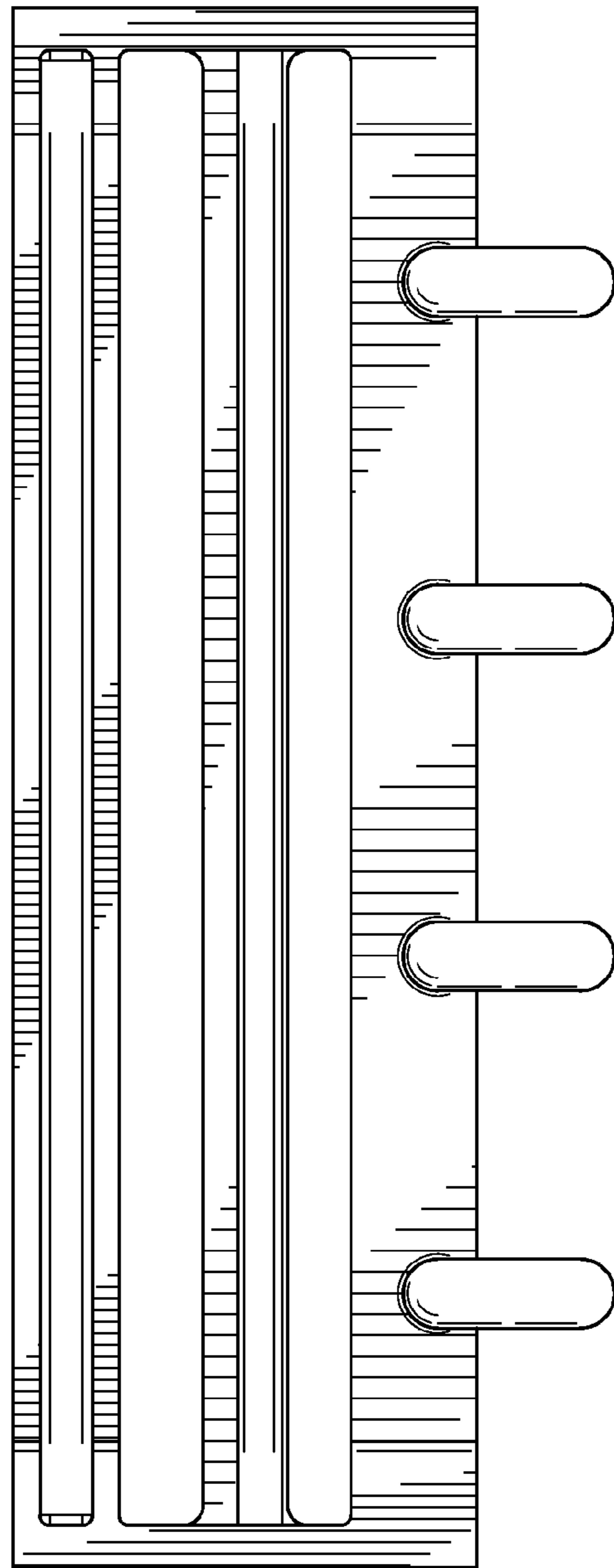


FIG. 9

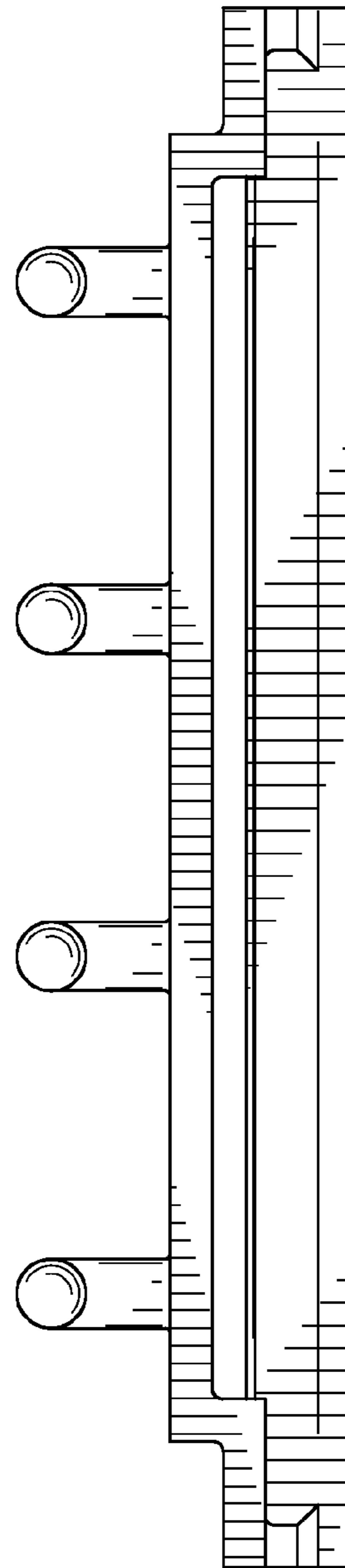


FIG. 10

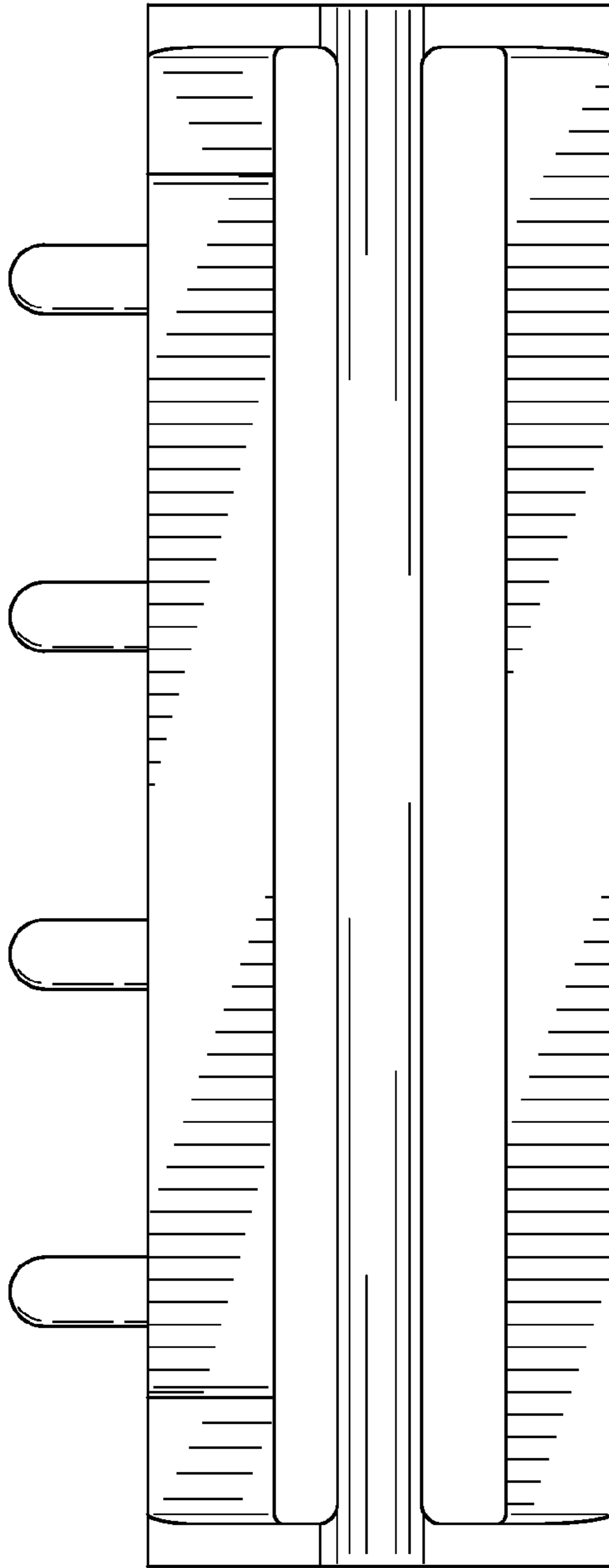


FIG. 12

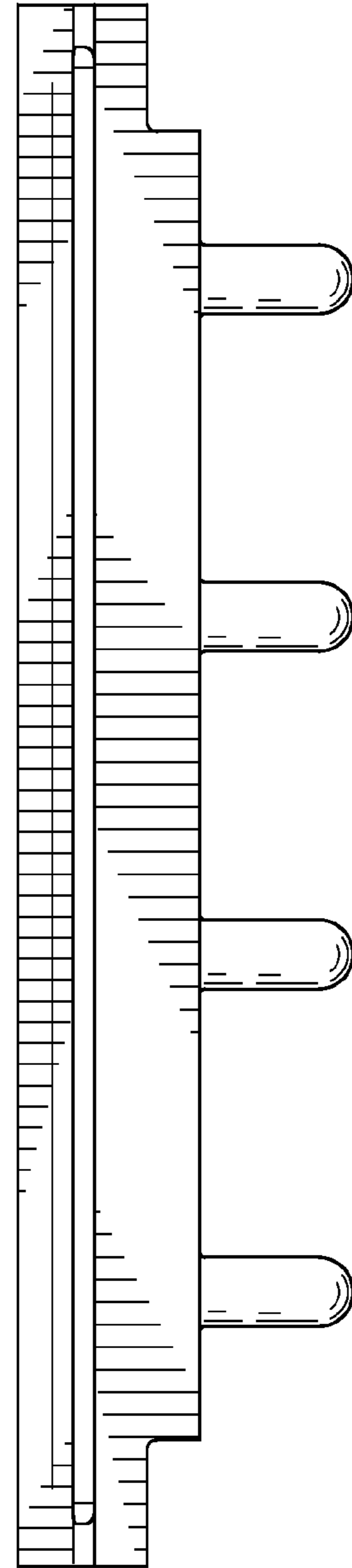


FIG. 13

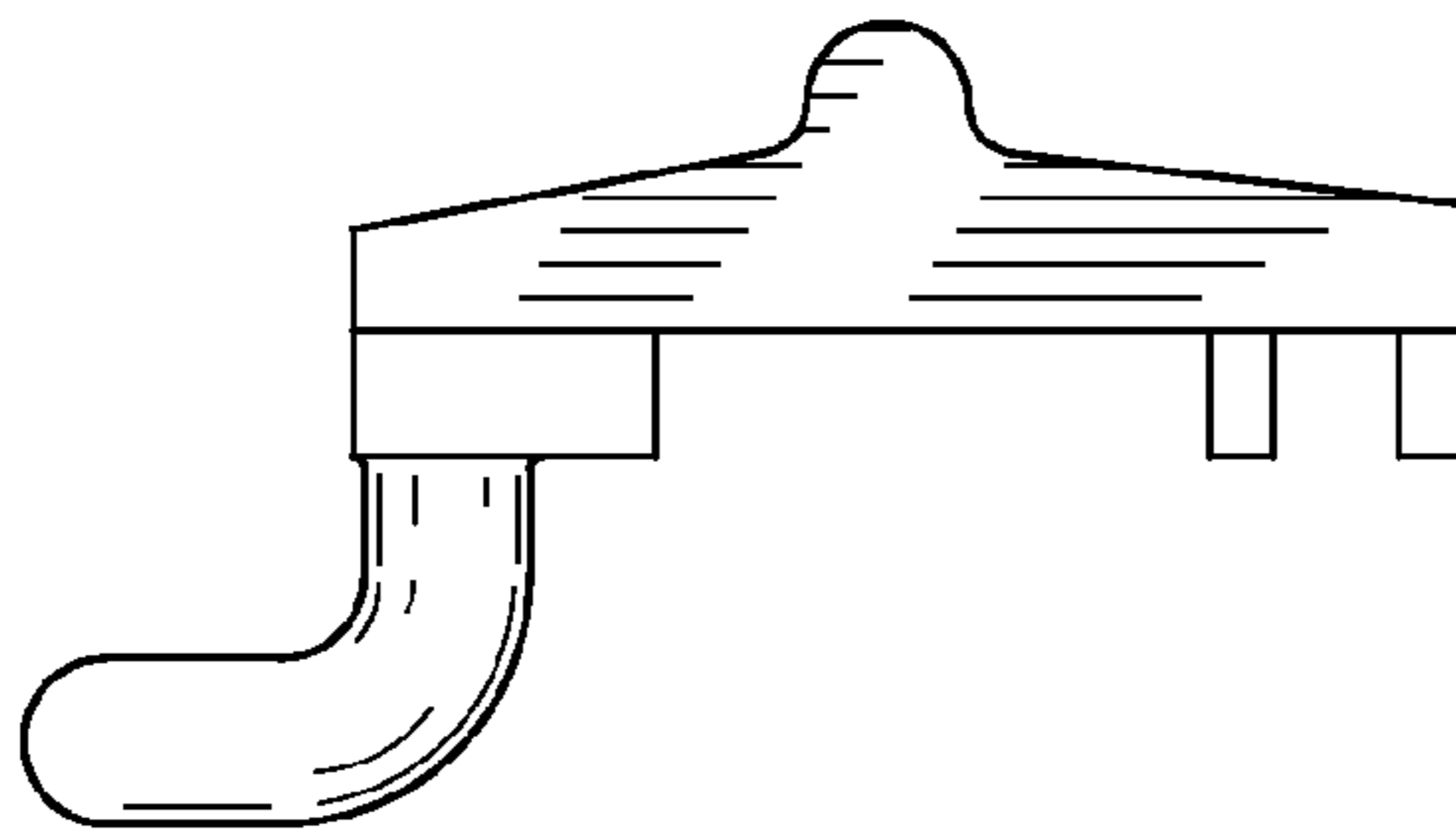


FIG. 14