

US00D609950S

(12) **United States Design Patent**
Yang et al.

(10) **Patent No.:** **US D609,950 S**
(45) **Date of Patent:** **** Feb. 16, 2010**

(54) **TOOTH BRUSH HOLDER**

(75) Inventors: **Frank Yang**, Rancho Palos Verdes, CA (US); **Tzu-Hao Wei**, Hacienda Heights, CA (US); **Adam Wade**, Rancho Santa Margarita, CA (US); **Myk Lum**, Irvine, CA (US)

(73) Assignee: **Simplehuman, LLC**, Torrance, CA (US)

(**) Term: **14 Years**

(21) Appl. No.: **29/334,015**

(22) Filed: **Mar. 19, 2009**

(51) **LOC (9) Cl.** **23-02**

(52) **U.S. Cl.** **D6/528**

(58) **Field of Classification Search** D6/524,
D6/528, 534; 206/349, 361, 362, 362.1,
206/362.2, 362.3; 211/13.1, 65
See application file for complete search history.

(56) **References Cited**

U.S. PATENT DOCUMENTS

D389,686 S * 1/1998 Drage D6/528

D423,265 S * 4/2000 Azo D6/528
6,053,338 A * 4/2000 Avery et al. 211/65
D439,780 S * 4/2001 Azo D6/528
D472,415 S * 4/2003 Song D6/528
D543,750 S * 6/2007 Hines D6/534

* cited by examiner

Primary Examiner—Brian N Vinson

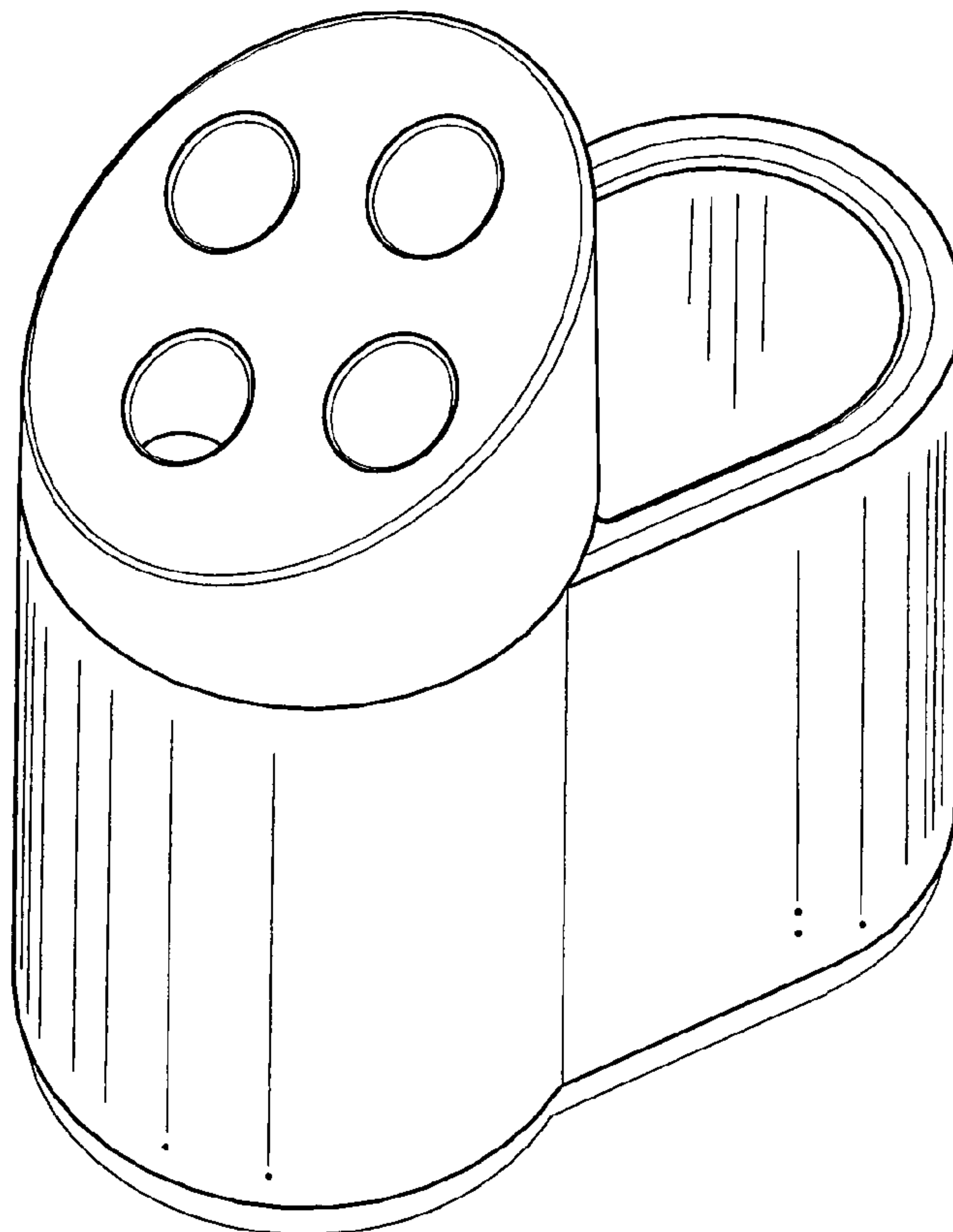
(57) **CLAIM**

The ornamental design for a tooth brush holder, as shown.

DESCRIPTION

FIG. 1 is a front view of a tooth brush holder, a new design;
FIG. 2 is a rear view thereof;
FIG. 3 is a top view thereof;
FIG. 4 is a bottom view thereof;
FIG. 5 is a right view thereof;
FIG. 6 is a left view thereof; and,
FIG. 7 is a top pan view thereof.

1 Claim, 7 Drawing Sheets



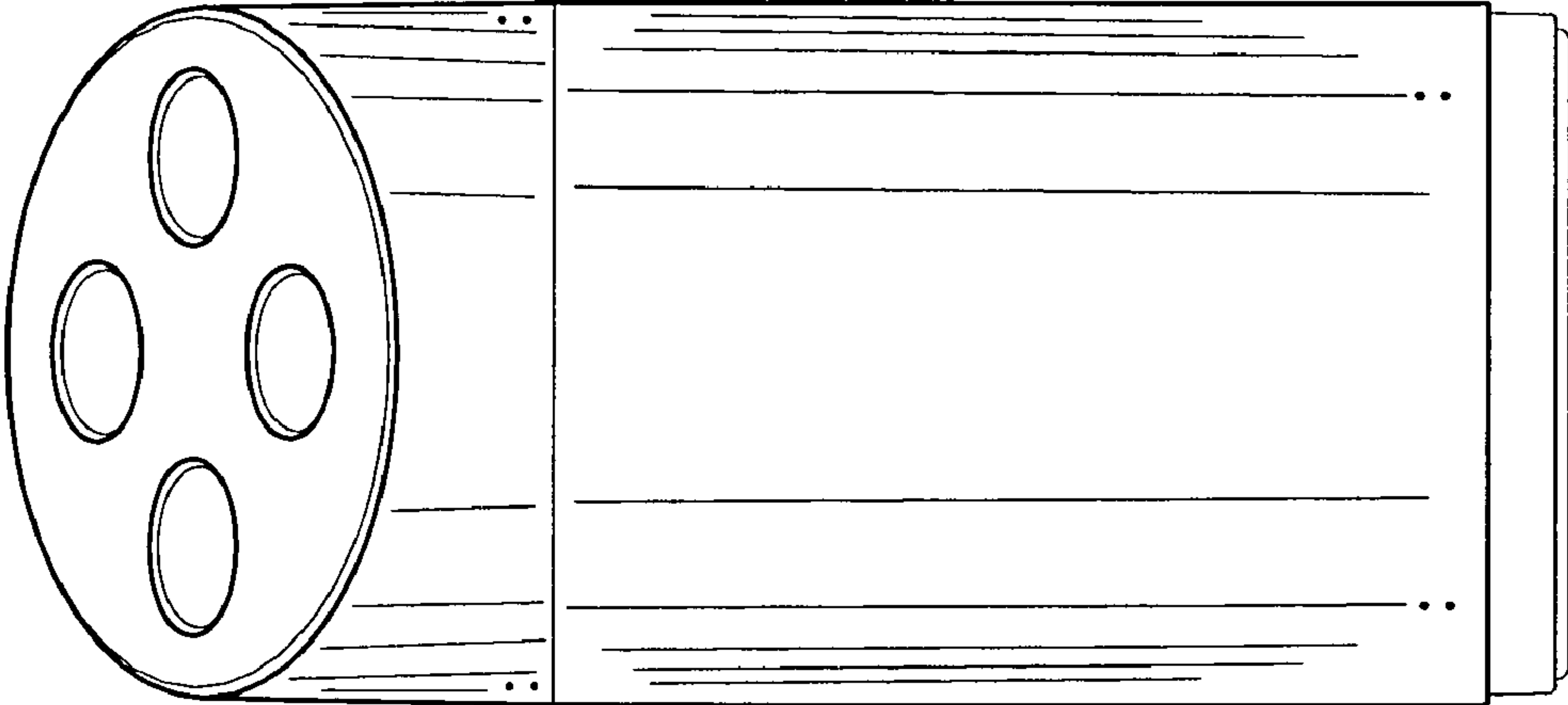


Figure 1

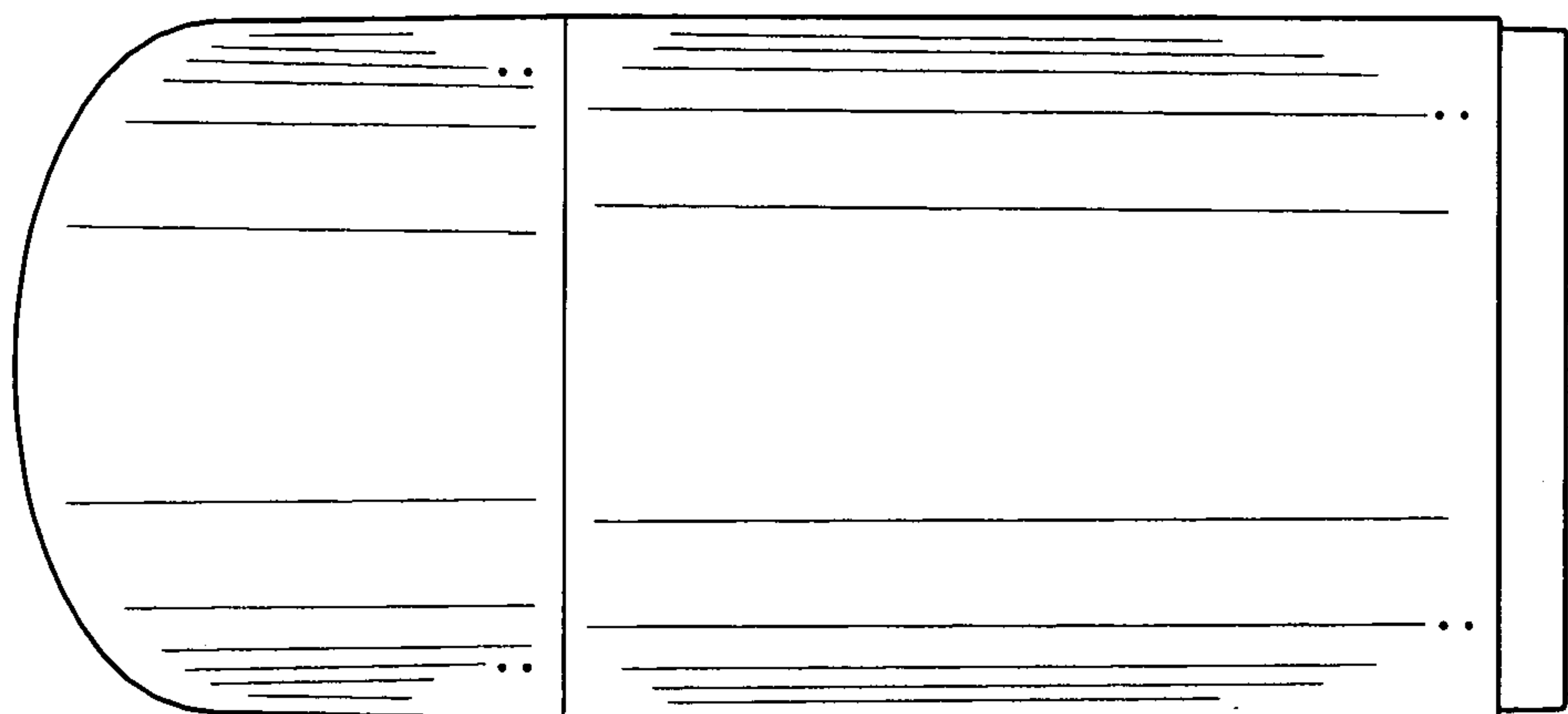


Figure 2

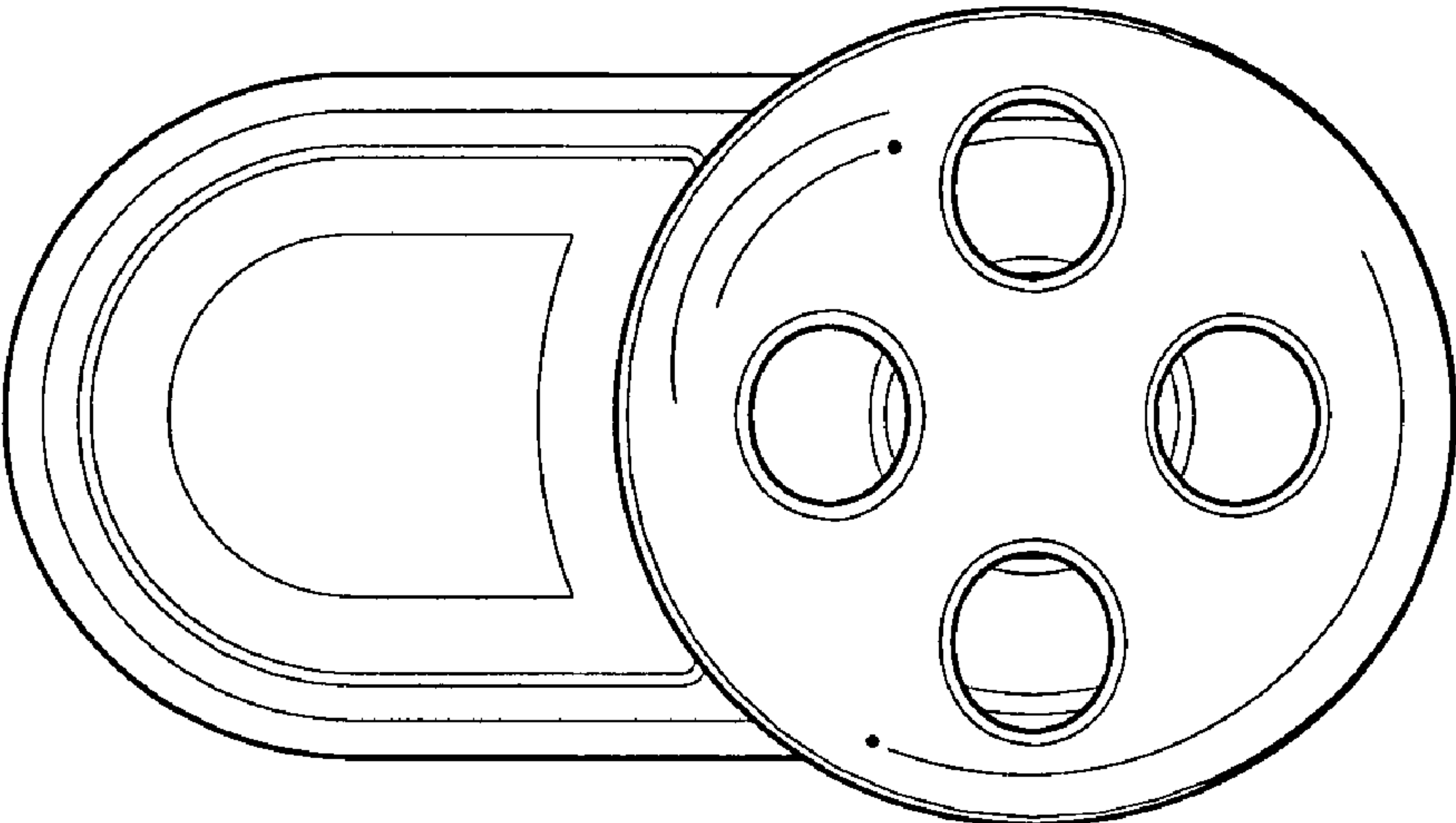


Figure 3

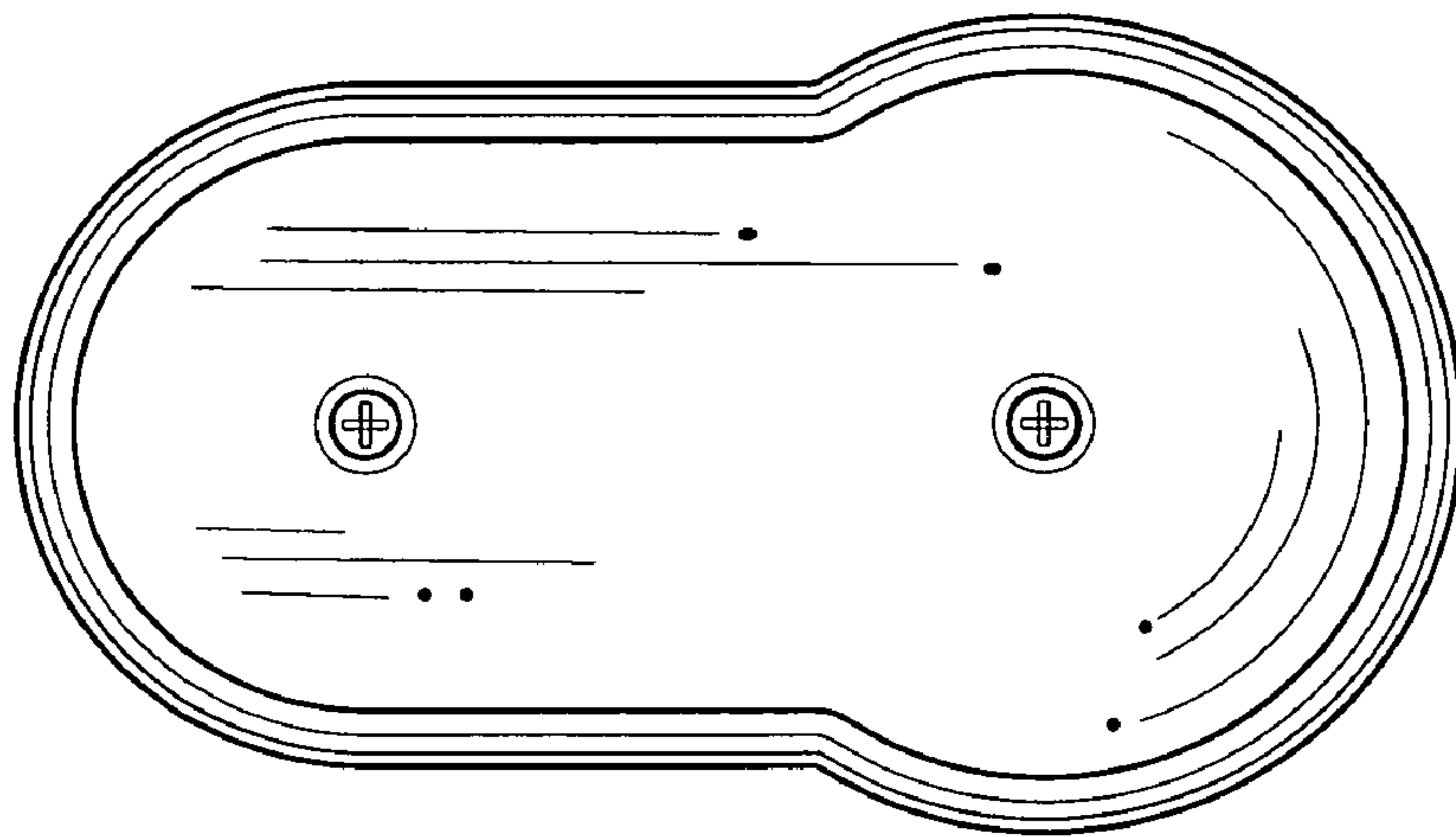


Figure 4

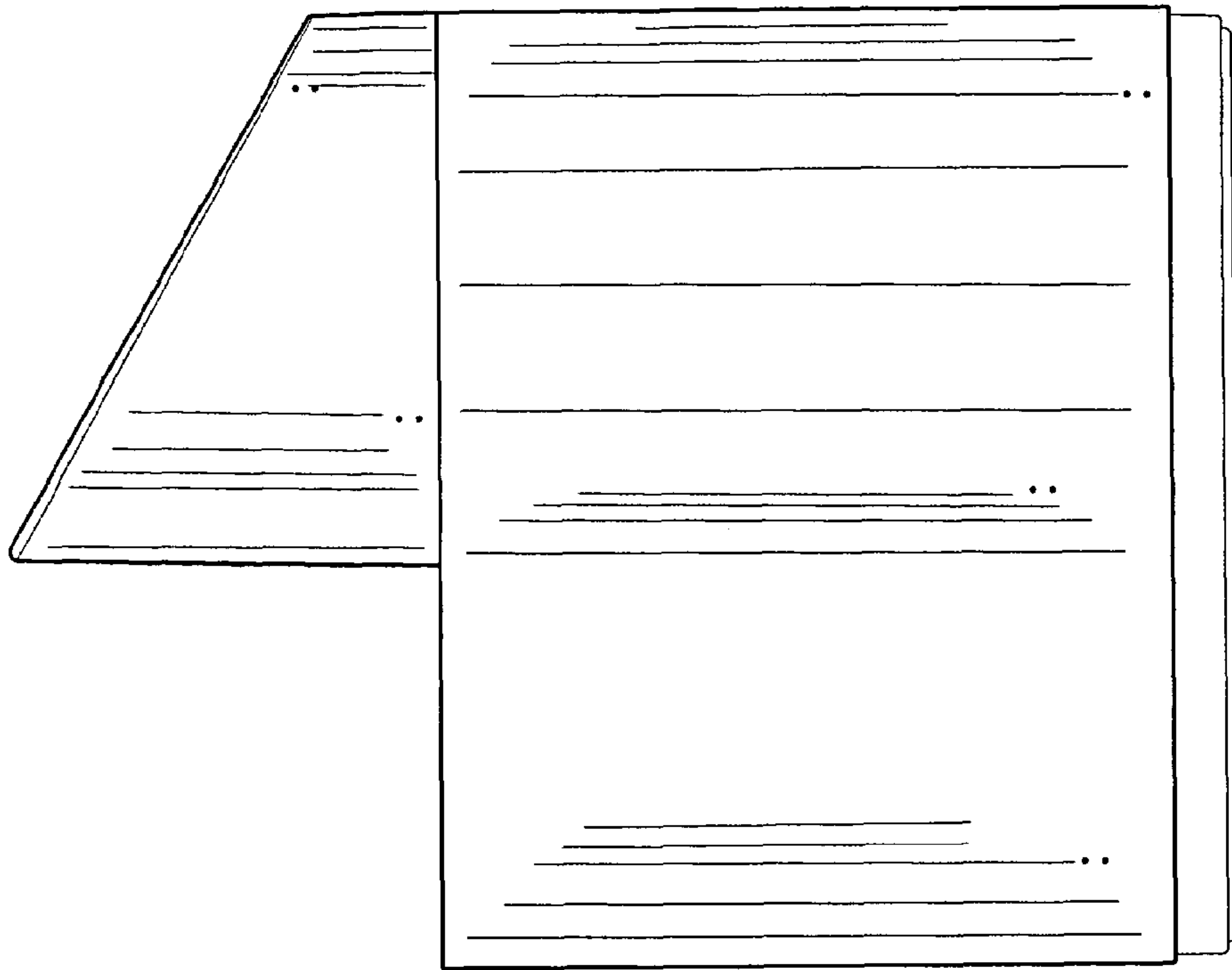


Figure 5

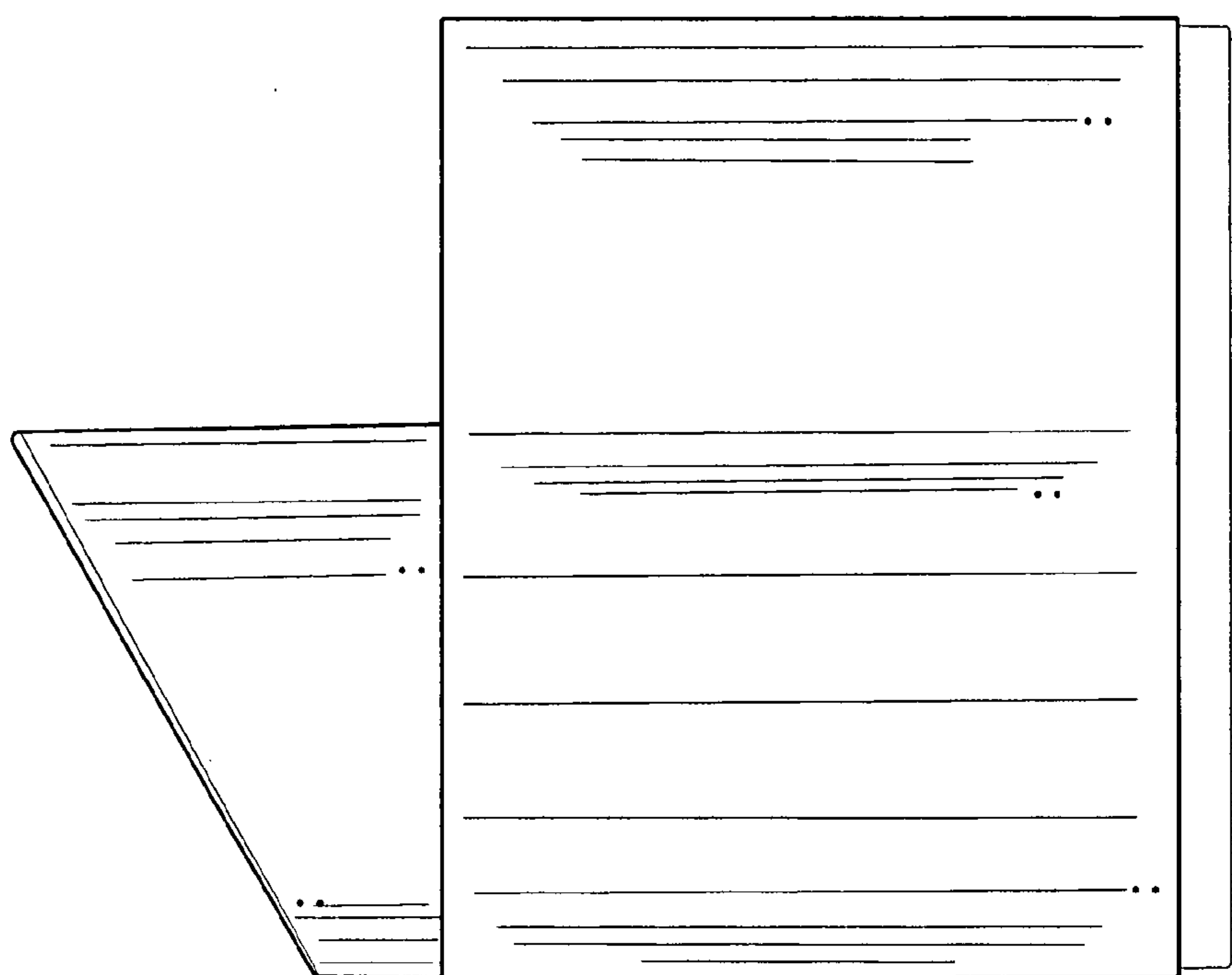


Figure 6

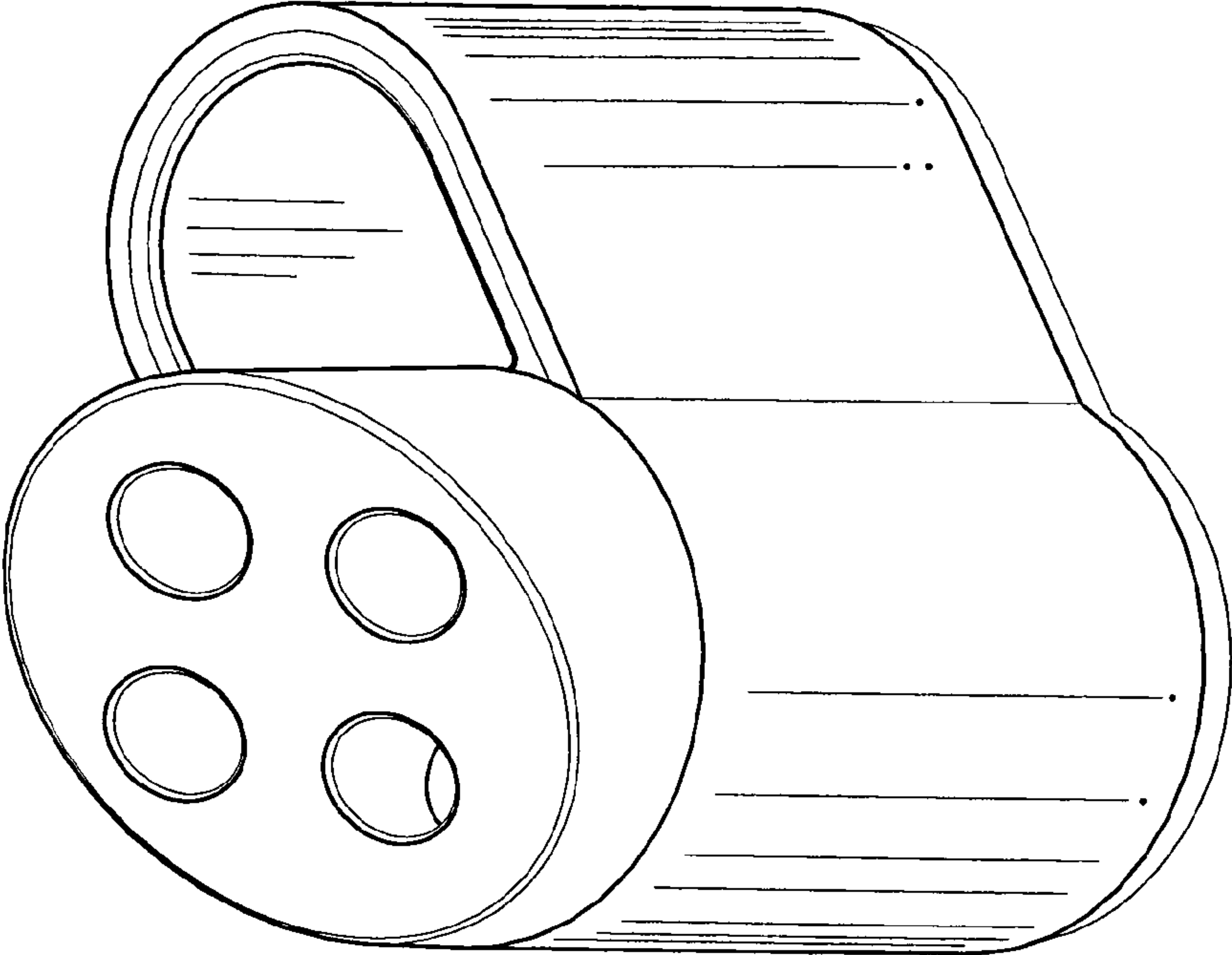


Figure 7