



US00D609948S

(12) **United States Design Patent**
Seehoff et al.

(10) **Patent No.:** **US D609,948 S**

(45) **Date of Patent:** **** Feb. 16, 2010**

(54) **TOWEL RACK**

(75) Inventors: **Gary Stanley Seehoff**, Encino, CA
(US); **Huy Kha Nguyen**, Garden Grove,
CA (US)

(73) Assignee: **Evriholder Products LLC**, Anaheim,
CA (US)

(**) Term: **14 Years**

(21) Appl. No.: **29/330,272**

(22) Filed: **Jan. 2, 2009**

(51) **LOC (9) Cl.** **20-02**

(52) **U.S. Cl.** **D6/518**

(58) **Field of Classification Search** D6/515,
D6/518-523; D3/201; 206/389, 391, 407,
206/409; 312/34.1, 34.8; 211/16, 85.5, 59.2;
221/92, 97, 185, 282, 284; 242/159, 160.2,
242/550, 560, 590, 595, 588, 598, 598.3,
242/598.6

See application file for complete search history.

(56) **References Cited**

U.S. PATENT DOCUMENTS

D264,406 S * 5/1982 Arnott D6/522

D326,580 S * 6/1992 Brazis D6/522
D426,992 S * 6/2000 Walker D6/522
D551,478 S * 9/2007 Dretzka D6/522
D578,813 S * 10/2008 Goodman et al. D6/522

* cited by examiner

Primary Examiner—Brian N Vinson

(57) **CLAIM**

The ornamental design for a towel rack, as shown and described.

DESCRIPTION

FIG. 1 illustrates a top view of the claimed design for a towel rack;

FIG. 2 illustrates a front view thereof;

FIG. 3 illustrates a left-side view thereof;

FIG. 4 illustrates a right-side view thereof;

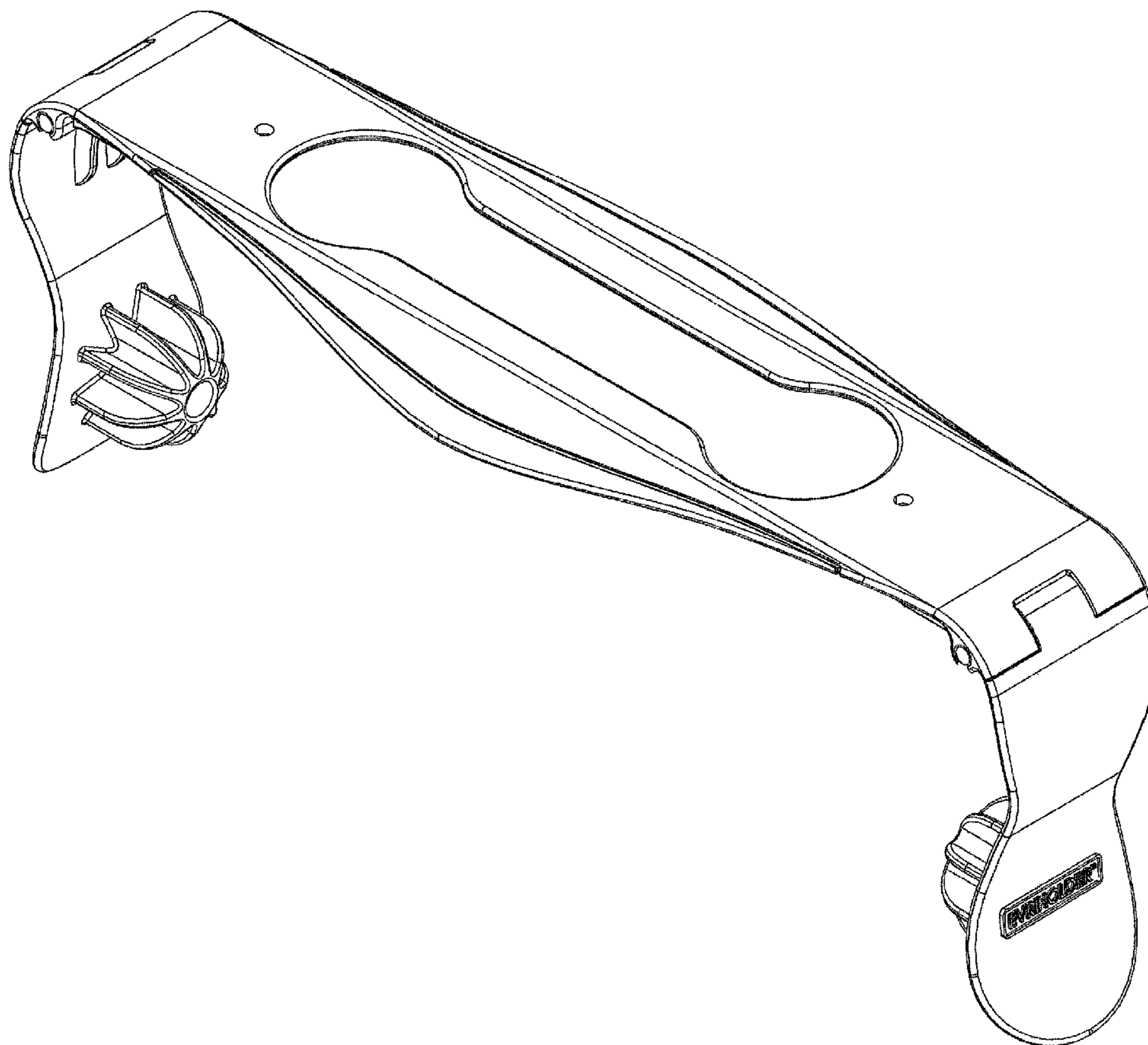
FIG. 5 illustrates a rear view thereof;

FIG. 6 illustrates a bottom view thereof;

FIG. 7 illustrates an internal sectional view thereof; and,

FIG. 8 illustrates a perspective view thereof.

1 Claim, 8 Drawing Sheets



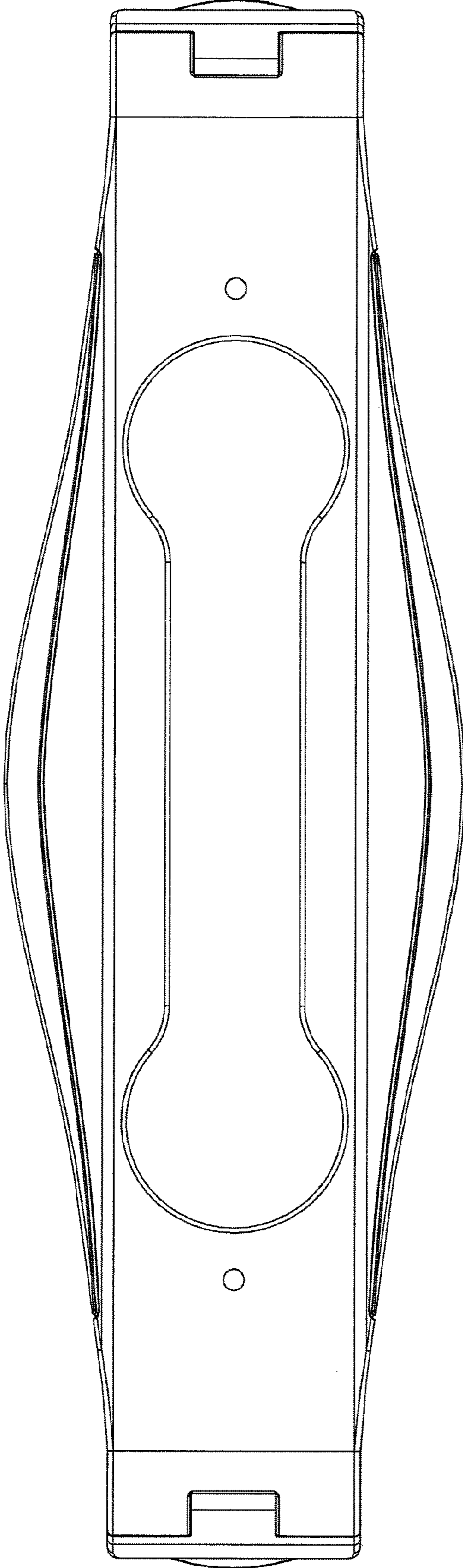


Fig. 1

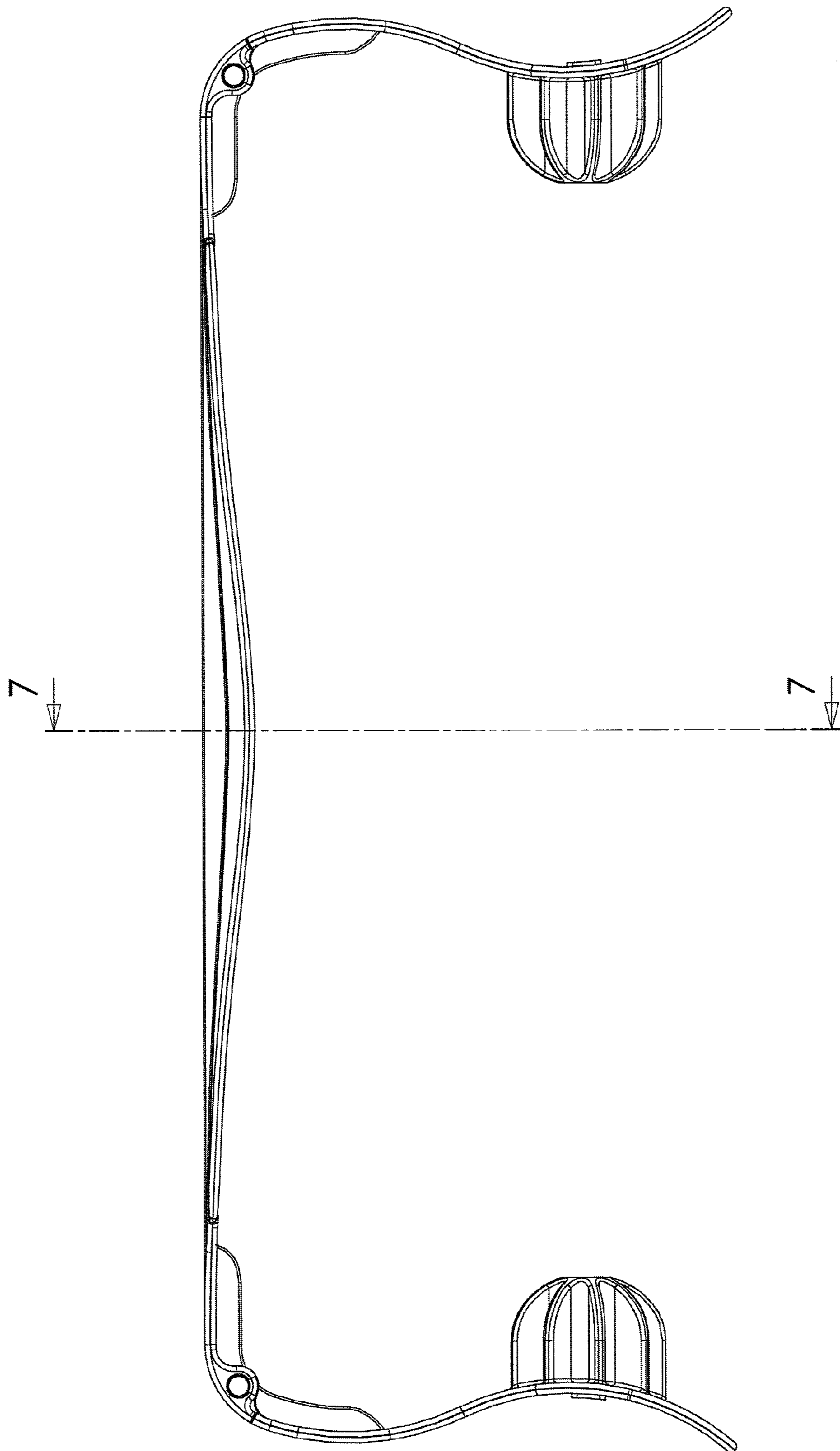


Fig. 2

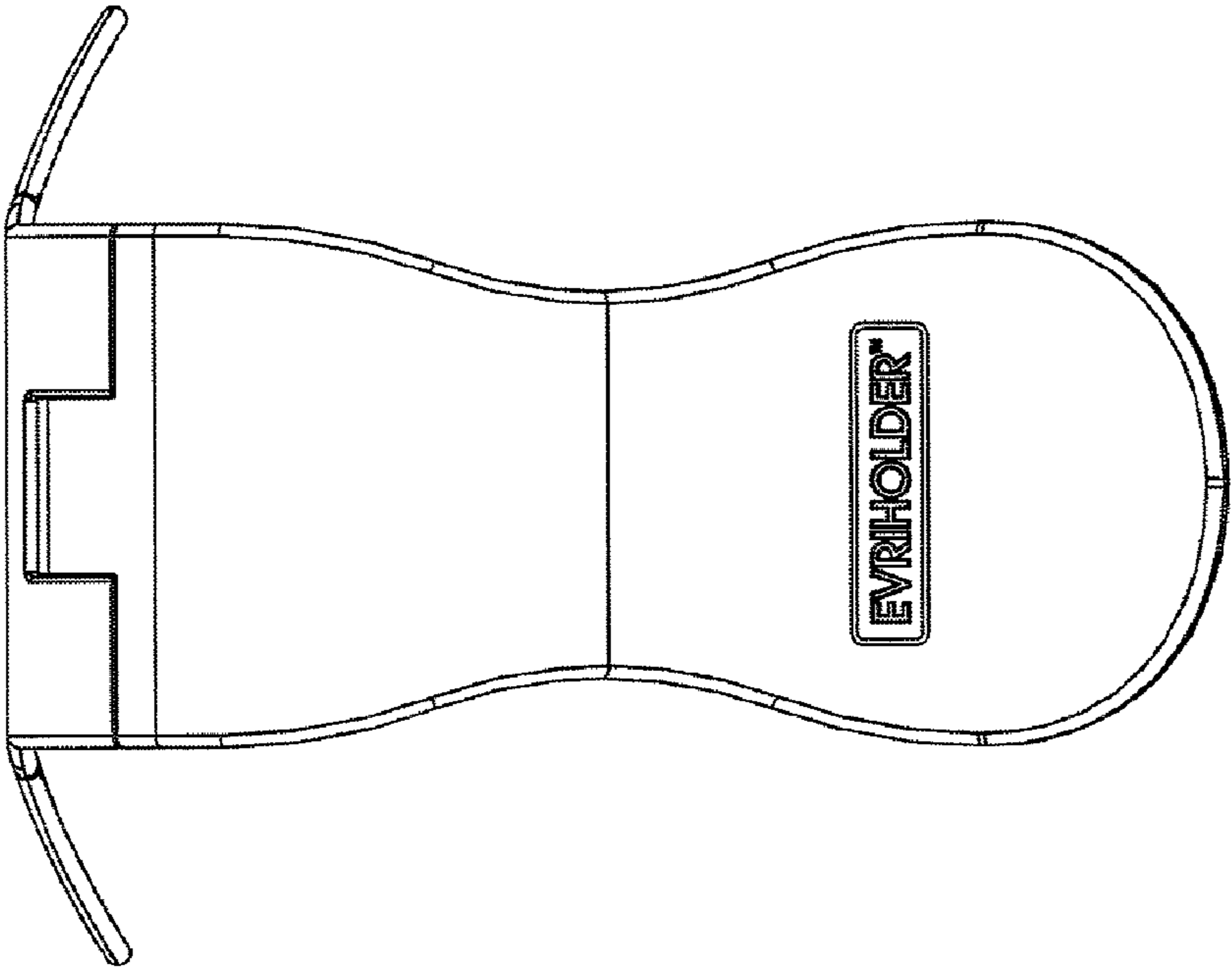


Fig. 3

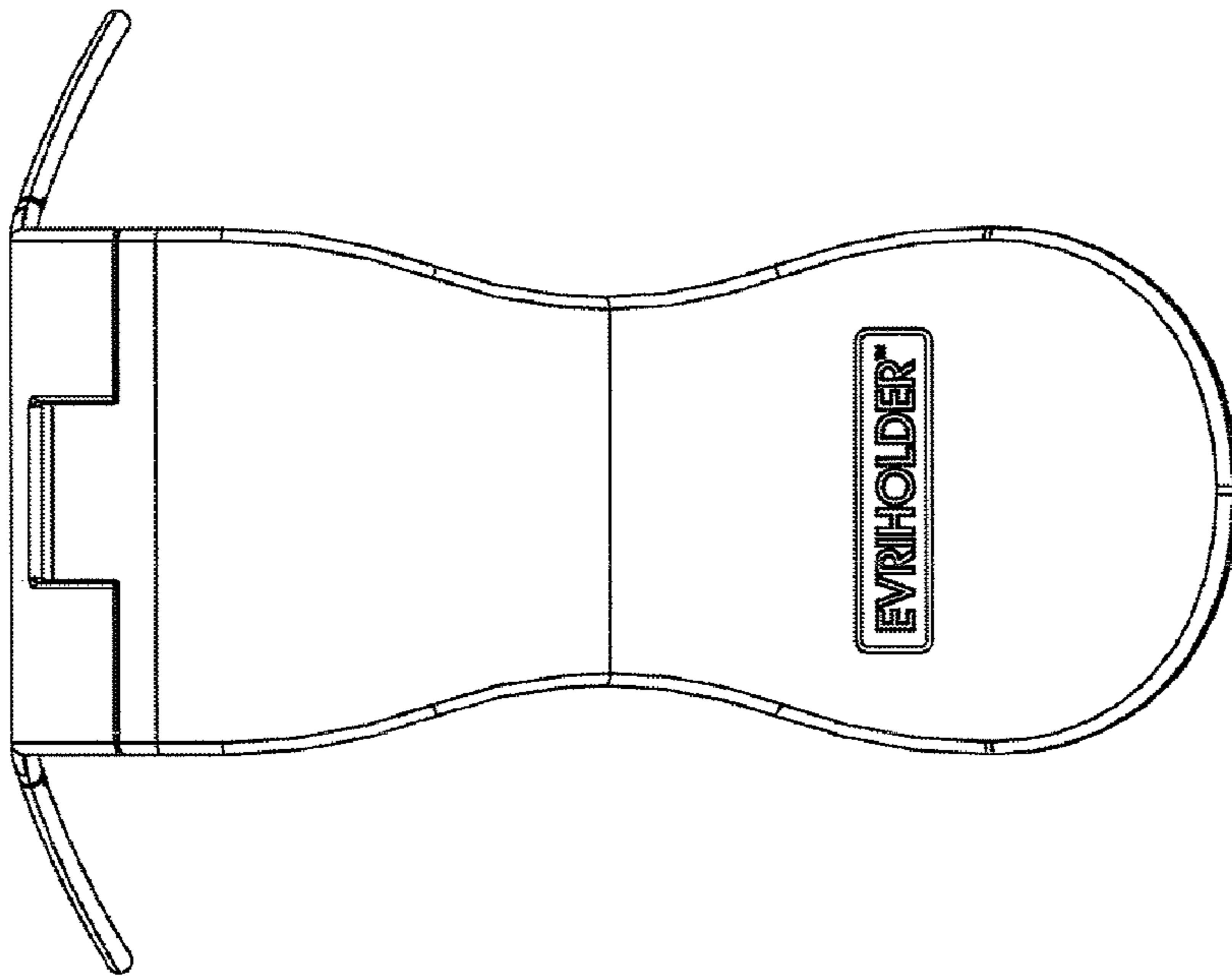


Fig. 4



Fig. 5

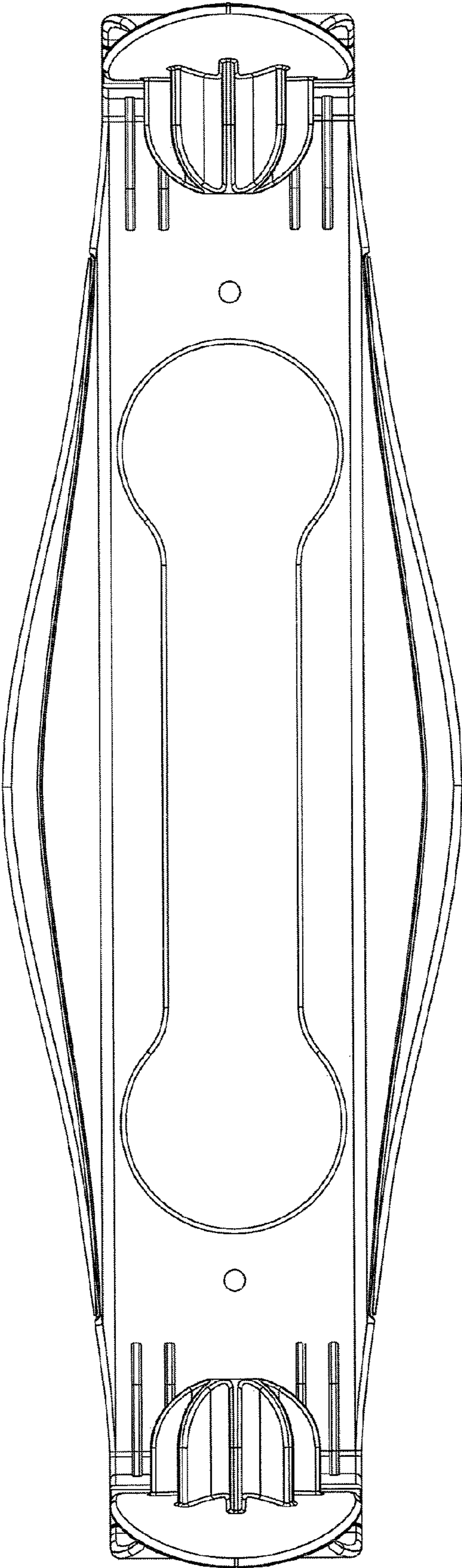


Fig. 6

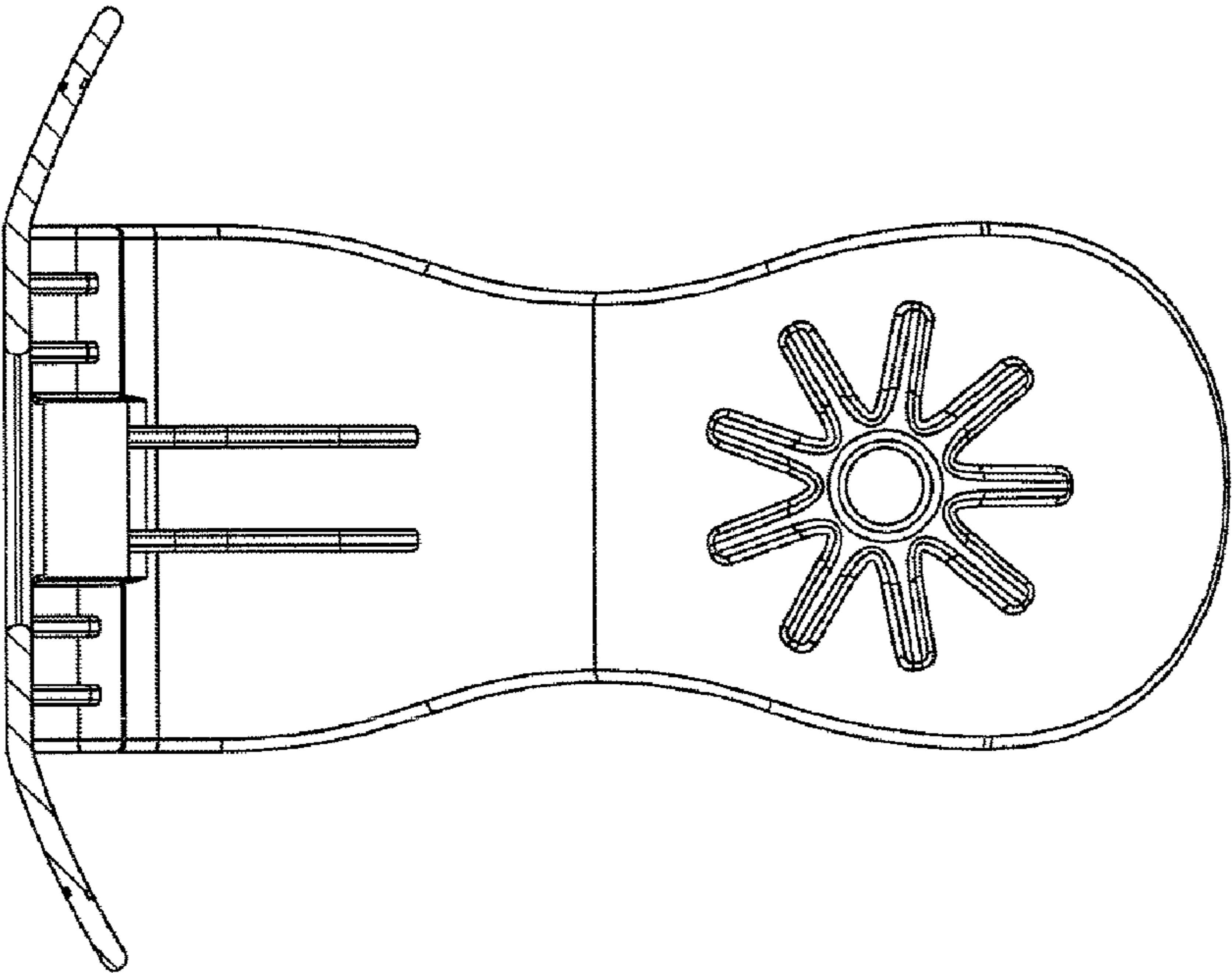


Fig. 7

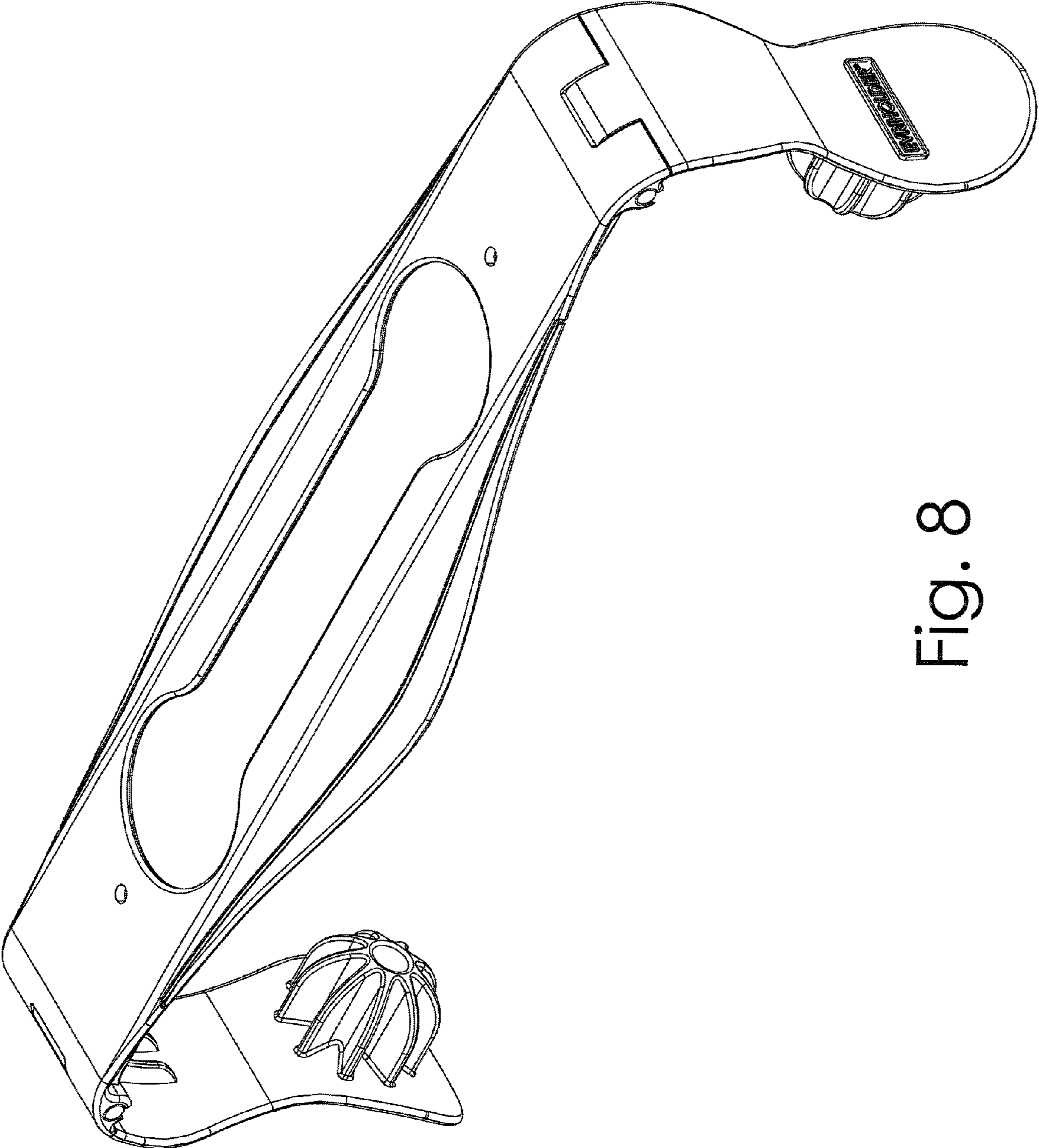


Fig. 8