



US00D609945S

(12) **United States Design Patent**
Everson

(10) **Patent No.:** **US D609,945 S**

(45) **Date of Patent:** **** Feb. 16, 2010**

(54) **TABLE**

(75) Inventor: **Terry A. Everson**, Blair, WI (US)

(73) Assignee: **Ashley Furniture Industries, Inc.**,
Arcadia, WI (US)

(**) Term: **14 Years**

(21) Appl. No.: **29/313,627**

(22) Filed: **Jan. 27, 2009**

(51) **LOC (9) Cl.** **06-06**

(52) **U.S. Cl.** **D6/511**

(58) **Field of Classification Search** D6/480-489,
D6/495-499, 450, 451, 429-431, 300; 108/150,
108/153.1, 155, 156, 161; 248/188, 188.1,
248/188.8

See application file for complete search history.

(56) **References Cited**

U.S. PATENT DOCUMENTS

D39,872 S *	3/1909	Smith	D6/469
D274,874 S	7/1984	Emery		
D278,584 S *	4/1985	Bromley	D6/484
D312,539 S	12/1990	DeWitt		
D330,262 S *	10/1992	Wertz	D25/113
D334,312 S *	3/1993	Glass	D6/484
D396,767 S	8/1998	De Blaay		
D396,973 S	8/1998	De Blaay		
D433,849 S	11/2000	Walters, III et al.		
D449,184 S	10/2001	Cain		
D454,733 S	3/2002	Lantigua et al.		
D469,623 S *	2/2003	Norbut, Jr.	D6/429
D493,983 S *	8/2004	Di Guglielmo et al.	D6/484

(Continued)

OTHER PUBLICATIONS

Pier 1, Bima Table (A1), prior to Jan. 27, 2009.

(Continued)

Primary Examiner—Janice E Seeger

(74) *Attorney, Agent, or Firm*—Patterson, Thuente, Skaar & Christensen, P.A.

(57) **CLAIM**

I claim the ornamental design for a table, as shown and described.

DESCRIPTION

FIG. 1 is a front corner perspective view of a table according to a first embodiment of the invention in the form of a cocktail table. The view from the opposite corner being a mirror image thereto.

FIG. 2 is a side elevational view of a table according to a first embodiment of the invention in the form of a cocktail table. The view from the opposite side being a mirror image thereto.

FIG. 3 is a top plan view of a table according to a first embodiment of the invention in the form of a cocktail table.

FIG. 4 is a side elevational view of a table according to a second embodiment of the invention in the form of an end table. The view from each of the sides being a mirror image thereto.

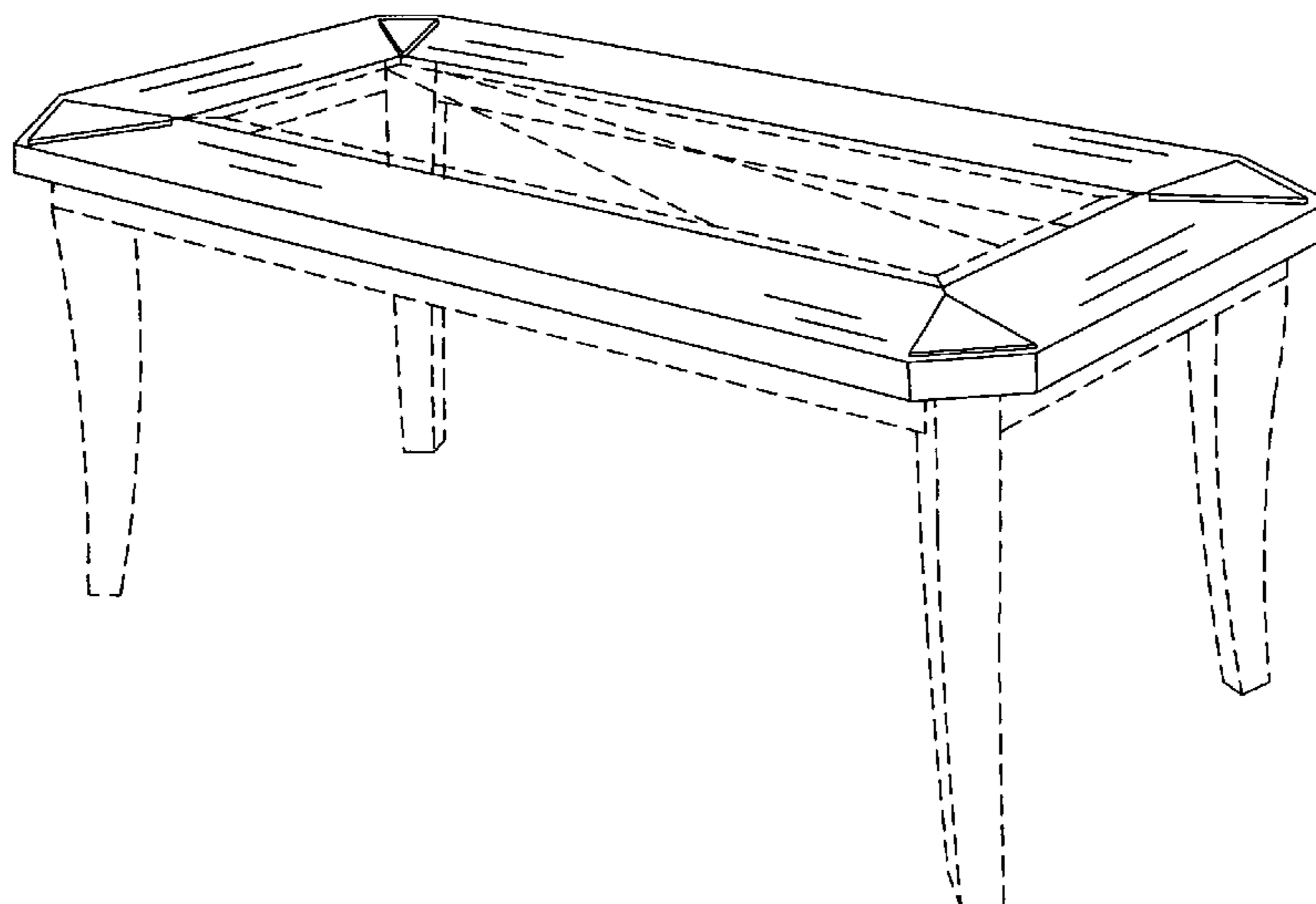
FIG. 5 is a top plan view of a table according to a second embodiment of the invention in the form of an end table.

FIG. 6 is a side elevational view of a table according to a third embodiment of the invention in the form of a sofa table. The view from the opposite side being a mirror image thereto; and,

FIG. 7 is a top plan view of a table according to a third embodiment of the invention in the form of a sofa table.

The portions of the figures shown in dashed lines are for illustrative purposes only and form no part of the claimed invention.

1 Claim, 7 Drawing Sheets



US D609,945 S

Page 2

U.S. PATENT DOCUMENTS

D529,733 S 10/2006 Domack et al.
D531,432 S 11/2006 Domack et al.
D544,729 S 6/2007 Everson
D552,888 S 10/2007 Everson
D553,397 S 10/2007 Everson
D562,598 S 2/2008 Domack et al.
D565,329 S 4/2008 Domack et al.
D565,867 S 4/2008 Domack et al.

OTHER PUBLICATIONS

Ashley Furniture Industries, Inc., T121-13 (A2), prior to Jan. 27, 2009.

Ashley Furniture Industries, Inc., T208-1 (A3), prior to Jan. 27, 2009.
Ashley Furniture Industries, Inc., T223-8 (A4), prior to Jan. 27, 2009.
Ashley Furniture Industries, Inc., T368-1 (A5), prior to Jan. 27, 2009.
Ashley Furniture Industries, Inc., T383-1 (A6), prior to Jan. 27, 2009.
Ashley Furniture Industries, Inc., T396-1 (A7), prior to Jan. 27, 2009.
Ashley Furniture Industries, Inc., T416-0 (A8), prior to Jan. 27, 2009.
Ashley Furniture Industries, Inc., T437-1 (A9), prior to Jan. 27, 2009.
Ashley Furniture Industries, Inc., T437-1 (A10), prior to Jan. 27, 2009.

* cited by examiner

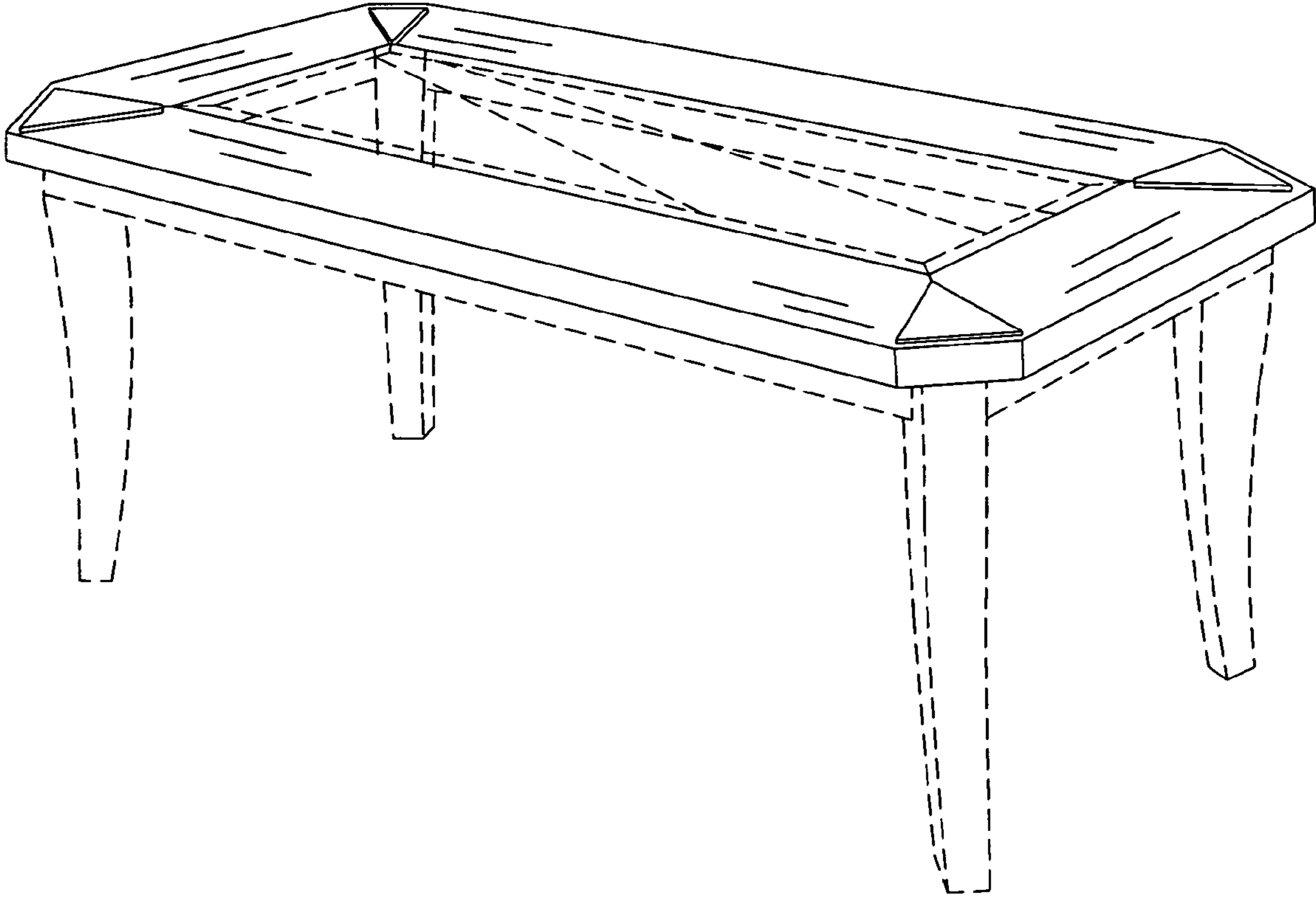


FIG. 1

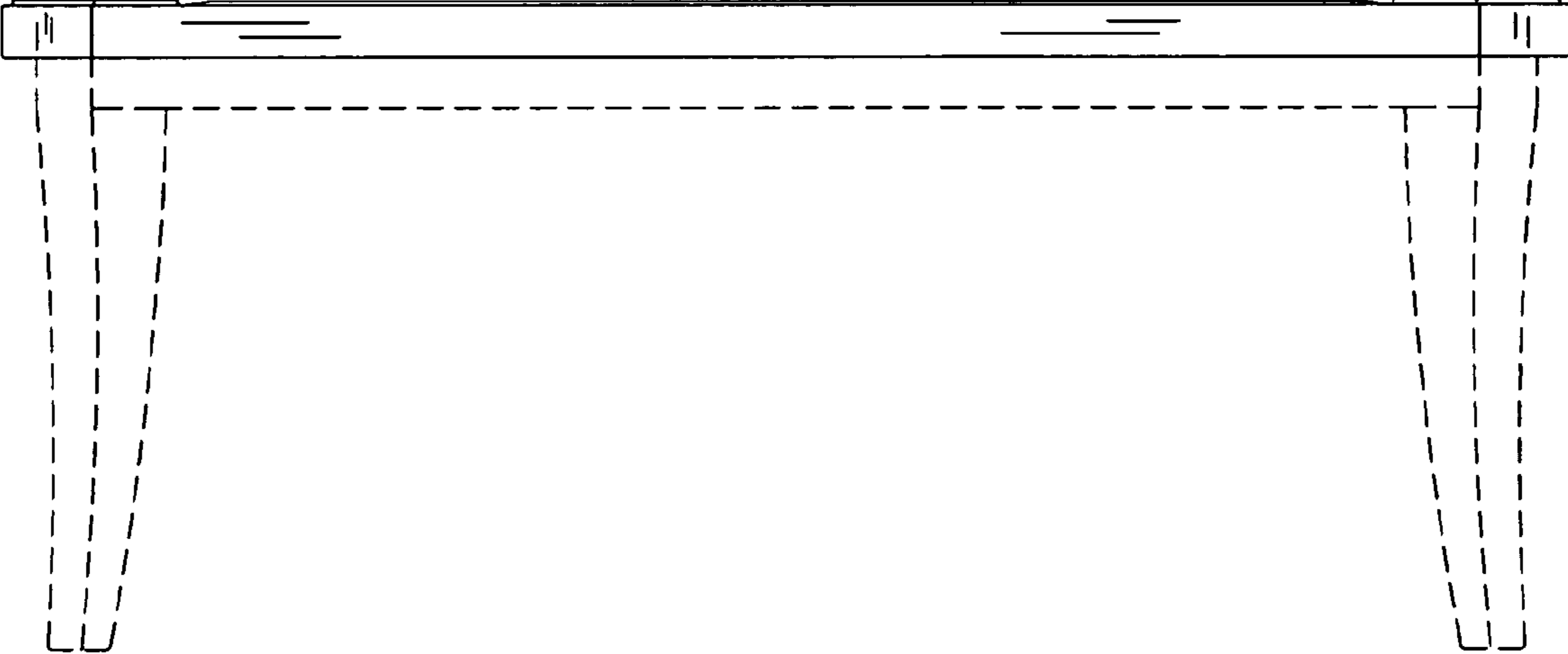


FIG. 2

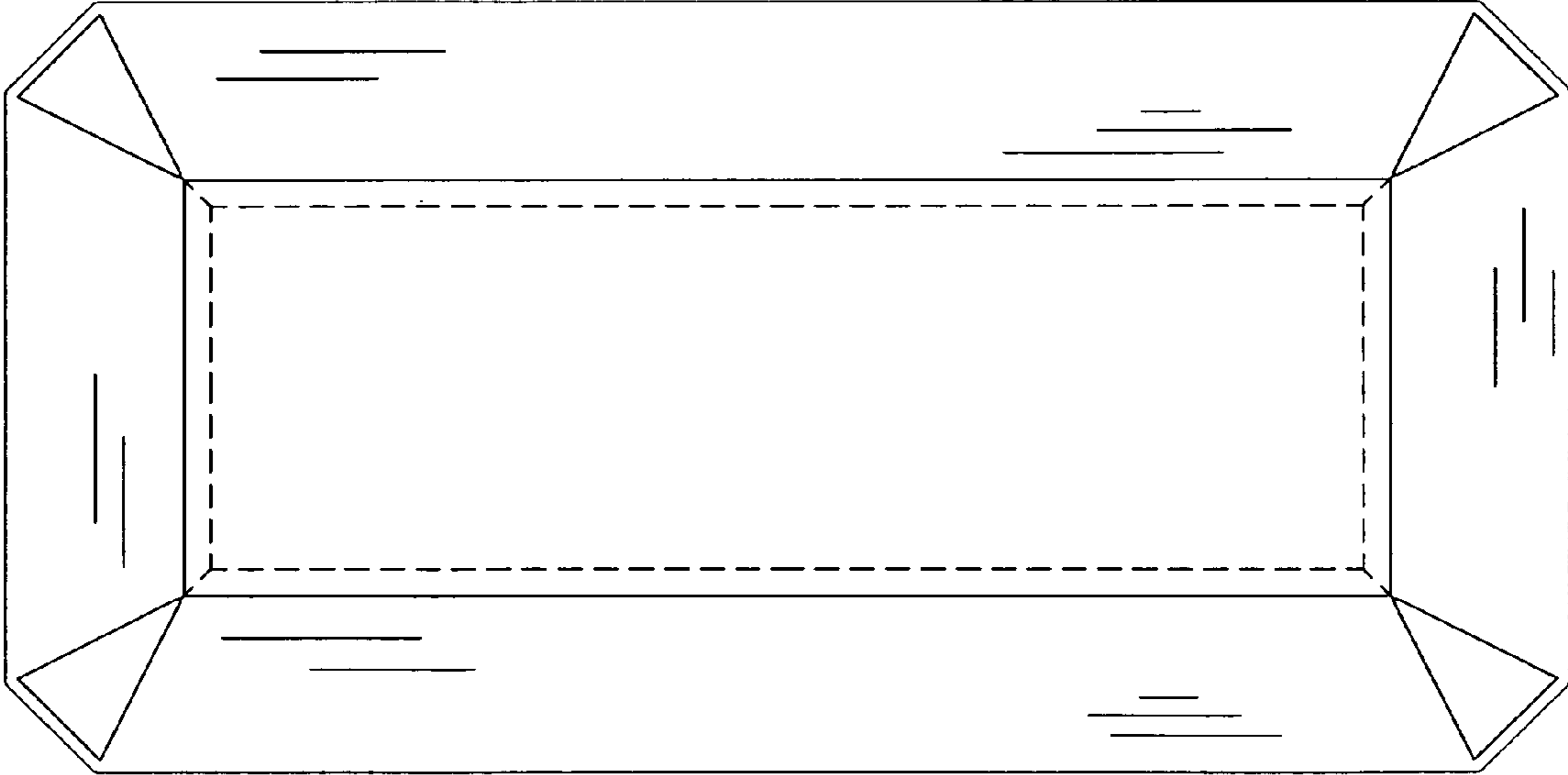


FIG. 3

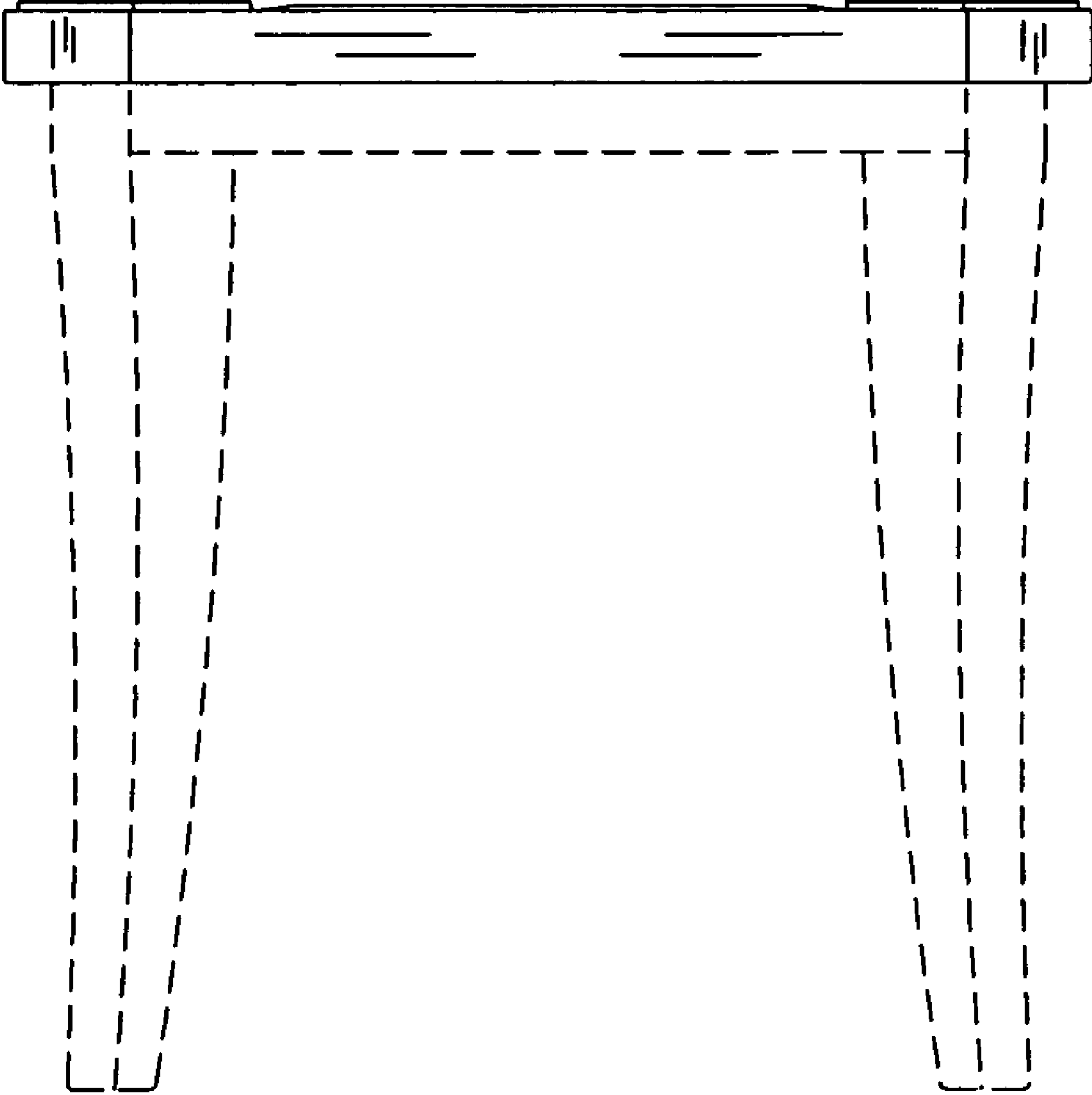


FIG. 4

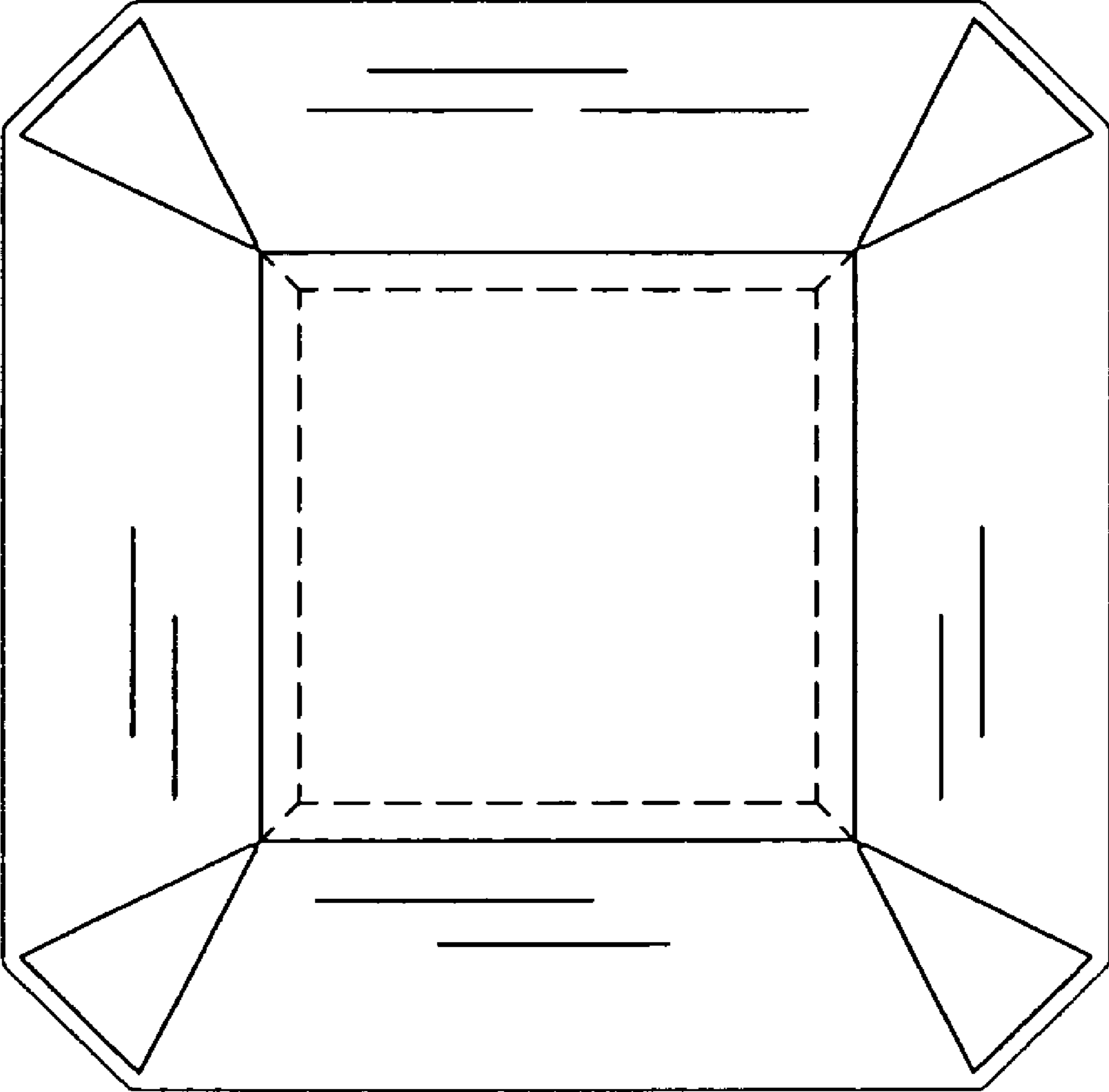


FIG. 5

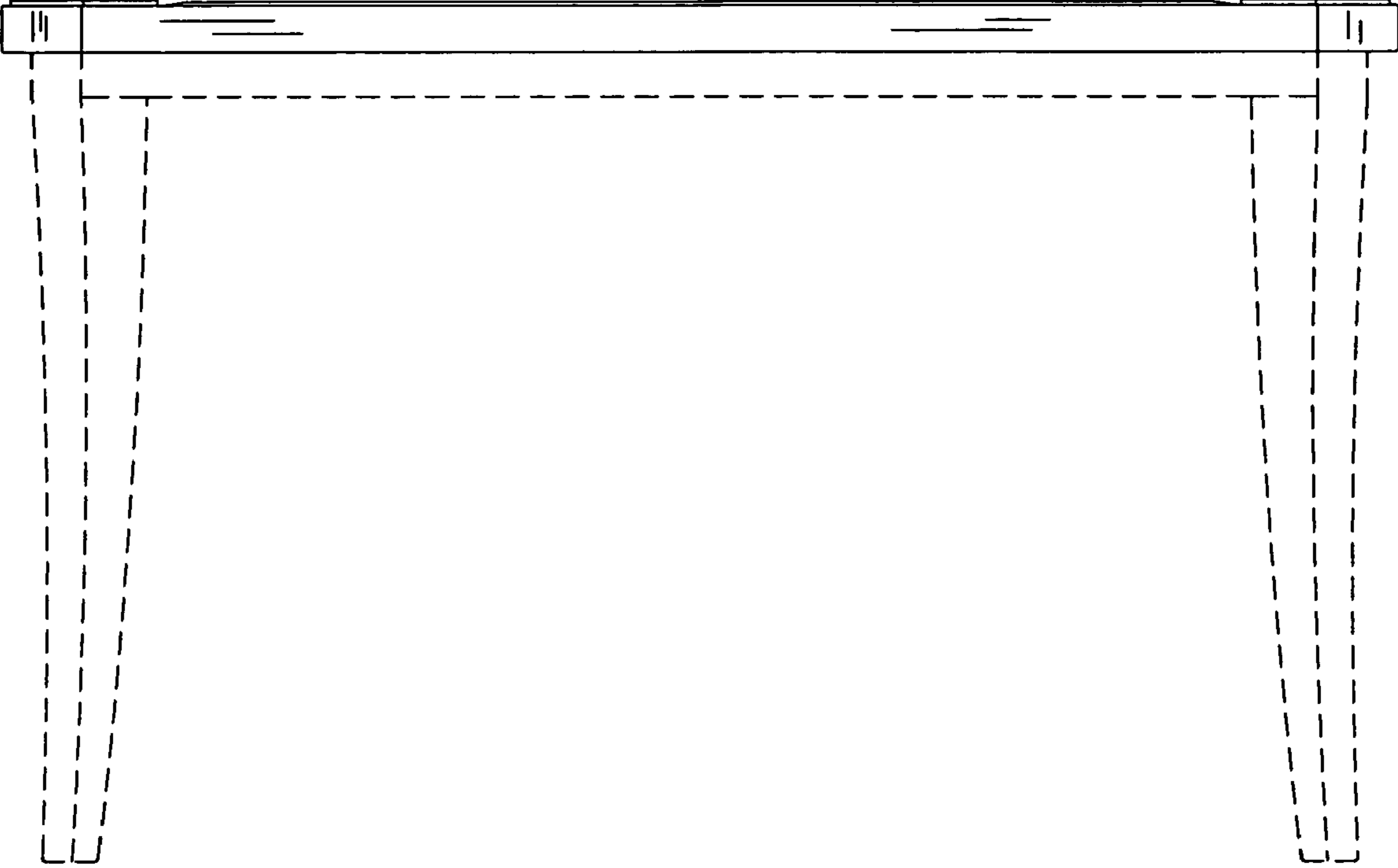


FIG. 6

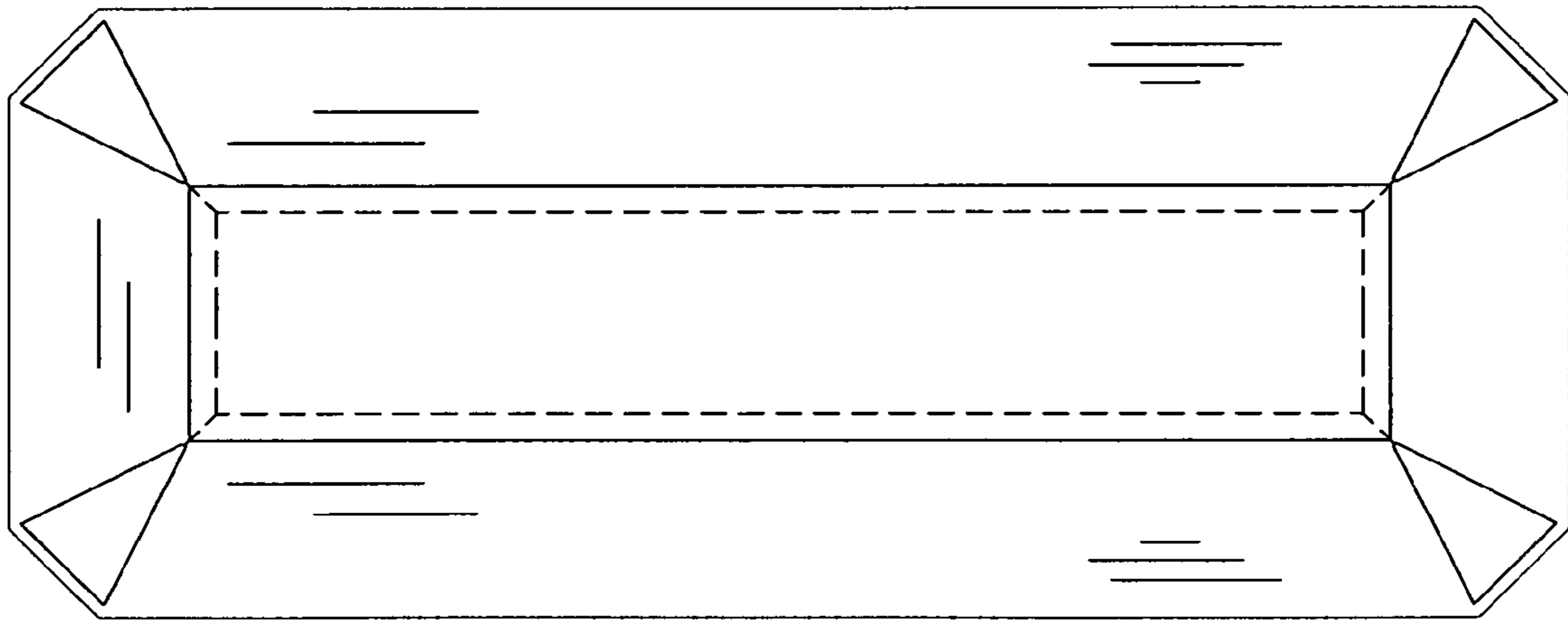


FIG. 7