



US00D609944S

(12) **United States Design Patent**
Kumazawa

(10) **Patent No.:** **US D609,944 S**

(45) **Date of Patent:** **** Feb. 16, 2010**

(54) **CHAIR SUPPORT**

(75) Inventor: **Taku Kumazawa**, Aichi-ken (JP)

(73) Assignee: **Aichi Co., Ltd.**, Aichi-ken (JP)

(**) Term: **14 Years**

(21) Appl. No.: **29/343,829**

(22) Filed: **Sep. 19, 2009**

(30) **Foreign Application Priority Data**

Mar. 19, 2009	(JP)	2009-006296
Mar. 19, 2009	(JP)	2009-006297
Aug. 4, 2009	(JP)	2009-017790

(51) **LOC (9) Cl.** **06-01**

(52) **U.S. Cl.** **D6/496**

(58) **Field of Classification Search** D6/334-336,
D6/356, 364, 365, 367, 374, 375, 376, 379,
D6/380, 495, 496, 499, 500-50; 297/4, 344.18,
297/445.1, 451.4, 452.12, 452.14

See application file for complete search history.

(56) **References Cited**

U.S. PATENT DOCUMENTS

3,567,278 A * 3/1971 Barecki et al. 297/452.12

(Continued)

FOREIGN PATENT DOCUMENTS

JP	1028760 S	10/1998
JP	1173880 S	3/2003
JP	1209254 S	4/2004
JP	1229513 S	12/2004

OTHER PUBLICATIONS

Okamura Corporation, "Advertisement of LATUS-Tres high-back type chair", "Okamura 2008 Product Catalog", 2008, p. 591.

Primary Examiner—Mimosa De

(74) *Attorney, Agent, or Firm*—Vincent K. Gustafson;
Intellectual Property/Technology Law

(57) **CLAIM**

The ornamental design for a chair support, as shown and described.

DESCRIPTION

FIG. 1 is a first perspective view of a chair support showing my new design, with the chair support in a first (forward) position, and showing a seat portion and a seat mounting portion as environmental structure;

FIG. 2 is a second perspective view of the chair support in the first position, and showing a seat portion and a seat mounting portion as environmental structure;

FIG. 3 is a front elevation view of the chair support in the first position, and showing a seat portion and a seat mounting portion as environmental structure;

FIG. 4 is a rear elevation view of the chair support in the first position, and showing a seat portion and a seat mounting portion as environmental structure;

FIG. 5 is a left side elevation view of the chair support in the first position, and showing a seat portion and a seat mounting portion as environmental structure;

FIG. 6 is a right side elevation view of the chair support in the first position, and showing a seat portion and a seat mounting portion as environmental structure;

FIG. 7 is a cross-sectional view of the chair support in the first position, taken along section lines "7-7" provided in FIG. 5;

FIG. 8 is a cross-sectional view of the chair support in the first position, taken along section lines "8-8" provided in FIG. 5;

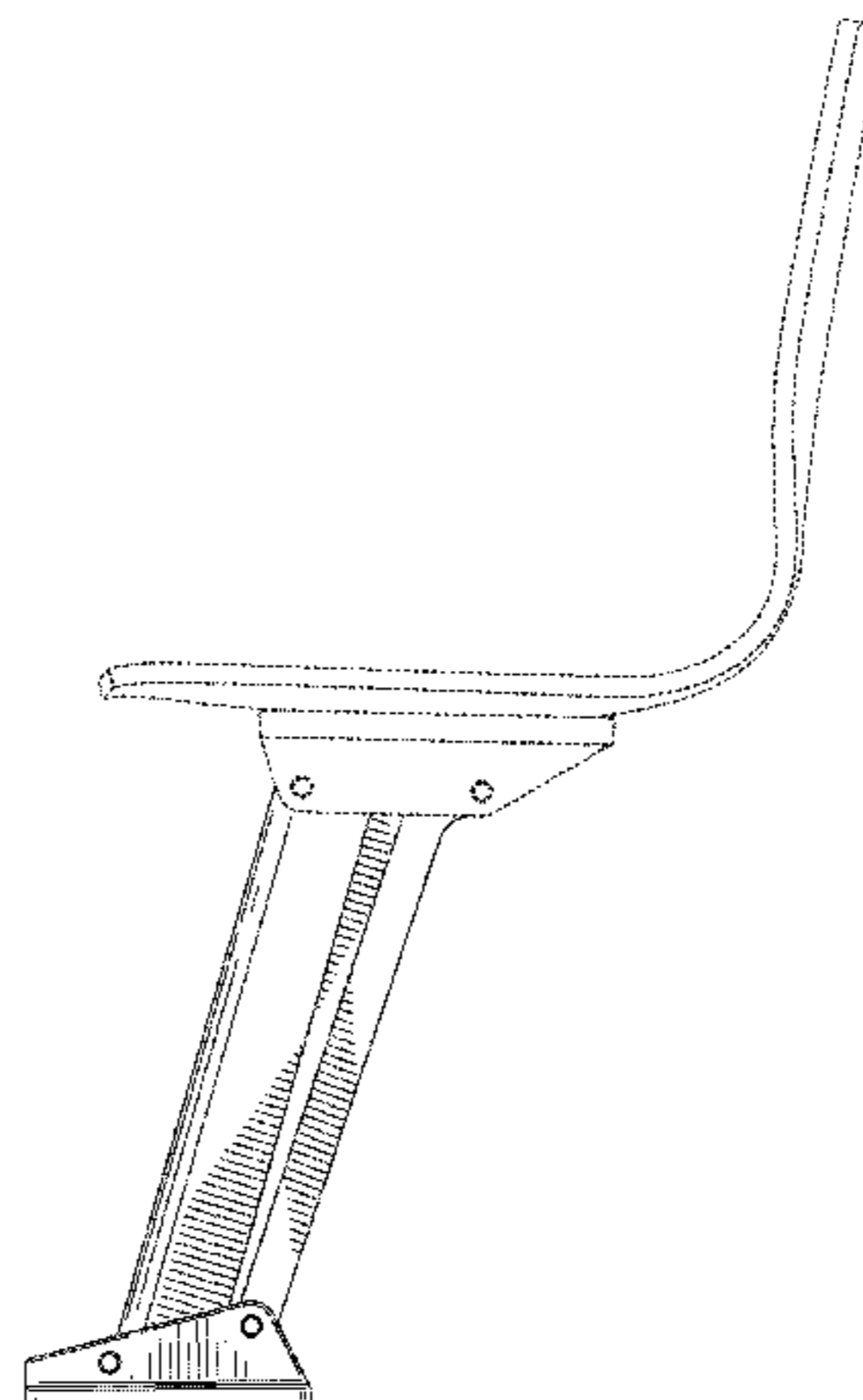
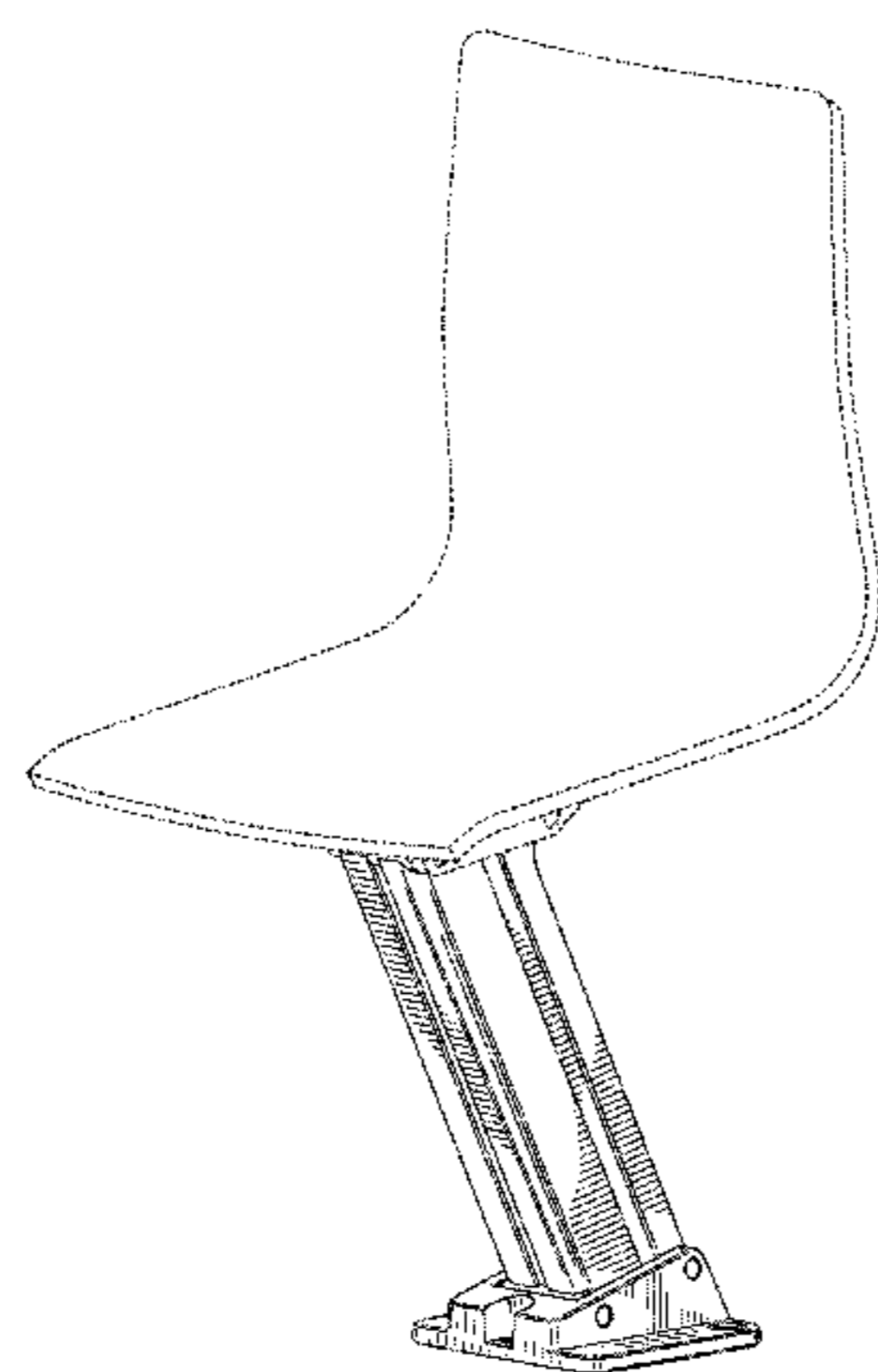
FIG. 9 is a top plan view of the chair support in the first position, and showing a seat portion as environmental structure;

FIG. 10 is a bottom plan view of the chair support in the first position, and showing a seat portion and a seat mounting portion as environmental structure; and,

FIG. 11 is a left side elevation view of the chair support in a second (rearward) position, and showing a seat portion and a seat mounting portion as environmental structure.

All structures indicated in broken lines are not part of the design sought to be patented.

1 Claim, 11 Drawing Sheets



US D609,944 S

Page 2

U.S. PATENT DOCUMENTS

D226,255 S *	2/1973	Williamson	D6/496	D335,037 S *	4/1993	Montague et al.	D6/364
D230,786 S *	3/1974	Barecki	D6/356	D341,259 S *	11/1993	Mele	D6/364
RE29,522 E *	1/1978	Barecki	297/451.4	D349,820 S *	8/1994	Schaevitz	D6/364
D252,482 S *	7/1979	Blodee	D6/365	D355,981 S *	3/1995	Kim	D6/364
D331,343 S *	12/1992	VanStaveren	D6/495				

* cited by examiner

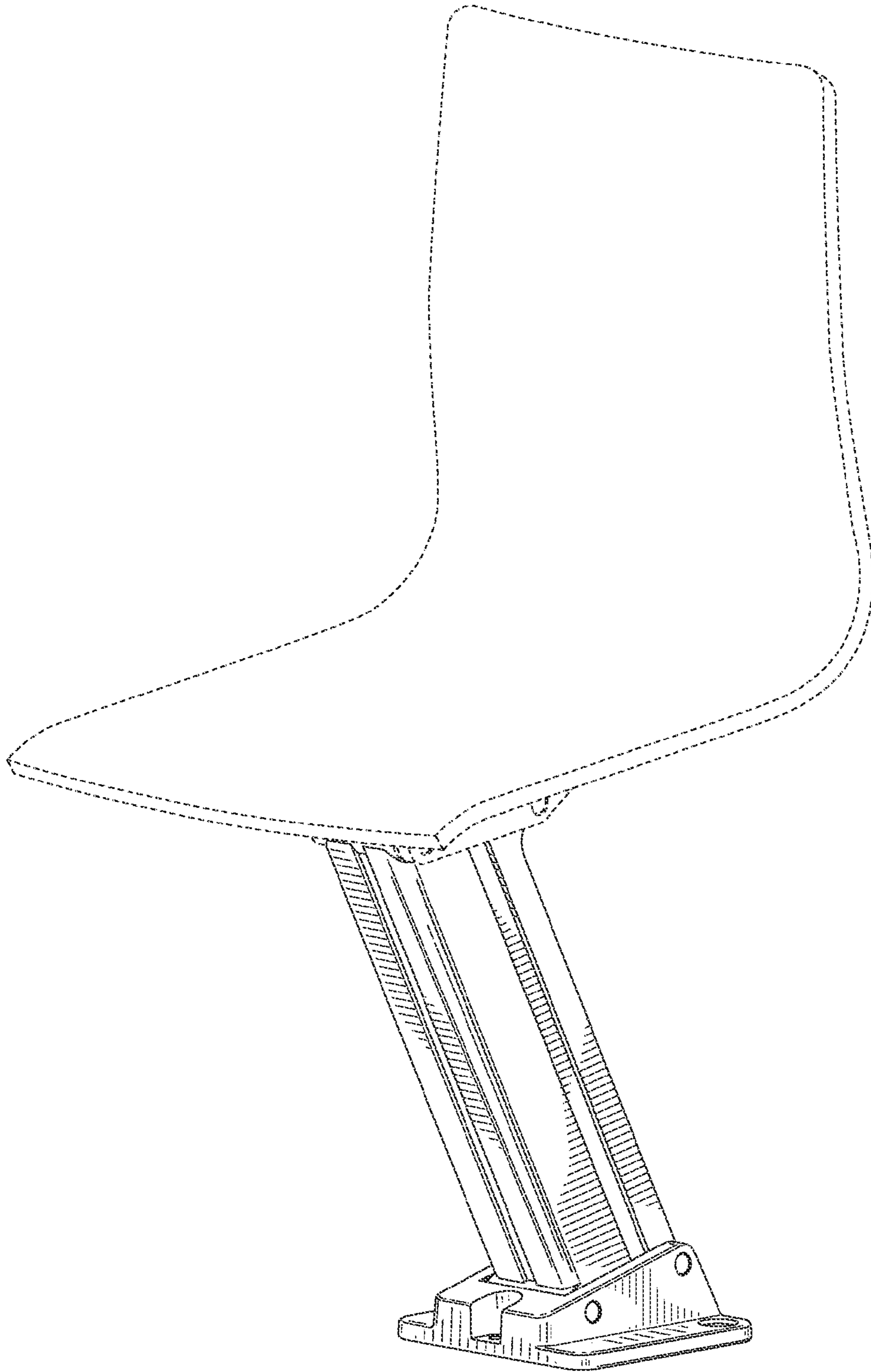


FIG. 1

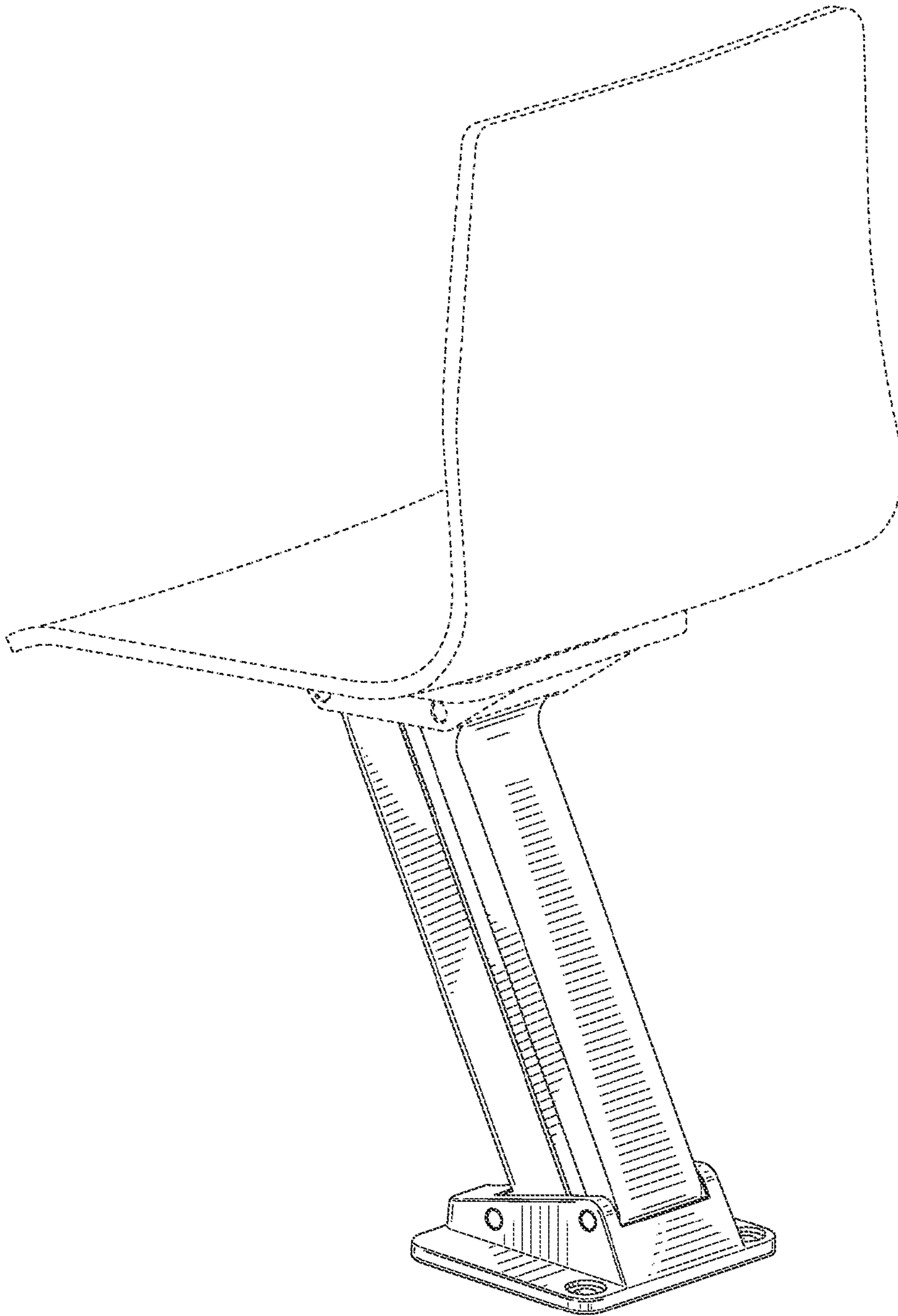


FIG. 2

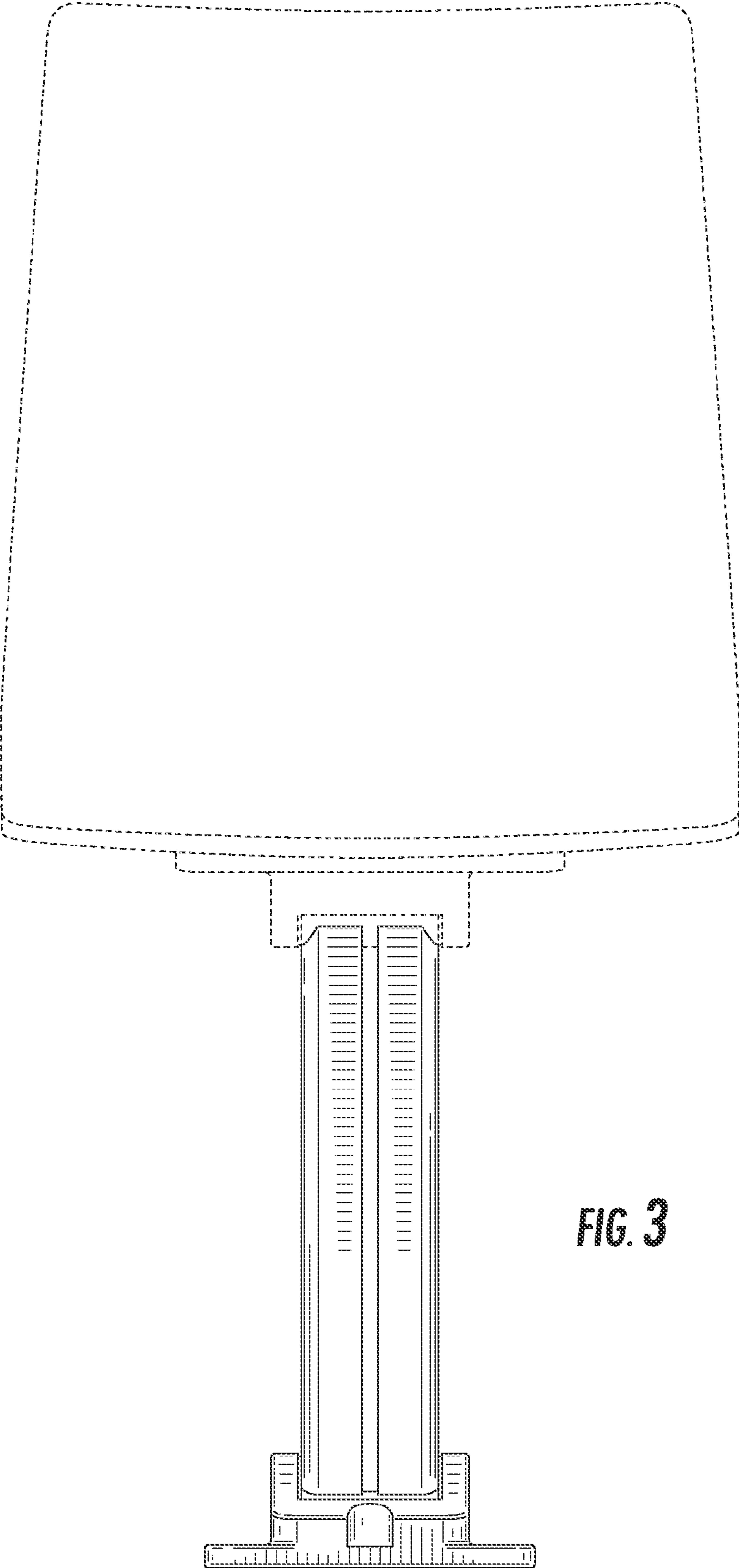


FIG. 3

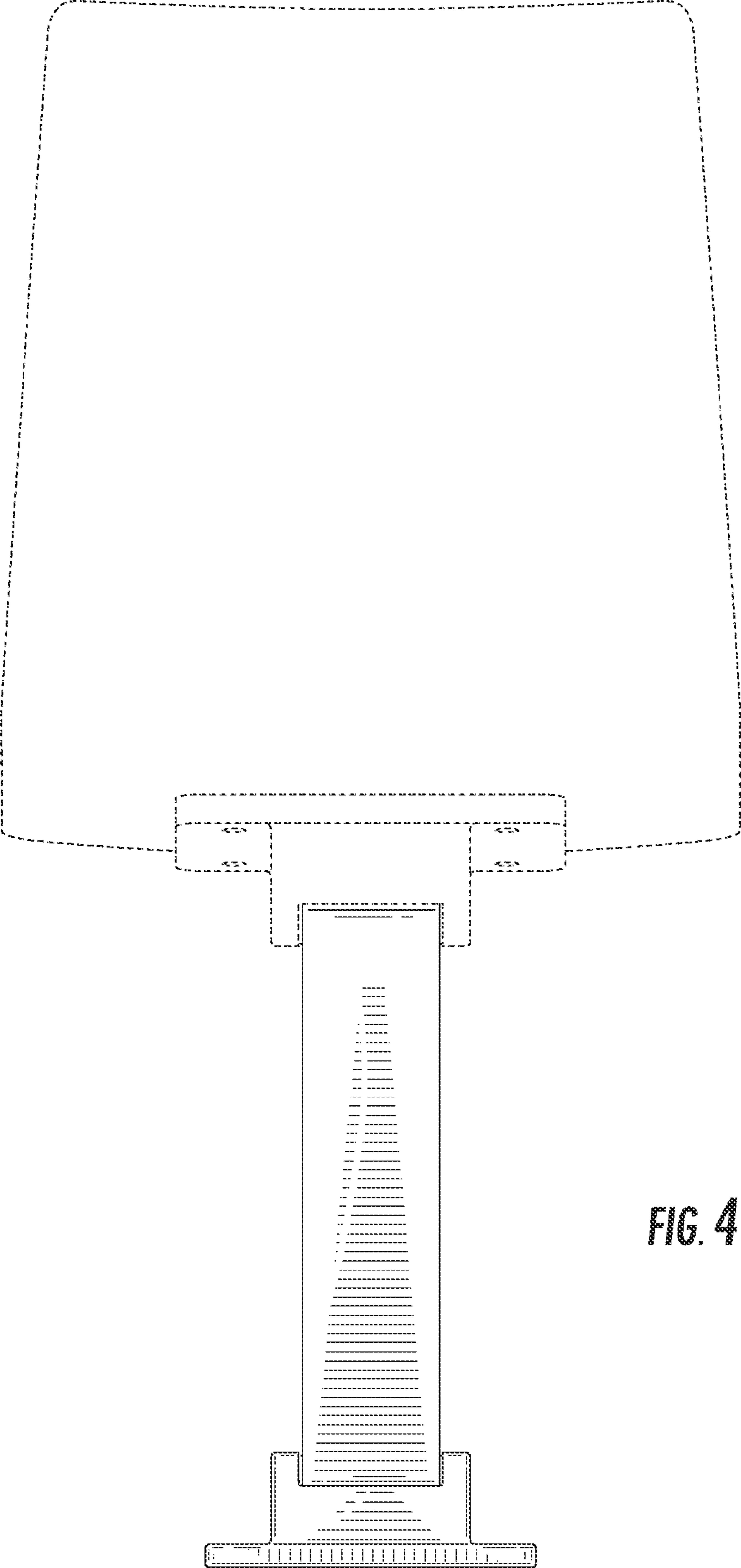


FIG. 4

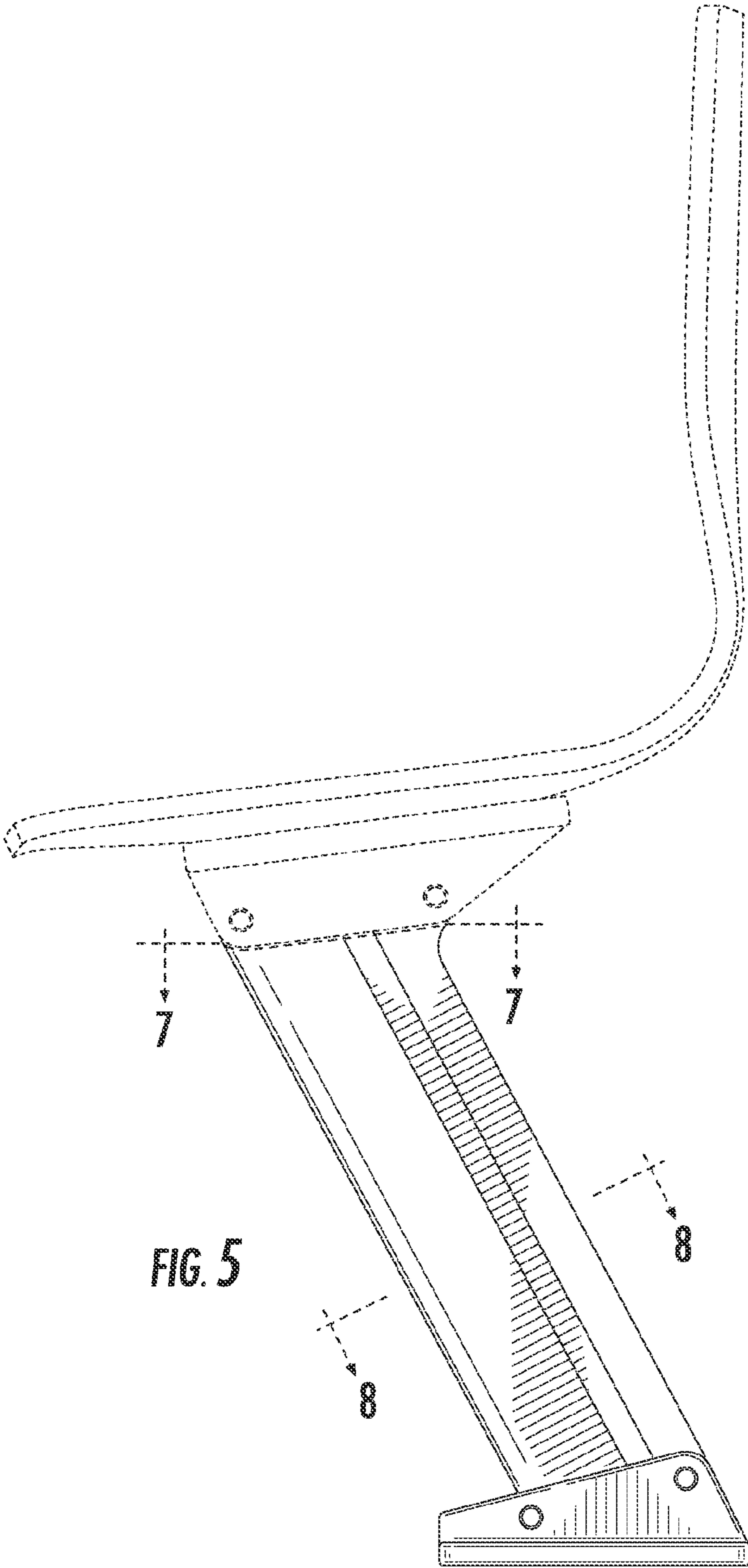


FIG. 5

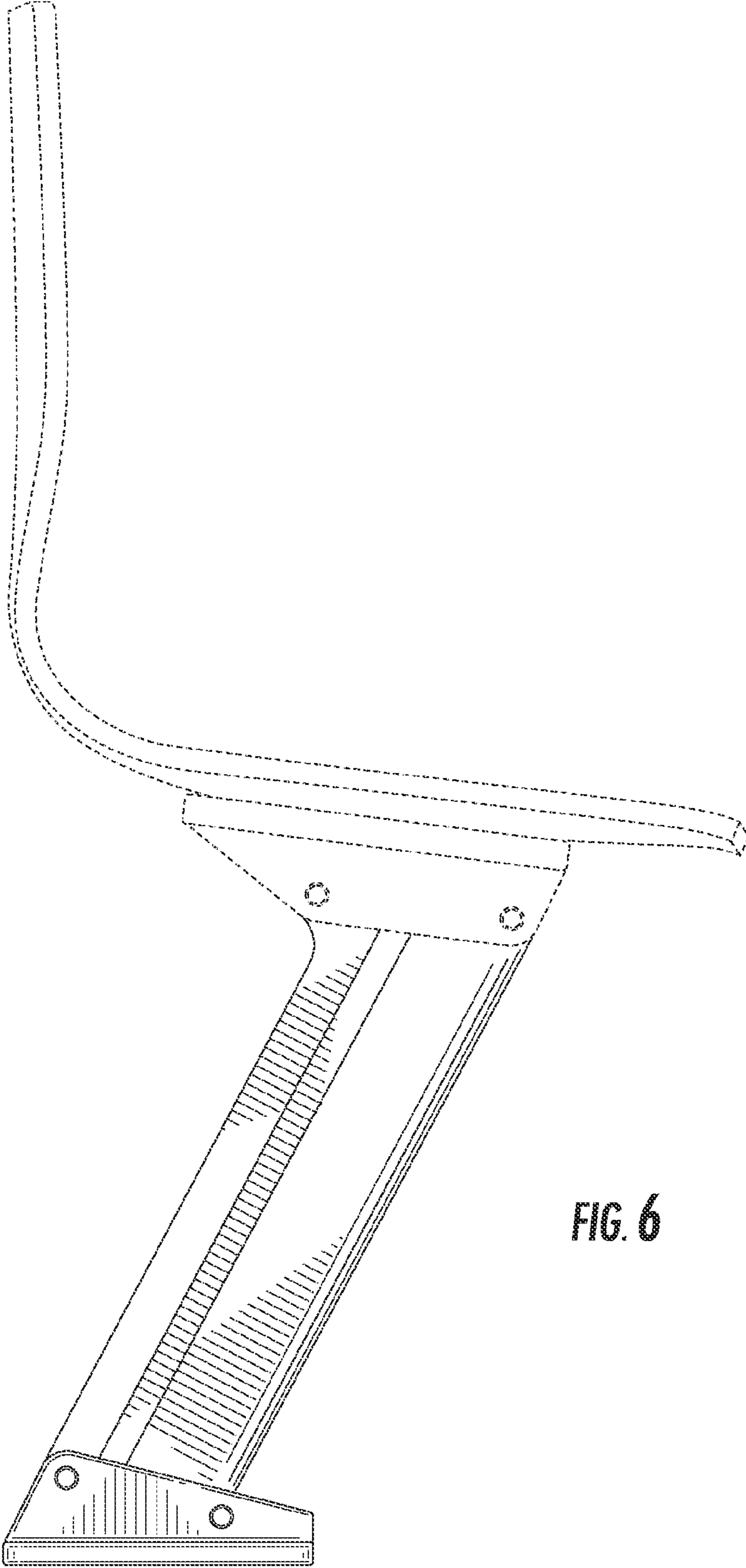


FIG. 6

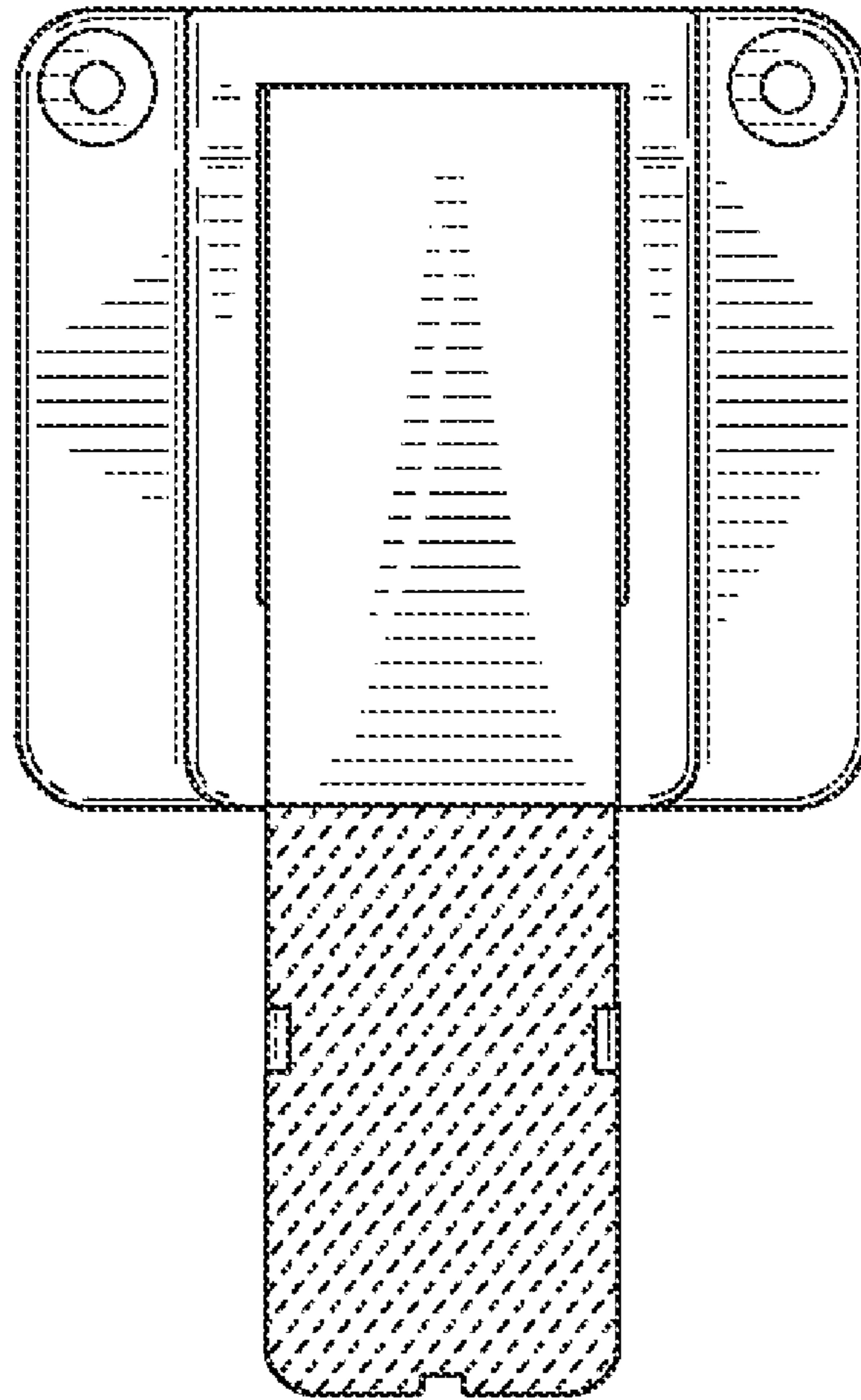


FIG. 7

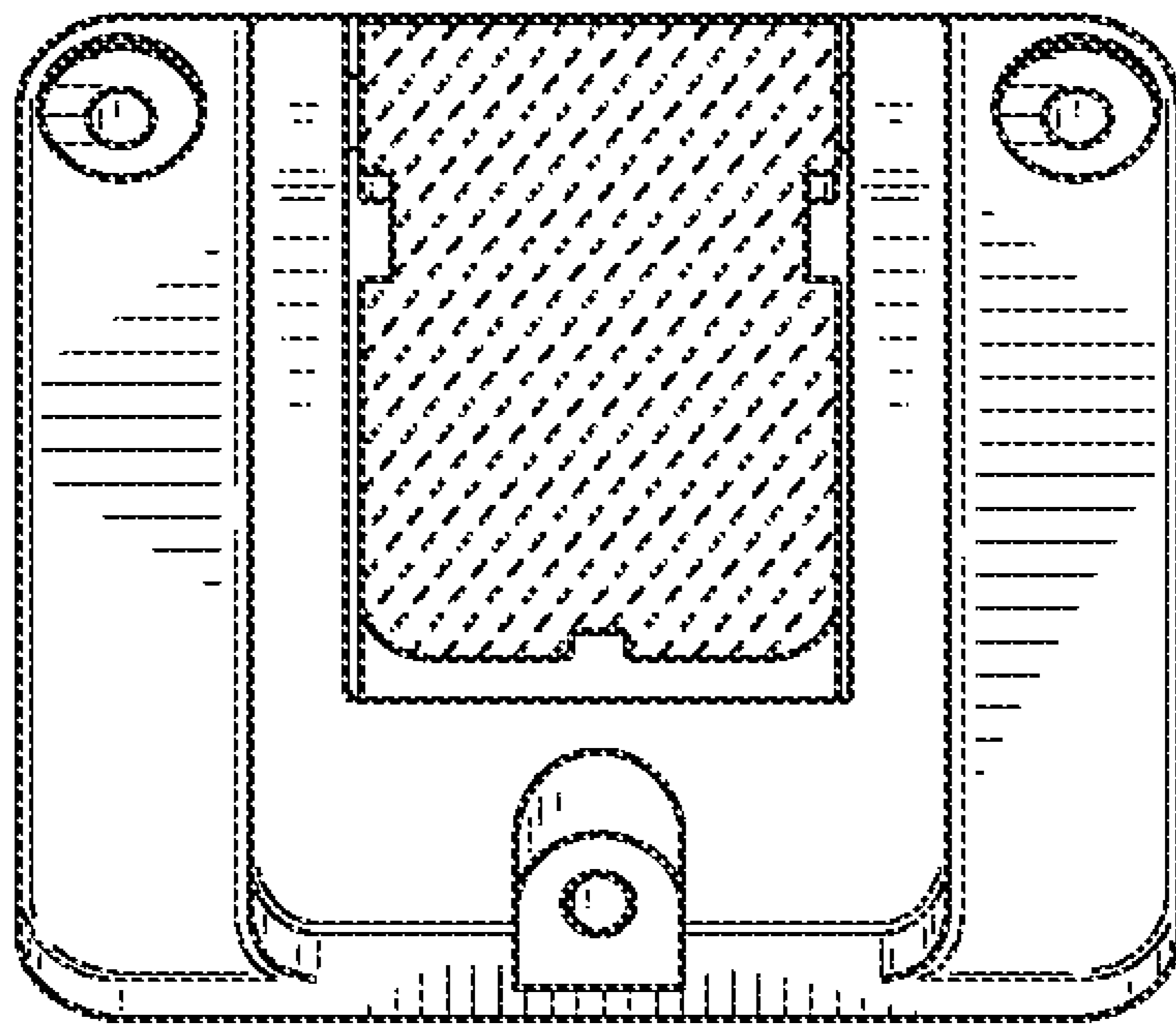


FIG. 8

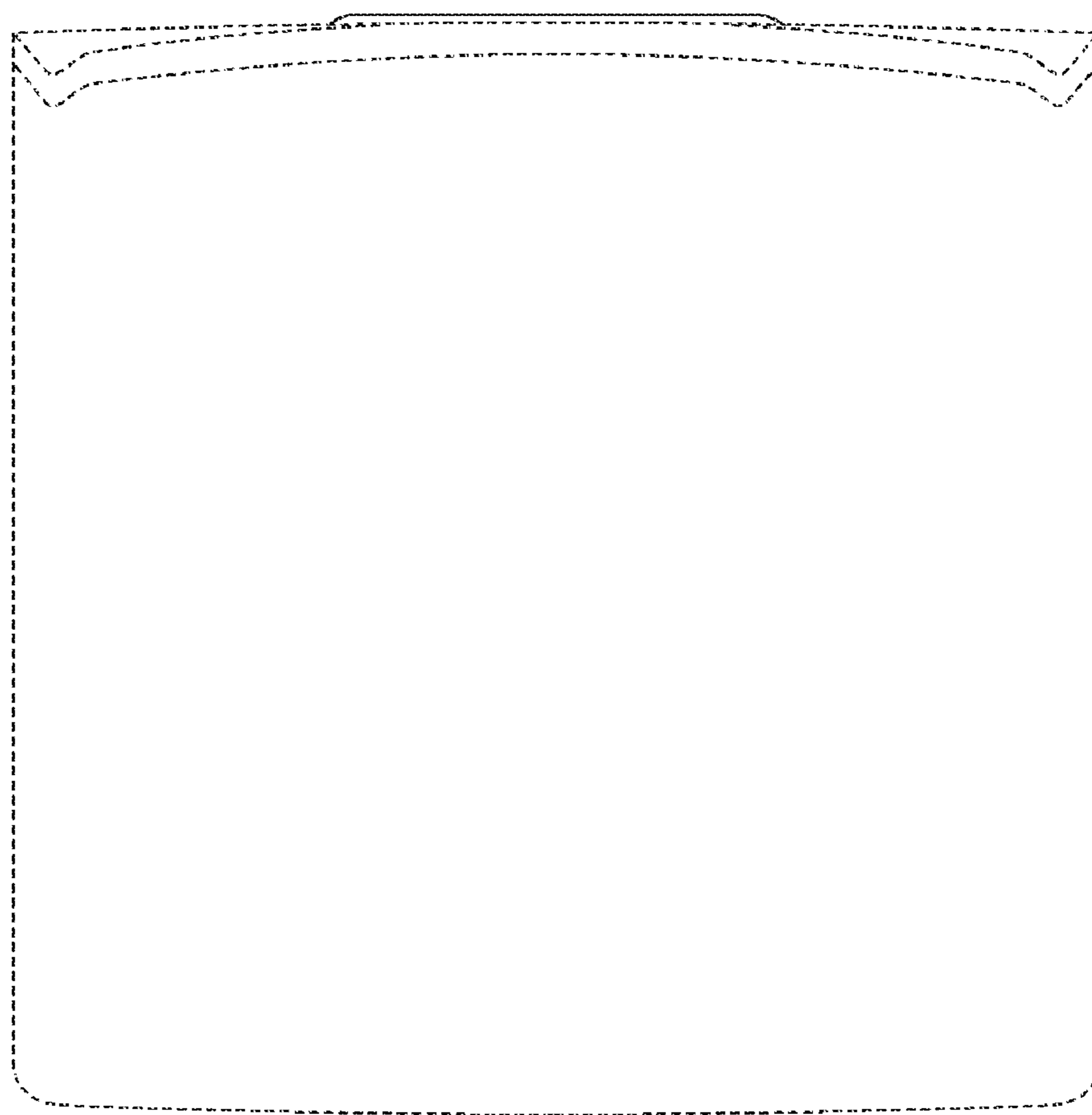


FIG. 9

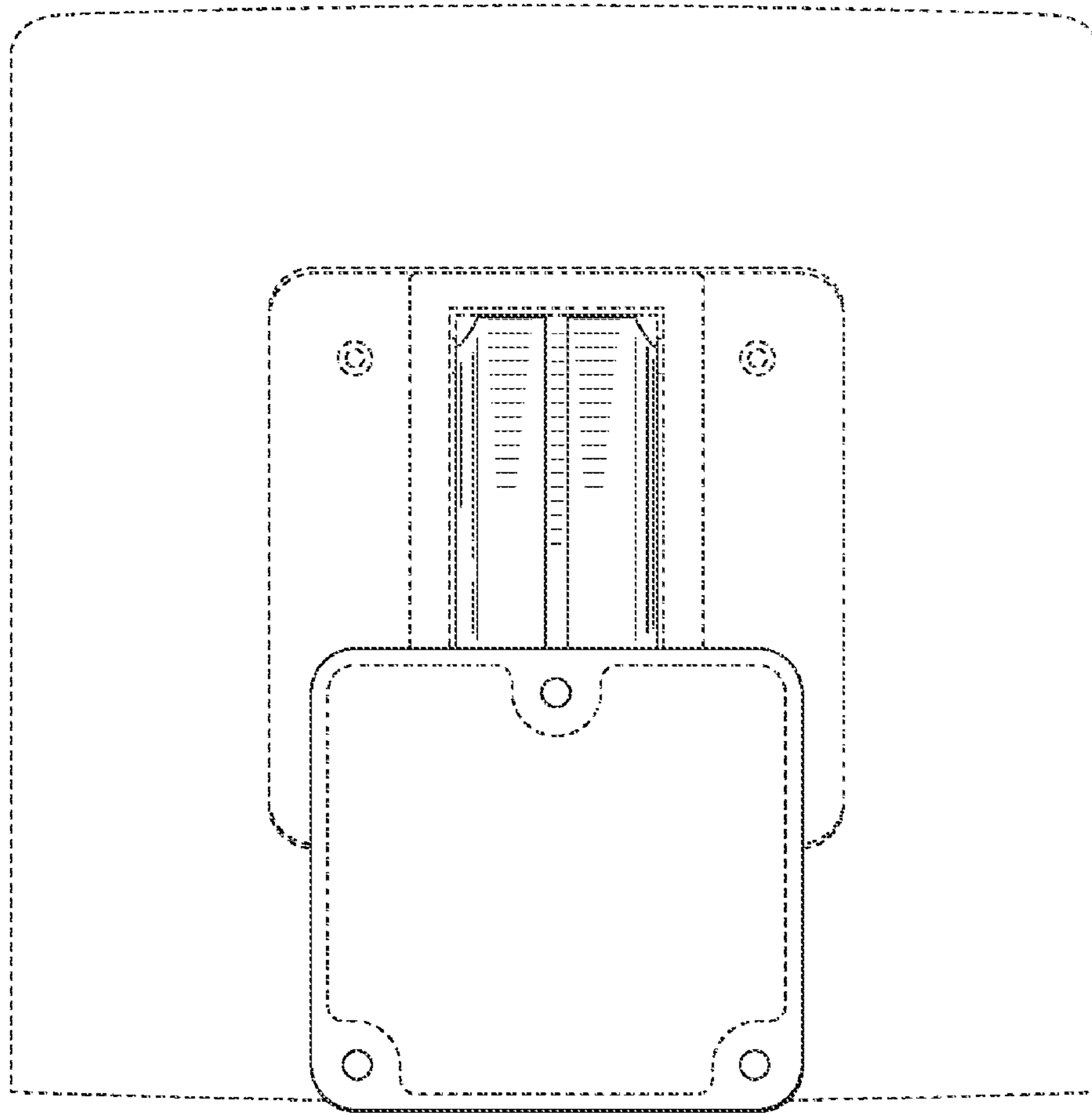


FIG. 10

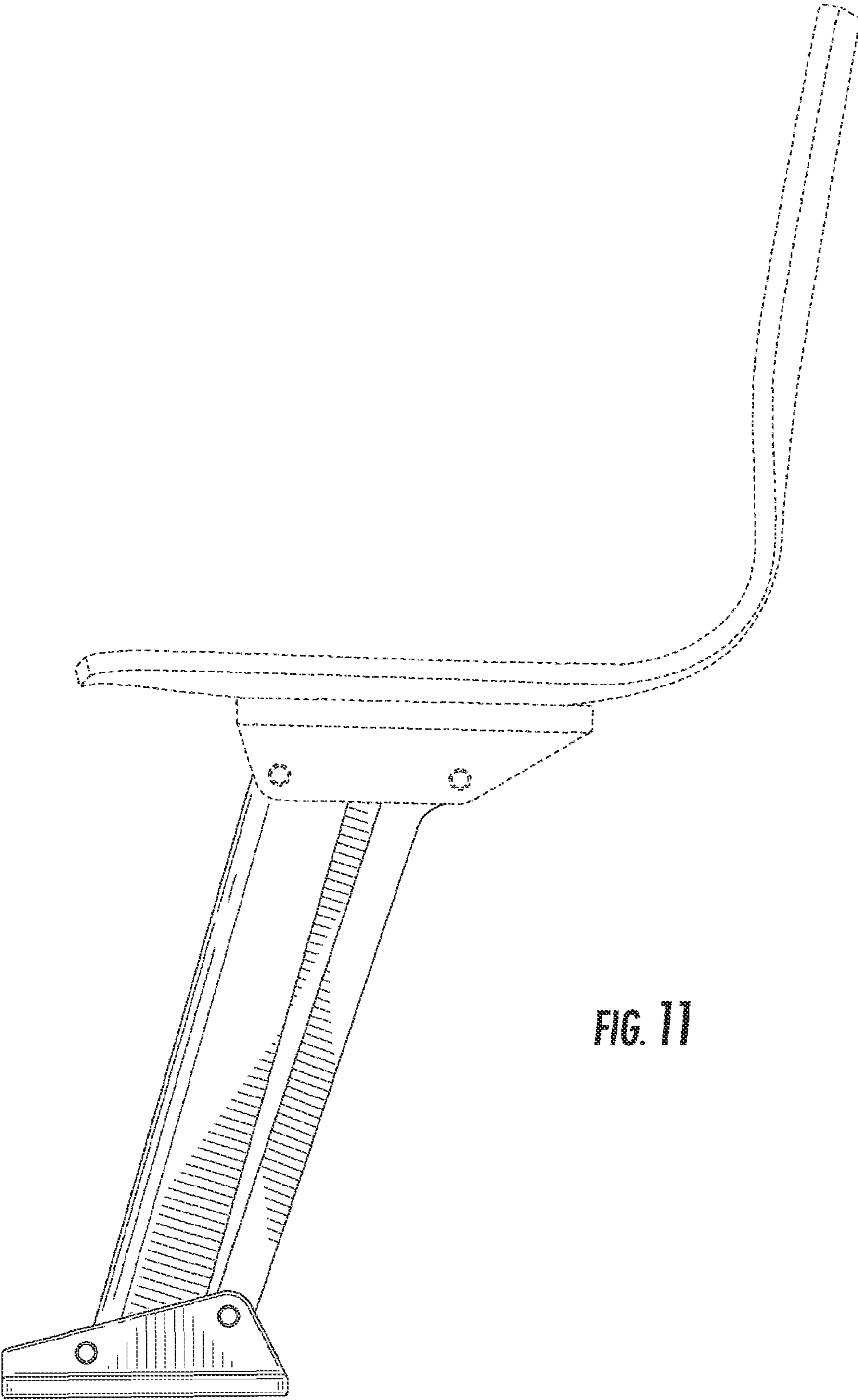


FIG. 11