



US00D609943S

(12) **United States Design Patent**
Kinoshita et al.

(10) **Patent No.:** **US D609,943 S**

(45) **Date of Patent:** **** Feb. 16, 2010**

(54) **DESK**

(75) Inventors: **Yojiro Kinoshita**, Osaka (JP);
Yoshimasa Kato, Osaka (JP); **Hiromi Iwamuro**, Osaka (JP); **Hisashi Ejima**, Osaka (JP); **Takuya Kitamura**, Osaka (JP)

(73) Assignee: **Kokuyo Co., Ltd.**, Osaka (JP)

(**) Term: **14 Years**

(21) Appl. No.: **29/321,342**

(22) Filed: **Jul. 15, 2008**

(30) **Foreign Application Priority Data**

Jan. 15, 2008 (JP) 2008-000605

(51) **LOC (9) Cl.** **06-03**

(52) **U.S. Cl.** **D6/484**

(58) **Field of Classification Search** D6/480-489,
D6/495-499, 439-431, 422, 423, 425, 427,
D6/428, 477-479; 108/150, 153.1, 155,
108/156, 161, 115, 118, 131, 129, 132, 120,
108/50.01, 50.02, 152; 248/188, 188.1, 188.8;
312/194, 195

See application file for complete search history.

(56) **References Cited**

U.S. PATENT DOCUMENTS

D183,361 S *	8/1958	McCarthy	D6/426
3,366,431 A *	1/1968	Hanson	312/208.1
D225,046 S *	11/1972	Nance	D6/423
D275,352 S *	9/1984	Foyle	D6/482
D294,440 S *	3/1988	Werner	D6/422
D370,571 S *	6/1996	Newhouse et al.	D6/429
D379,887 S *	6/1997	Muller-Deisig et al.	D6/484
D399,077 S *	10/1998	Lepper et al.	D6/484
D405,991 S *	2/1999	Kramer et al.	D6/484
D526,812 S *	8/2006	Chen	D6/425
D539,059 S *	3/2007	Vander Park	D6/484

D539,568 S * 4/2007 Vander Park D6/484

* cited by examiner

Primary Examiner—Janice E Seeger

(74) *Attorney, Agent, or Firm*—Dennis R. Haszko

(57) **CLAIM**

The ornamental design for a desk, as shown and described.

DESCRIPTION

FIG. 1 is a front perspective view of the desk showing the design;

FIG. 2 is a front elevation view thereof, the rear elevation view being a mirror image;

FIG. 3 is a sectional view taken along the section line 3—3 of FIG. 2;

FIG. 4 is a sectional view taken along the section line 4—4 of FIG. 2;

FIG. 5 is a sectional view taken along the section line 5—5 of FIG. 2;

FIG. 6 is a top plan view thereof;

FIG. 7 is a bottom plan view thereof;

FIG. 8 is a right elevation view thereof, the left elevation view being a mirror image in a standard configuration;

FIG. 9 is a sectional view taken along the section line 9—9 of FIG. 8, in which only the sectioned components are shown;

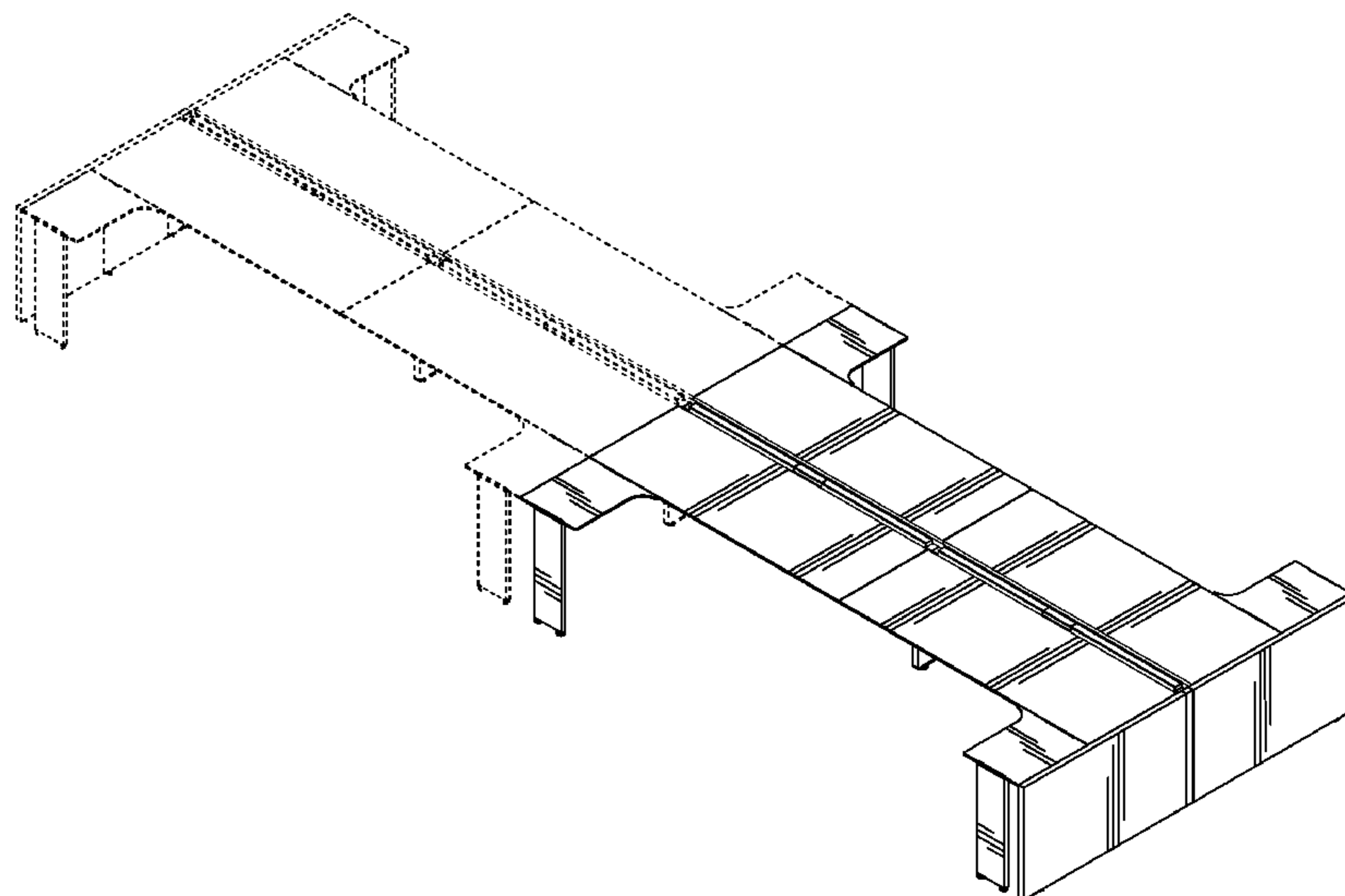
FIG. 10 is an expanded partial view of the desk;

FIG. 11 is a top plan view showing the desk in a modified arrangement, in which the side table is in an alternate position to that shown in FIGS. 1 to 10; and,

FIG. 12 is a top elevation view showing the desk in a modified arrangement, in which the side table is in an alternate position to that shown in FIGS. 1 to 10.

The broken lines are for environmental purposes only and form no part of the claimed design.

1 Claim, 11 Drawing Sheets



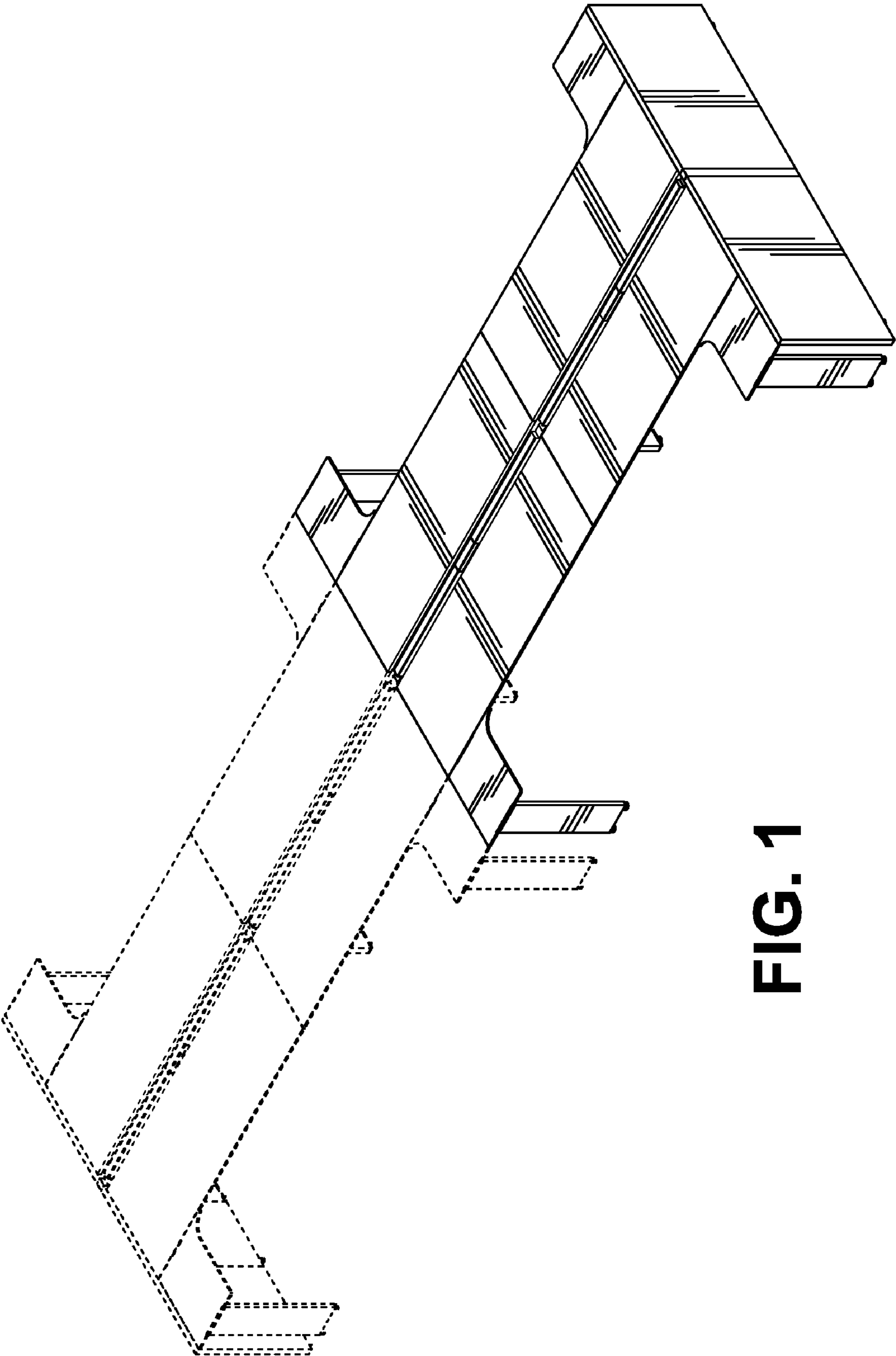


FIG. 1

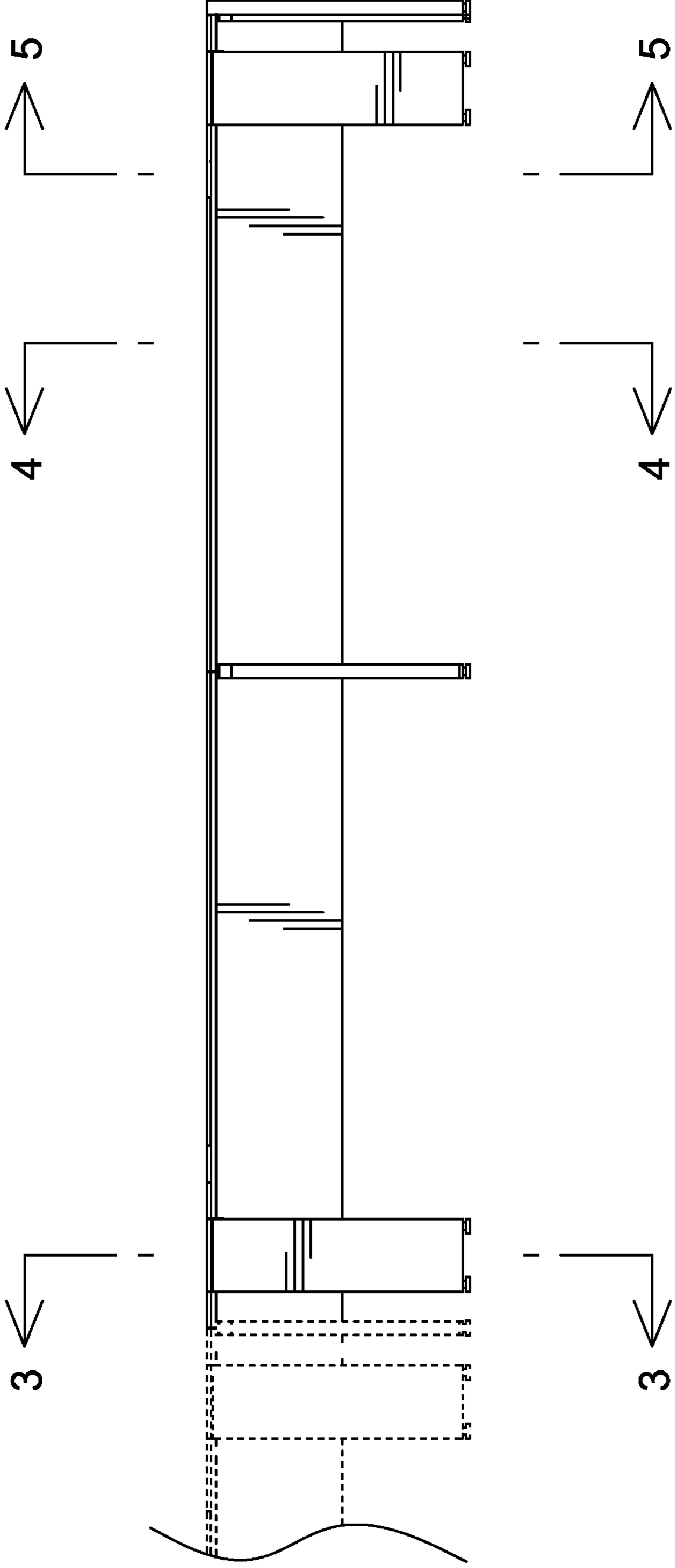


FIG. 2

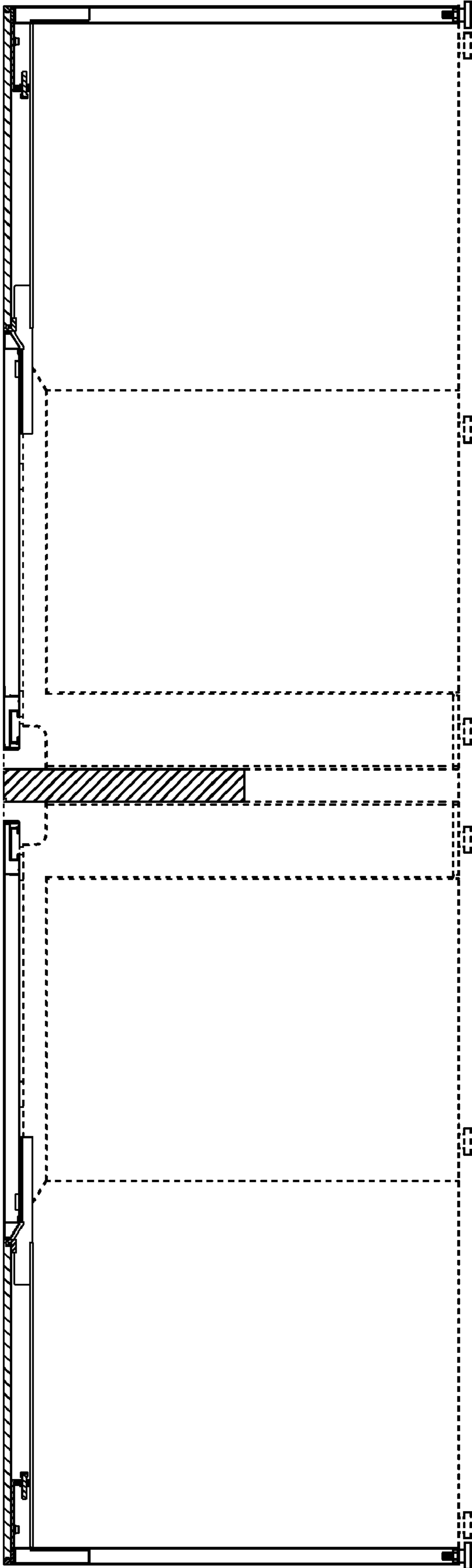


FIG. 3

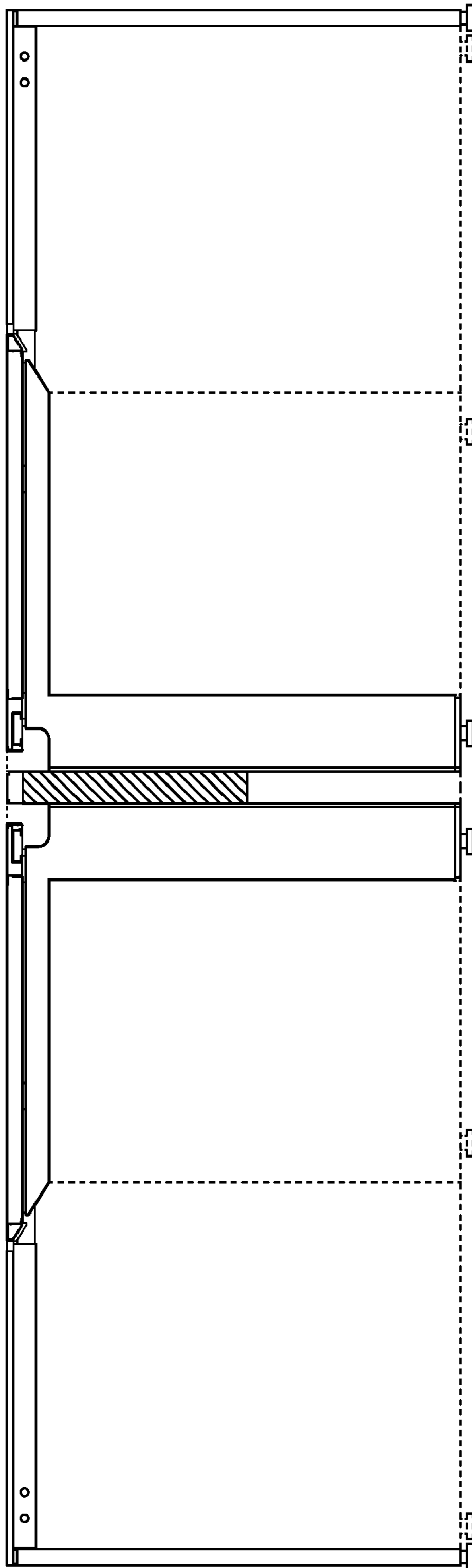


FIG. 4

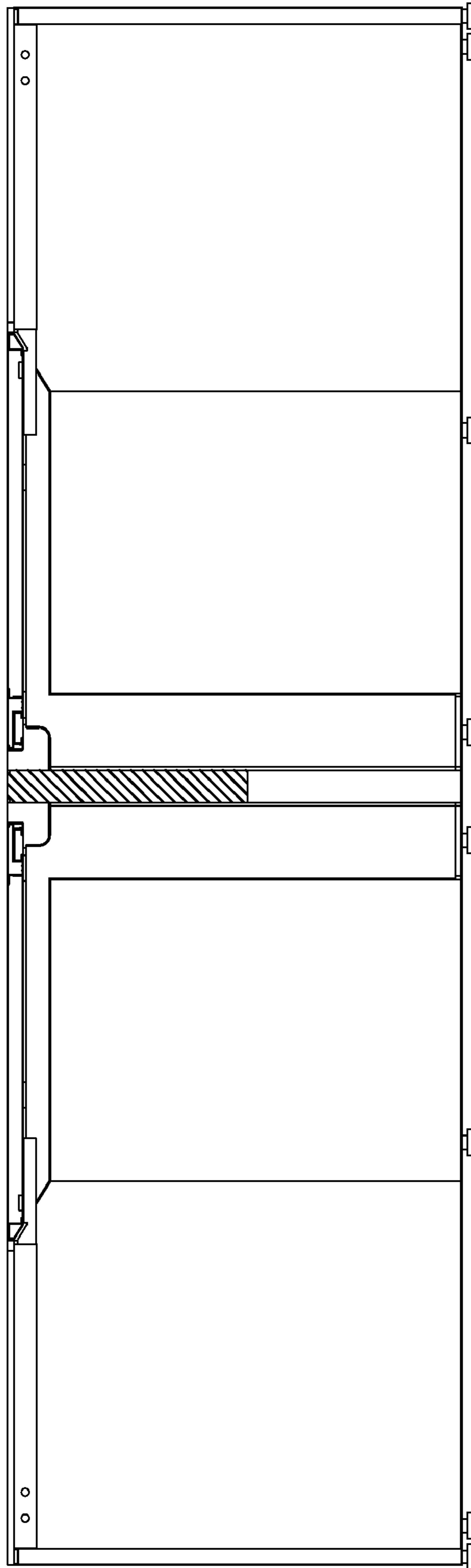


FIG. 5

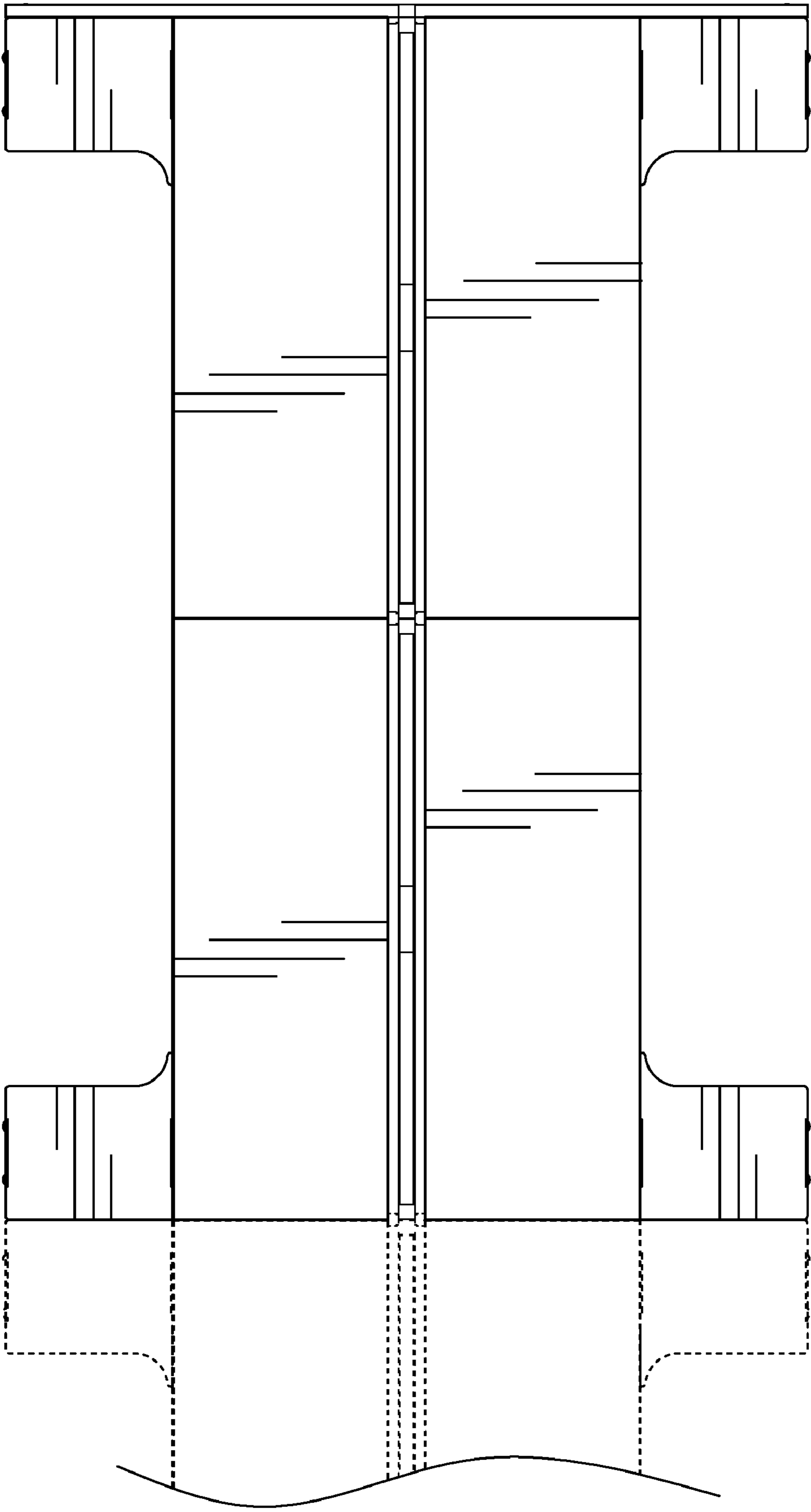


FIG. 6

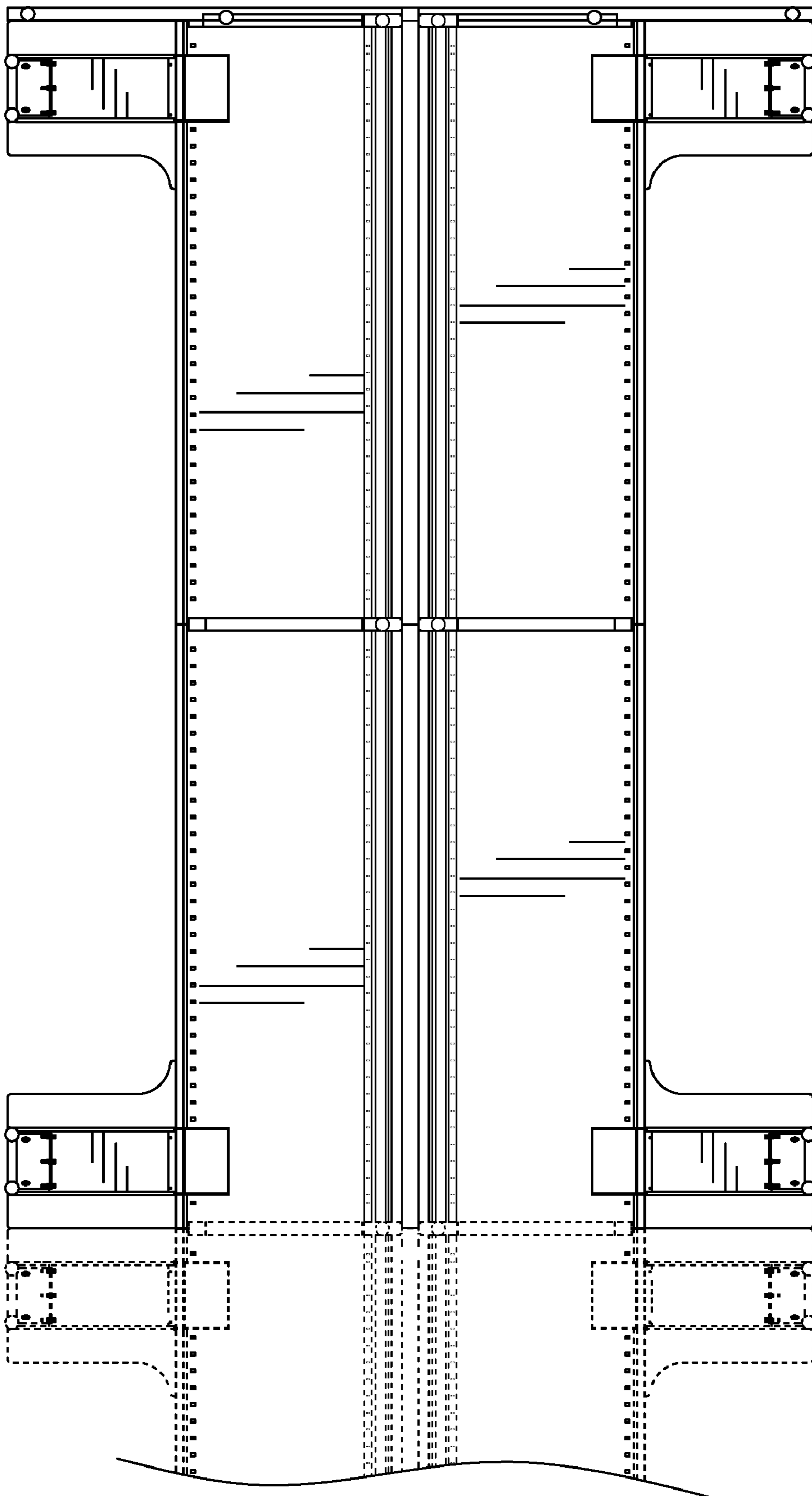


FIG. 7

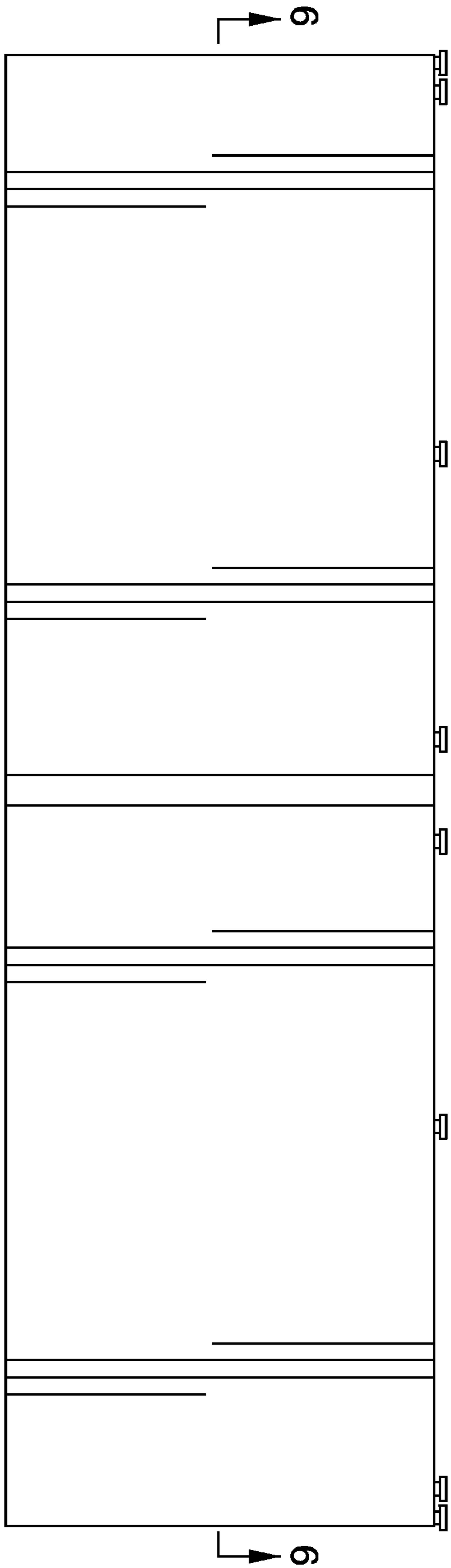


FIG. 8



FIG. 9

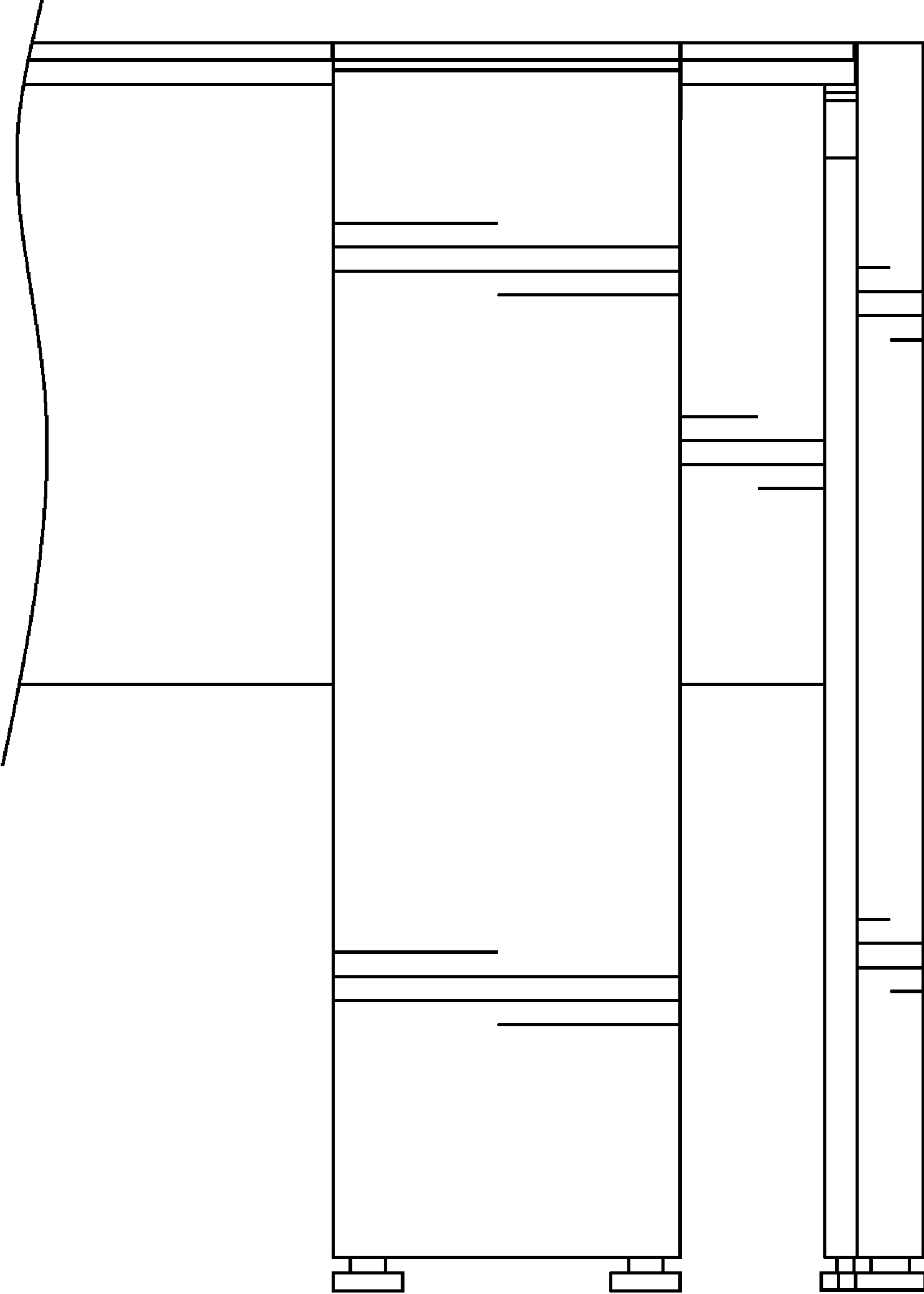


FIG. 10

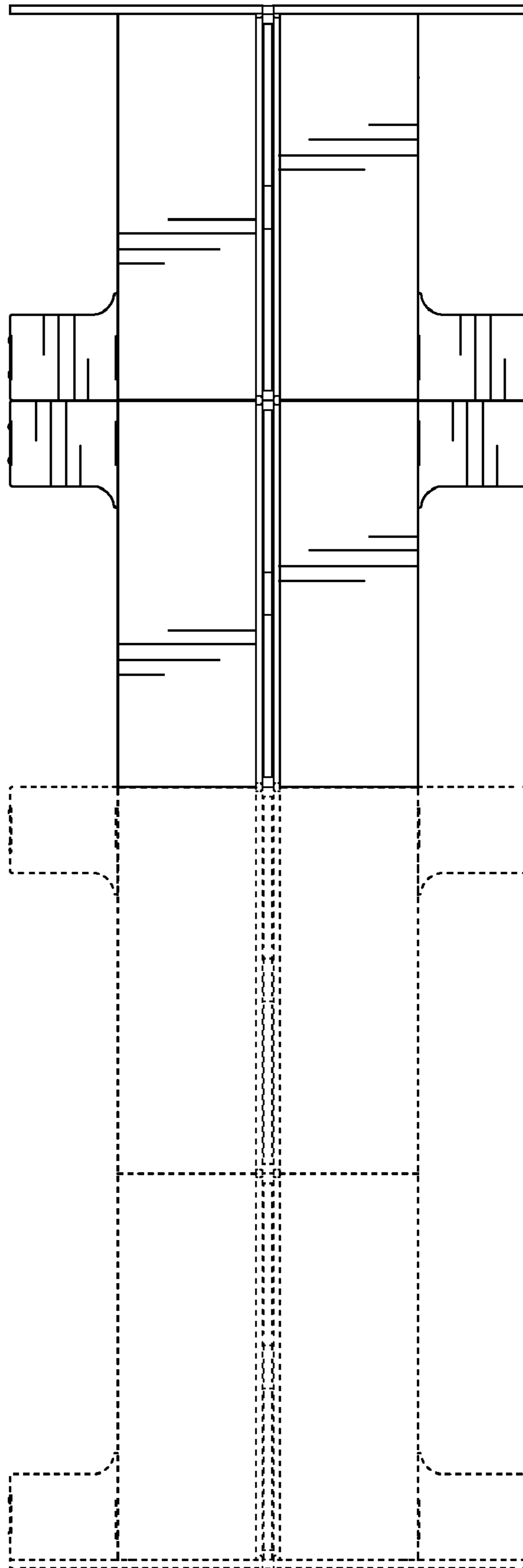


FIG. 11

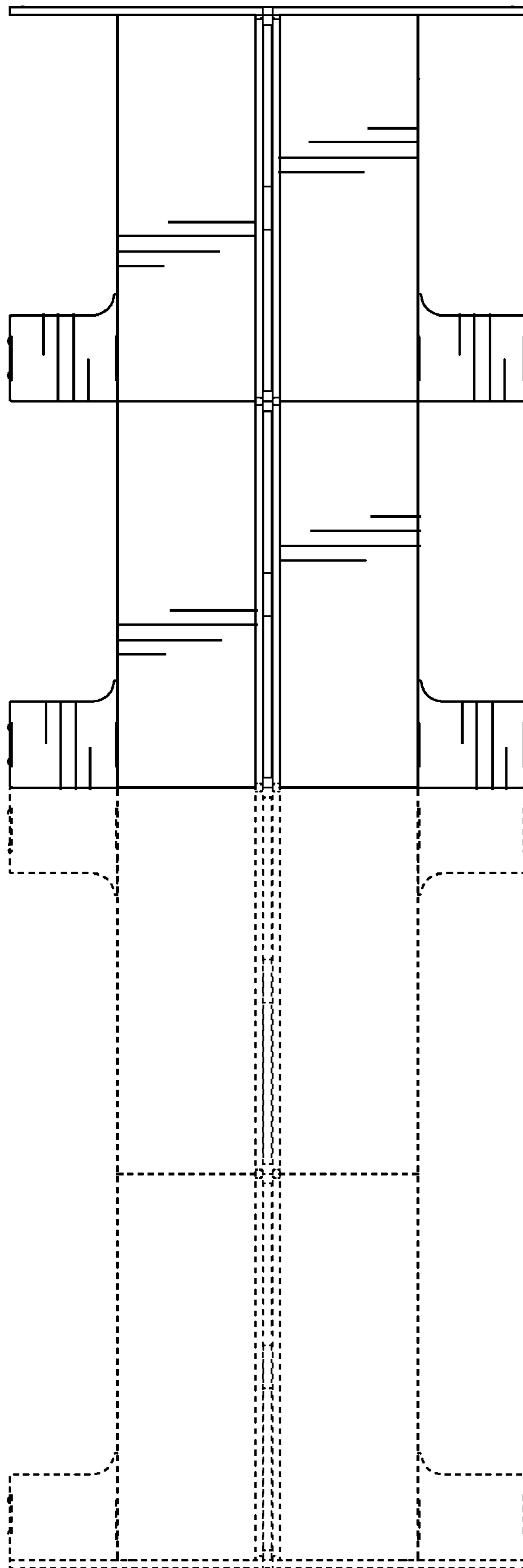


FIG. 12