



US00D609942S

(12) **United States Design Patent**
Sexton

(10) **Patent No.:** **US D609,942 S**

(45) **Date of Patent:** **** Feb. 16, 2010**

(54) **FLAT SCREEN TV CONSOLE**

(75) Inventor: **James S. Sexton**, San Ramon, CA (US)

(73) Assignee: **Z-Line Designs, Inc.**, San Ramon, CA (US)

(**) Term: **14 Years**

(21) Appl. No.: **29/334,987**

(22) Filed: **Apr. 6, 2009**

Related U.S. Application Data

(63) Continuation of application No. 29/318,881, filed on May 29, 2008, now Pat. No. Des. 591,089.

(51) **LOC (9) Cl.** **06-04**

(52) **U.S. Cl.** **D6/477**

(58) **Field of Classification Search** D6/474, D6/477-479; 108/59, 91-92, 96; 211/40, 211/41.12, 42, 49.1, 50, 85.2, 90.04; 206/307
See application file for complete search history.

(56) **References Cited**

U.S. PATENT DOCUMENTS

D474,047 S *	5/2003	Lara	D6/479
D489,548 S *	5/2004	Malizia	D6/477
D491,748 S *	6/2004	deCarolis	D6/474
D493,982 S *	8/2004	deCarolis	D6/477
D497,061 S *	10/2004	Decarolis	D6/479
D505,572 S *	5/2005	Chang	D6/474
D505,573 S *	5/2005	Malizia	D6/474
D506,329 S *	6/2005	Sexton	D6/477
D507,128 S *	7/2005	Choo	D6/477
D507,433 S *	7/2005	Portnoy	D6/477
D516,838 S *	3/2006	Portnoy	D6/477
D517,350 S *	3/2006	Sexton	D6/479
D519,757 S *	5/2006	Portnoy	D6/479
D525,052 S *	7/2006	Malizia	D6/474

D525,054 S *	7/2006	Stenhouse et al.	D6/479
D539,565 S *	4/2007	Sexton, III	D6/474
D562,593 S *	2/2008	Zambelli	D6/474
D564,260 S *	3/2008	deCarolis	D6/477
D566,992 S *	4/2008	Ongor	D6/479
D572,943 S *	7/2008	Antonioni	D6/477
D572,944 S *	7/2008	Sexton	D6/477
D587,496 S *	3/2009	Weitz	D6/477
D587,497 S *	3/2009	Zambelli	D6/477
D590,636 S *	4/2009	Ou Yang et al.	D6/477
D590,637 S *	4/2009	Portnoy	D6/477
D591,089 S *	4/2009	Sexton	D64/479
D592,428 S *	5/2009	Zambelli	D6/477
D599,584 S *	9/2009	Zambelli	D6/477

* cited by examiner

Primary Examiner—Elizabeth A Albert

Assistant Examiner—Kelley A Donnelly

(74) *Attorney, Agent, or Firm*—Townsend and Townsend and Crew LLP

(57) **CLAIM**

The ornamental design for a flat screen TV console, as shown and described.

DESCRIPTION

FIG. 1 is a perspective view of a flat screen TV console showing my new design;

FIG. 2 is a front elevational view thereof;

FIG. 3 is a rear elevational view thereof;

FIG. 4 is a right side elevational view thereof;

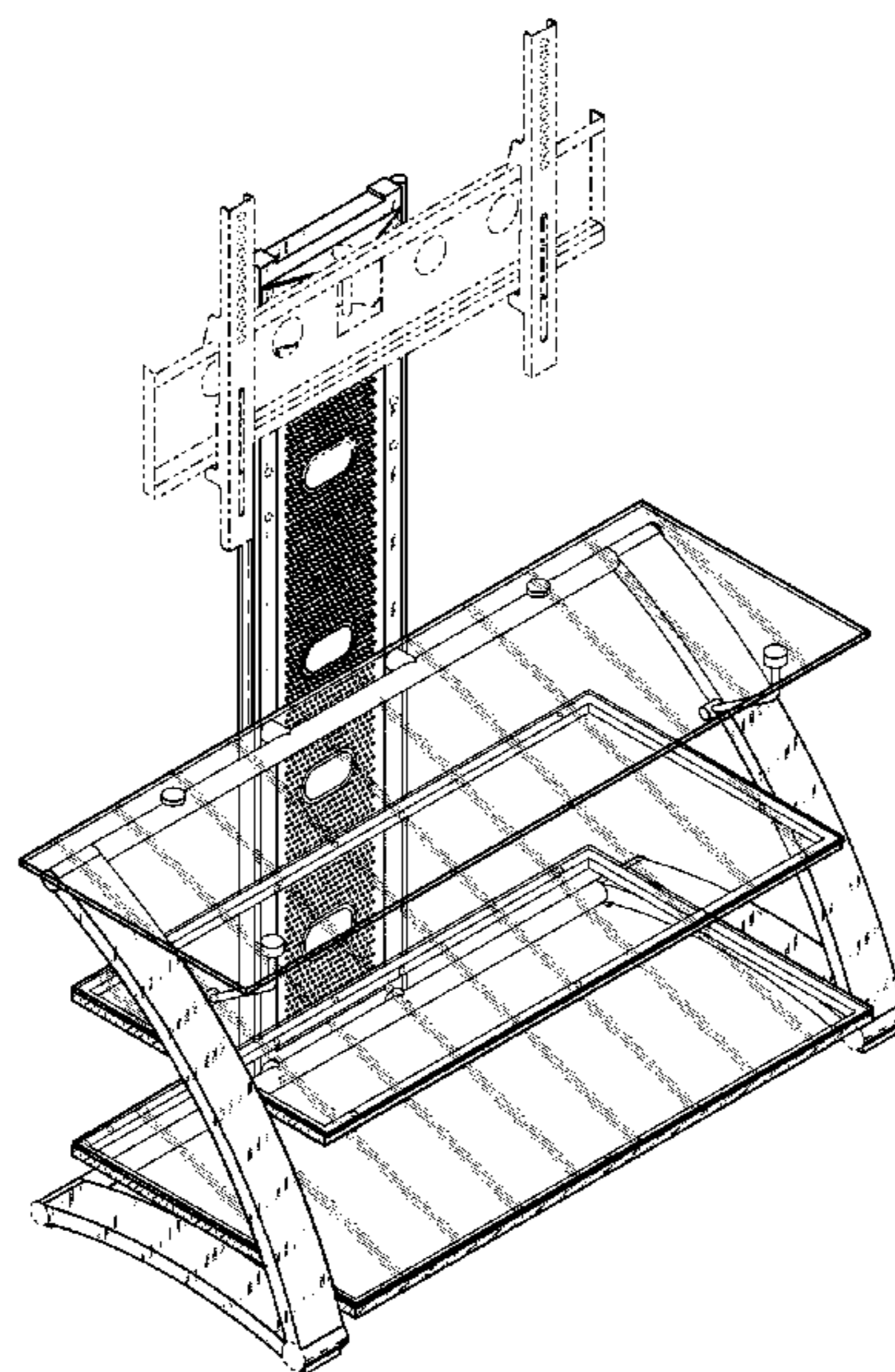
FIG. 5 is a left side elevational view thereof;

FIG. 6 is a top plan view thereof; and,

FIG. 7 is a bottom plan view thereof.

The broken line showings are for environmental purposes only and form no part of the claimed design.

1 Claim, 5 Drawing Sheets



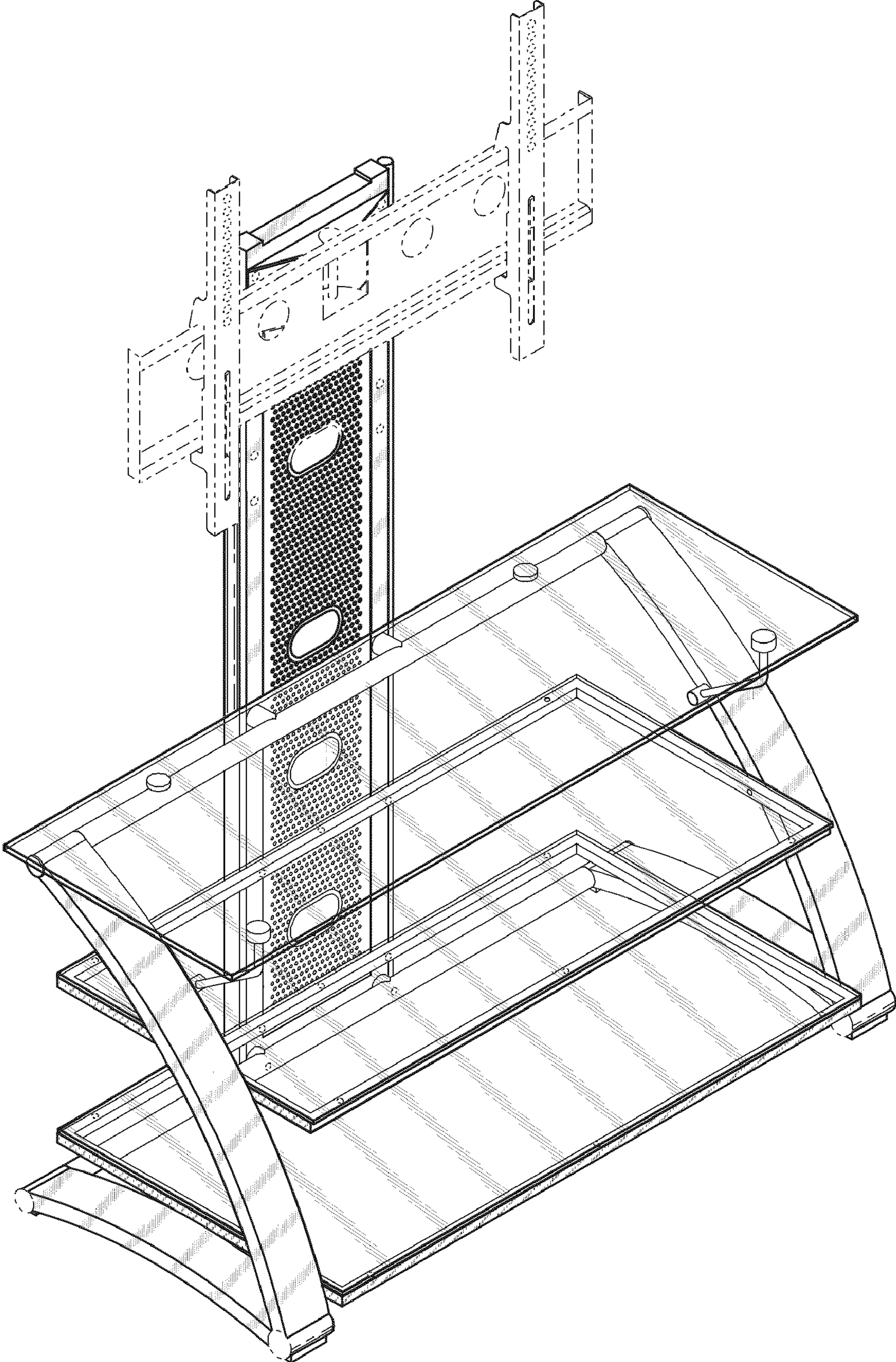


FIG. 1

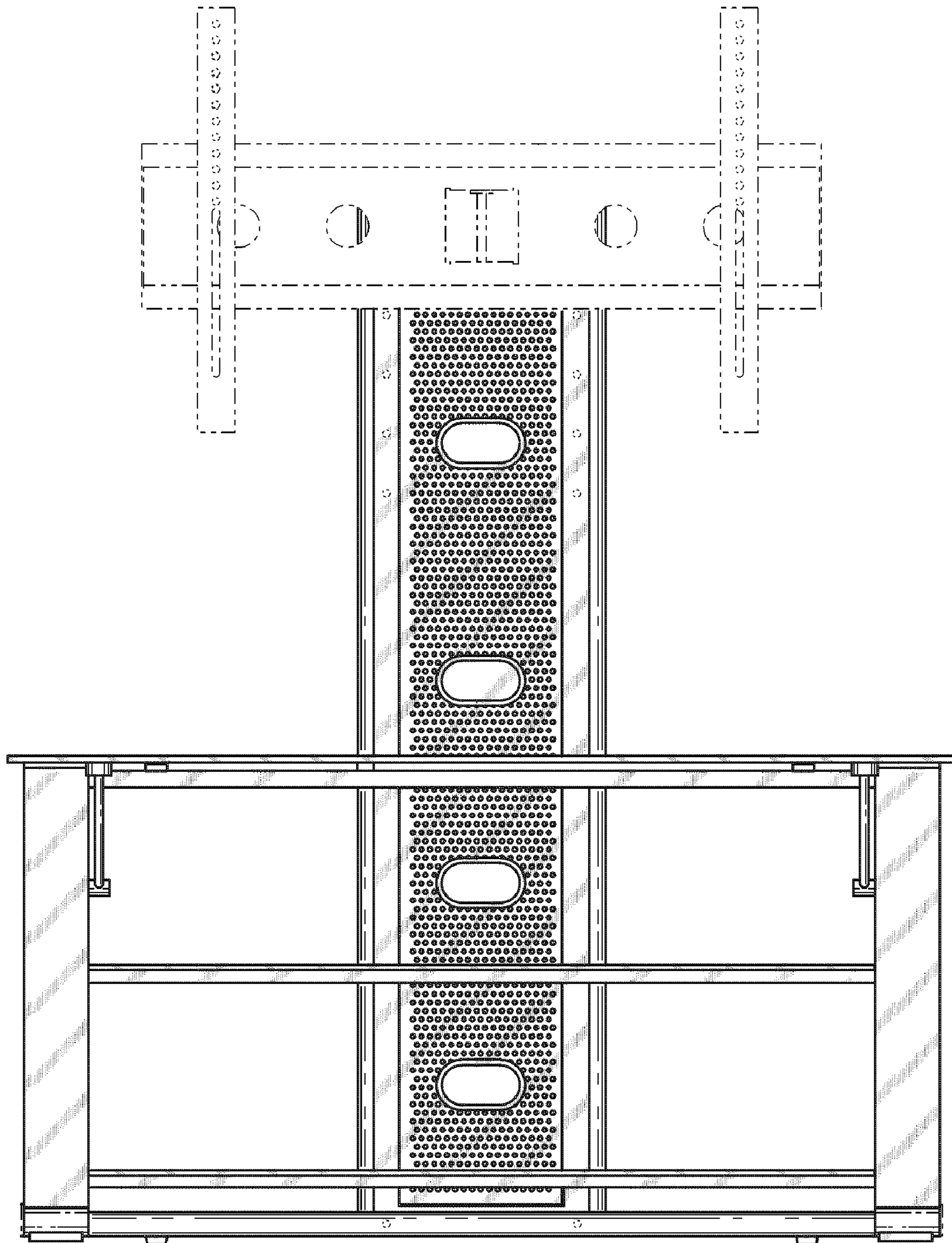


FIG. 2

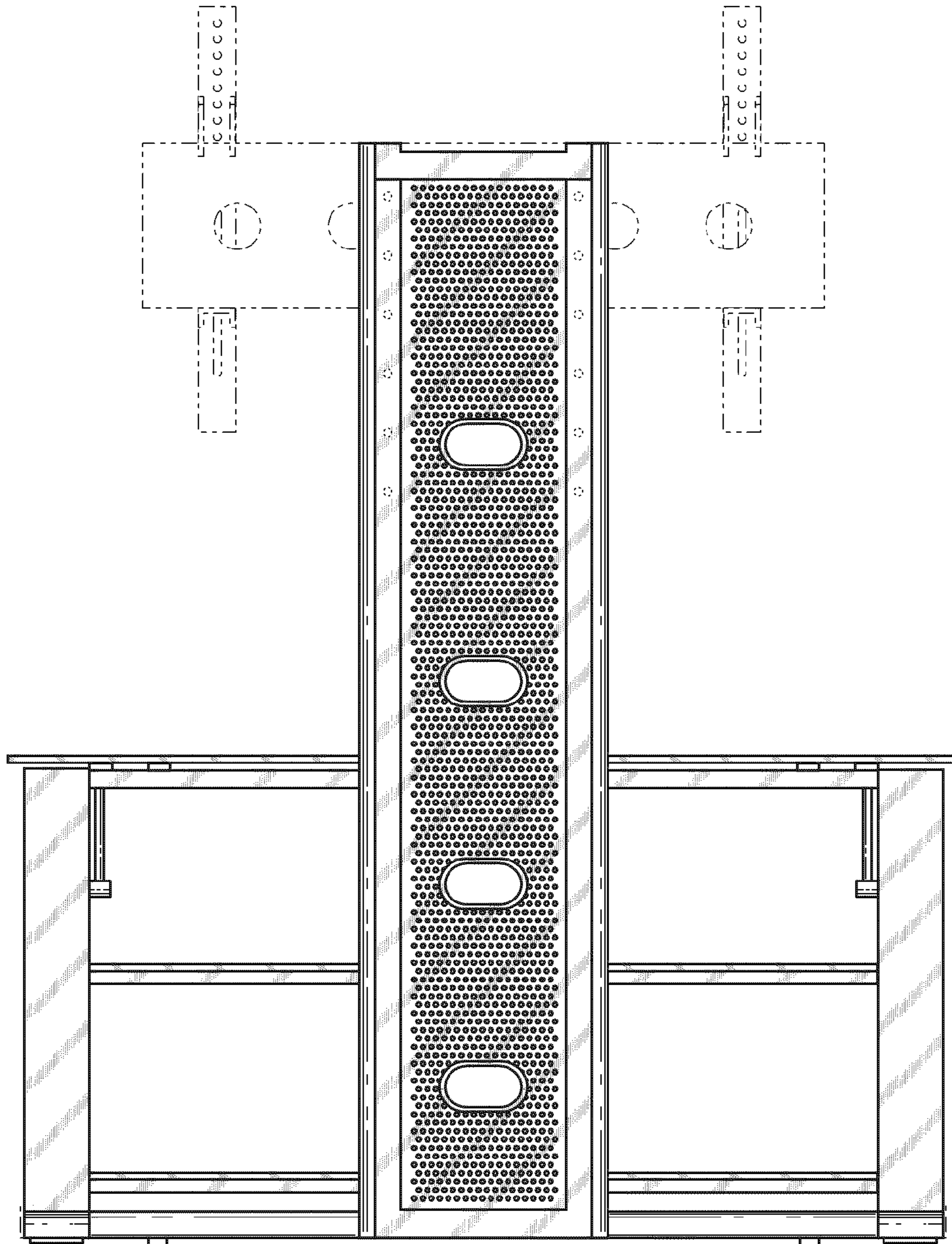


FIG. 3

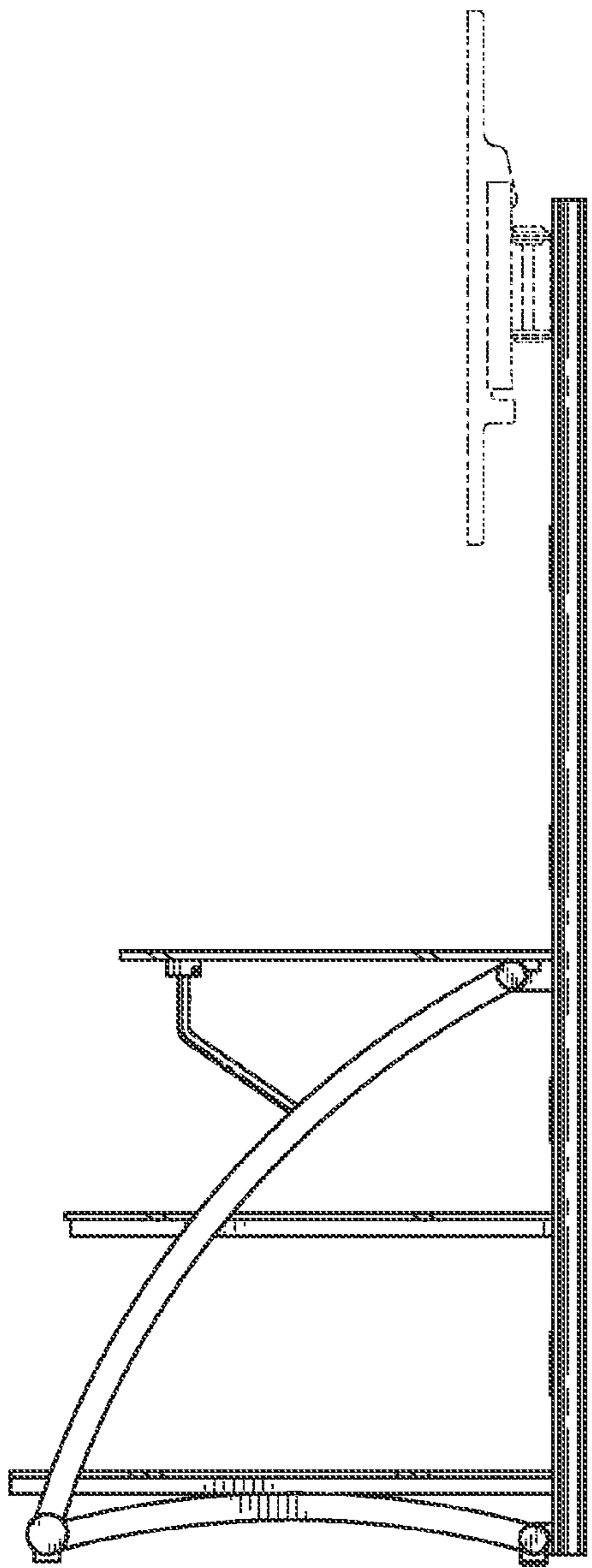


FIG. 4

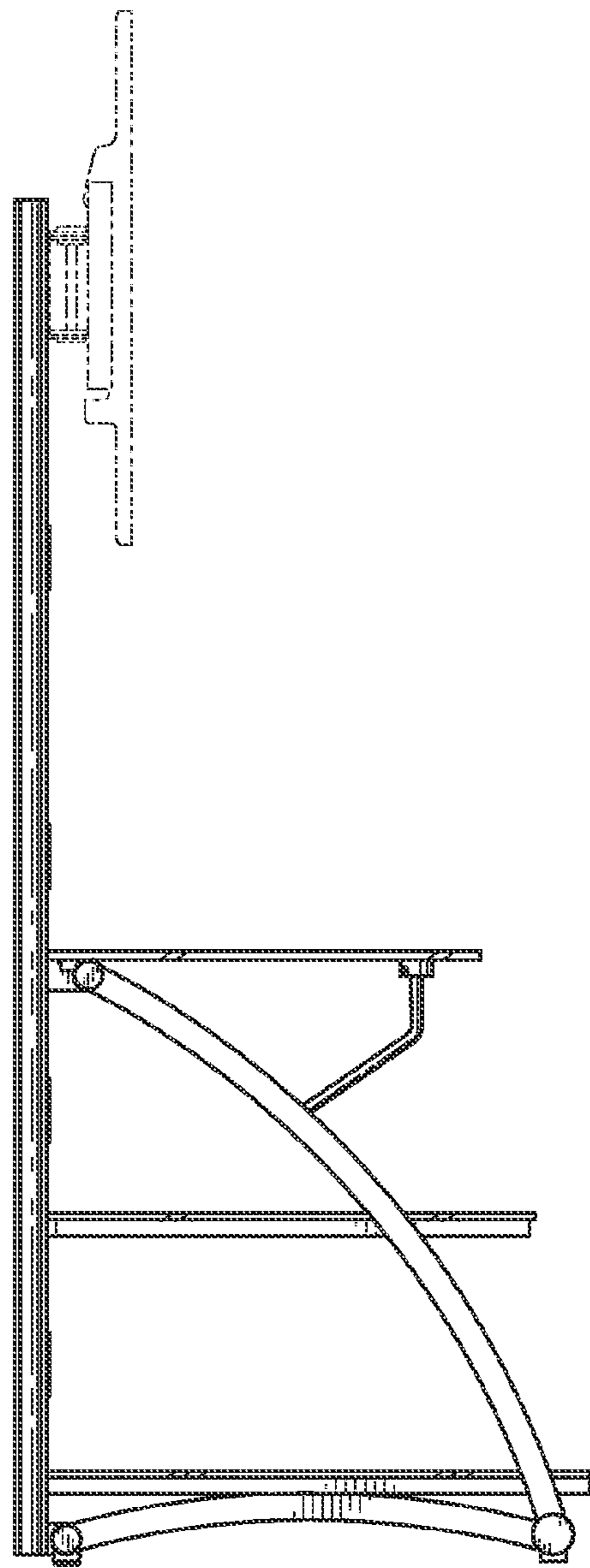


FIG. 5

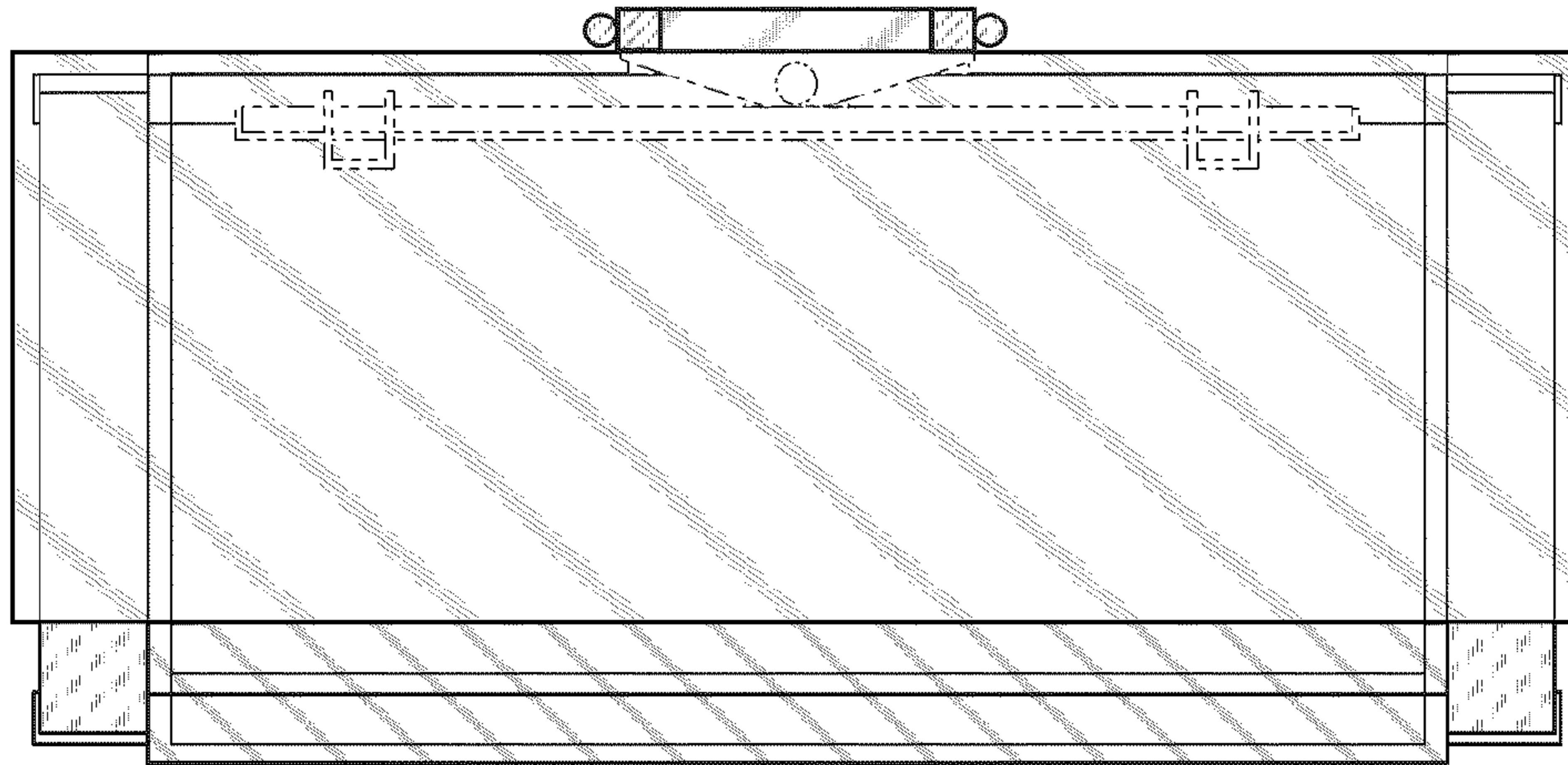


FIG. 6

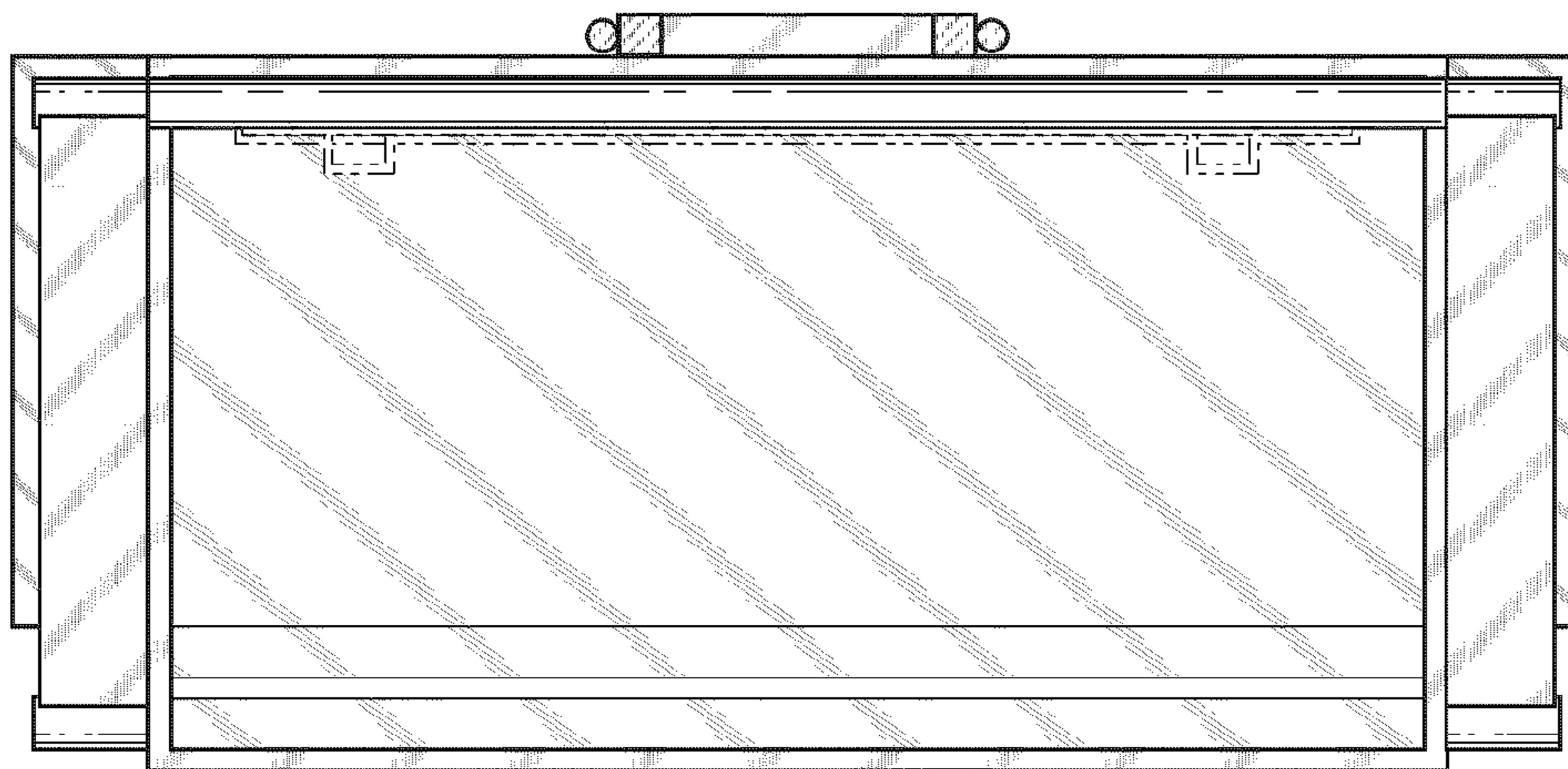


FIG. 7