



US00D609941S

(12) **United States Design Patent**  
**Schmid**

(10) **Patent No.:** **US D609,941 S**

(45) **Date of Patent:** **\*\* Feb. 16, 2010**

(54) **NEWS RACK**

(76) **Inventor:** **Heinz-Peter Schmid**, Dinkelscherbener  
Str. 12, Augsburg (DE) 86199

(\*\*) **Term:** **14 Years**

(21) **Appl. No.:** **29/311,631**

(22) **Filed:** **May 8, 2009**

(30) **Foreign Application Priority Data**

Nov. 8, 2008 (DE) ..... 402008005345

(51) **LOC (9) Cl.** ..... **06-04**

(52) **U.S. Cl.** ..... **D6/475**

(58) **Field of Classification Search** ..... D6/470-475,  
D6/396, 449, 491; 211/13, 200, 60.1; D34/5-6  
See application file for complete search history.

(56) **References Cited**

**U.S. PATENT DOCUMENTS**

D172,831 S *	8/1954	Janis	.....	D6/476
2,706,829 A *	4/1955	Charnin	.....	16/376
D195,388 S *	6/1963	Brunner	.....	D6/475
4,454,950 A *	6/1984	Stefanelli	.....	211/60.1
D326,379 S *	5/1992	Gilbey	.....	D6/475

D442,394 S *	5/2001	Walker	.....	D6/475
D453,641 S *	2/2002	Harvey	.....	D6/475
D590,635 S *	4/2009	Beckerman	.....	D6/475
D597,343 S *	8/2009	Thakur	.....	D6/476

\* cited by examiner

*Primary Examiner*—Elizabeth A Albert

*Assistant Examiner*—Kelley A Donnelly

(74) *Attorney, Agent, or Firm*—Bacon & Thomas, PLLC

(57) **CLAIM**

The ornamental design for a news rack, as shown and described.

**DESCRIPTION**

FIG. 1 a perspective, front view of the news rack,

FIG. 2 a perspective, rear view of the news rack,

FIG. 3 a front view of the news rack,

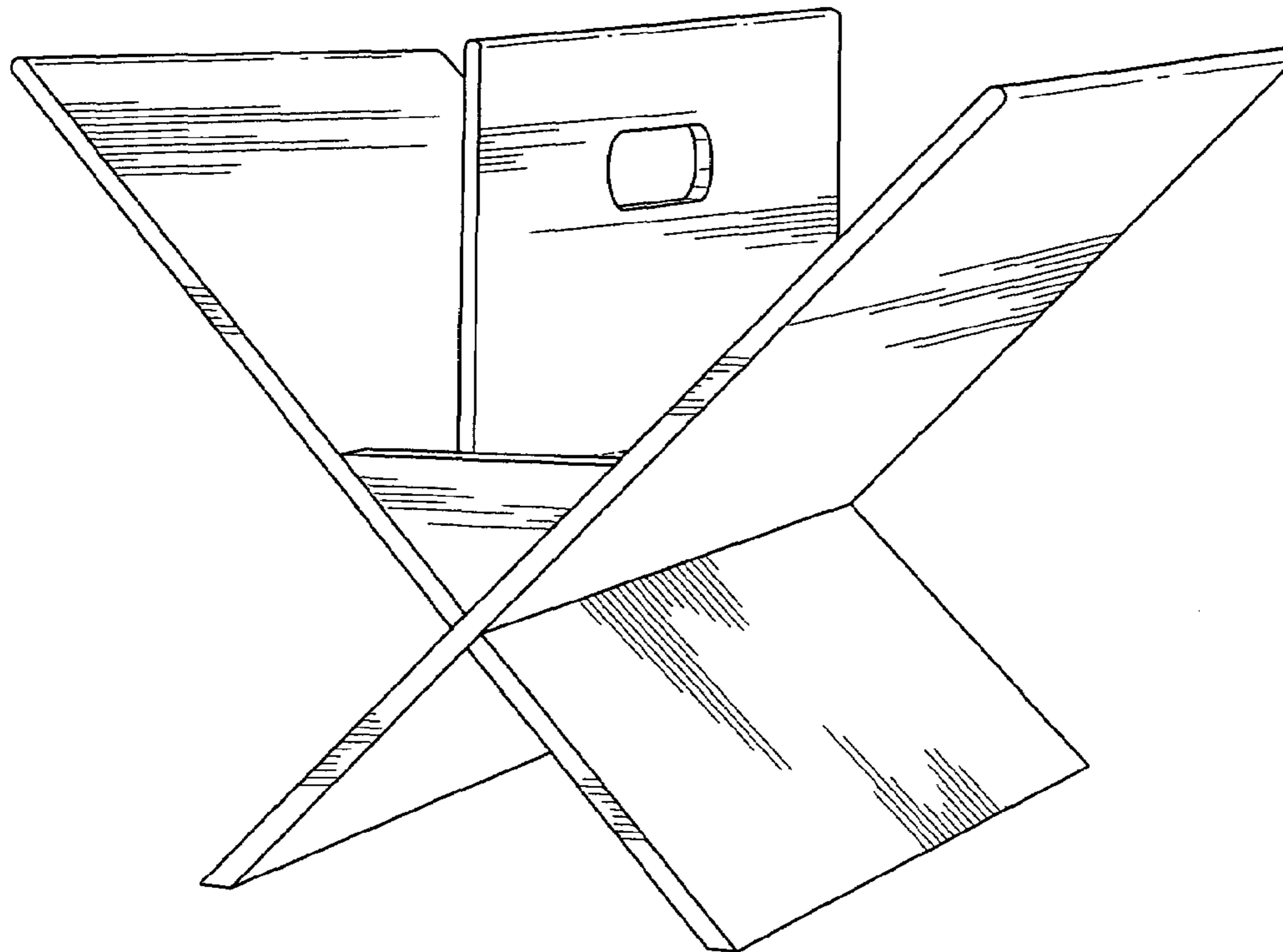
FIG. 4 a side view of the news rack,

FIG. 5 a top view of the news rack; and,

FIG. 6 a bottom view of the news rack.

The broken line showing in FIGS. 1 and 5 are for environmental purposes only and from no part of the claimed design.

**1 Claim, 3 Drawing Sheets**



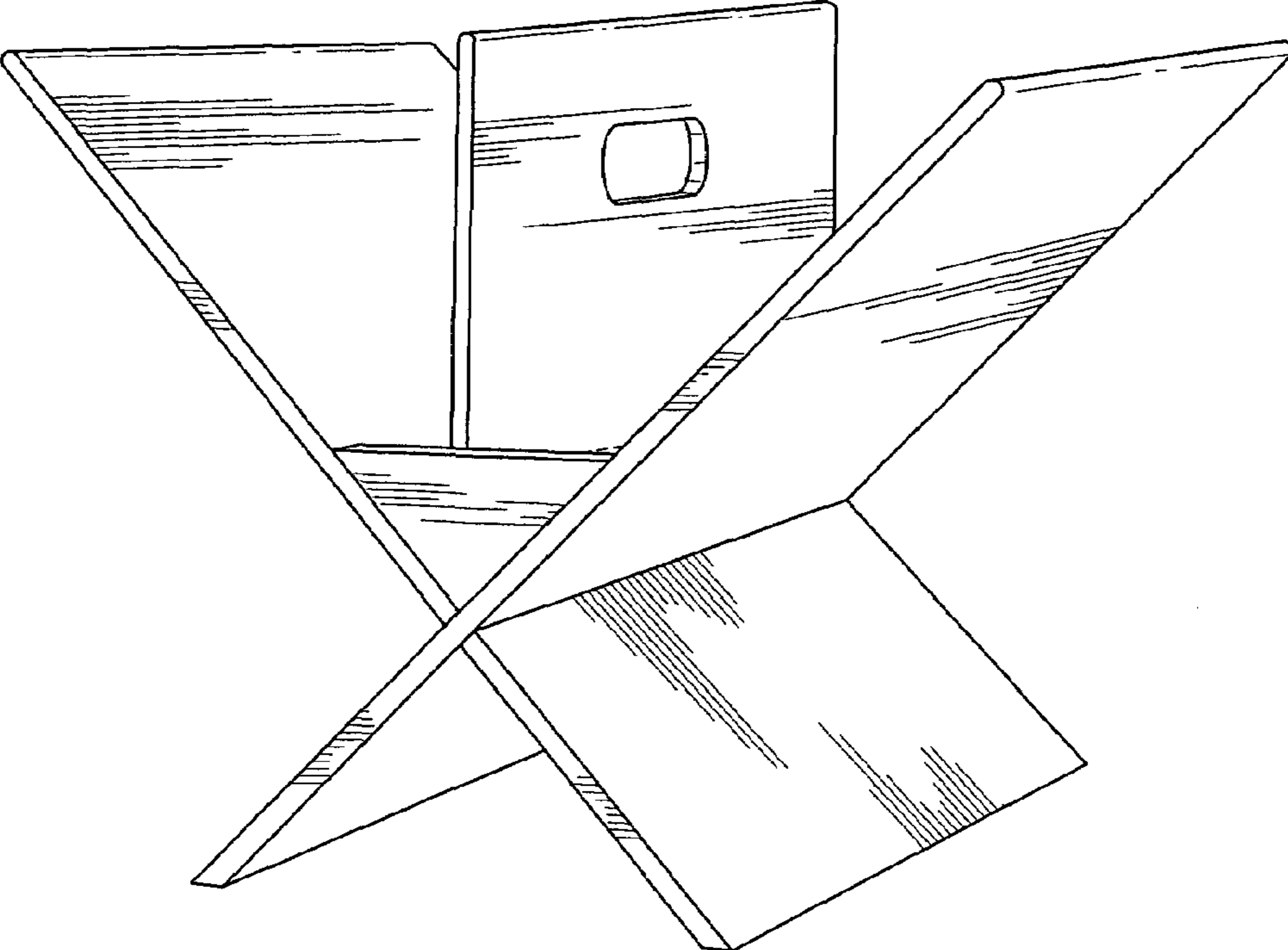


FIG. 1

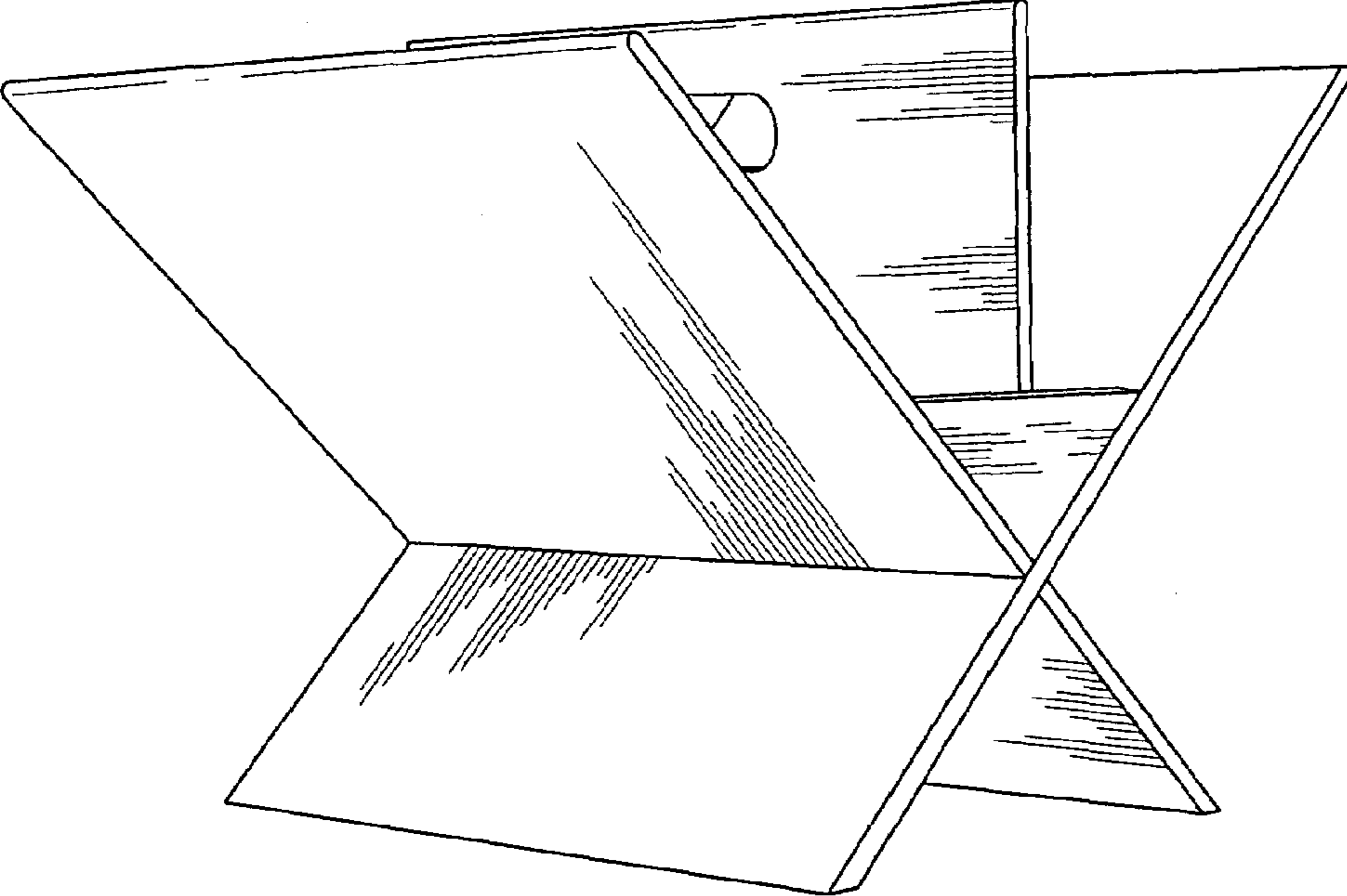


FIG. 2

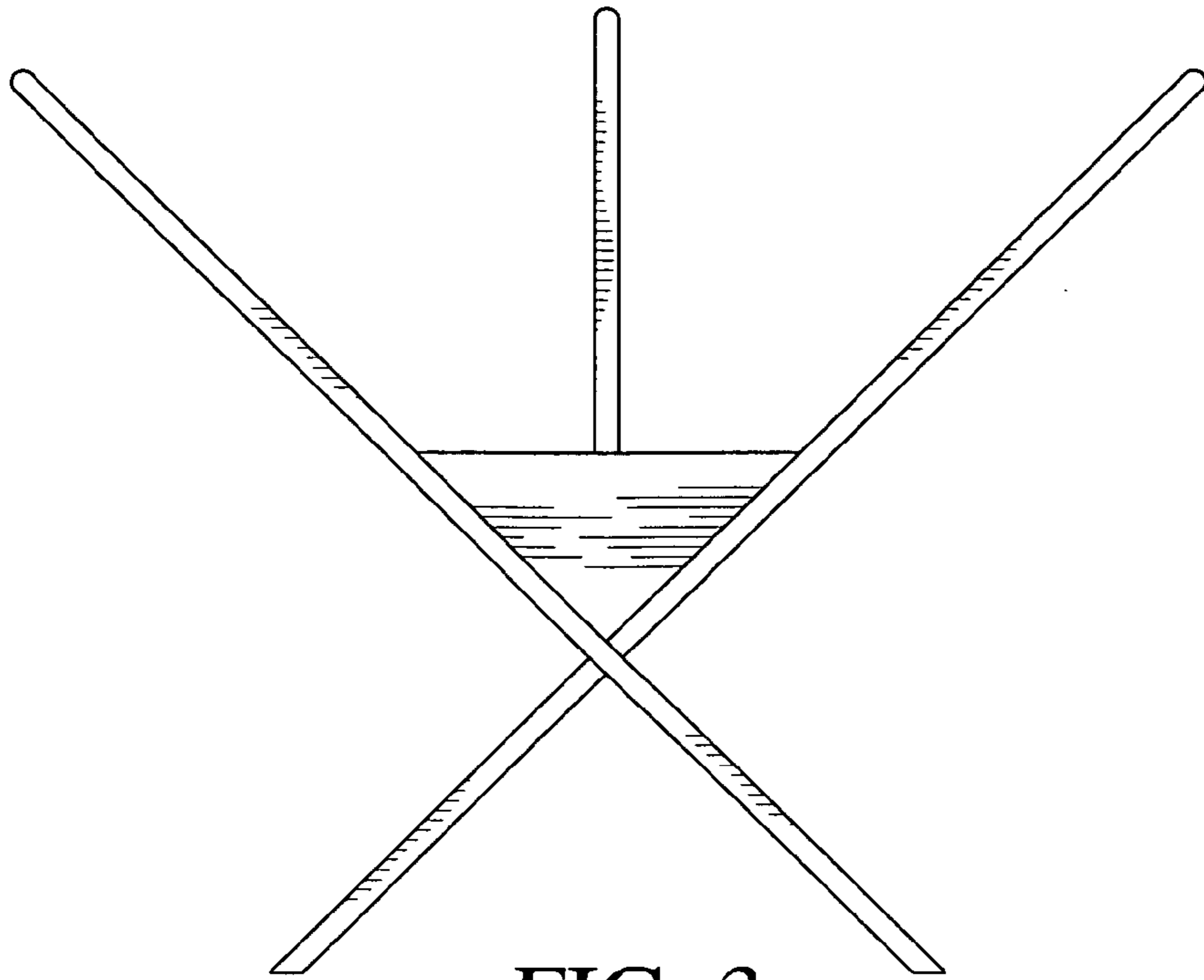


FIG. 3

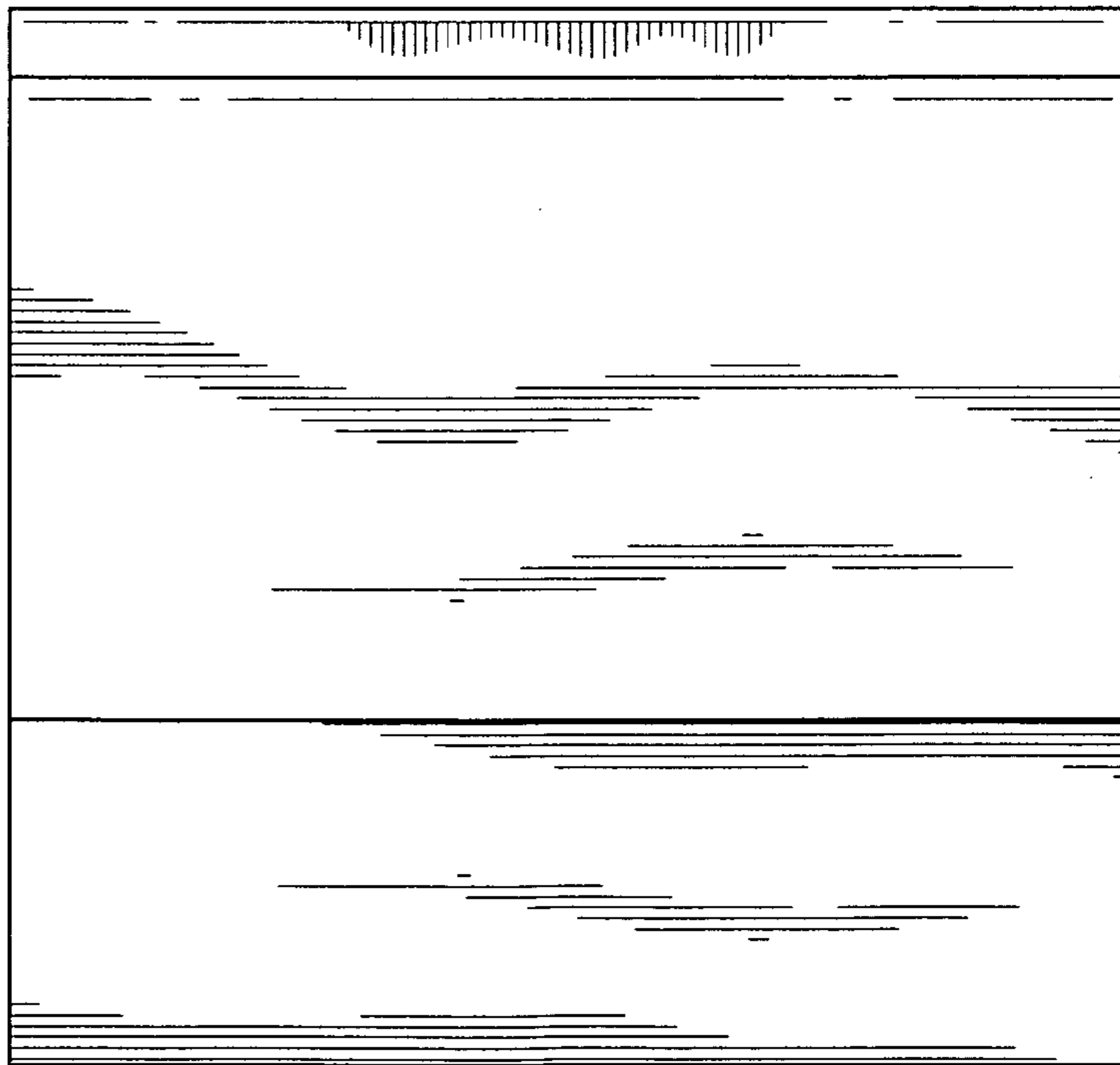


FIG. 4

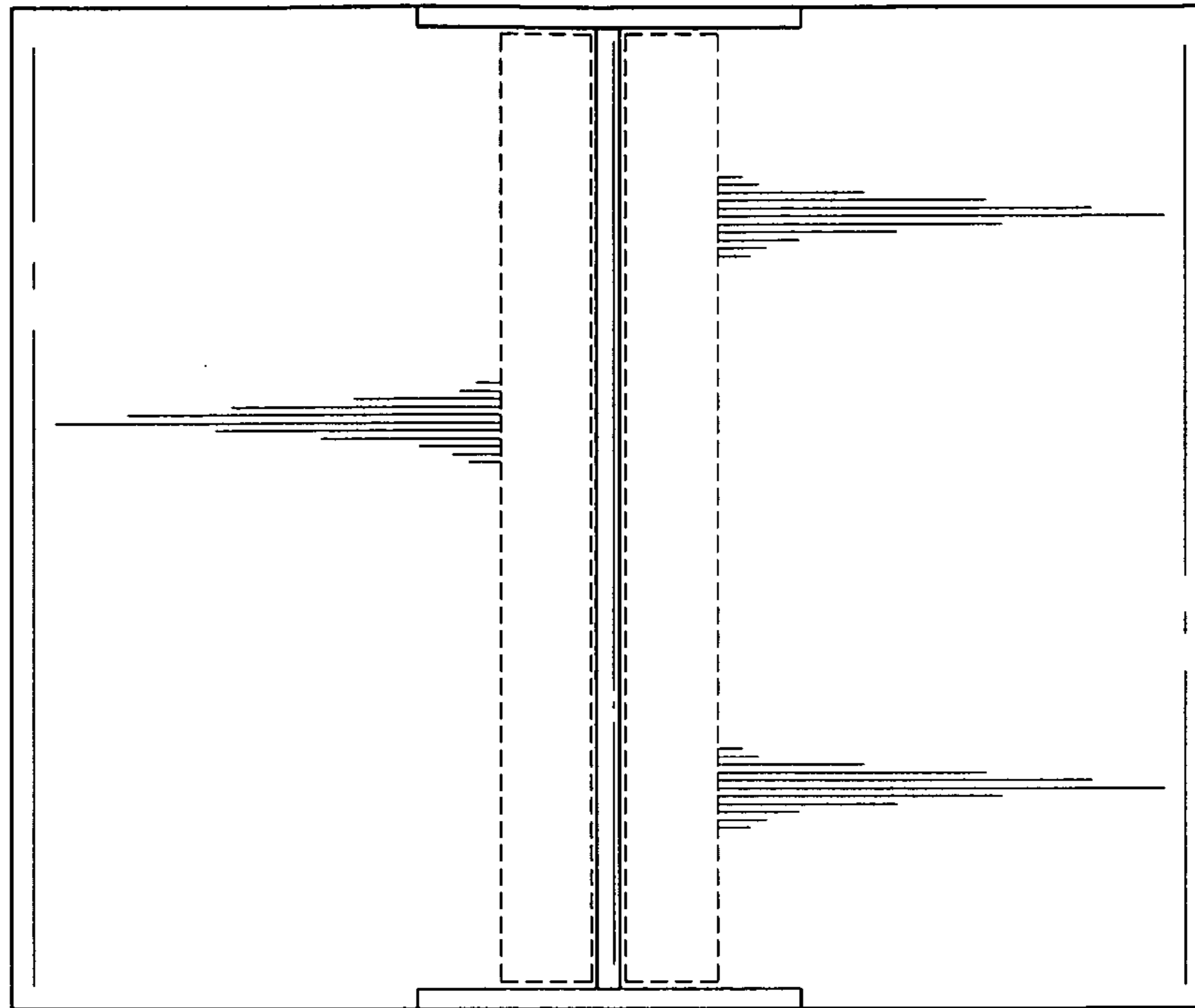


FIG. 5

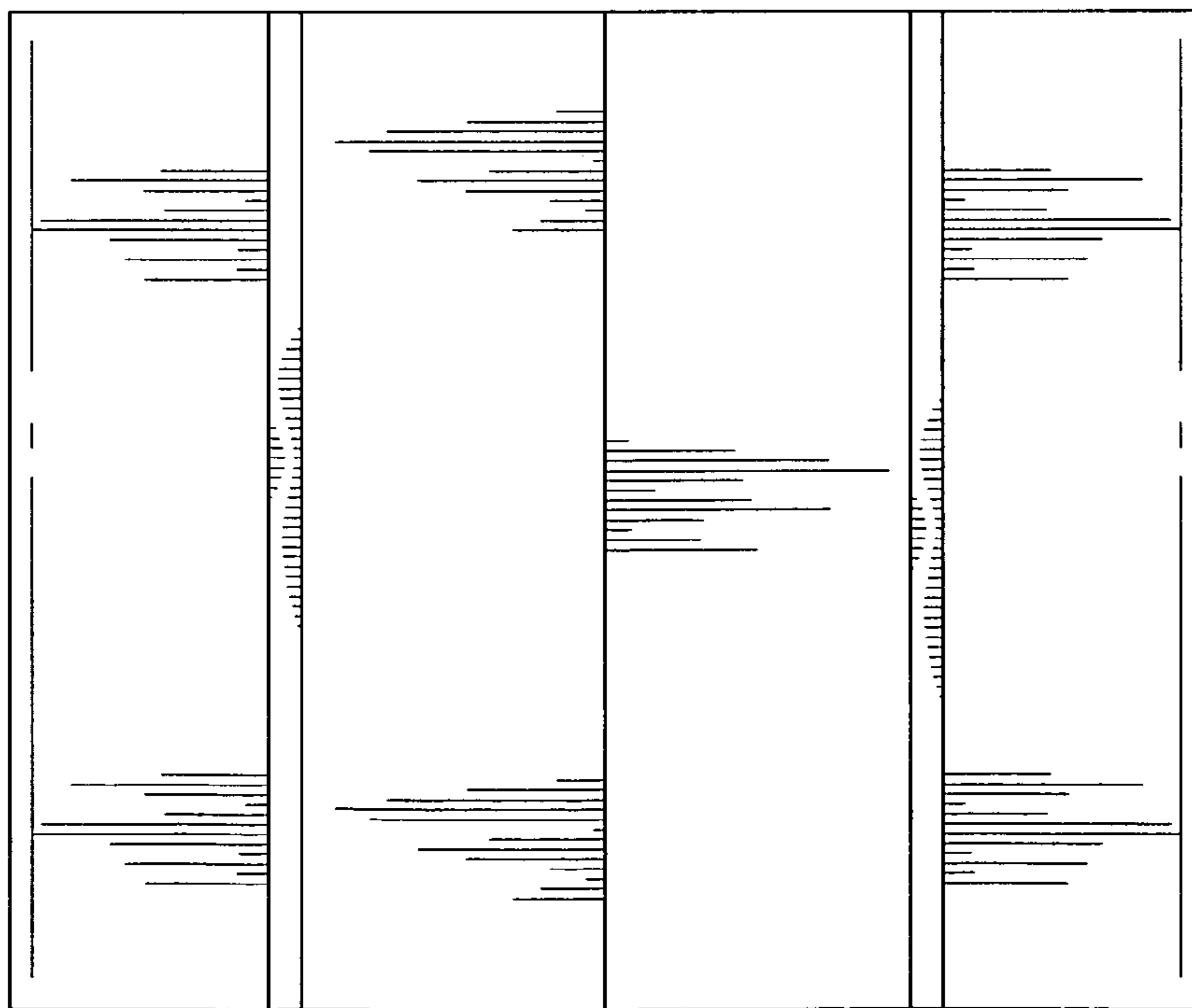


FIG. 6